

[54] PORTABLE HYDROTHERAPEUTIC BUBBLE MAT

D. 255,933 7/1980 Link D24/38
3,299,885 1/1967 Wessel 4/180

[76] Inventor: Daryl L. Clarke, 14 Nerong Rd., Lambton, N.S.W., 2299, Australia

Primary Examiner—Bernard Ansher
Attorney, Agent, or Firm—Stevens, Davis, Miller & Mosher

[**] Term: 14 Years

[21] Appl. No.: 194,402

[57] CLAIM

[22] Filed: Oct. 6, 1980

The ornamental design for a portable hydrotherapeutic bubble mat, as shown and described.

[51] Int. Cl. D24—04

DESCRIPTION

[52] U.S. Cl. D24/38

[58] Field of Search 4/180; D24/38; D7/188; D6/209, 216; 5/417, 420, 423, 449, 451; 128/66

FIG. 1 is a top plan view of a portable hydrotherapeutic bubble mat showing my new design; FIG. 2 is a bottom plan view thereof; FIG. 3 is a side elevation thereof; FIG. 4 is an end elevation thereof; FIG. 5 is a cross section taken on line 5—5 of FIG. 1; FIG. 6 is a top perspective view thereof; and FIG. 7 is a bottom perspective view thereof.

[56] References Cited

U.S. PATENT DOCUMENTS

- D. 233,263 10/1974 Grube D24/38
- D. 233,485 10/1974 Geb Klages D24/38

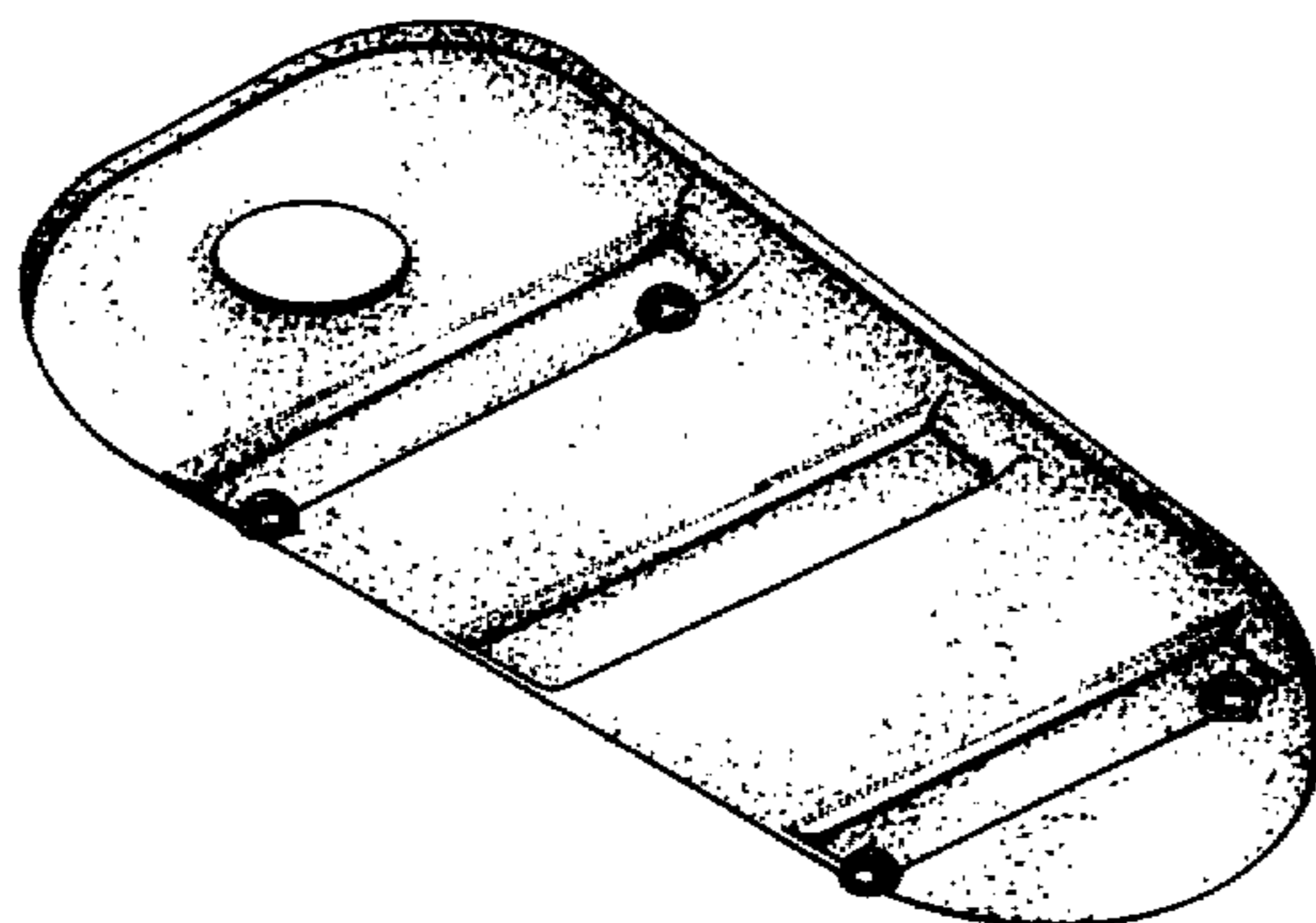
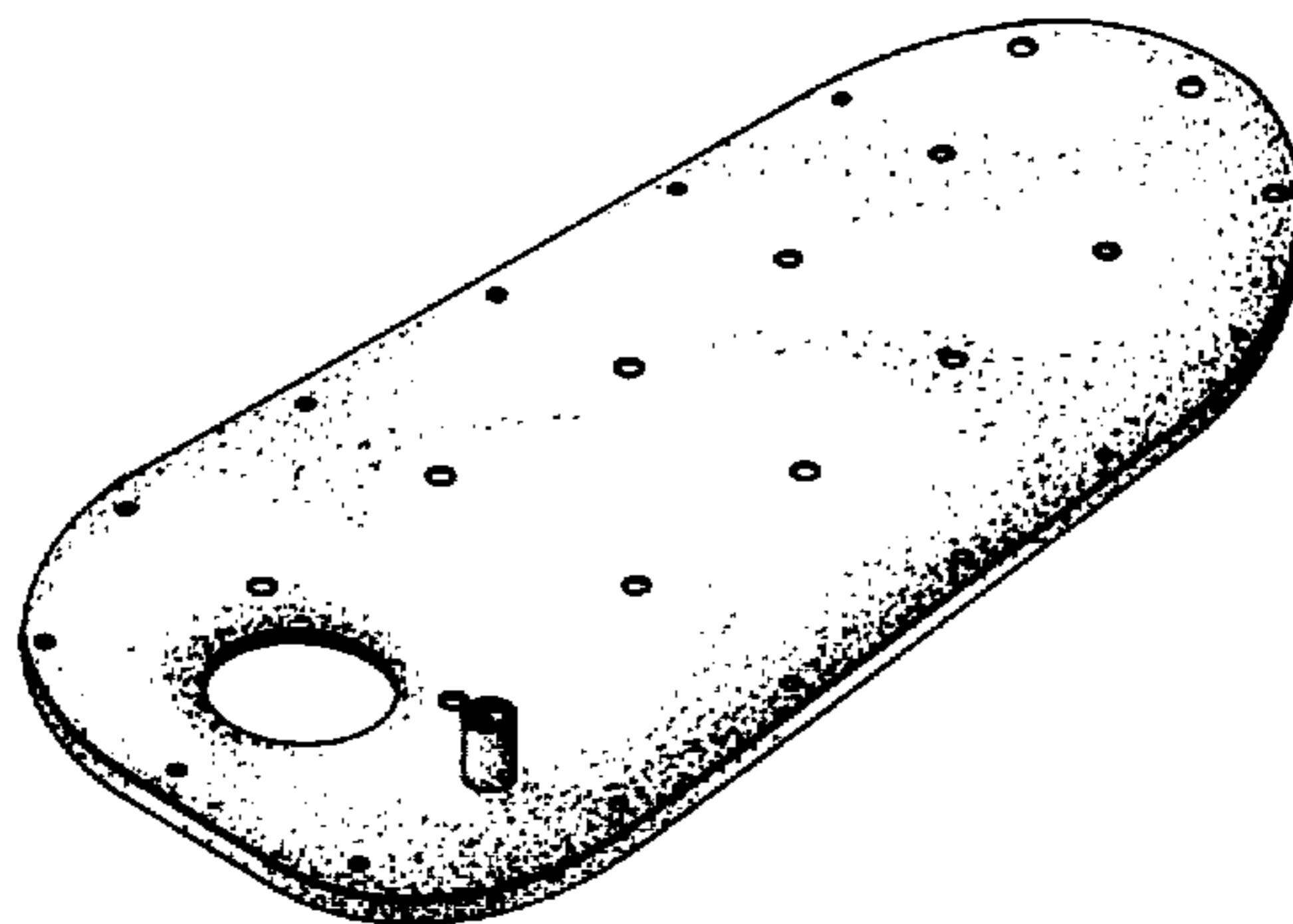


FIG. 1

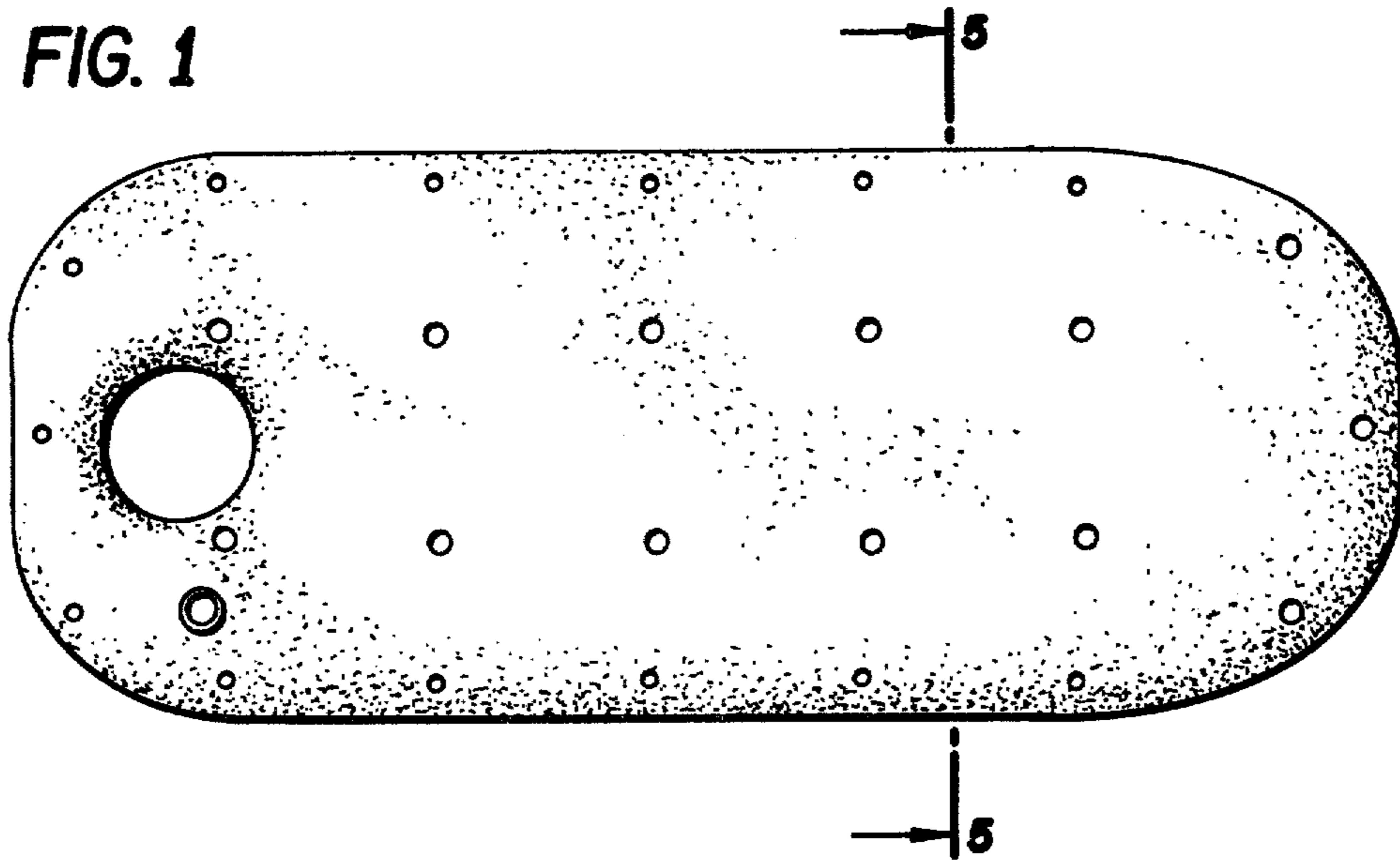


FIG. 2

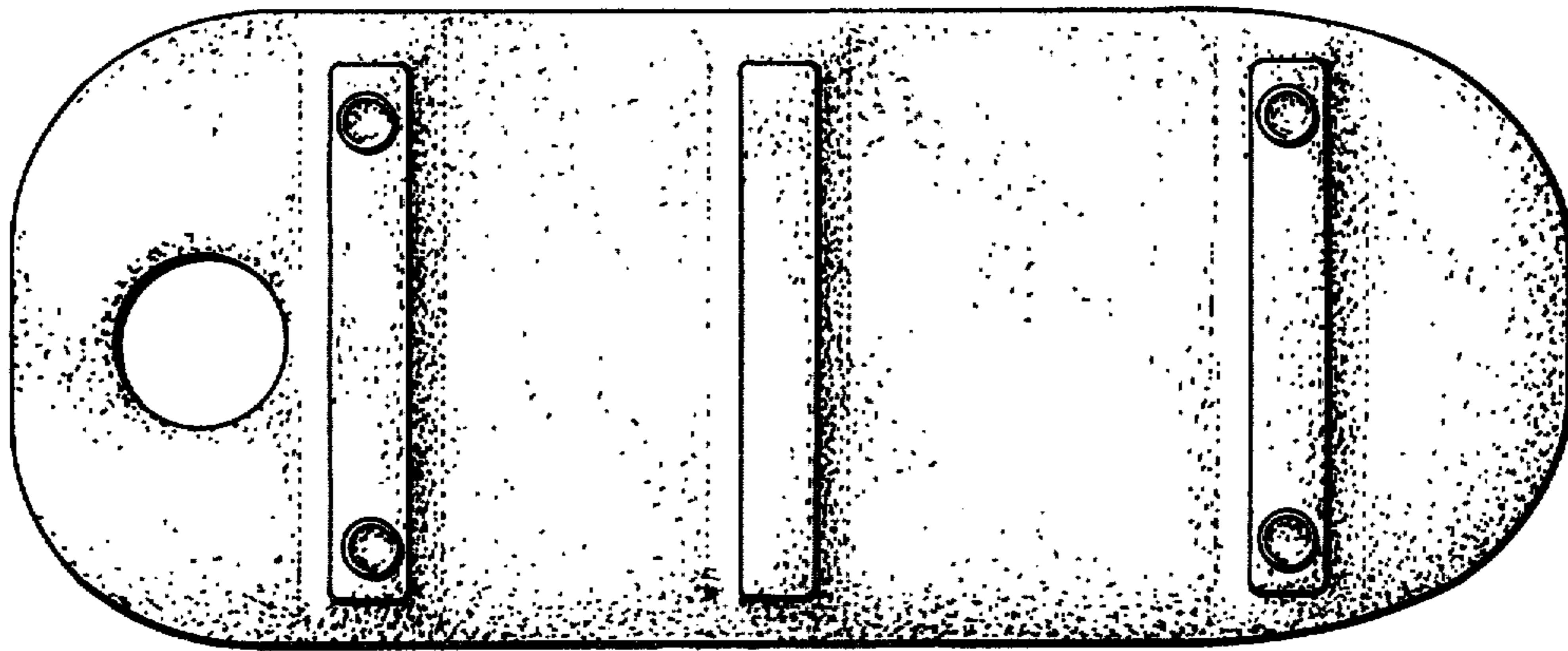


FIG. 3

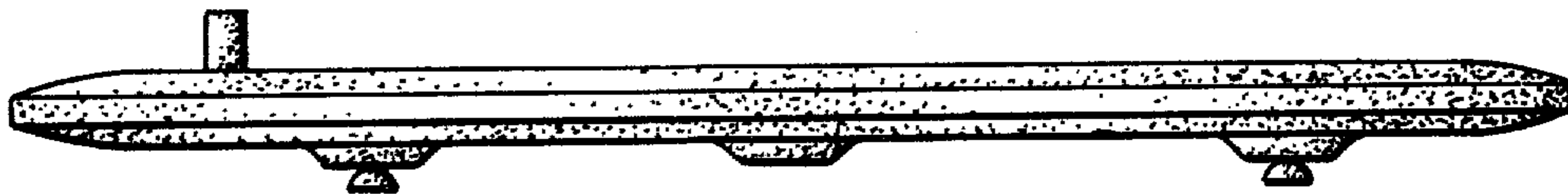
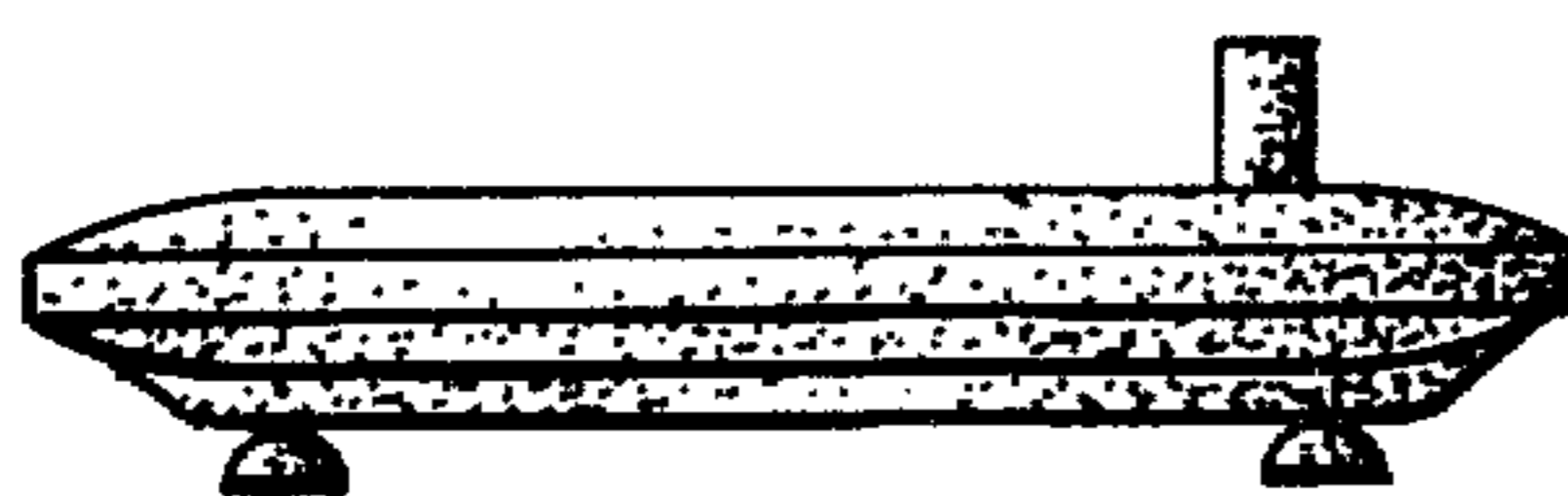


FIG. 4



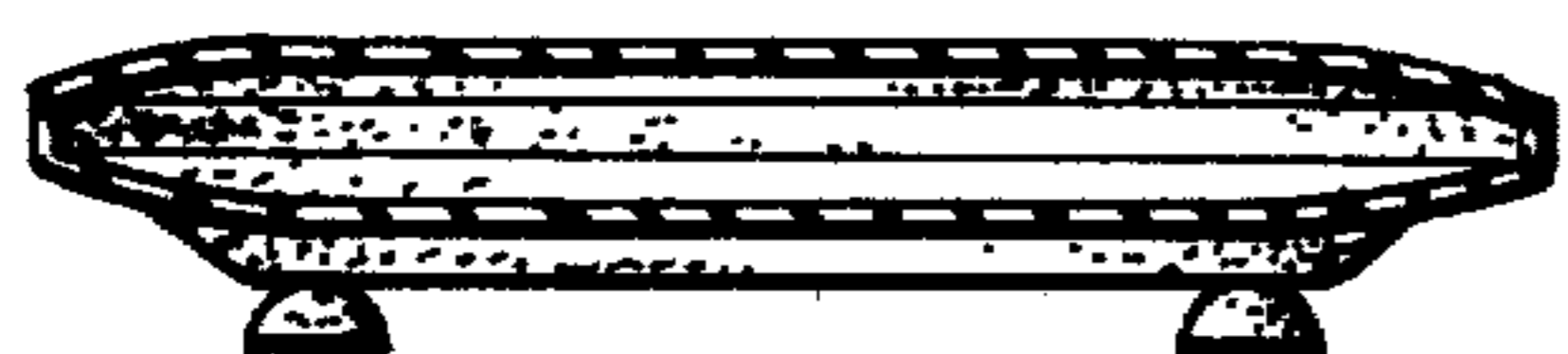


FIG. 5

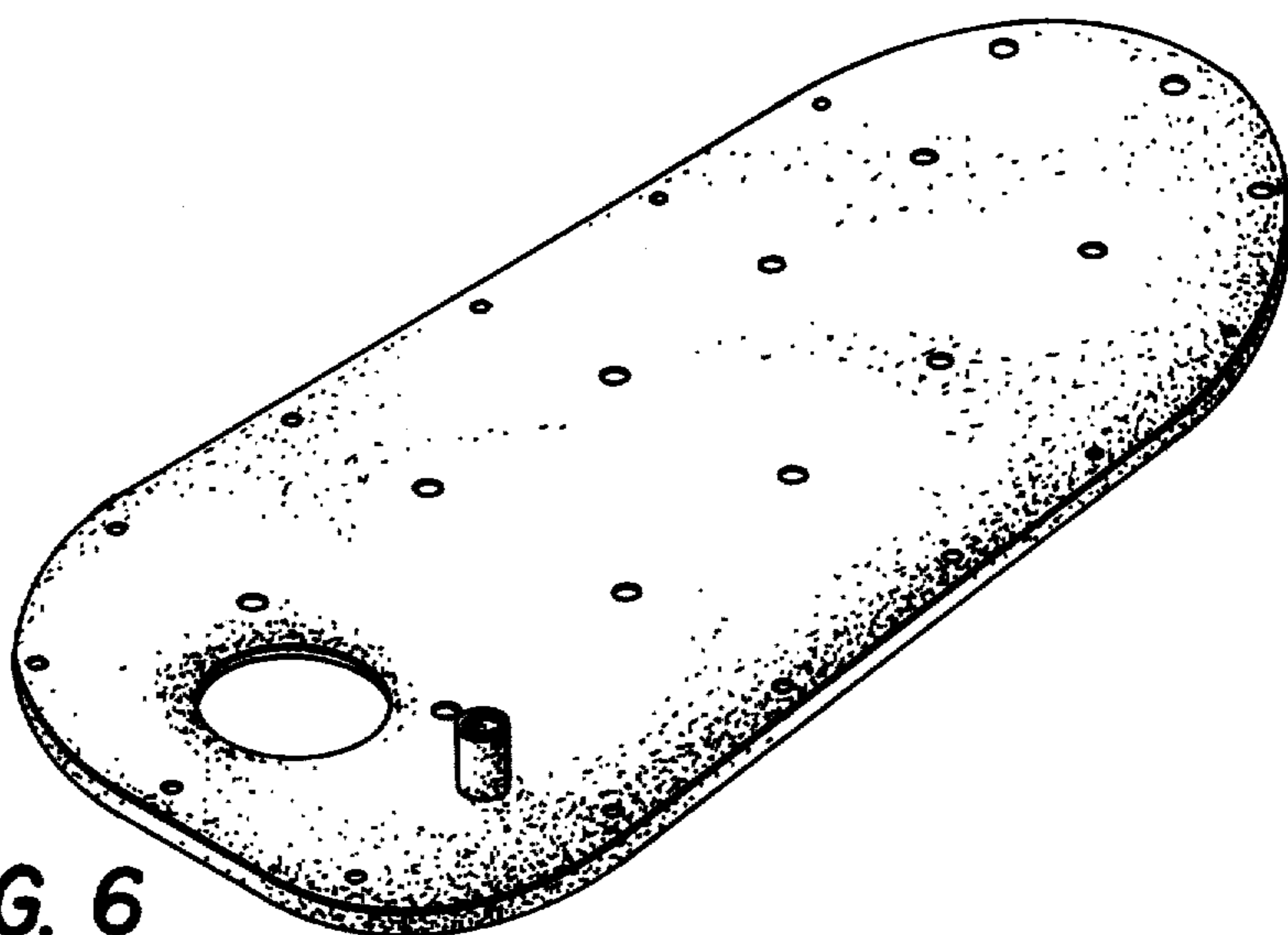


FIG. 6

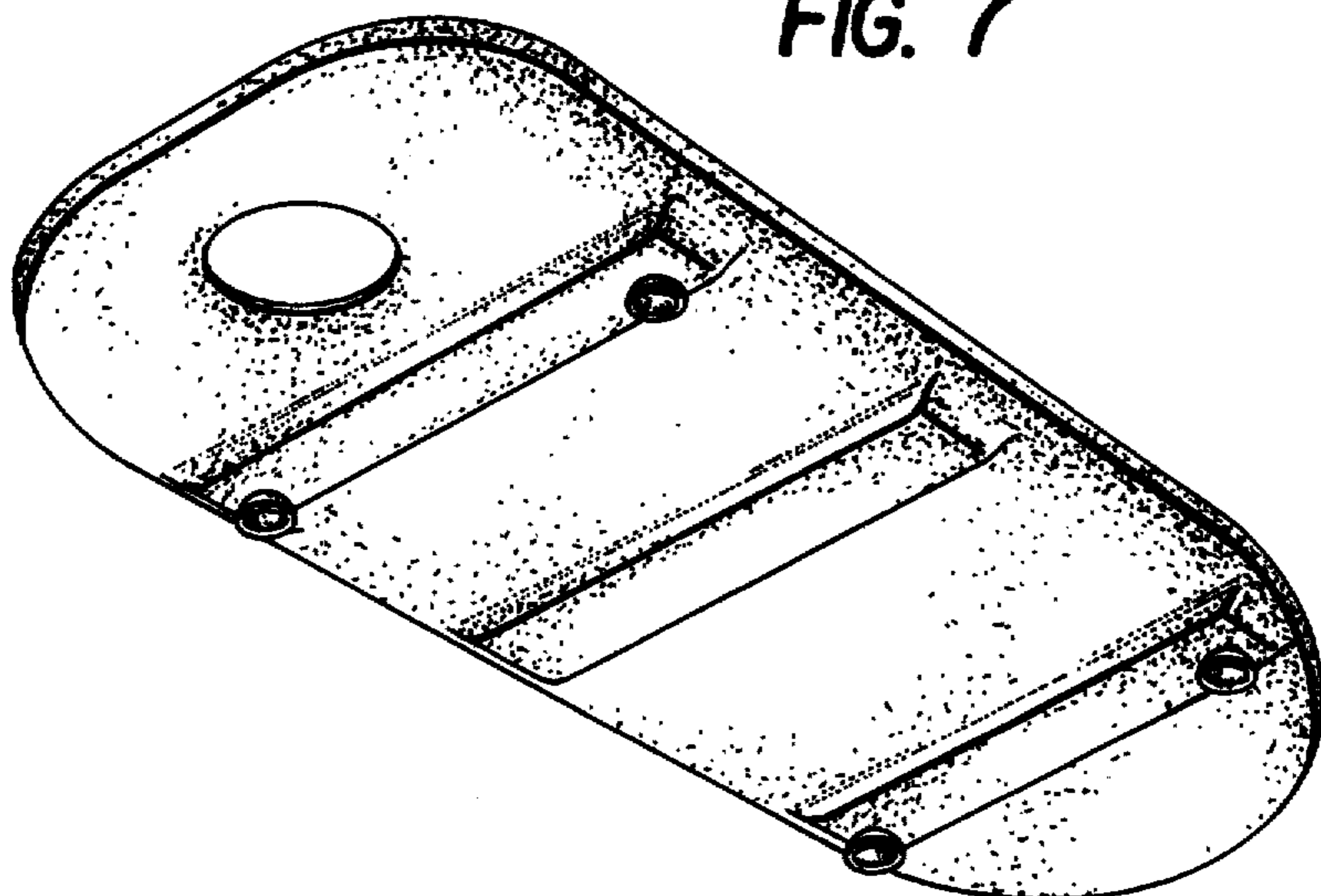


FIG. 7