

[54] DISPOSABLE SURGICAL CLAMP
[76] Inventor: John B. Marlowe, 85 Meadow Woods Rd., Great Neck, N.Y. 11020

[**] Term: 14 Years

[21] Appl. No.: 134,950

[22] Filed: Mar. 28, 1980

[51] Int. Cl. D24-02

[52] U.S. Cl. D24/27; D8/57

[58] Field of Search 128/321, 322, 326, 346; D24/27; 30/254; 433/4; D8/57

[56] References Cited

U.S. PATENT DOCUMENTS

D. 209,889	1/1968	Shannon	D24/27
D. 215,904	11/1969	Foerster	D24/27
D. 233,839	12/1974	Royse	D24/27 X
3,169,526	2/1965	Wood	128/326

3,503,397	3/1970	Fogarty et al.	24/243 R
3,533,410	10/1970	Shannon	128/326
3,735,763	5/1973	Shannon et al.	30/254 X
4,106,508	8/1978	Berlin	128/346

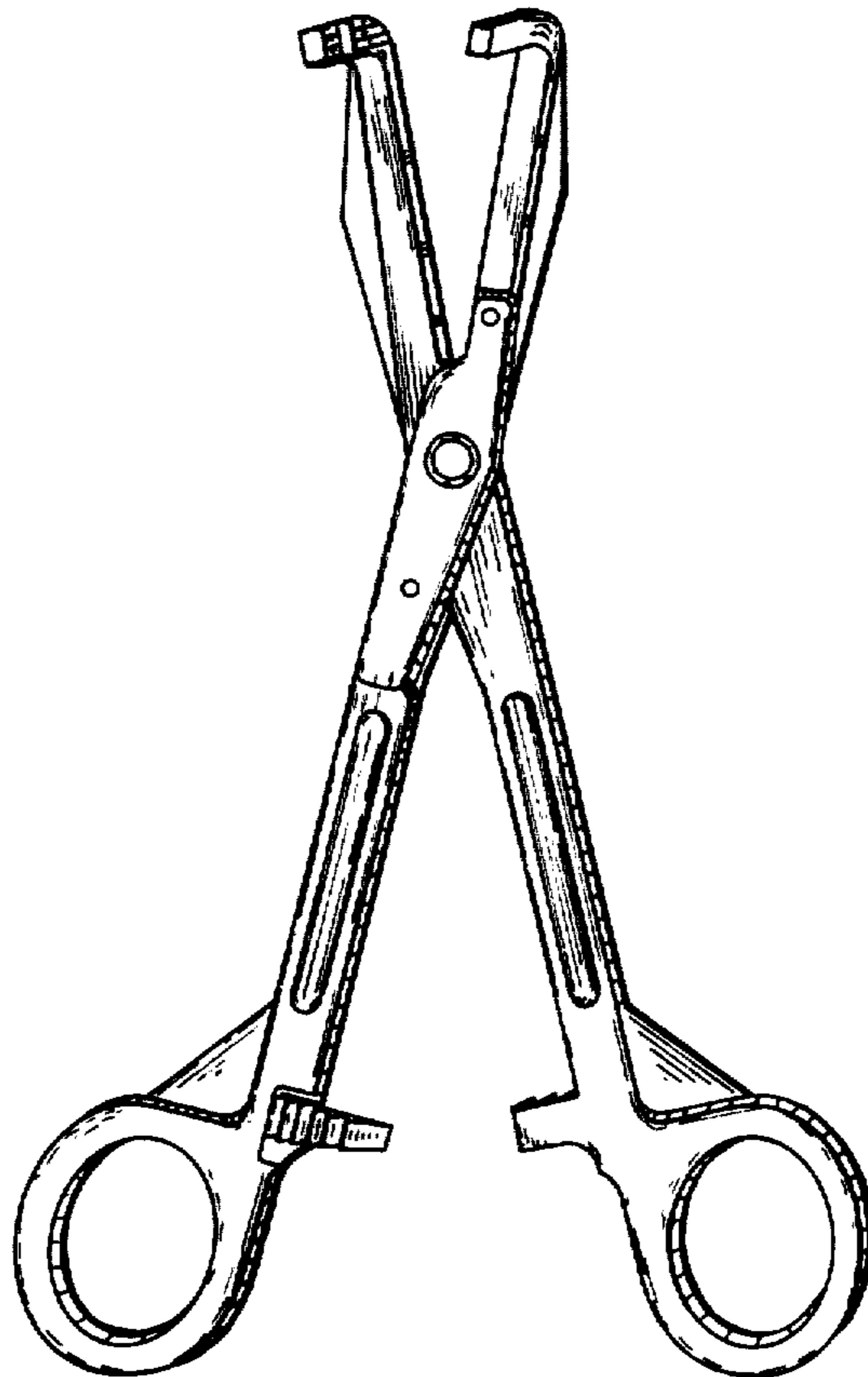
Primary Examiner—Bernard Ansher
Attorney, Agent, or Firm—John B. Marlowe

[57] CLAIM

The ornamental design for a disposable surgical clamp, as shown and described.

DESCRIPTION

FIG. 1 is a top perspective view of a disposable surgical clamp showing my new design; FIG. 2 is a side elevation thereof; FIG. 3 is a top plan view thereof; FIG. 4 is a bottom plan view thereof; FIG. 5 is a front elevation thereof; FIG. 6 is a rear elevation thereof; and FIG. 7 is an elevation as seen from the side opposite FIG. 2.



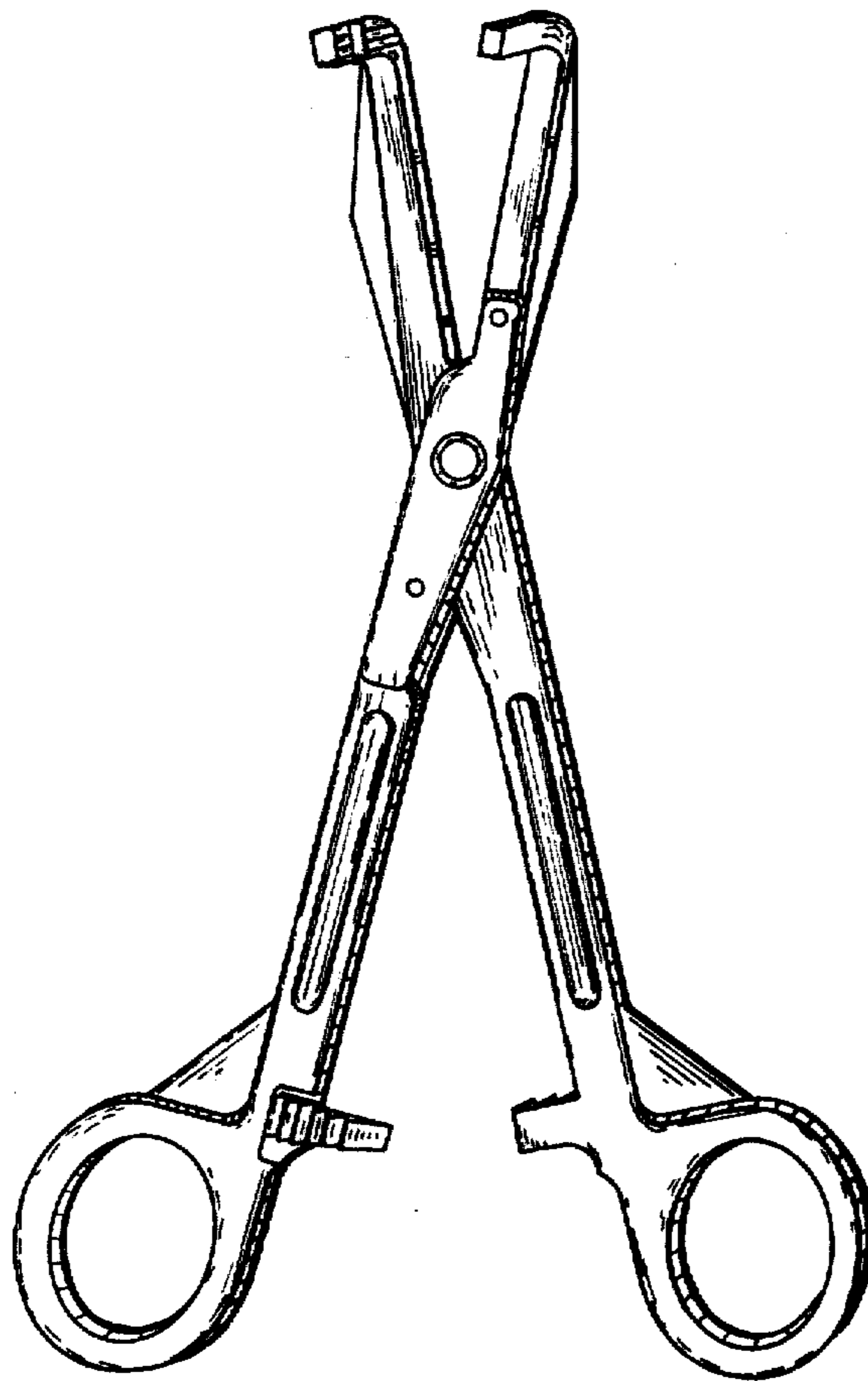


FIG. 1

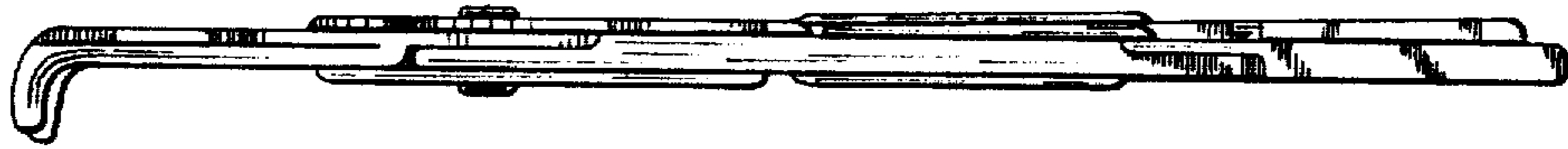


FIG. 2

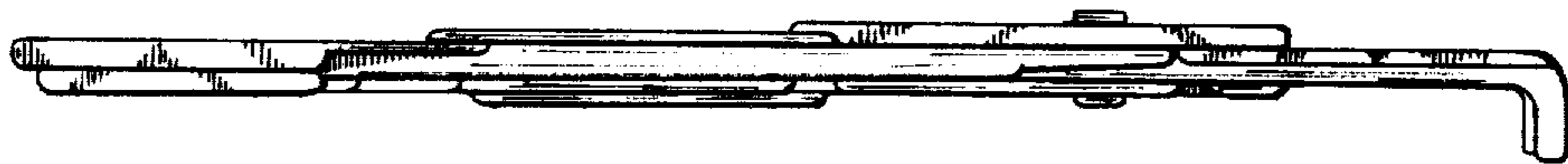


FIG. 7

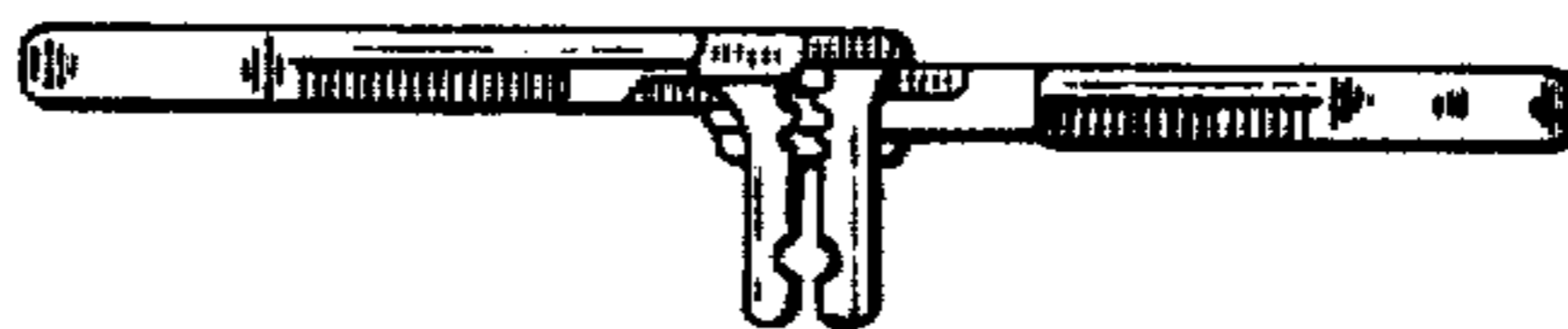


FIG. 5

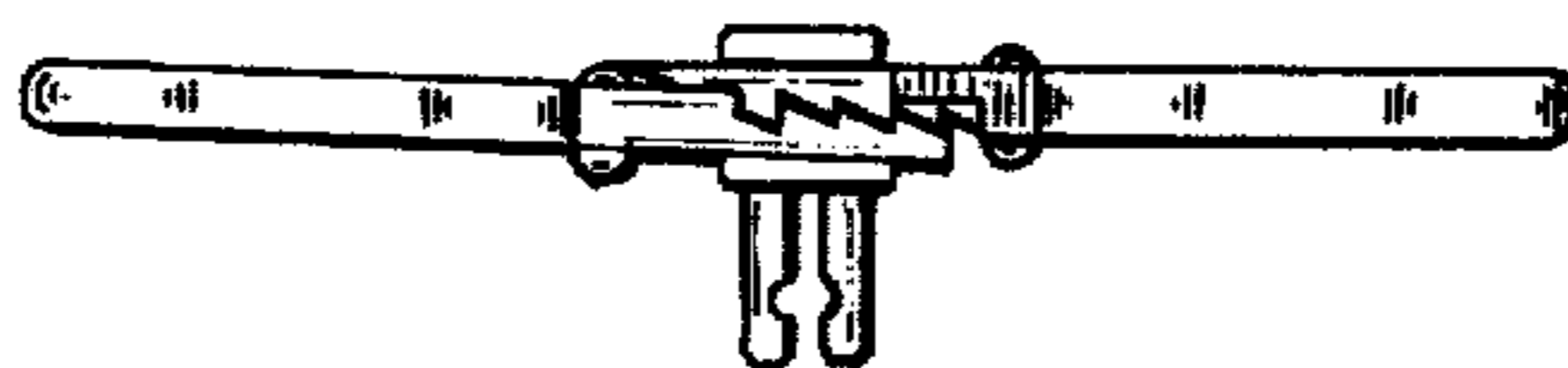


FIG. 6

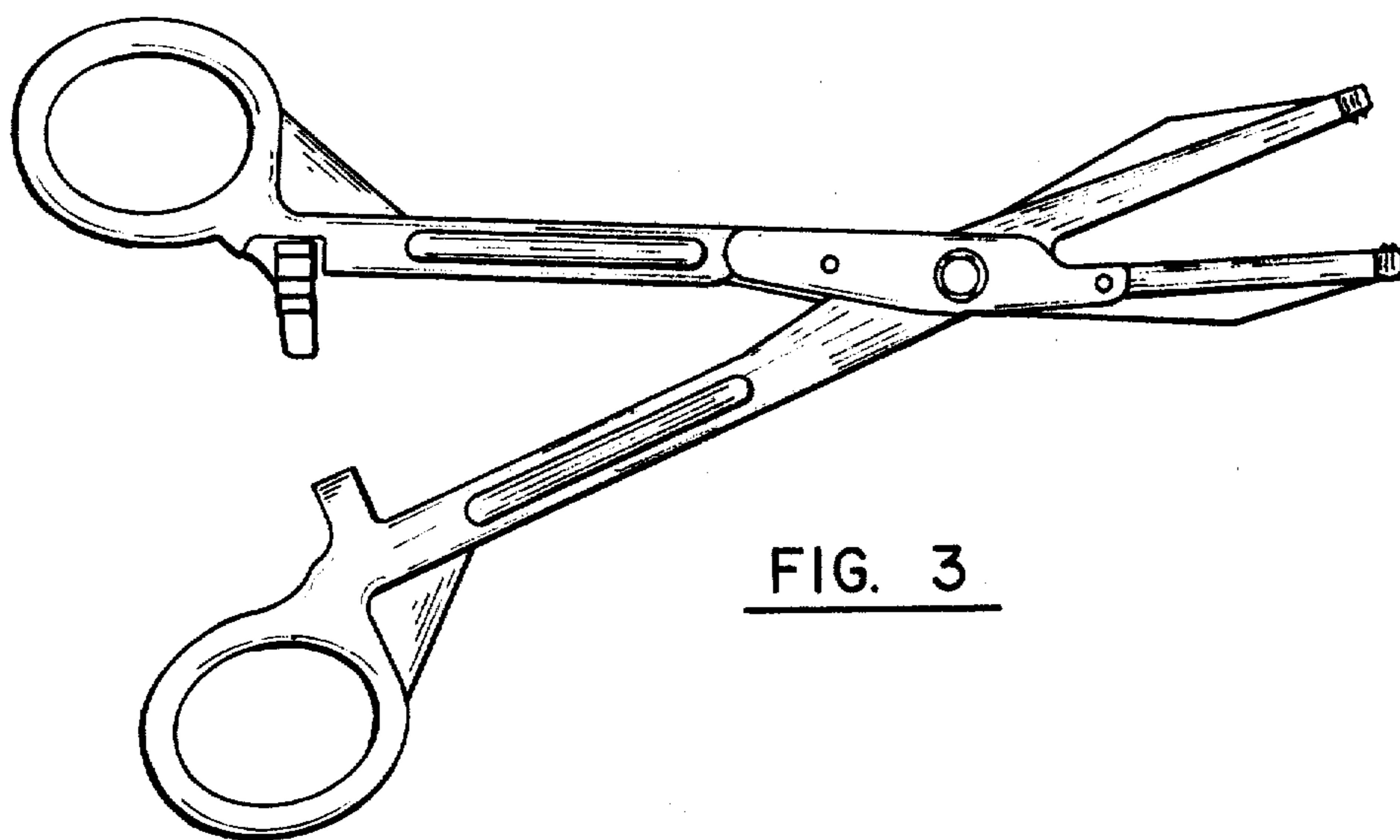


FIG. 3

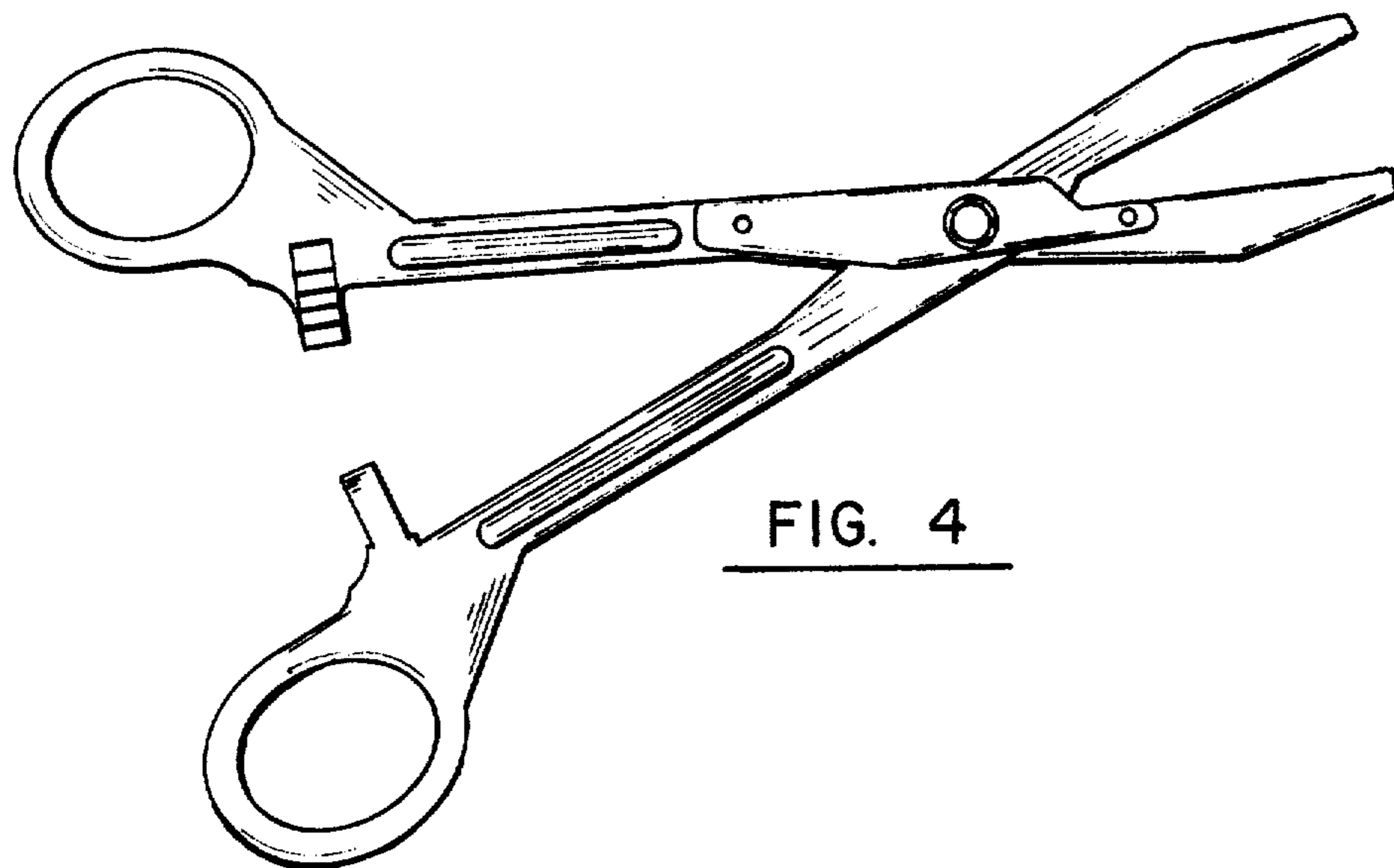


FIG. 4