

[54] CERVICAL DILATOR

[76] Inventor: Richard D. Glassman, Tacambaro-Centro De Salud, Tacambaro, Michoacan, Mexico

[\*\*] Term: 14 Years

[21] Appl. No.: 248,244

[22] Filed: Mar. 27, 1981

[51] Int. Cl. .... D24-02

[52] U.S. Cl. .... D24/23; D24/08

[58] Field of Search .... D24/23, 8, 33, 99; 128/342, 343, 344, 341

[56] References Cited

U.S. PATENT DOCUMENTS

D. 143,924	2/1946	McFadden	.....	D24/23
D. 247,512	3/1978	Sandler	.....	D24/23
D. 265,342	7/1982	Glassman	.....	D24/23
3,712,300	1/1973	Davidowitz	.....	128/341

4,240,412 12/1980 James ..... 128/341  
4,263,914 4/1981 Pawlak ..... 128/341 X

OTHER PUBLICATIONS

Aloe Medical Catalog No. 220, ©1965, p. 125, Trylon Hegar Uterine Dilator.

Primary Examiner—Bernard Ansher  
Attorney, Agent, or Firm—Elmer L. Zwickel

[57] CLAIM

The ornamental design for a cervical dilator, as shown.

DESCRIPTION

FIG. 1 is an elevational view of the cervical dilator showing my new design;  
FIG. 2 is a view of one side of the cervical dilator;  
FIG. 3 is an elevational view of the other side of the dilator;  
FIG. 4 is a view of one end of the cervical dilator as viewed along line 4—4 of FIG. 2; and  
FIG. 5 is a view of the other end of the cervical dilator as viewed along line 5—5 of FIG. 2.

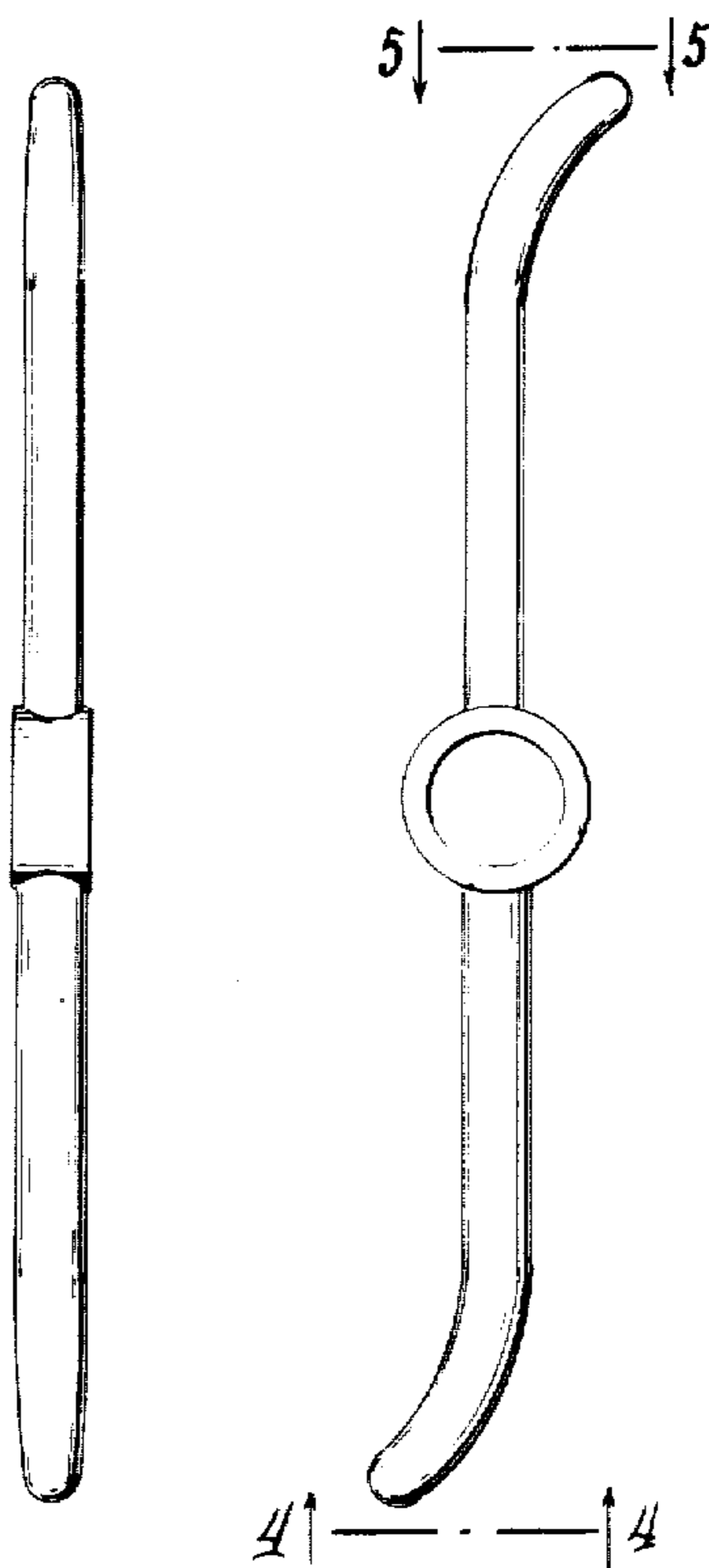


Fig. 1

Fig. 2.

Fig. 3.

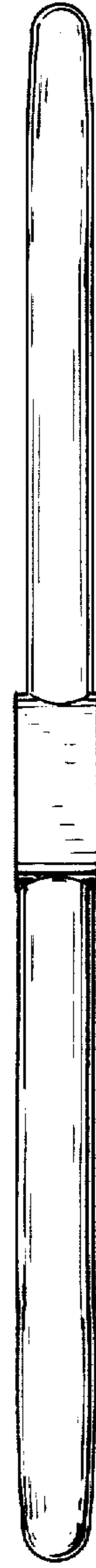
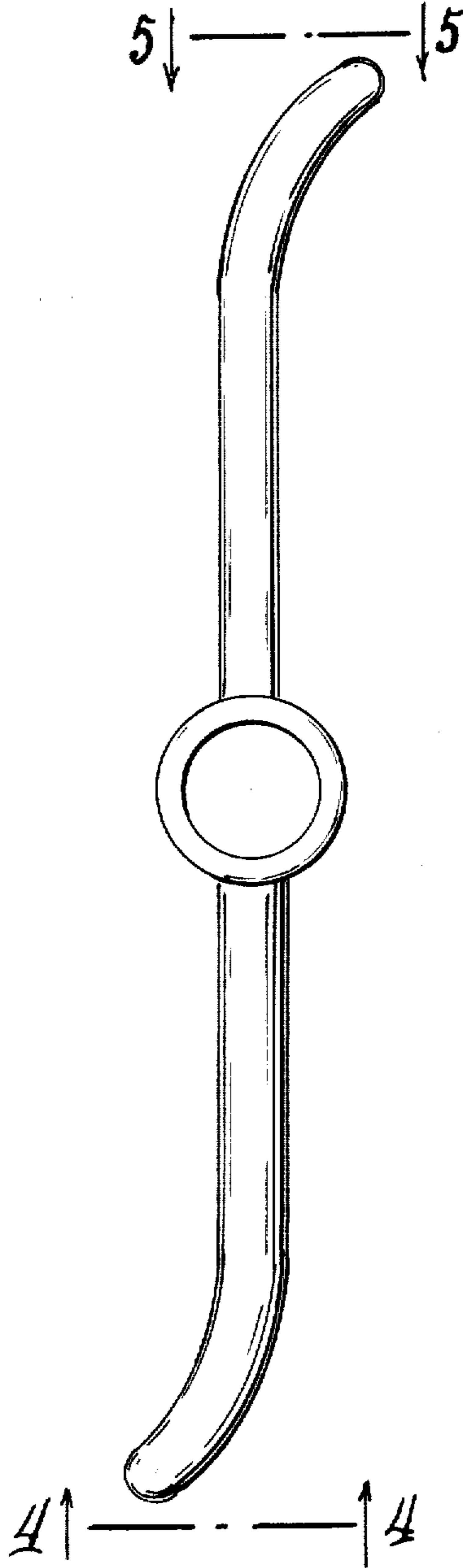


Fig. 4.

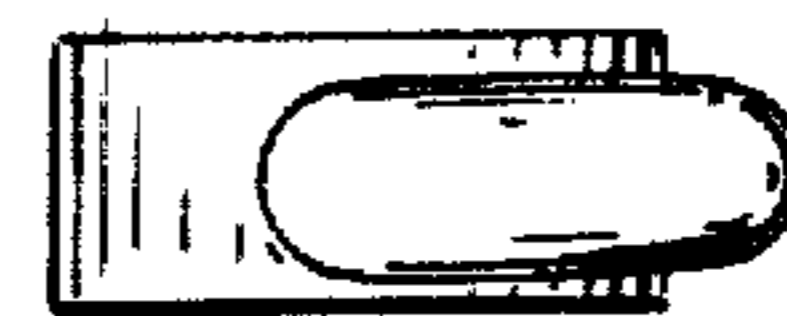


Fig. 5.