

[54] **WATER CLOSET FLUSH TANK**

[75] Inventor: **Bruce R. Thompson**, Tranmere, Australia

[73] Assignee: **UPL Group Limited**, Brisbane, Australia

[\*\*] Term: **14 Years**

[21] Appl. No.: **182,035**

[22] Filed: **Aug. 28, 1980**

[30] **Foreign Application Priority Data**  
 May 1, 1980 [AU] Australia ..... 80,839

[51] Int. Cl. .... **D23-02**

[52] U.S. Cl. .... **D23/66**

[58] Field of Search ..... **D23/65-67;**  
 4/325, 353

[56] **References Cited**  
**U.S. PATENT DOCUMENTS**  
 D. 85,560 11/1931 Tilden ..... D23/66

D. 226,432 3/1973 Anderson ..... D23/66  
 3,654,637 4/1972 Young ..... 4/353  
 3,760,428 9/1973 Korol ..... 4/353  
 4,145,767 3/1979 Ibel ..... 4/353  
 4,162,548 7/1979 Groombridge et al. .... 4/353 X  
 4,219,895 9/1980 Thompson ..... 4/325  
 4,304,014 12/1981 Thompson ..... 4/325

*Primary Examiner*—James R. Largen  
*Attorney, Agent, or Firm*—McDougall, Hersh & Scott

[57] **CLAIM**

The ornamental design for a water closet flush tank, as shown and described.

**DESCRIPTION**

FIG. 1 is a perspective view taken from the top, front and right side of a water closet flush tank showing my new design;

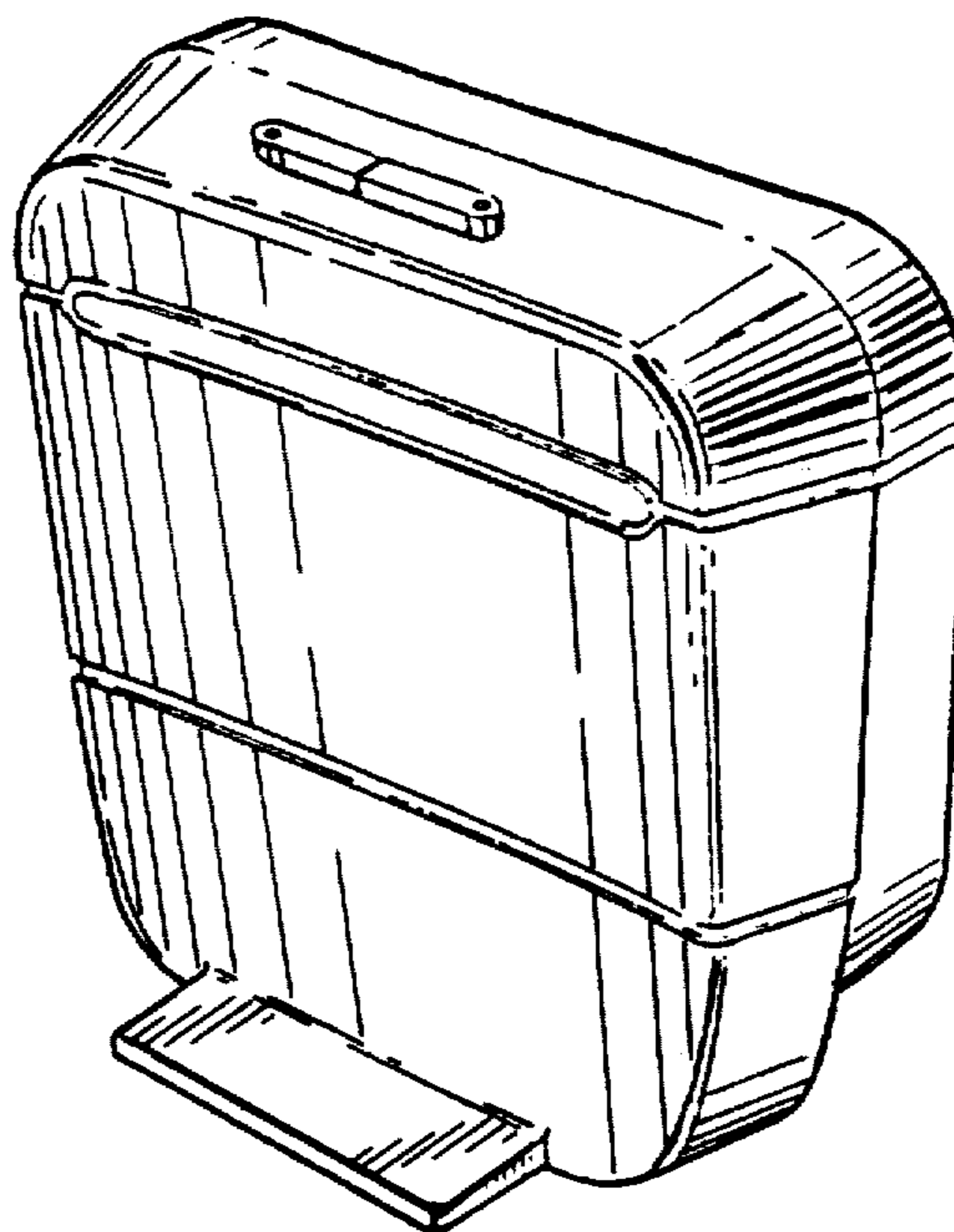
FIG. 2 is a top plan view thereof;

FIG. 3 is a bottom plan view thereof;

FIG. 4 is a front elevational view thereof;

FIG. 5 is a rear elevational view thereof; and

FIG. 6 is a left side elevational view thereof, the right side being a mirror image of the left side shown.



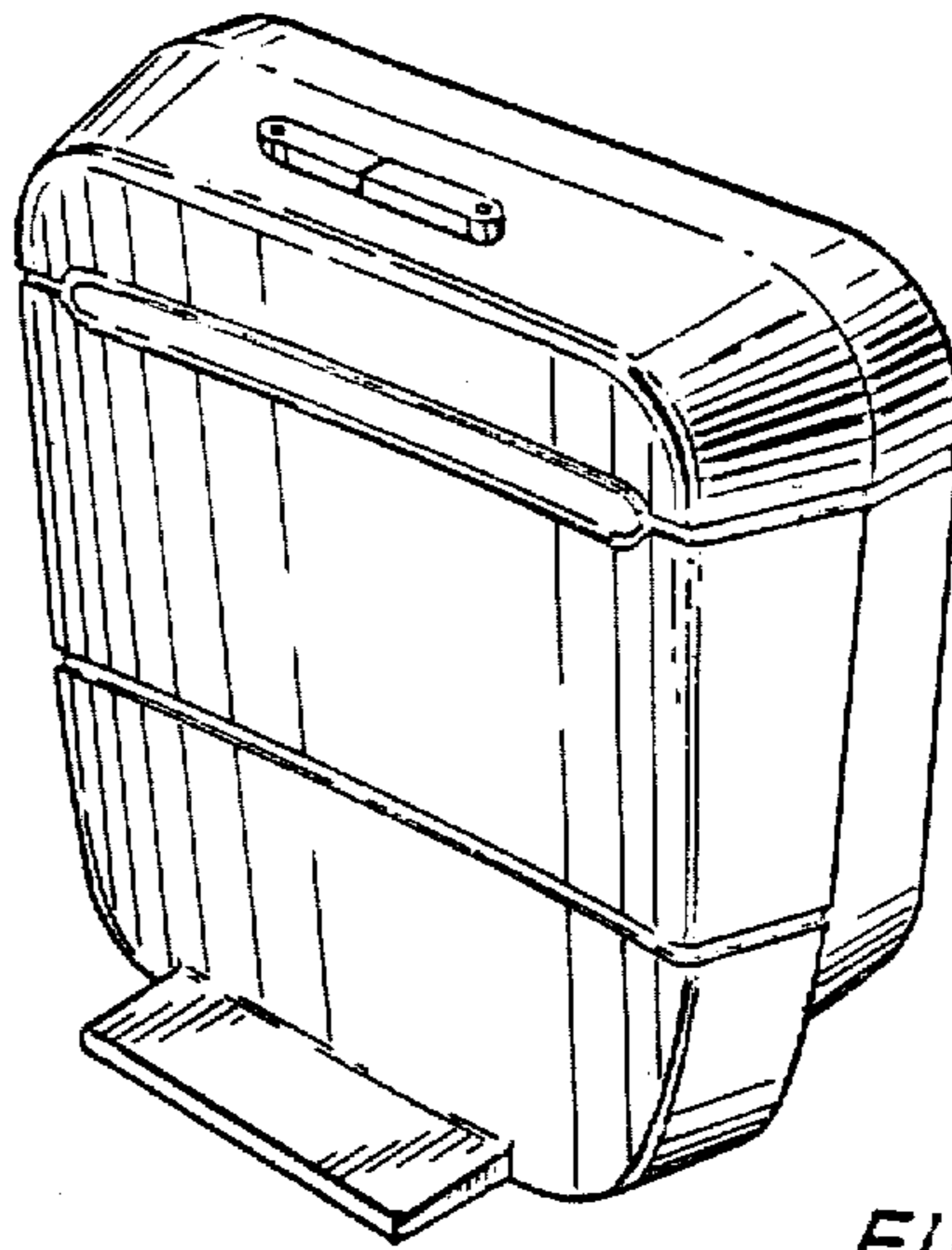


FIG. 1

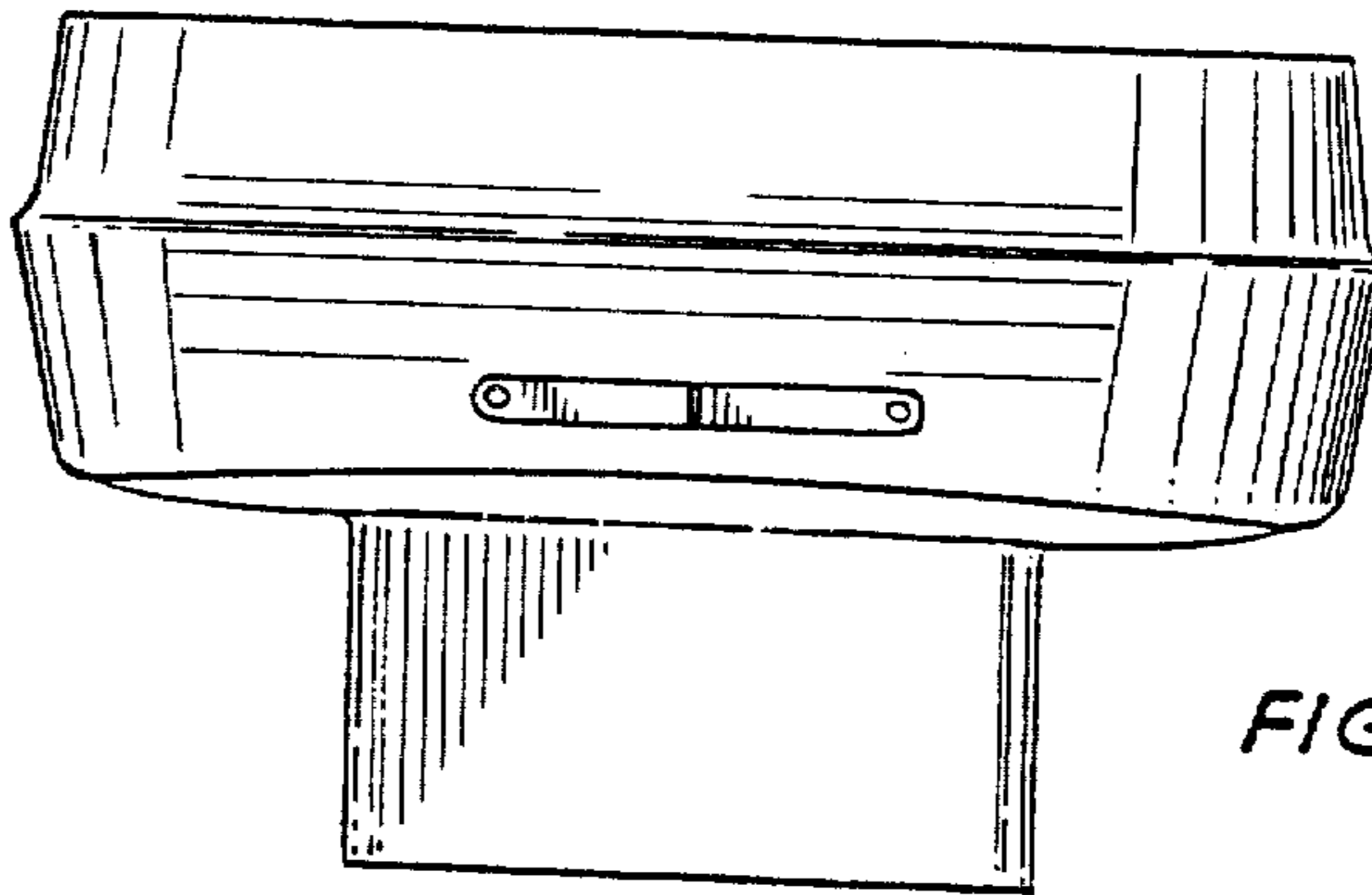


FIG. 2

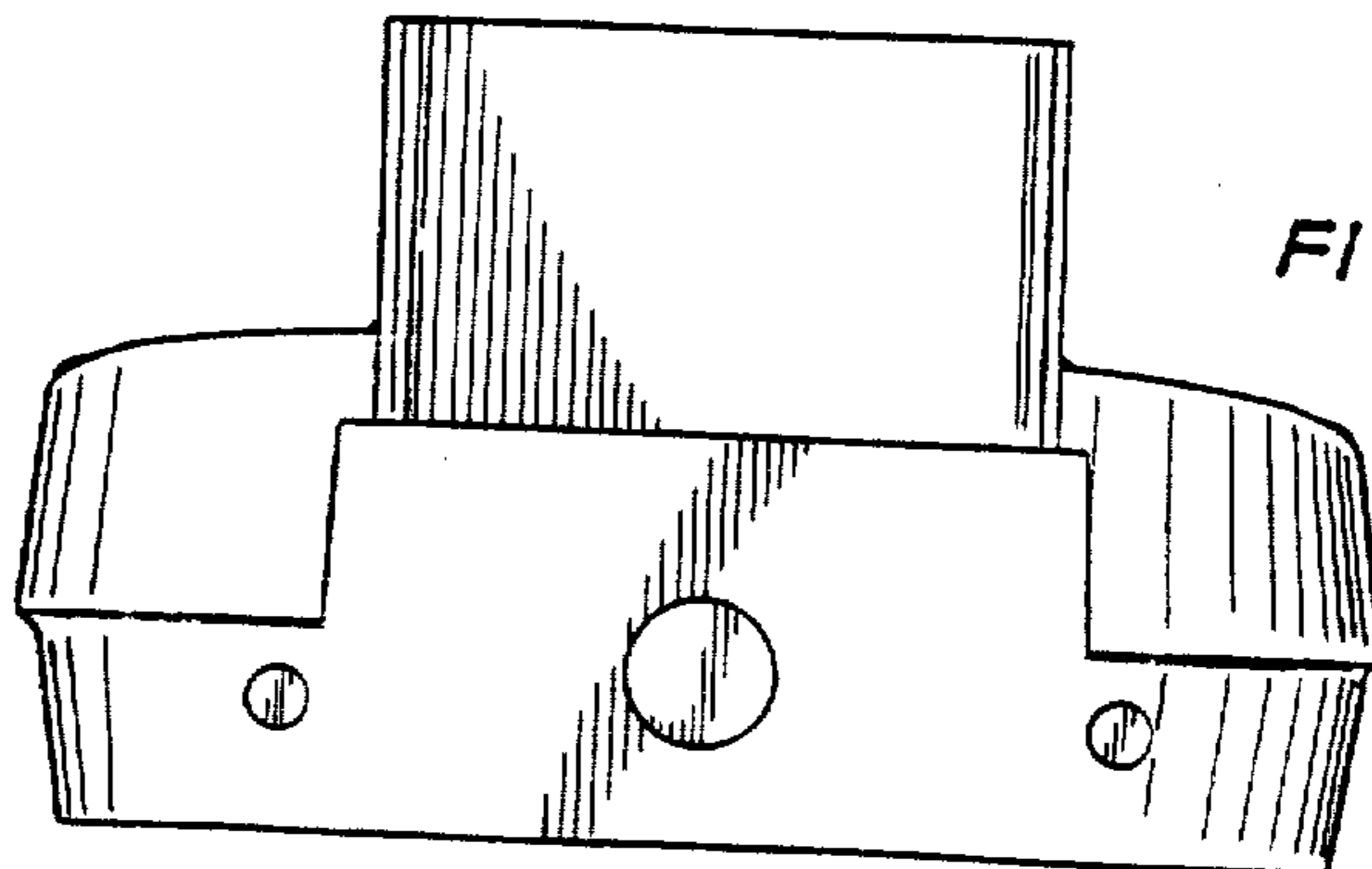


FIG. 3

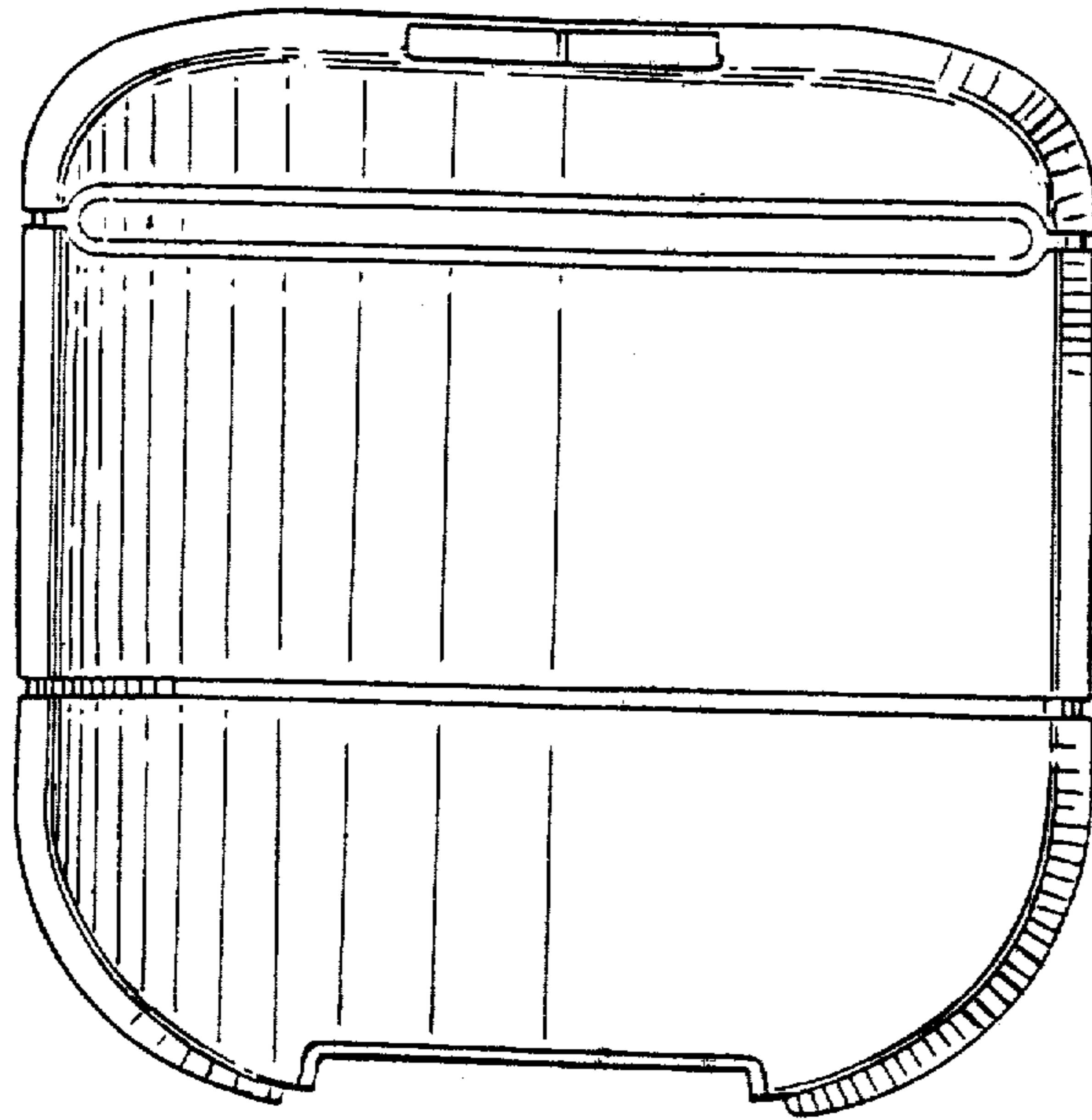


FIG. 4

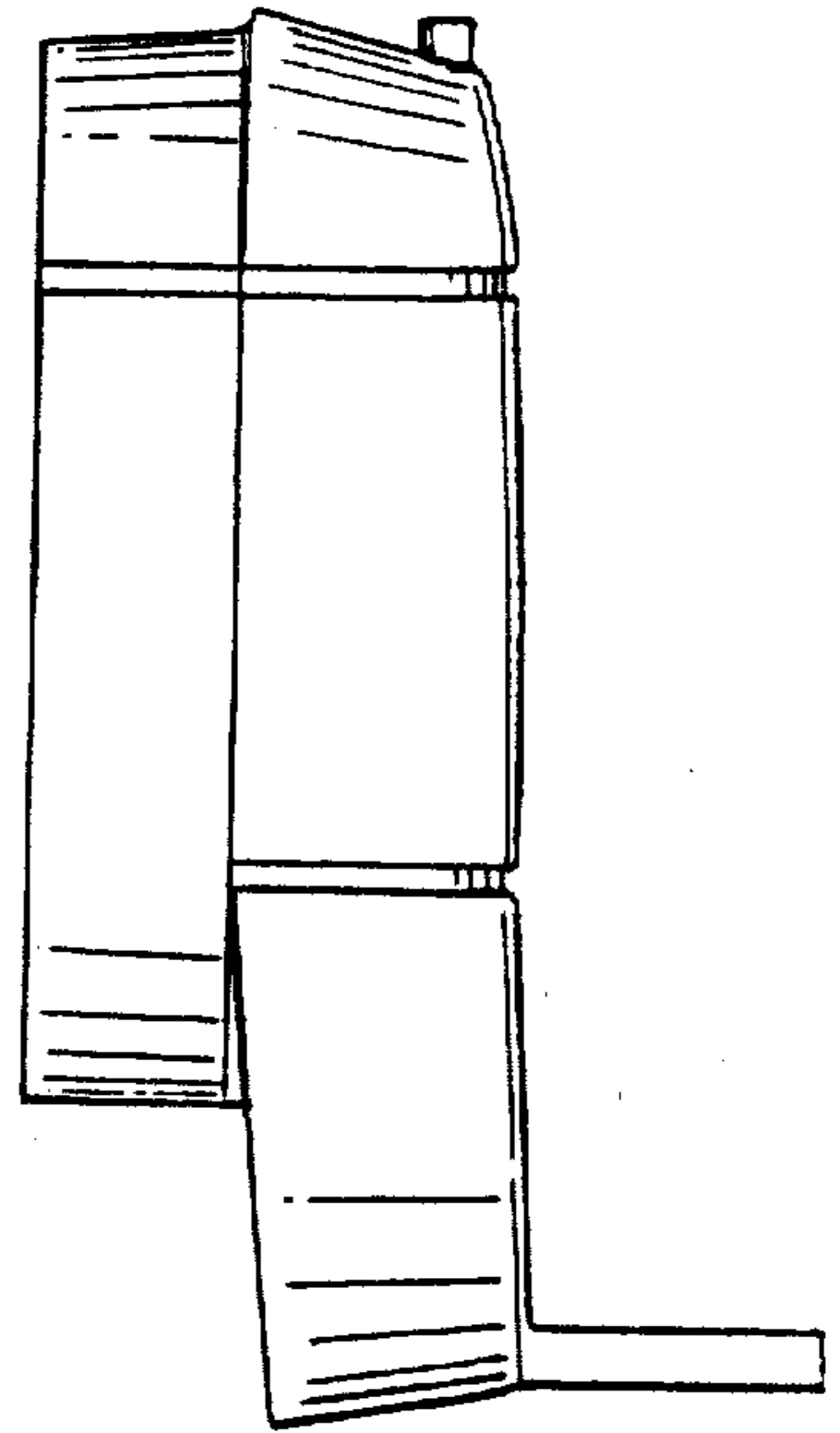


FIG. 6

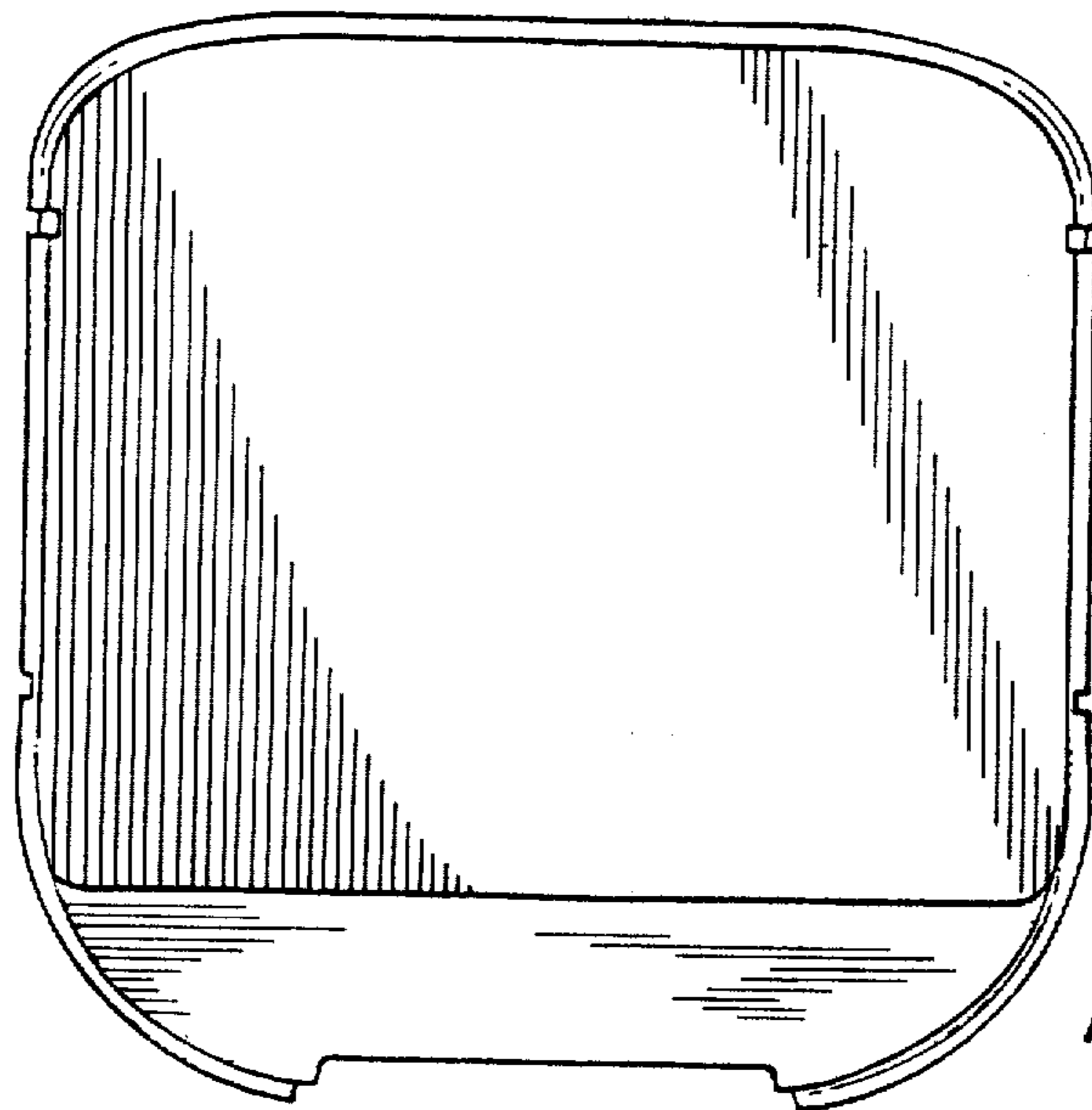


FIG. 5