

[54] **SPRINKLER BASE**
 [75] Inventors: **Frederick G. Mackay**, Tarzana; **Craig R. Tisserat**, Alta Loma; **Paul G. Mayr**, Glendora; **Enric C. Mendoza**, Walnut, all of Calif.

2,231,422 2/1941 Hoffman 239/251
 2,973,149 2/1961 Kachergis 239/273
 3,088,678 5/1963 Turner 239/230
 3,231,199 1/1966 Mattson 239/261

[73] Assignee: **Rain Bird Consumer Products Mfg. Corp.**, Duarte, Calif.

Primary Examiner—James R. Largen
Attorney, Agent, or Firm—Fulwider, Patton, Rieber, Lee & Utecht

[**] Term: **14 Years**

[57] **CLAIM**

[21] Appl. No.: **212,405**

The ornamental design for a sprinkler base, substantially as shown.

[22] Filed: **Dec. 3, 1980**

DESCRIPTION

[51] Int. Cl. **D23—01**

FIG. 1 is a perspective view taken from the top, rear and left side of a sprinkler base embodying our new design;

[52] U.S. Cl. **D23/7**

FIG. 2 is a top plan view thereof;

[58] Field of Search **D23/6-10;**

FIG. 3 is a front elevational view thereof;

239/230, 251, 261, 264, 265, 273, 279

FIG. 4 is a right side elevational view thereof;

[56] **References Cited**

U.S. PATENT DOCUMENTS

D. 22,190	1/1893	Baker et al.	D23/7
D. 151,772	11/1948	Kemp	D23/7
D. 184,661	3/1959	Chapman	D23/7
D. 184,662	3/1959	Chapman	D23/7
D. 188,365	7/1960	Beinert	D23/7
D. 189,334	11/1960	Ernest	D23/7
D. 196,025	8/1963	Miner	D23/7

FIG. 5 is a bottom plan view thereof;

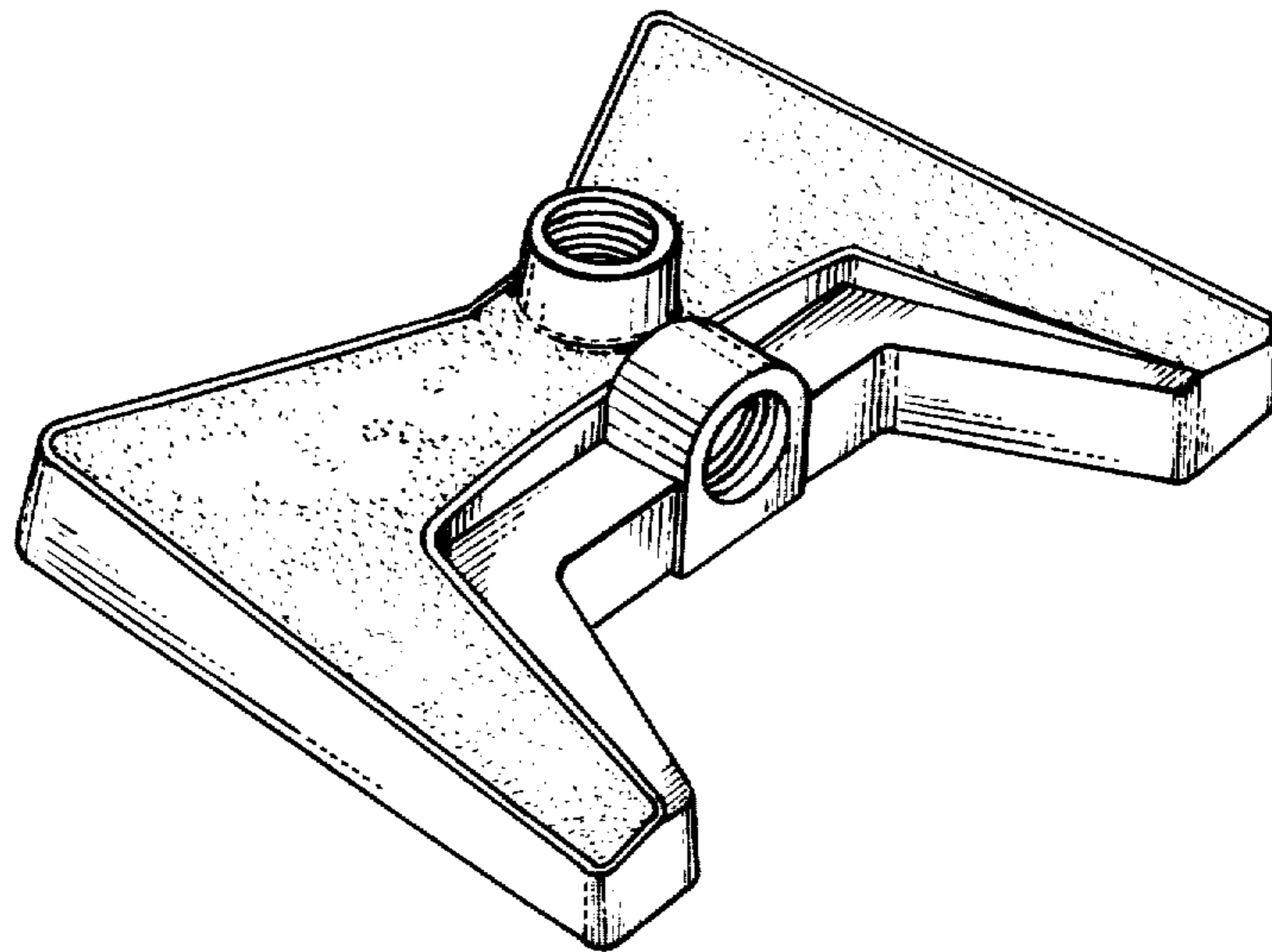
FIG. 6 is a perspective view taken from the top, rear and left side of a modified form of the sprinkler base shown in FIG. 1;

FIG. 7 is a top plan view of FIG. 6;

FIG. 8 is a front elevational view of FIG. 6;

FIG. 9 is a right side elevational view of FIG. 6; and

FIG. 10 is a bottom plan view of FIG. 6.



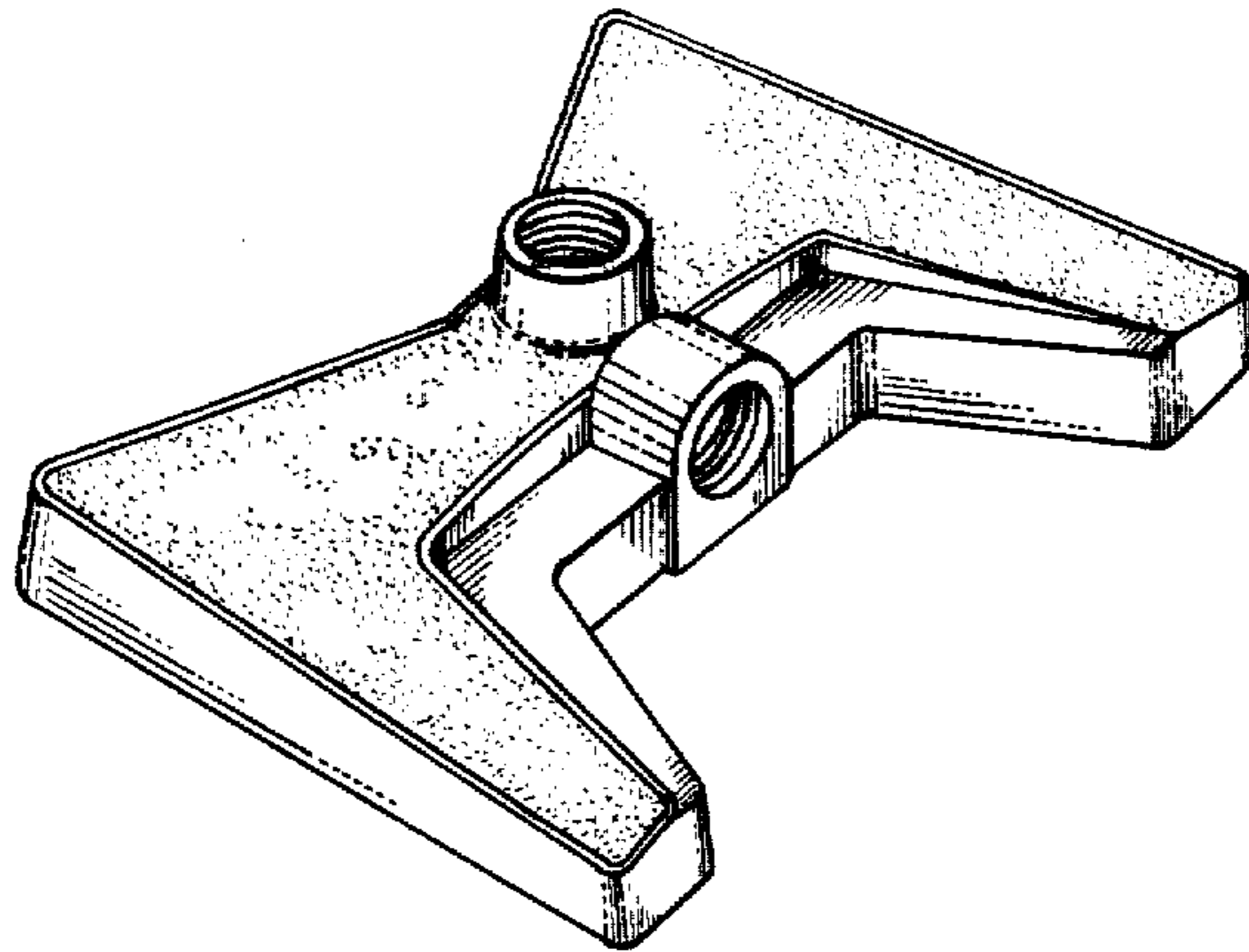


Fig. 1

Fig. 3

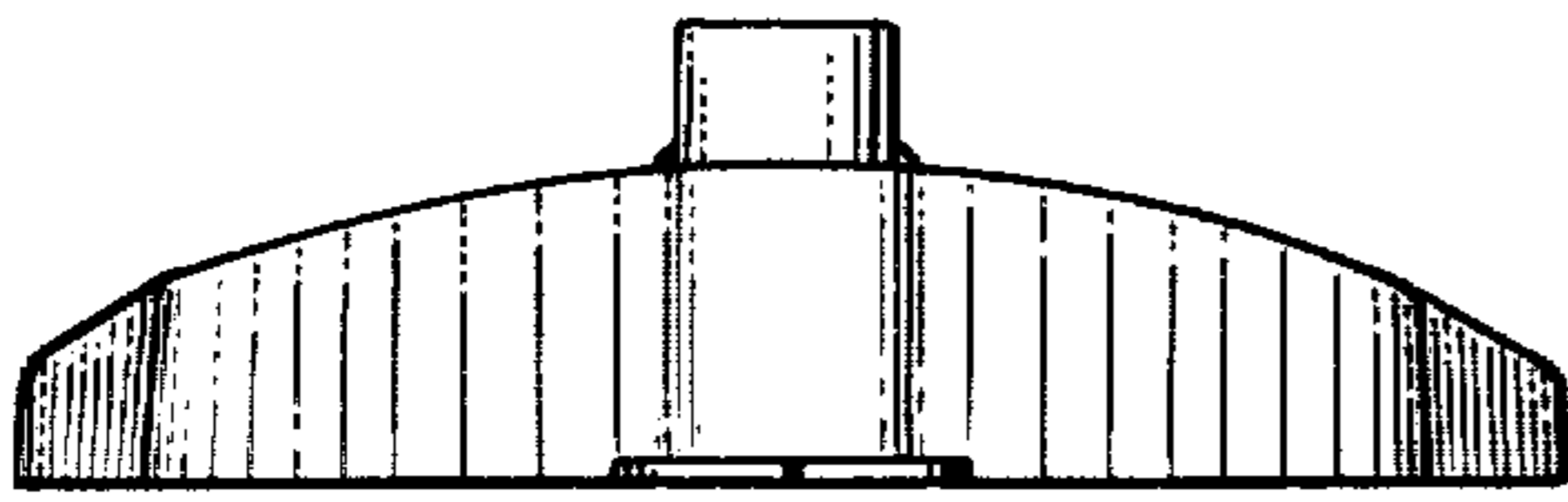


Fig. 2

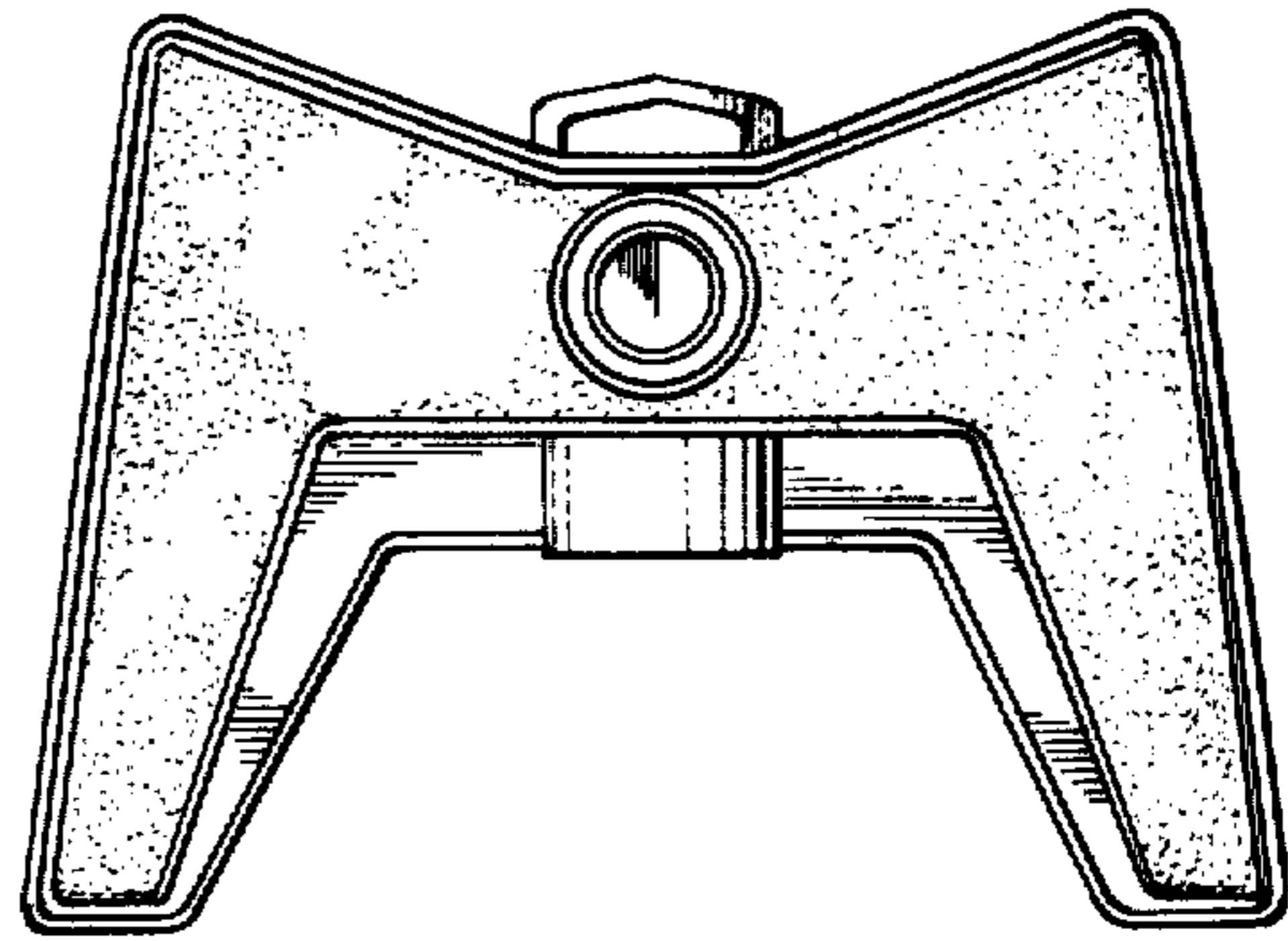


Fig. 4

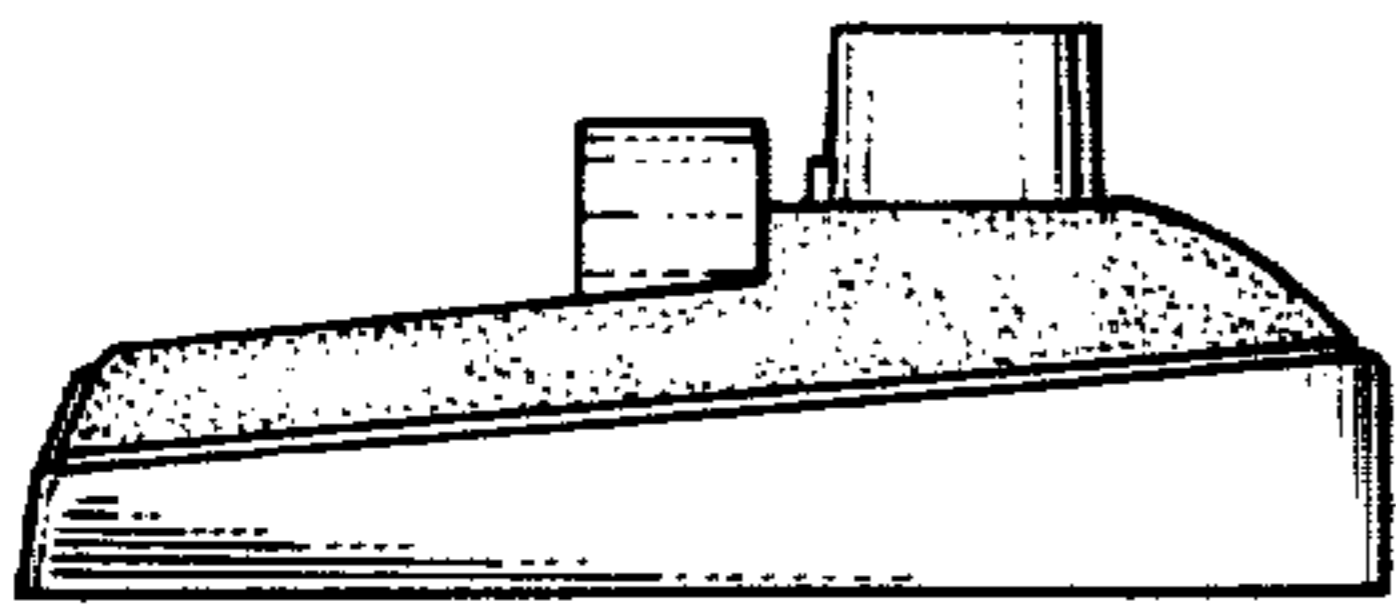
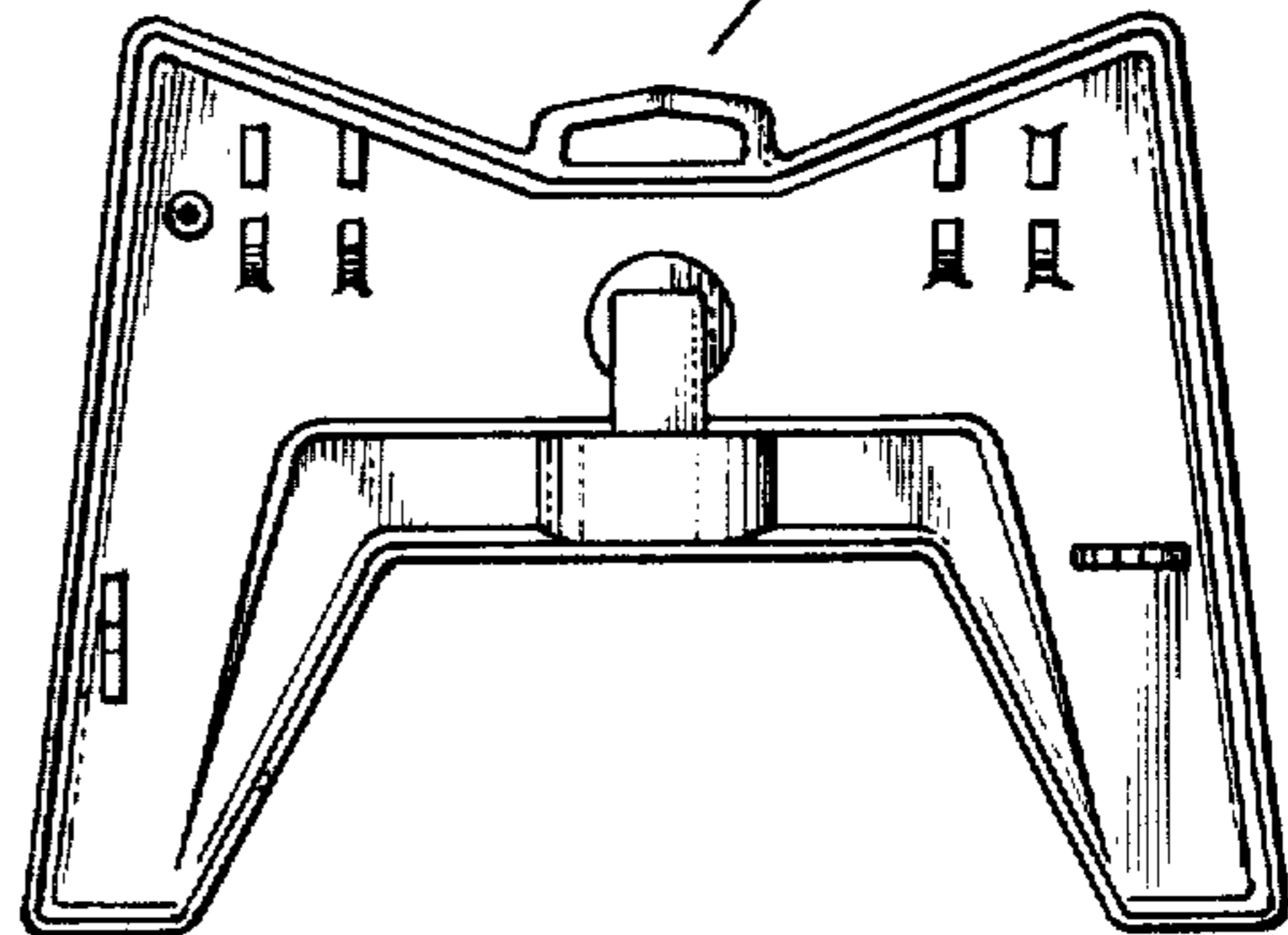


Fig. 5



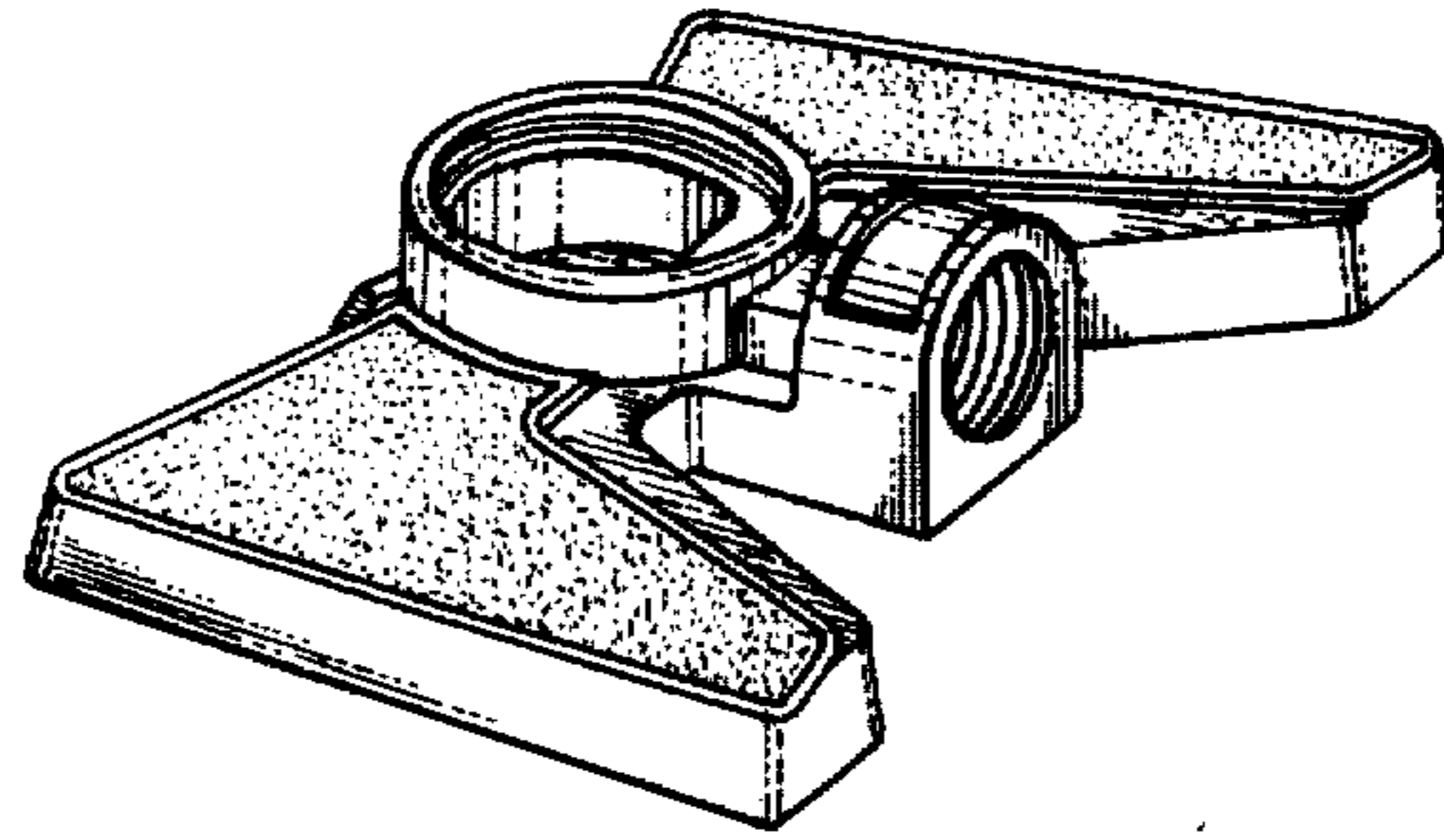


Fig. 6

Fig. 7

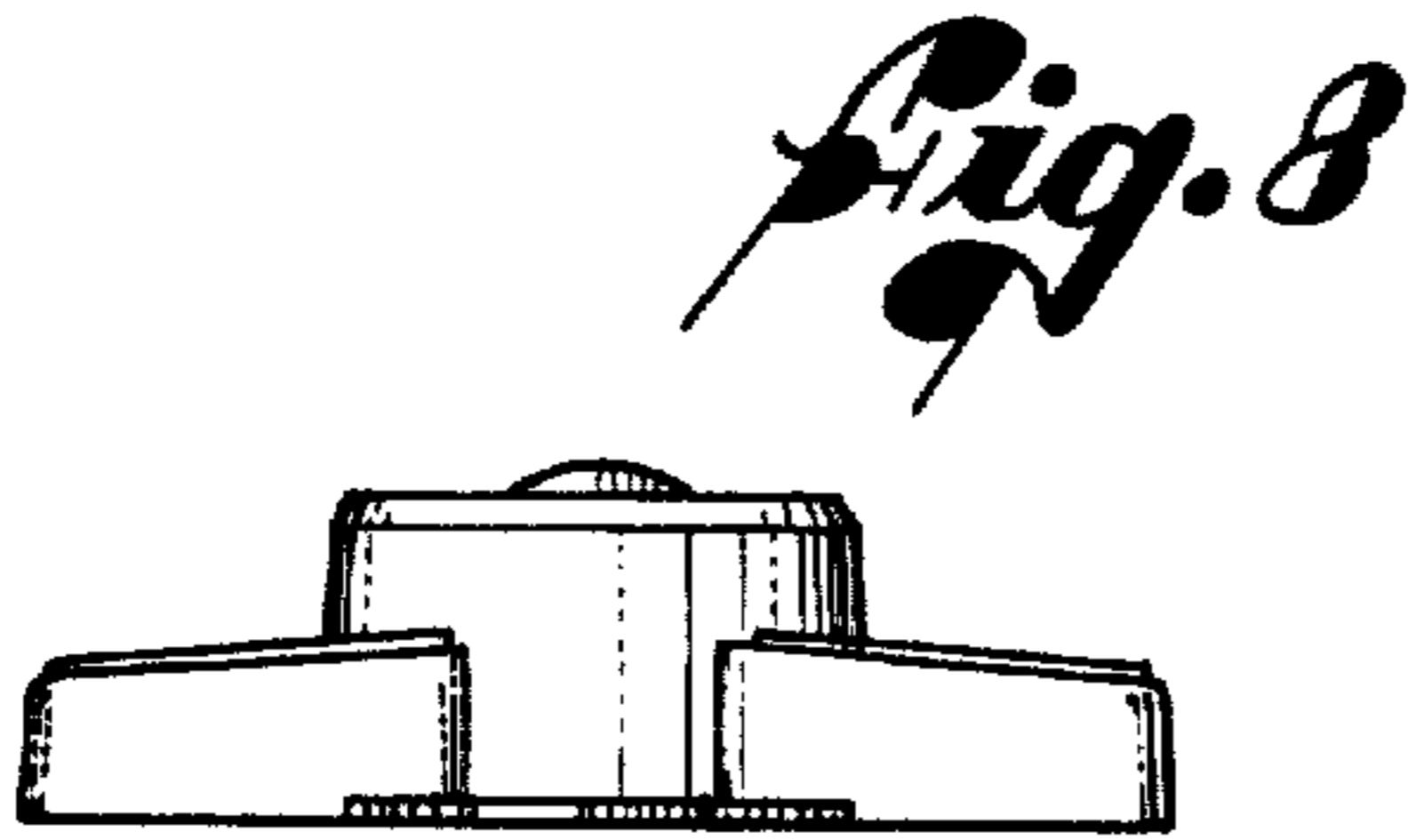


Fig. 8

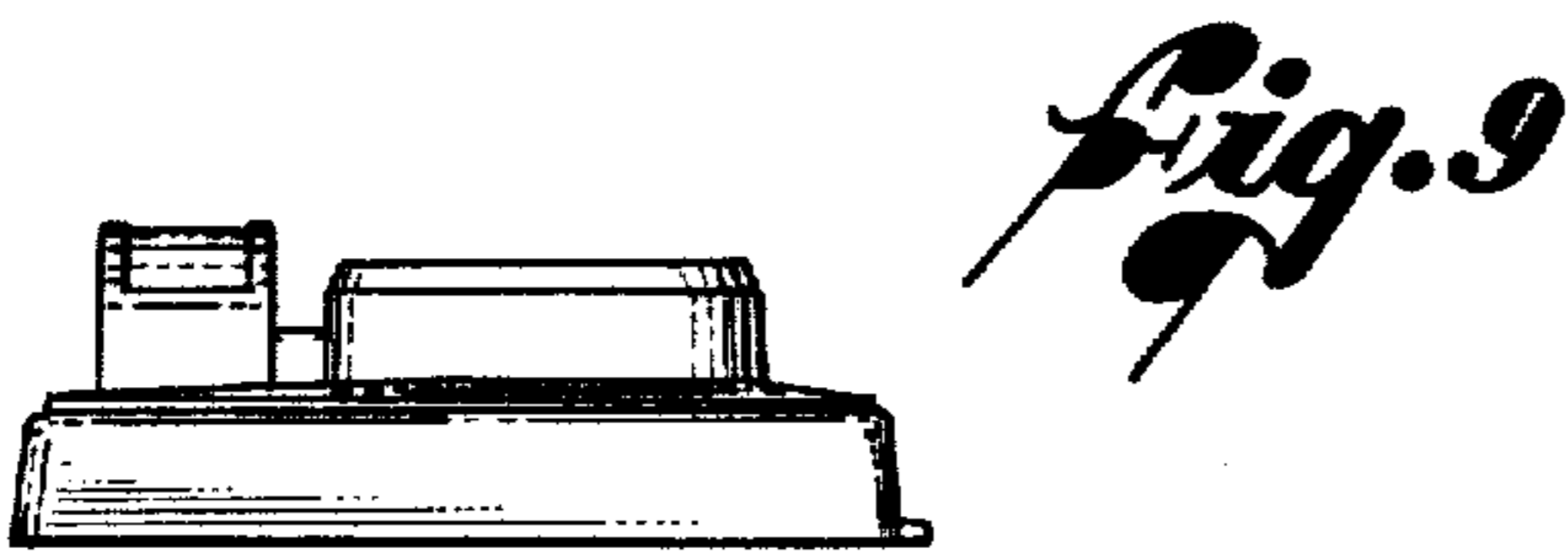
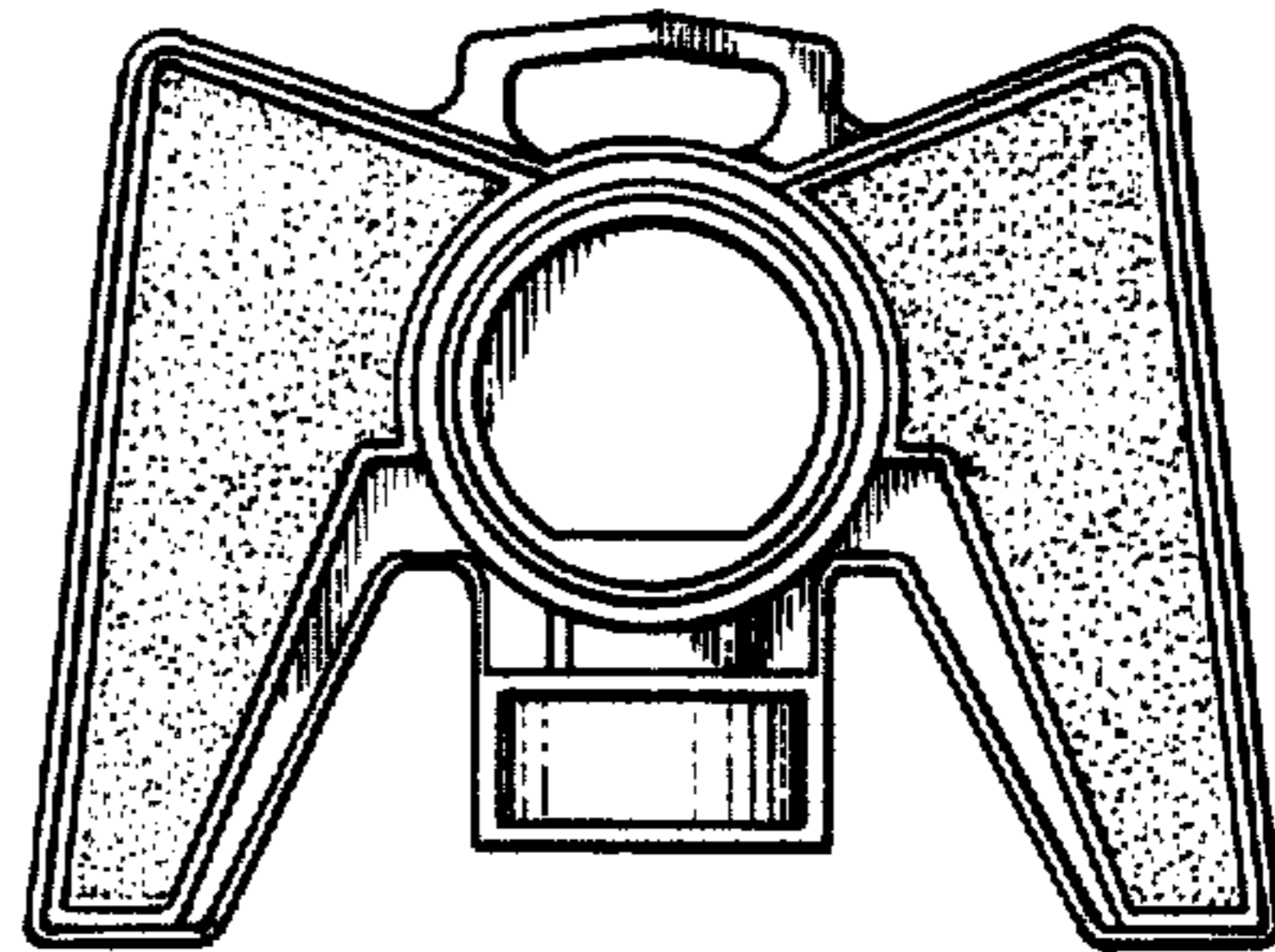


Fig. 9

Fig. 10

