

[54] TELESCOPIC SIGHT MOUNT

[76] Inventor: Stanley A. Mileski, 9343 Hermosa Hills Dr., Tucson, Ariz. 85710

[**] Term: 14 Years

[21] Appl. No.: 251,027

[22] Filed: Apr. 2, 1981

[51] Int. Cl. D22-01

[52] U.S. Cl. D22/7

[58] Field of Search D22/7, 8; 248/205

[56] References Cited

U.S. PATENT DOCUMENTS

- D. 260,165 8/1981 Ross D22/7
- D. 262,481 12/1981 Bechtel D22/7

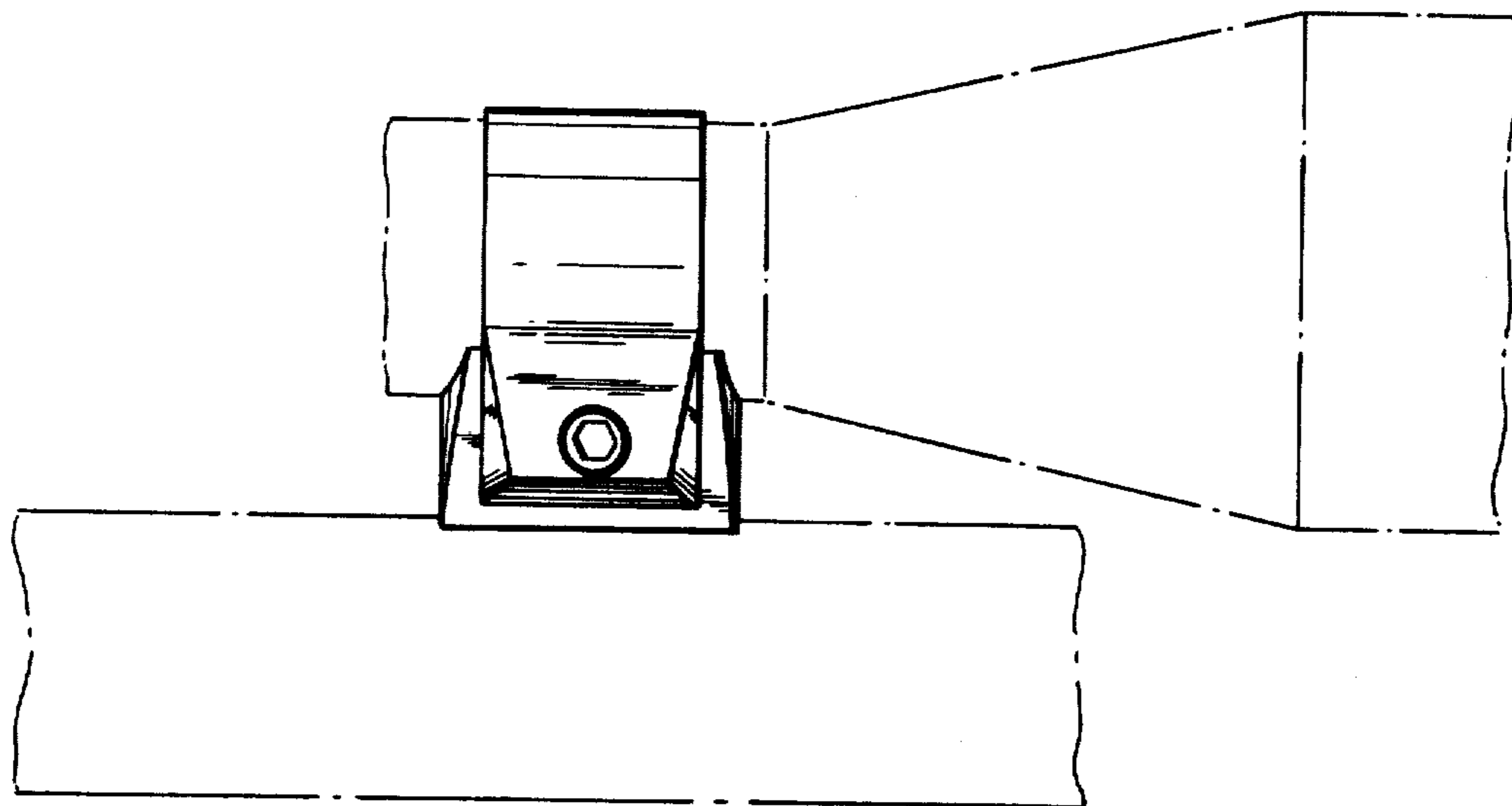
Primary Examiner—A. Hugo Word
Attorney, Agent, or Firm—David H. Semmes; Warren E. Olsen

[57] CLAIM

The ornamental design for a telescopic sight mount, as shown and described.

DESCRIPTION

FIG. 1 is a side elevation;
 FIG. 2 is a bottom plan;
 FIG. 3 is a side elevation;
 FIG. 4 is a top plan;
 FIG. 5 is an end elevation;
 FIG. 6 is an end elevation.
 The gun and scope shown in dotted lines in the several views are disclosed for illustrative purposes only and form no part of the claimed design.



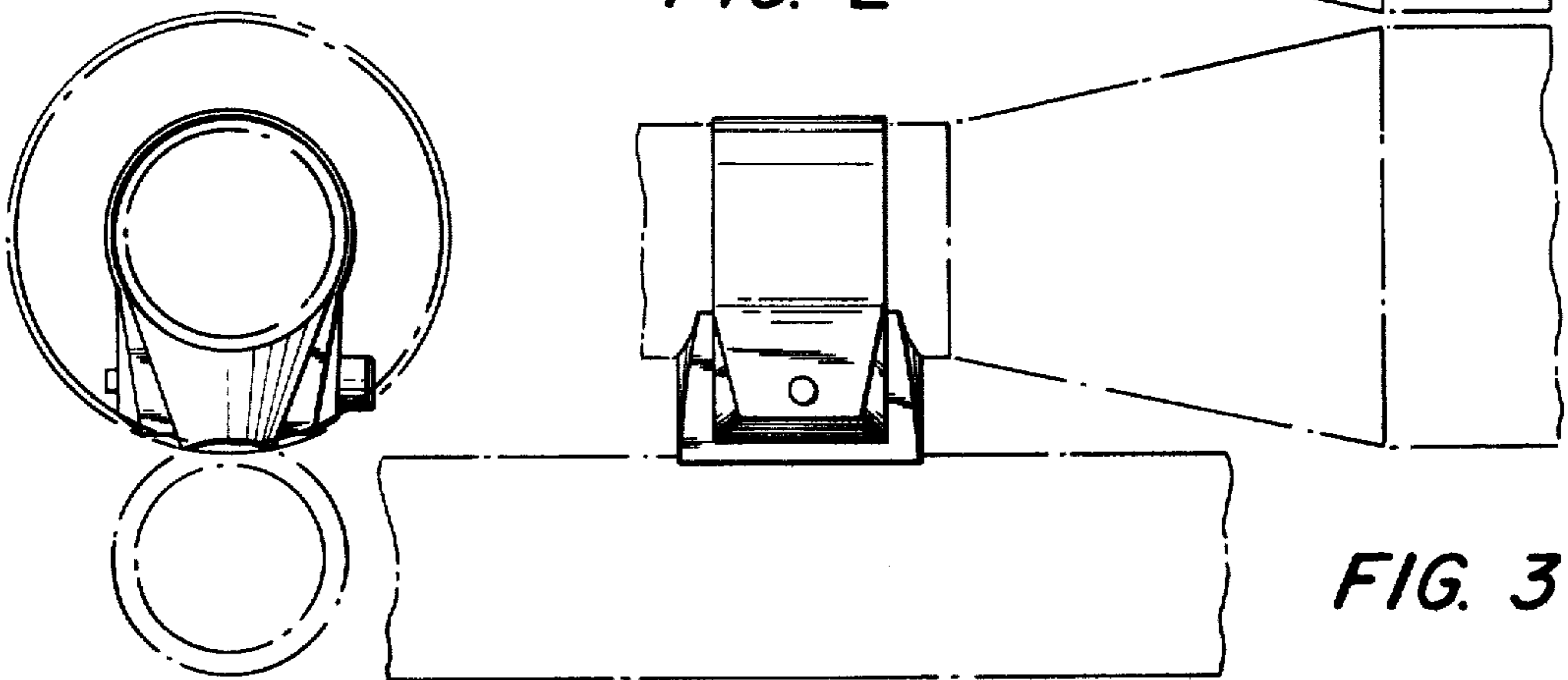
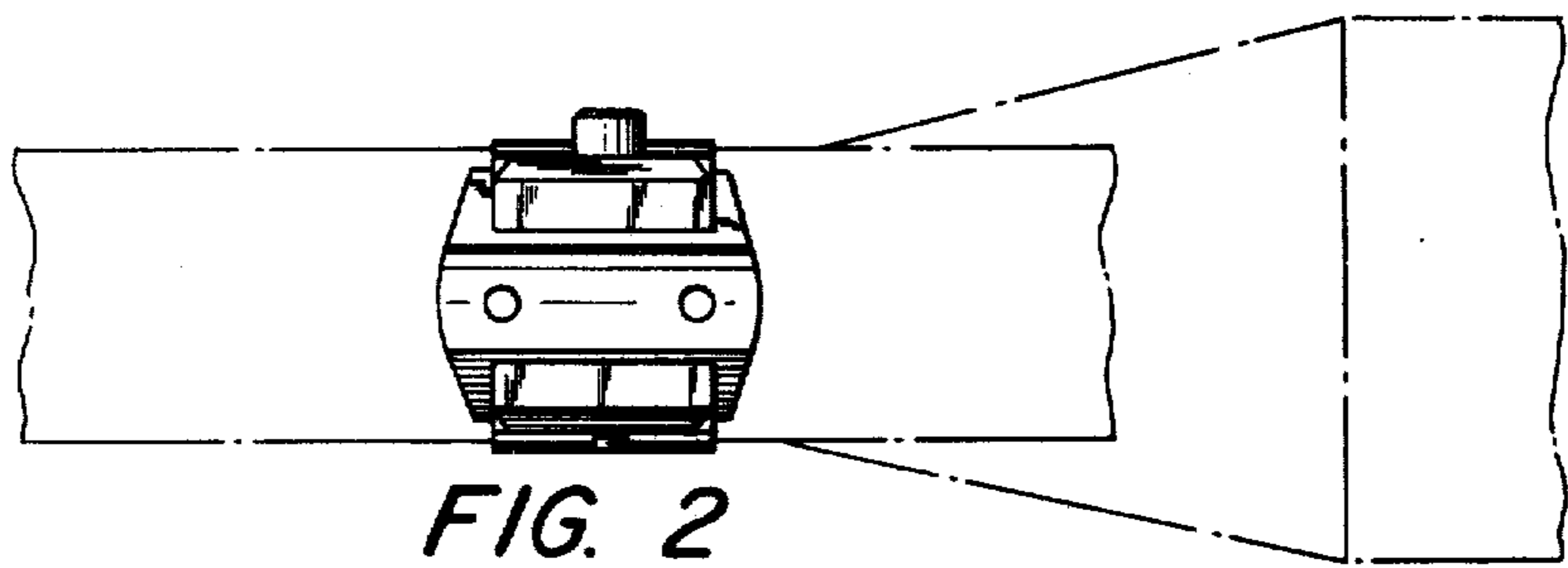
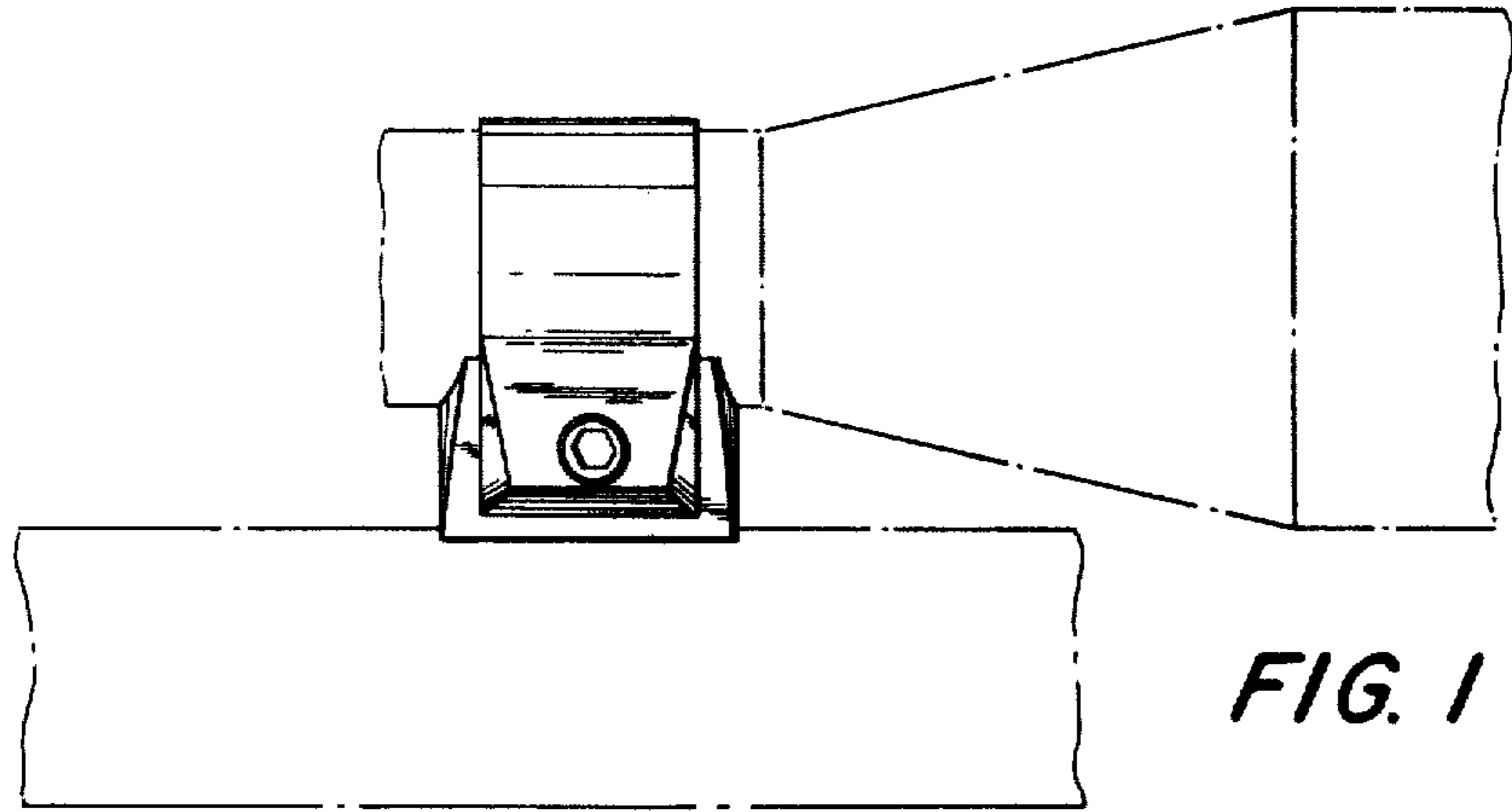


FIG. 5

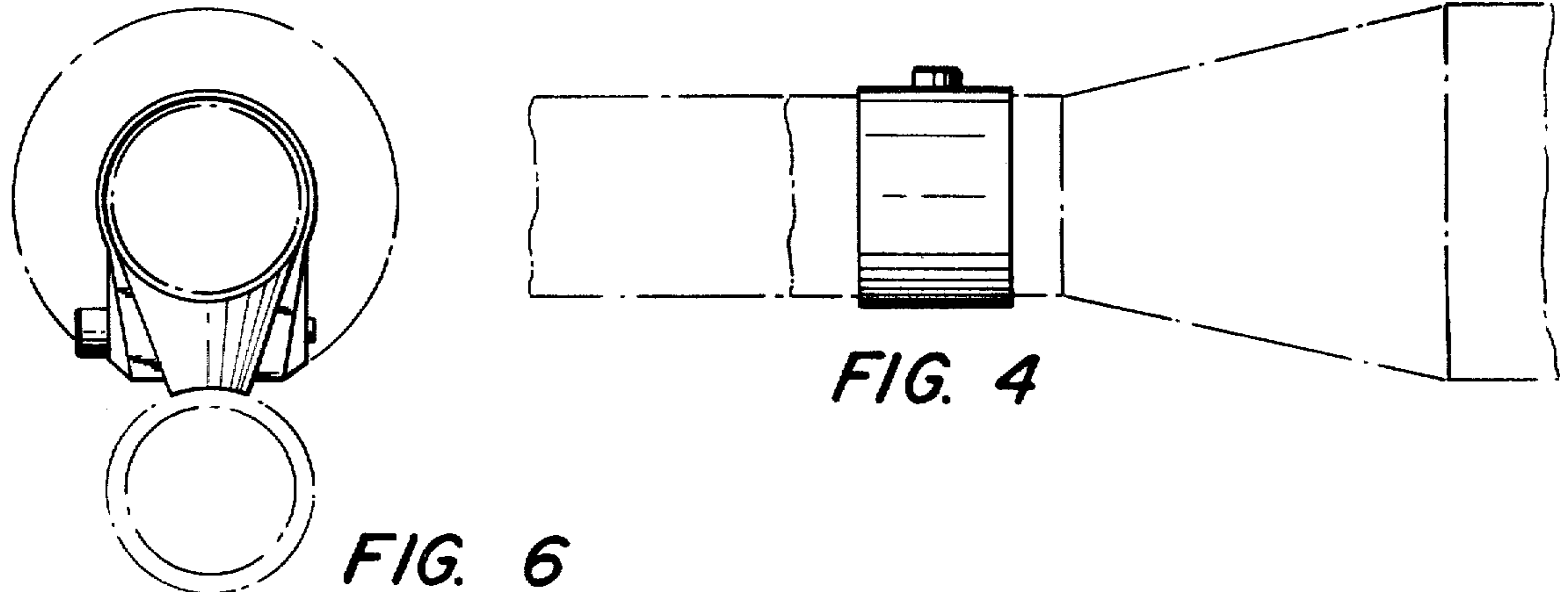


FIG. 6