

[54] TOY DESK

[75] Inventors: Mel Appel, Nine Nottingham Rd., Livingston, N.J. 07039; George Kress, Scotch Plains, N.J.

[73] Assignee: Mel Appel, Livingston, N.J.

[\*\*] Term: 14 Years

[21] Appl. No.: 284,068

[22] Filed: Jul. 16, 1981

[51] Int. Cl. .... D21-01

[52] U.S. Cl. .... D21/121; D6/138; D21/59

[58] Field of Search .... D6/5, 32, 138, 28; D21/59, 121, 123; D19/52, 59; 35/22 A, 60, 61, 62; 46/1 R, 14, 15

[56]

References Cited

U.S. PATENT DOCUMENTS

- D. 157,319 2/1950 Bair ..... D6/32
- D. 192,525 4/1962 Campbell ..... D6/138
- D. 230,452 2/1974 Jennings ..... D6/32
- D. 257,994 1/1981 Kroll ..... D21/59

Primary Examiner—Charles A. Rademaker  
Attorney, Agent, or Firm—Lerner, David, Littenberg & Samuel

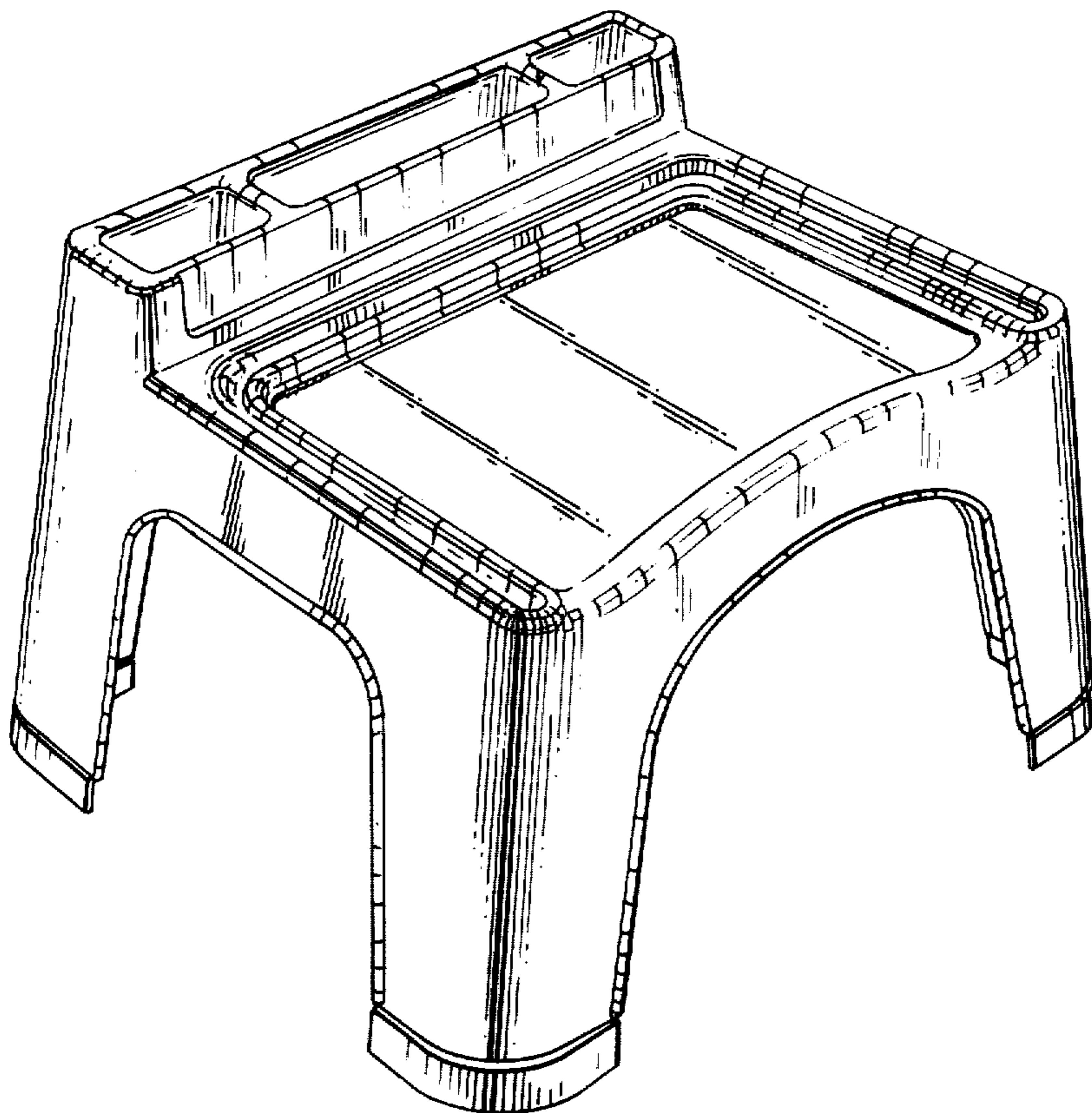
[57]

CLAIM

The ornamental design for a toy desk, substantially as shown and described.

DESCRIPTION

- FIG. 1 is a perspective view of a toy desk showing our new design;
- FIG. 2 is a left side elevational view thereof;
- FIG. 3 is a front elevational view thereof;
- FIG. 4 is a right side elevational view thereof;
- FIG. 5 is a rear elevational view thereof;
- FIG. 6 is a top plan view thereof; and
- FIG. 7 is a bottom plan view thereof.



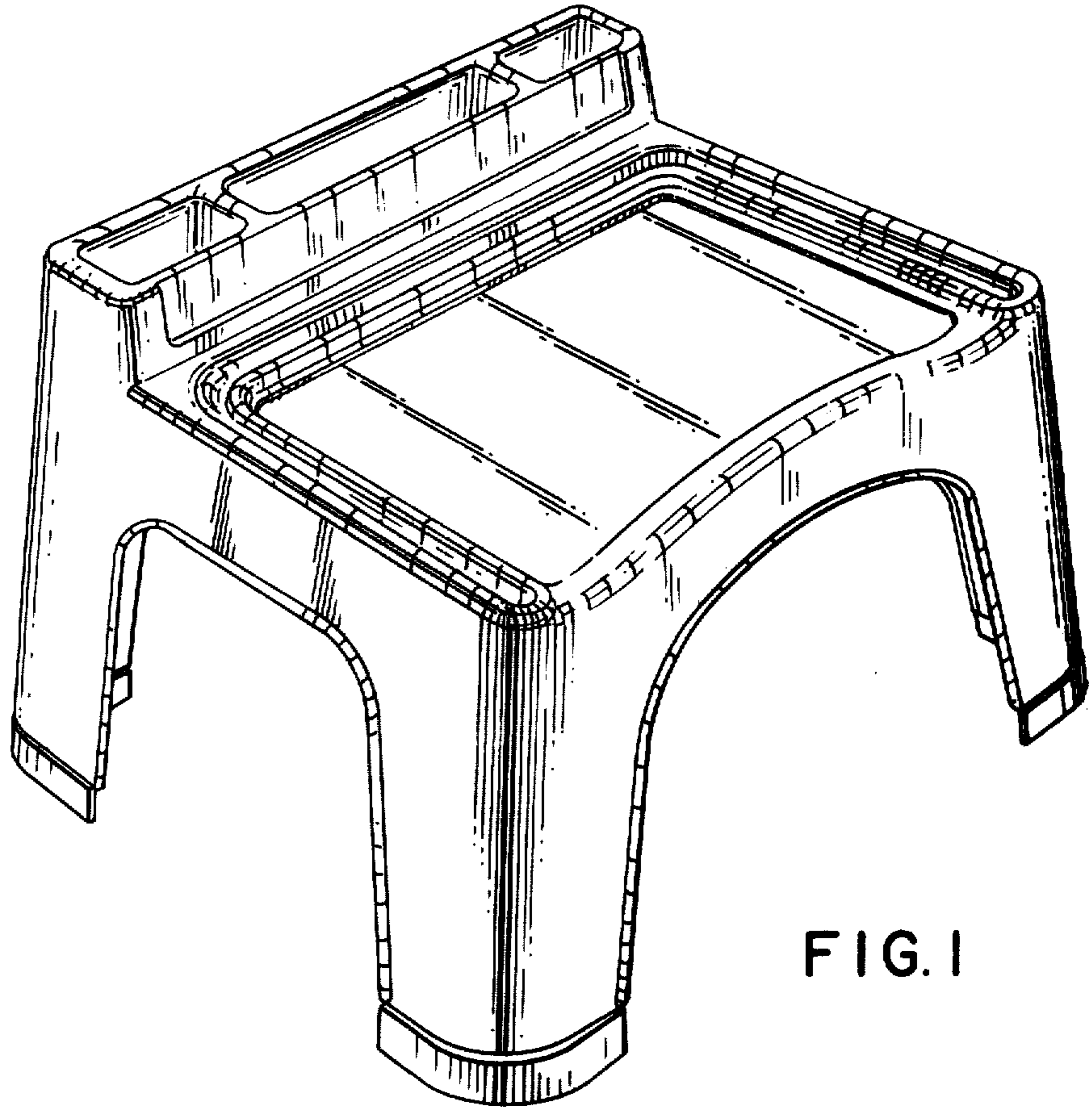


FIG. 1

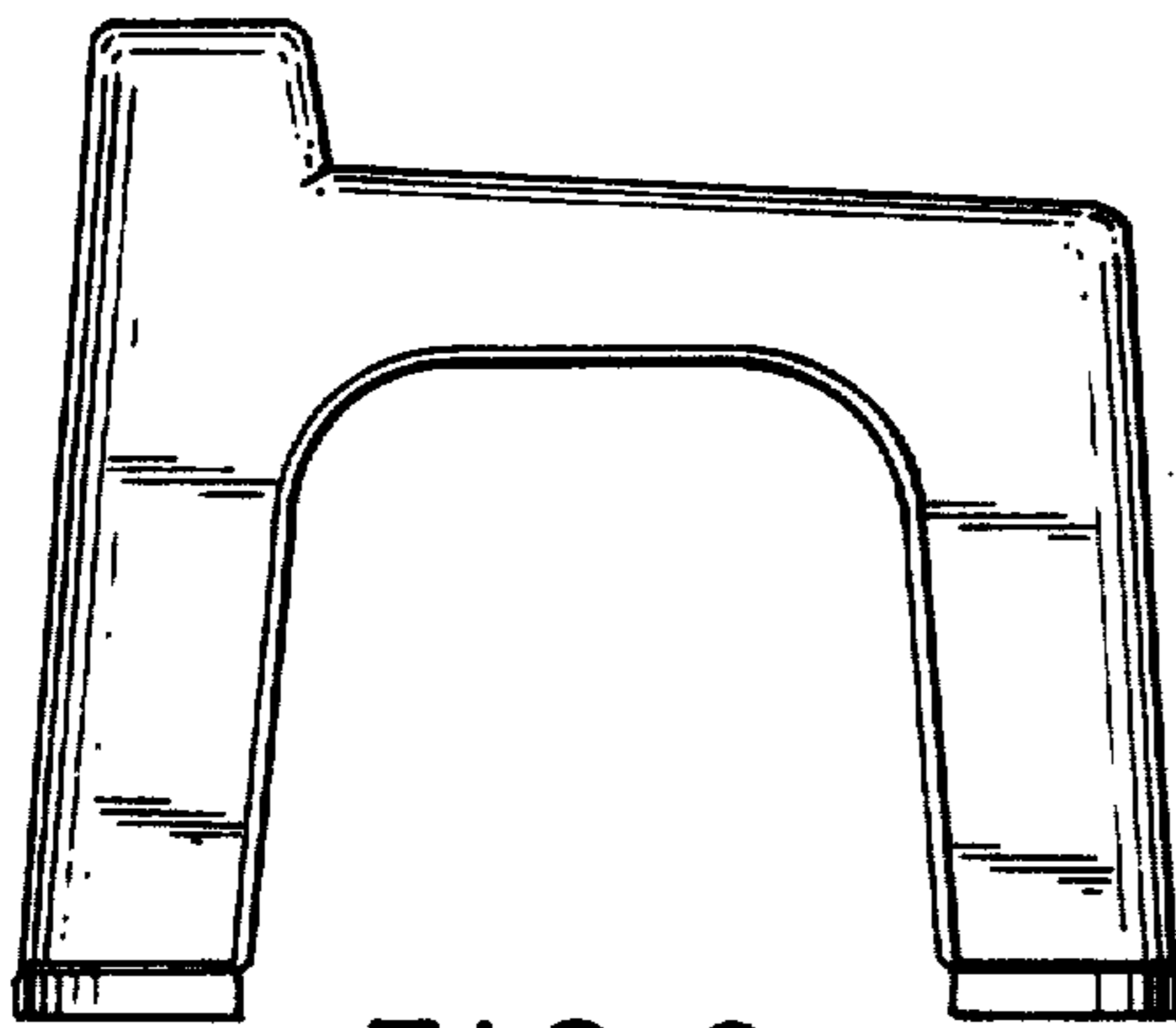


FIG. 2

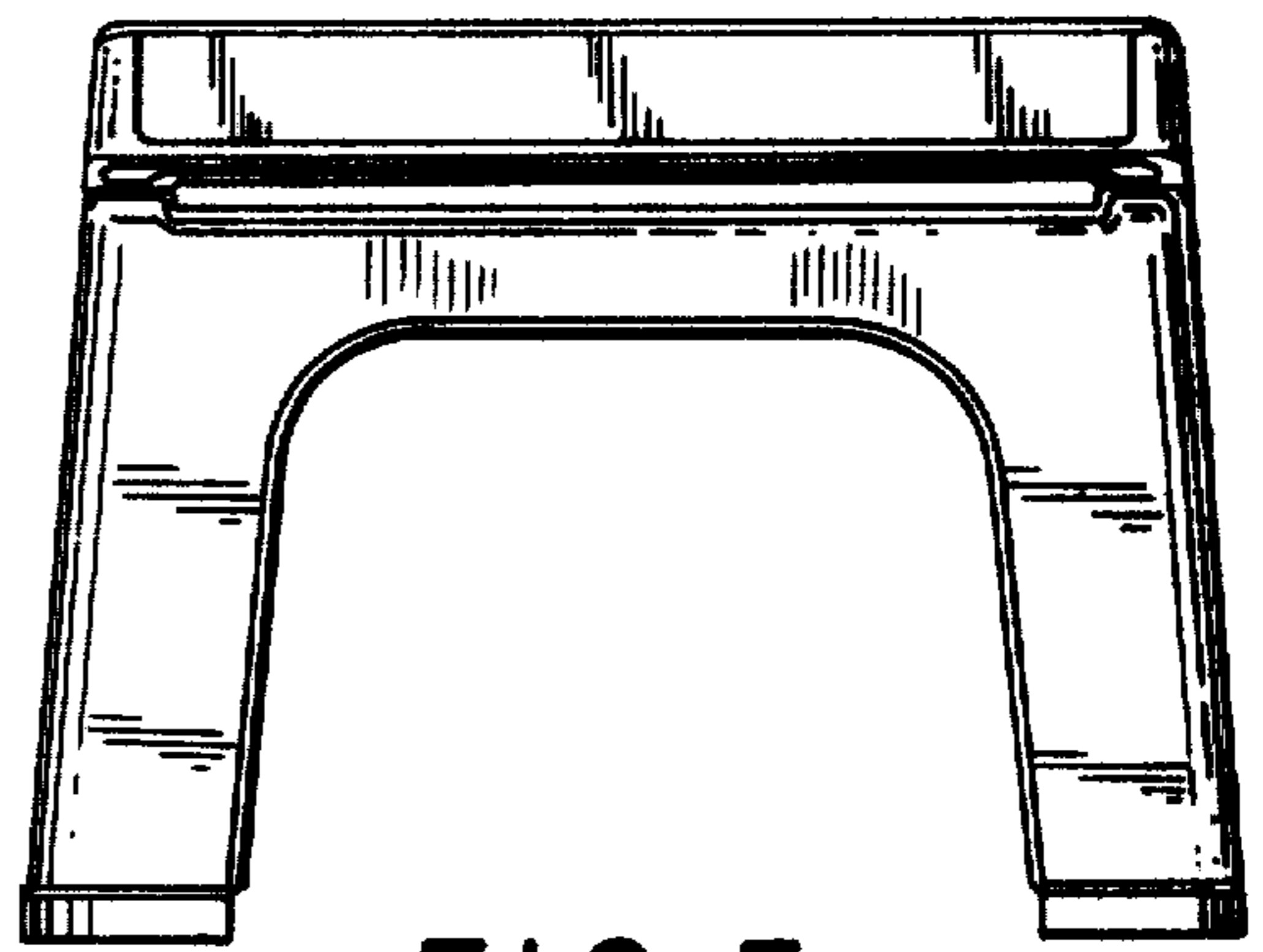


FIG. 3

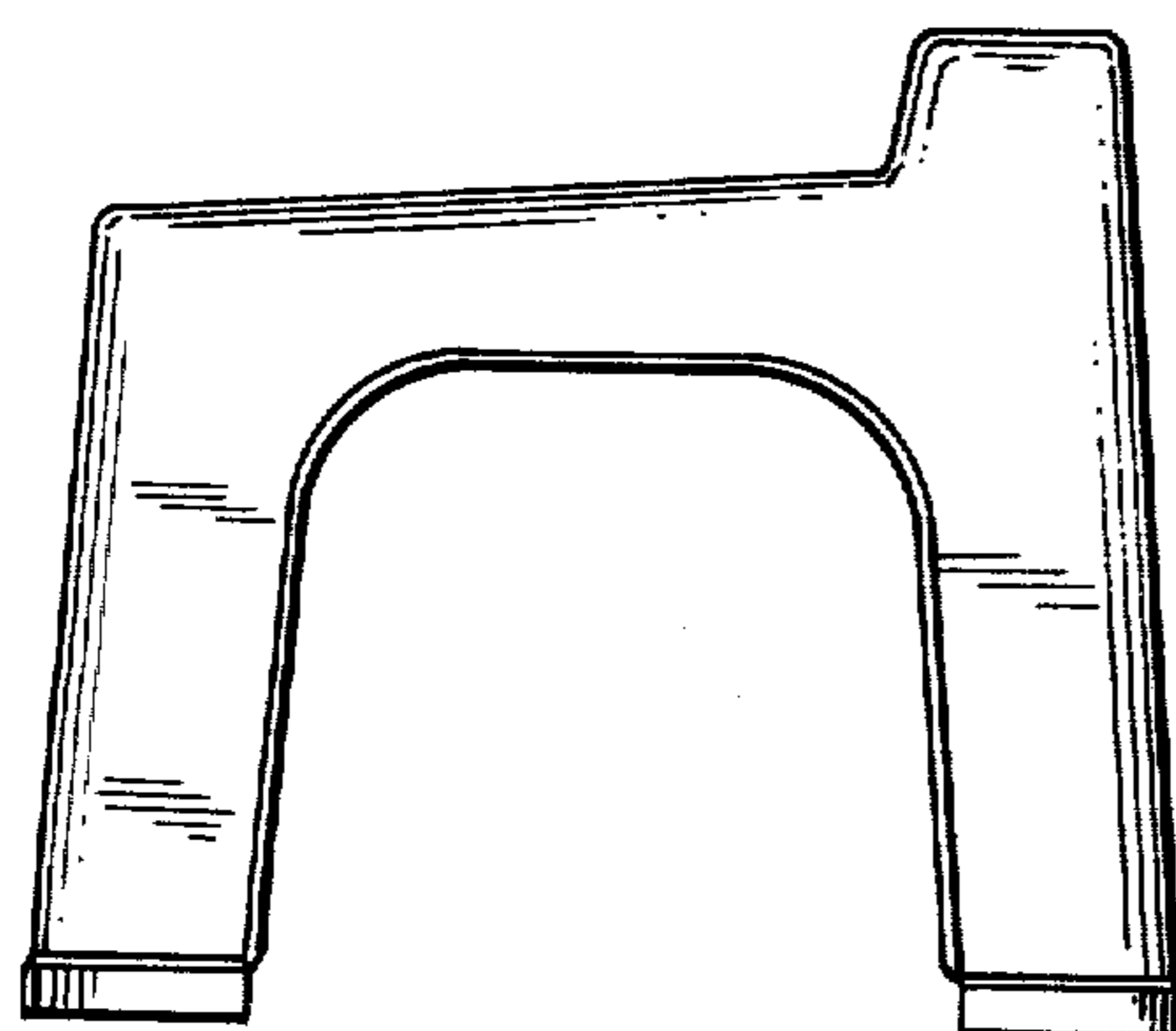


FIG. 4

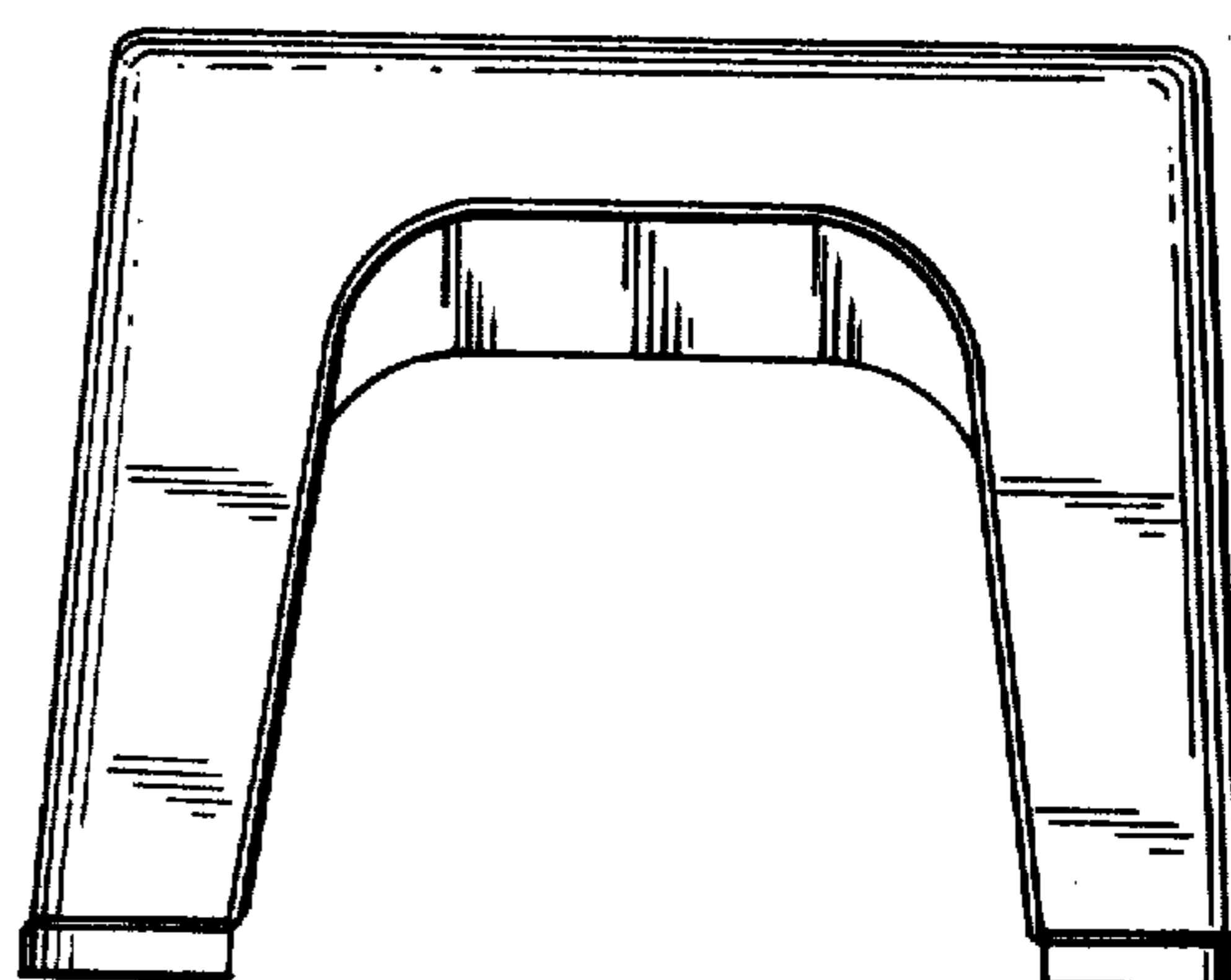


FIG. 5

FIG. 6

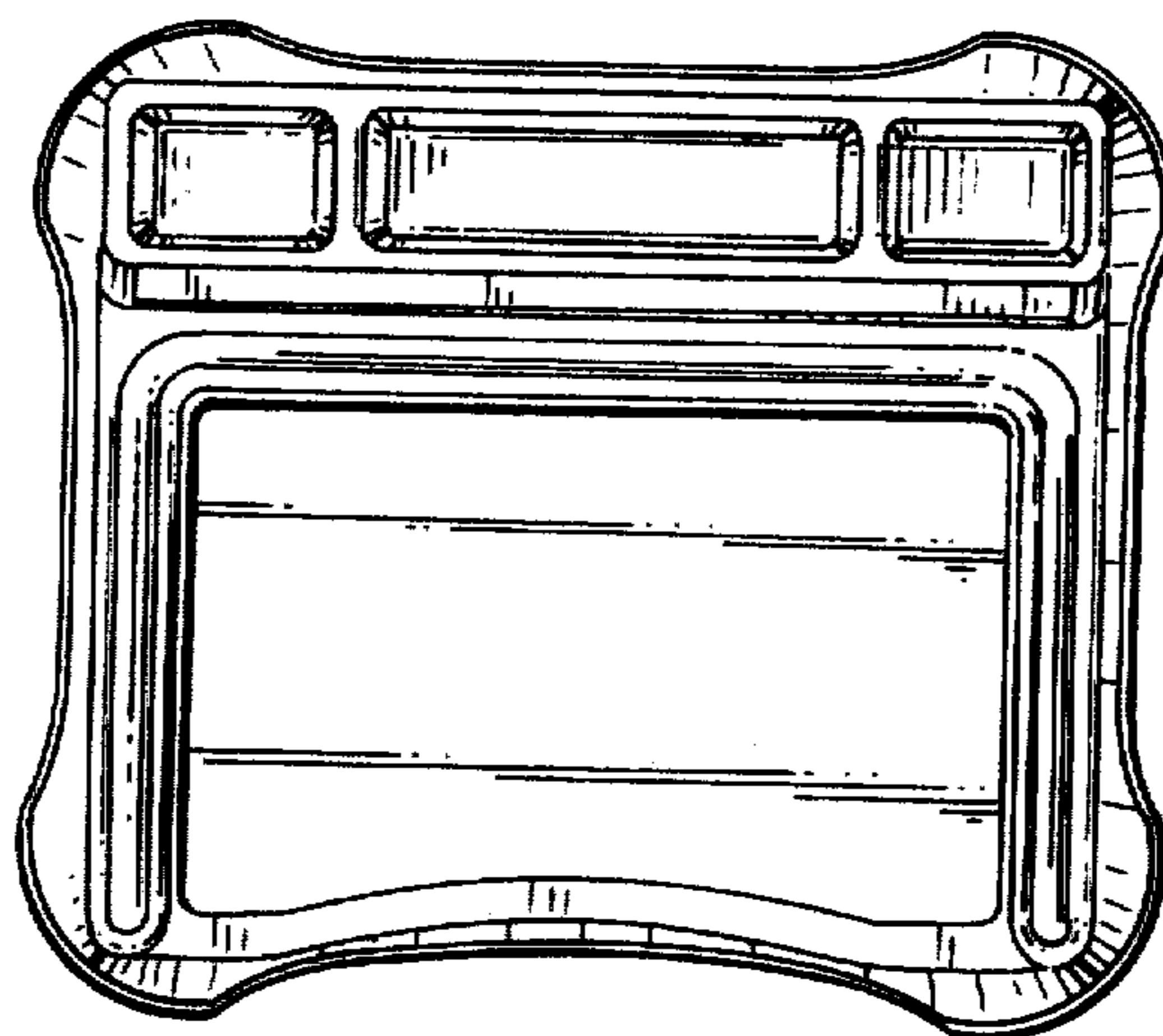


FIG. 7

