

[54] **BOOK PAGE HOLDER**

[76] Inventor: **Bert Tisdale**, 4643 197th St., Langley,
British Columbia, Canada, V3A 4H3

[**] Term: **14 Years**

[21] Appl. No.: **117,801**

[22] Filed: **Feb. 1, 1980**

[51] Int. Cl. **D19-99**

[52] U.S. Cl. **D19/34; D19/65**

[58] Field of Search **D19/34, 65, 88, 91,
D19/99, 100; D8/395; 281/42, 45, 15 B; 24/81
AP, 81 PC; D20/42; 248/452**

[56] **References Cited**

U.S. PATENT DOCUMENTS

D. 256,806 9/1980 Tisdale D19/34

1,989,193 1/1935 Gray 281/42
2,219,091 10/1940 Henderson 248/452
4,015,813 4/1977 Graham D19/91

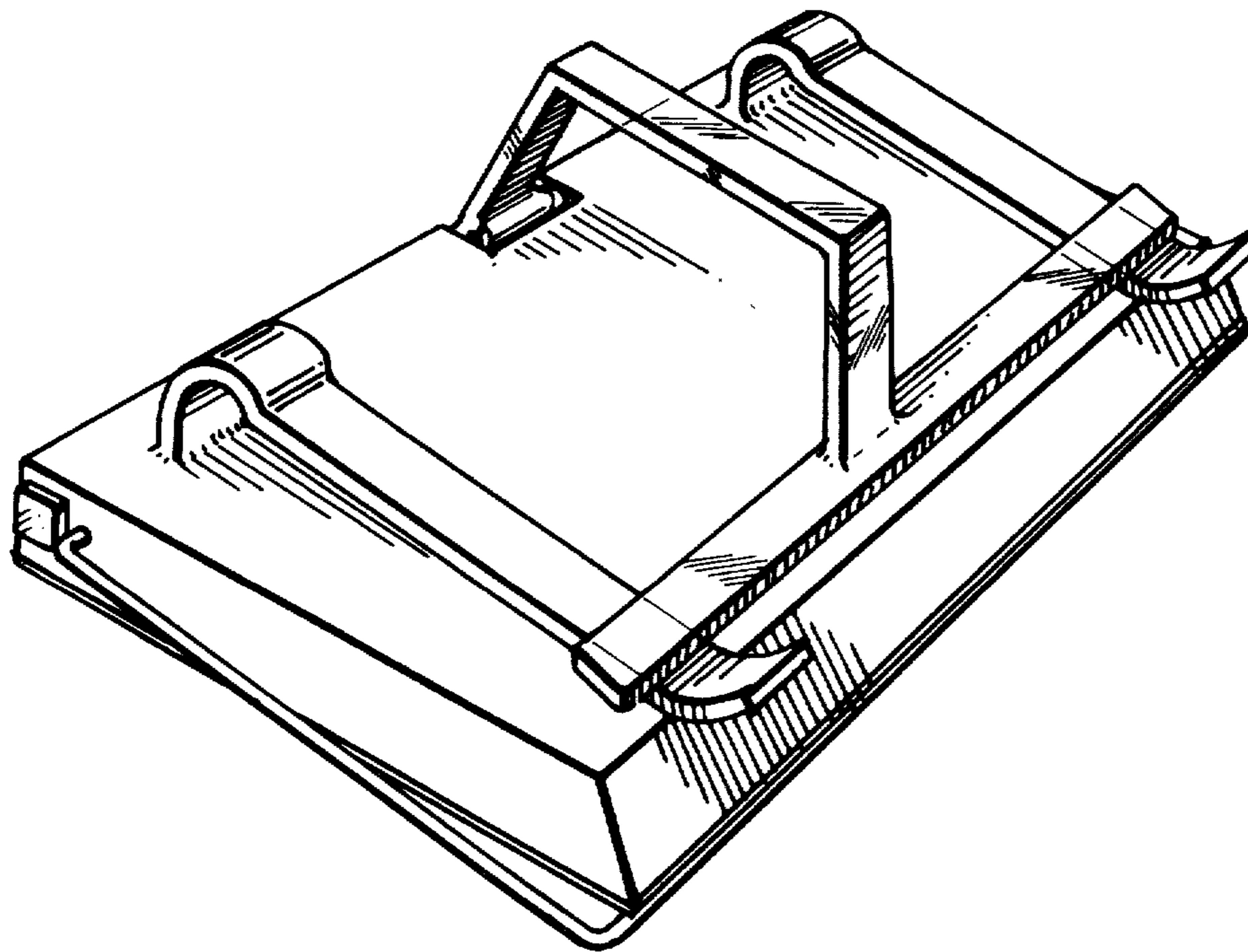
Primary Examiner—George P. Word
Attorney, Agent, or Firm—Jenkins, Coffey, Hyland,
Badger & Conard

[57] **CLAIM**

The ornamental design for a book page holder, as shown.

DESCRIPTION

FIG. 1 is a left side elevational view of a book page holder showing my new design;
FIG. 2 is a front elevational view thereof;
FIG. 3 is a right side elevational view thereof;
FIG. 4 is a rear elevational view thereof;
FIG. 5 is a perspective view thereof; and
FIG. 6 is a bottom perspective view thereof.



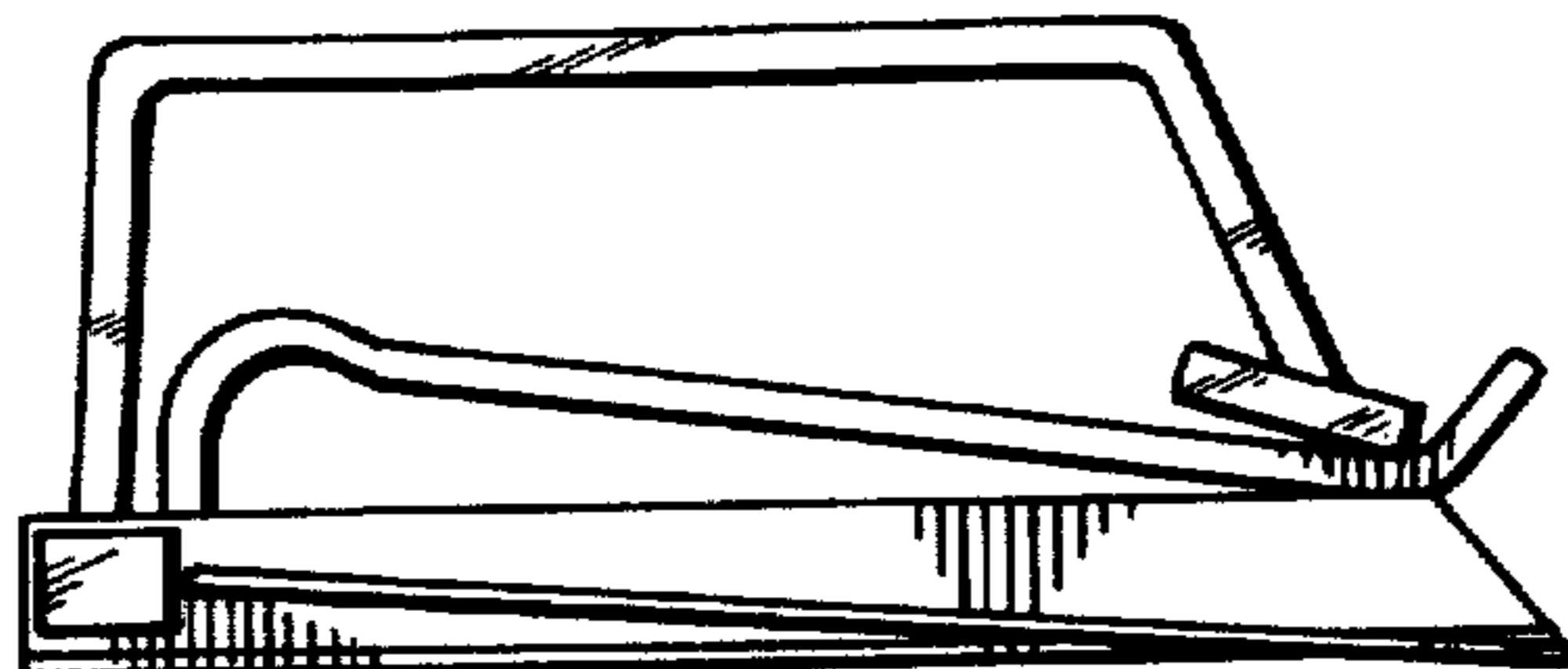


FIG. 1

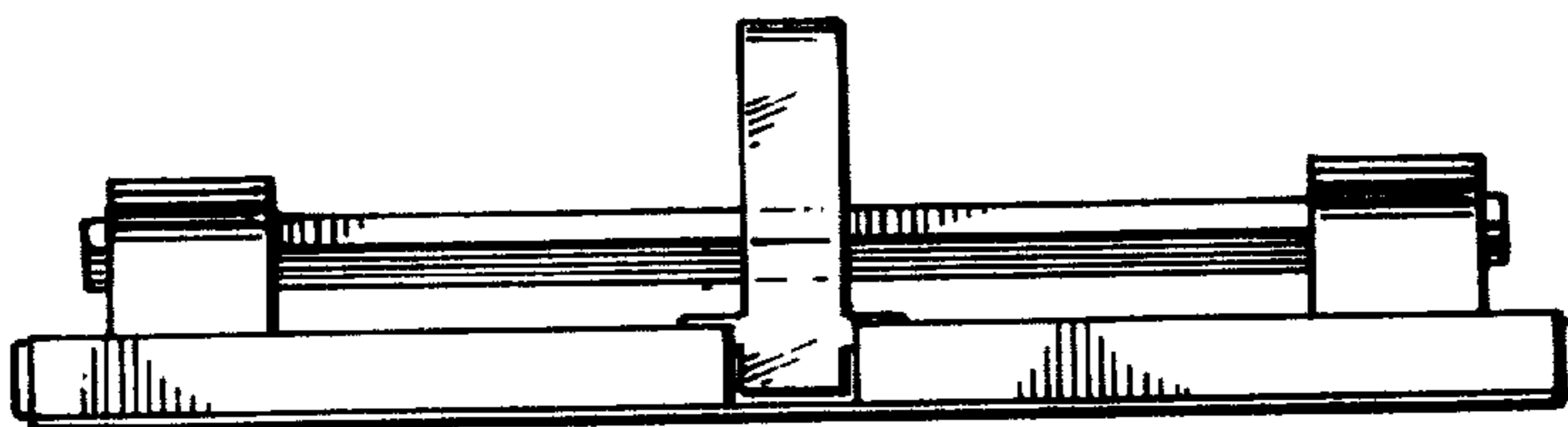


FIG. 2

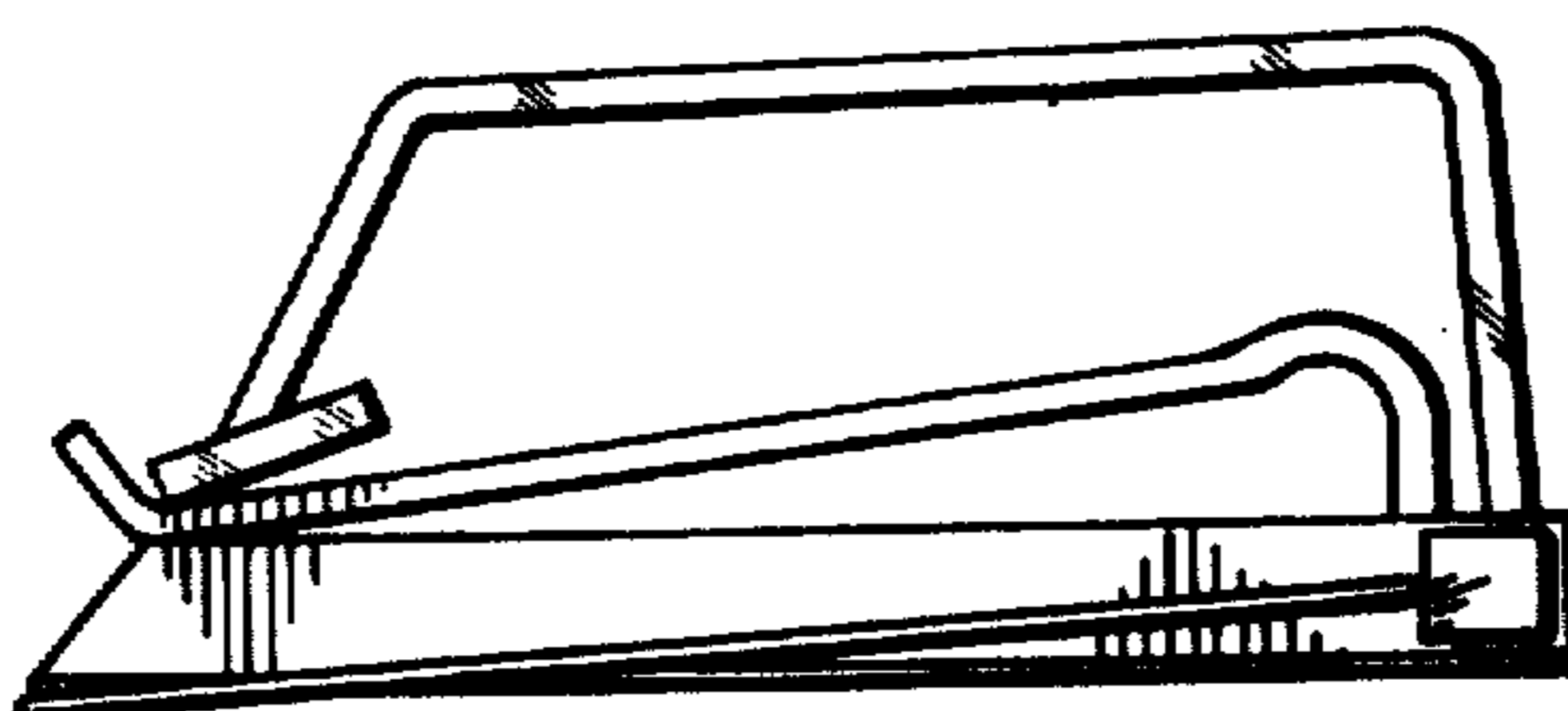


FIG. 3

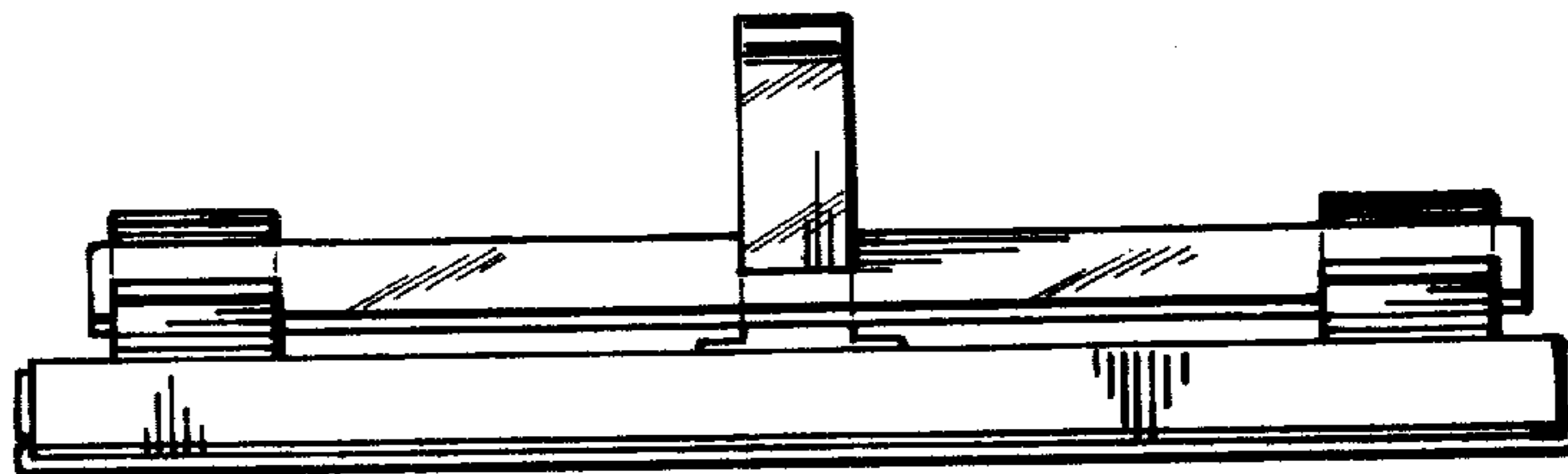


FIG. 4

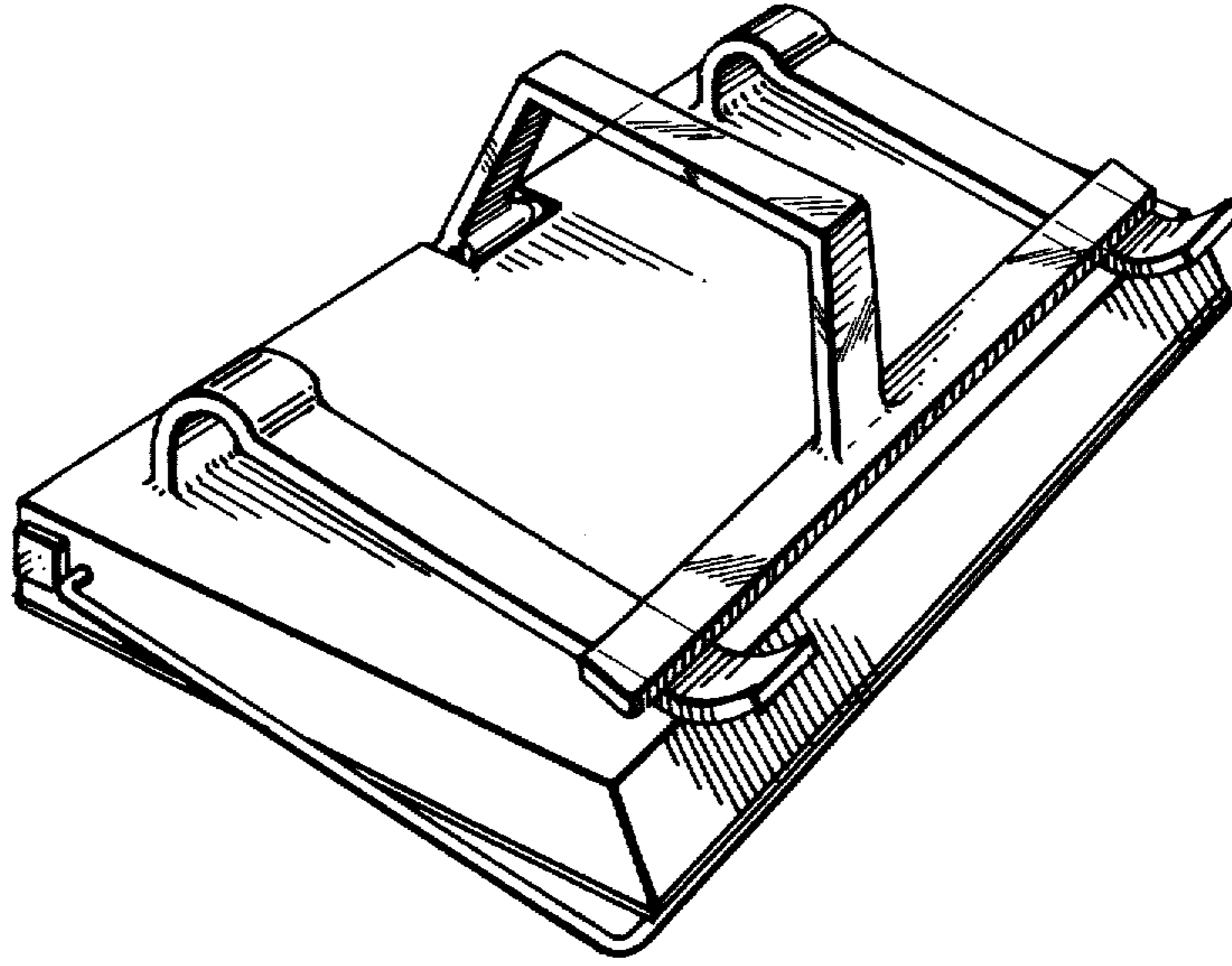


FIG. 5

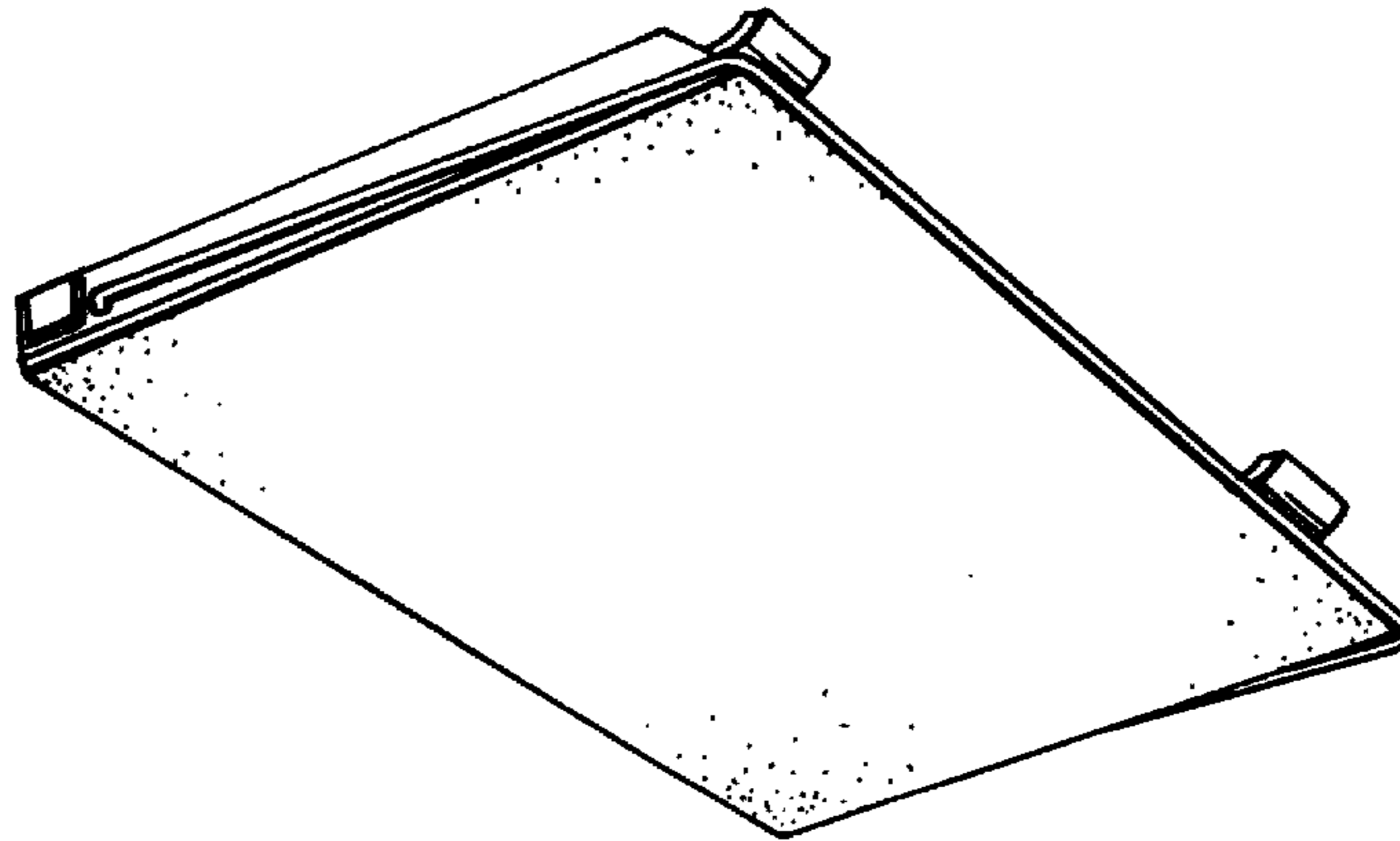


FIG. 6