

[54] HOLDER FOR FILING FOLDED MATTER

523398 4/1955 Italy ..... 211/45  
403711 6/1966 Switzerland ..... 312/184

[75] Inventor: Thorbjorn Petersen, Hillerod, Denmark

Primary Examiner—George P. Word  
Attorney, Agent, or Firm—Knobbe, Martens, Olson & Bear

[73] Assignee: Hexacon Property ApS, Copenhagen, Denmark

[\*\*] Term: 14 Years

[57] CLAIM

[21] Appl. No.: 201,248

The ornamental design for a holder for filing folded matter, as shown and described.

[22] Filed: Oct. 27, 1980

DESCRIPTION

[51] Int. Cl. .... D19-99

FIG. 1 is a perspective view of a holder for filing folded material showing my new design;

[52] U.S. Cl. .... D19/32; D19/99

FIG. 2 is a top plan view thereof, the bottom plan view being a mirror image thereof;

[58] Field of Search ..... D19/26, 27, 32-34; 211/45, 46, 1.3; 312/184; 282/29 R

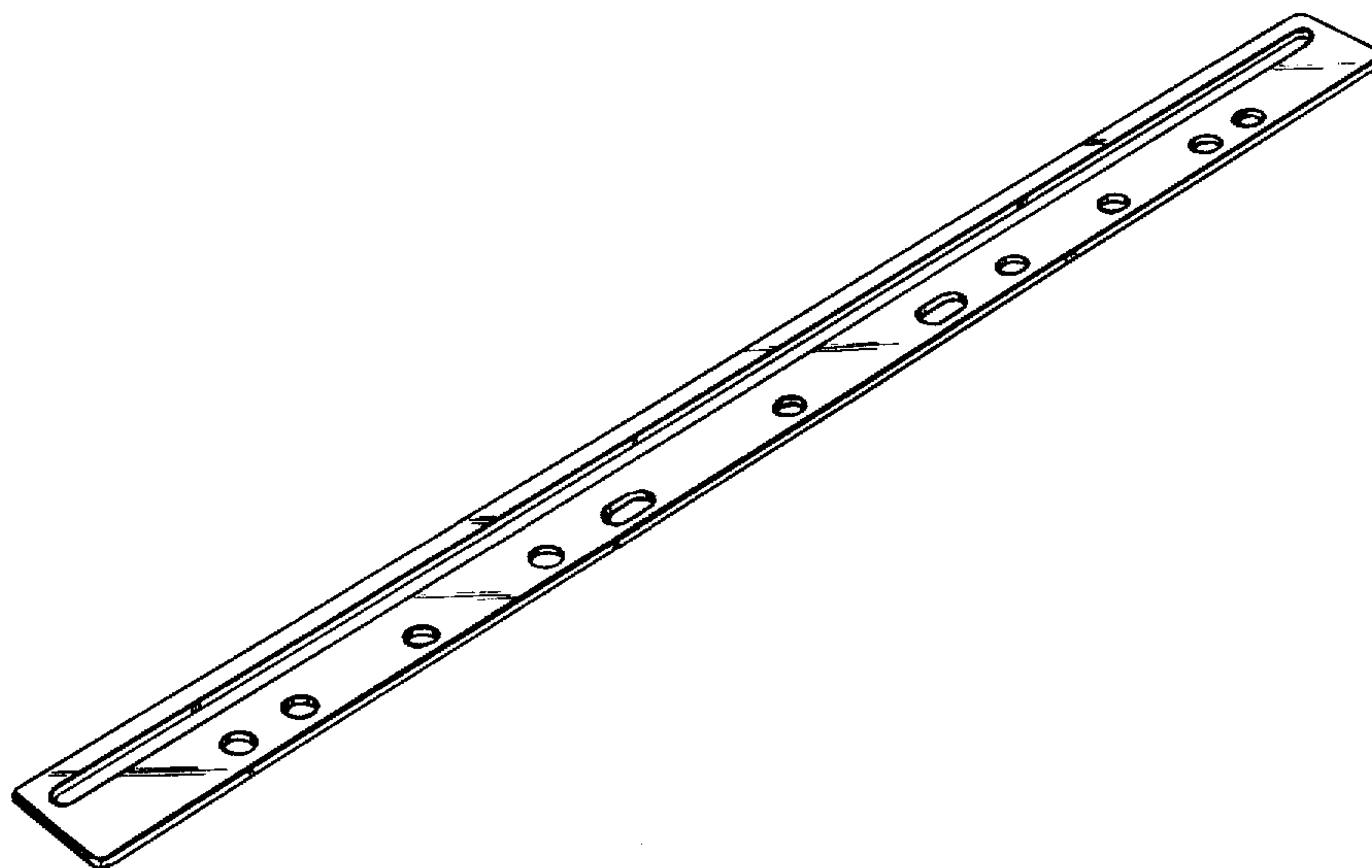
FIG. 3 is a view of one longitudinal edge of the holder, which is a mirror image of the other longitudinal edge; and

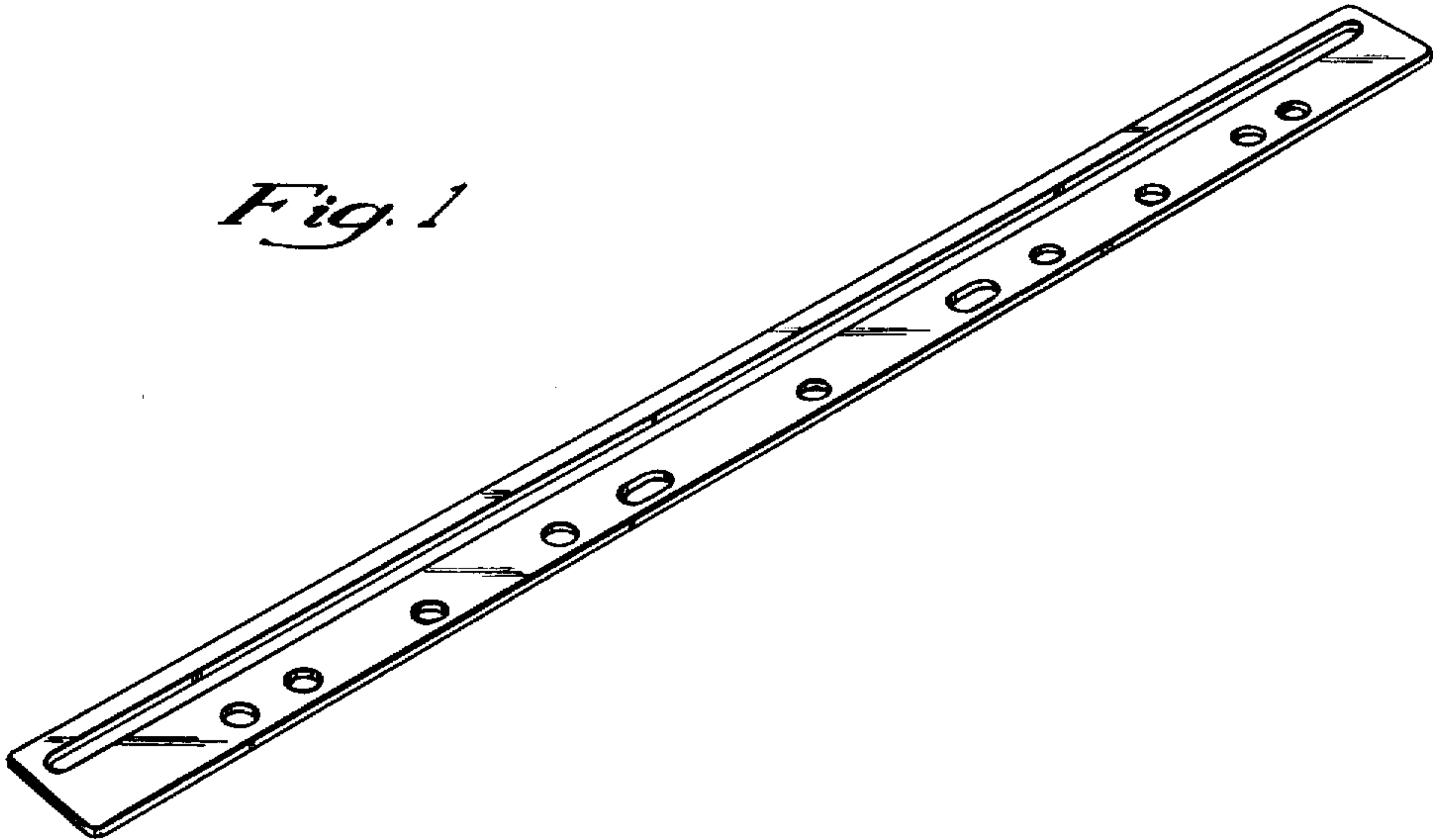
[56] References Cited

FOREIGN PATENT DOCUMENTS

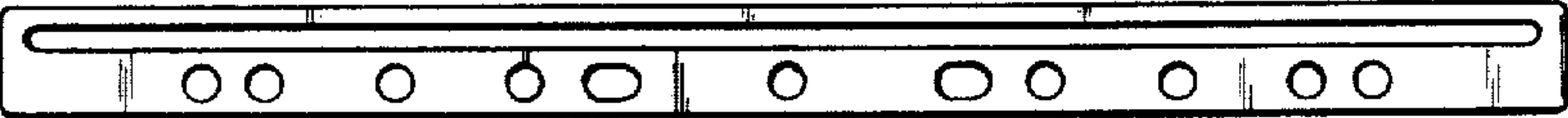
1065729 6/1979 Canada ..... 312/184

FIG. 4 is a view of the end edge of the holder, which is a mirror image of the other end edge.





*Fig. 3*



*Fig. 2*



*Fig. 4*