

[54] **ILLUMINATED MAGNIFIER**
[75] **Inventor:** Thomas D. Tweedie, Monrovia, Calif.
[73] **Assignee:** Tung On Development Co. Ltd.,
Hong Kong
[**] **Term:** 14 Years
[21] **Appl. No.:** 197,512
[22] **Filed:** Oct. 16, 1980

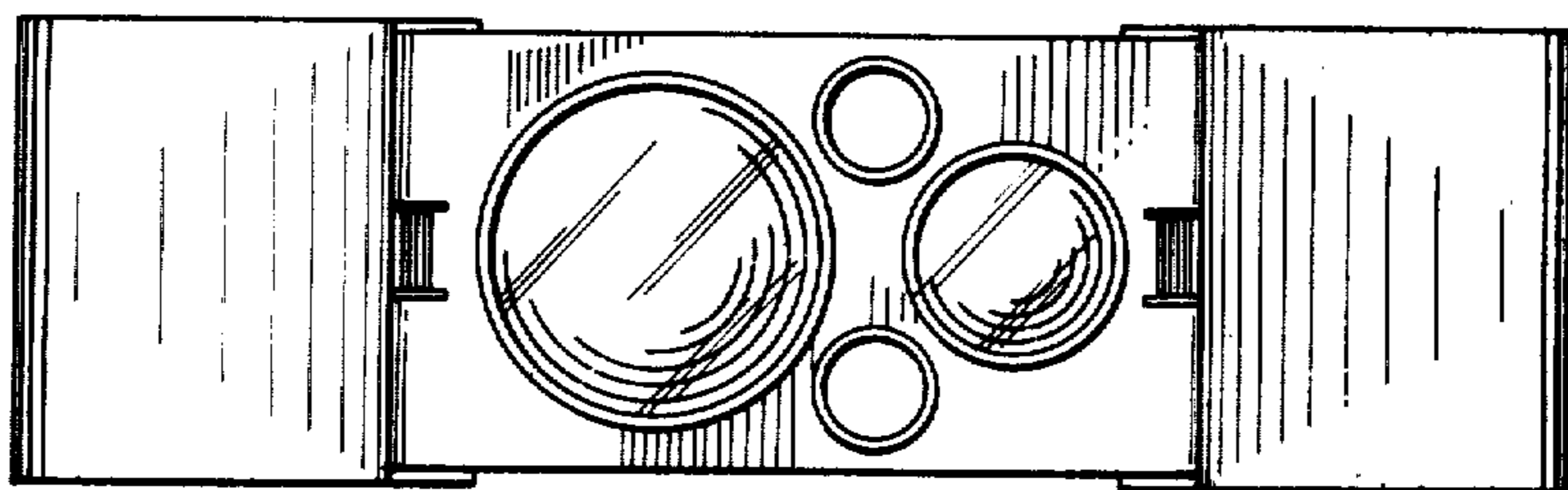
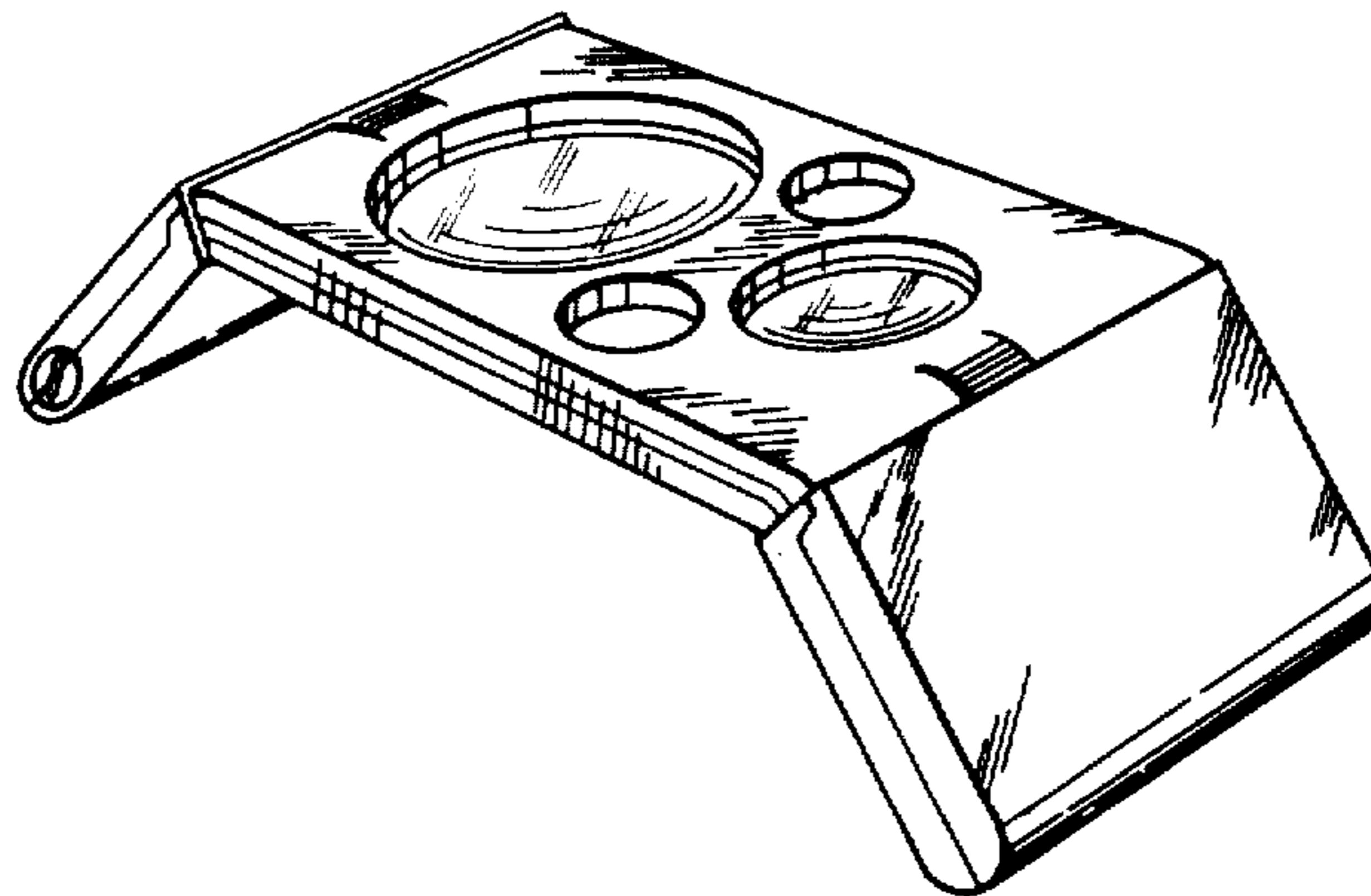
[30] **Foreign Application Priority Data**
Apr. 17, 1980 [GB] United Kingdom 994527
[51] **Int. Cl.** D16-08
[52] **U.S. Cl.** D16/135
[58] **Field of Search** 350/235, 236, 237;
D16/135

[56] **References Cited**
U.S. PATENT DOCUMENTS
D. 194,709 2/1963 Vernon D16/135
D. 256,589 8/1980 Iwashita D16/135
1,557,605 10/1925 O'Meara D16/135 X
3,446,127 5/1969 Silverman et al. D16/135 X

Primary Examiner—Bernard Ansher
Attorney, Agent, or Firm—Learman & McCulloch

[57] **CLAIM**
The ornamental design for an illuminated magnifier, as shown and described.

DESCRIPTION
FIG. 1 is a top perspective view of an illuminated magnifier in a folded condition, showing my new design; FIG. 2 is a top plan view thereof; FIG. 3 is a front elevation thereof; FIG. 4 is an end elevation thereof; FIG. 5 is a top perspective view in a fully open position; FIG. 6 is a top plan view thereof; FIG. 7 is a front elevation thereof; and FIG. 8 is an end elevation thereof.



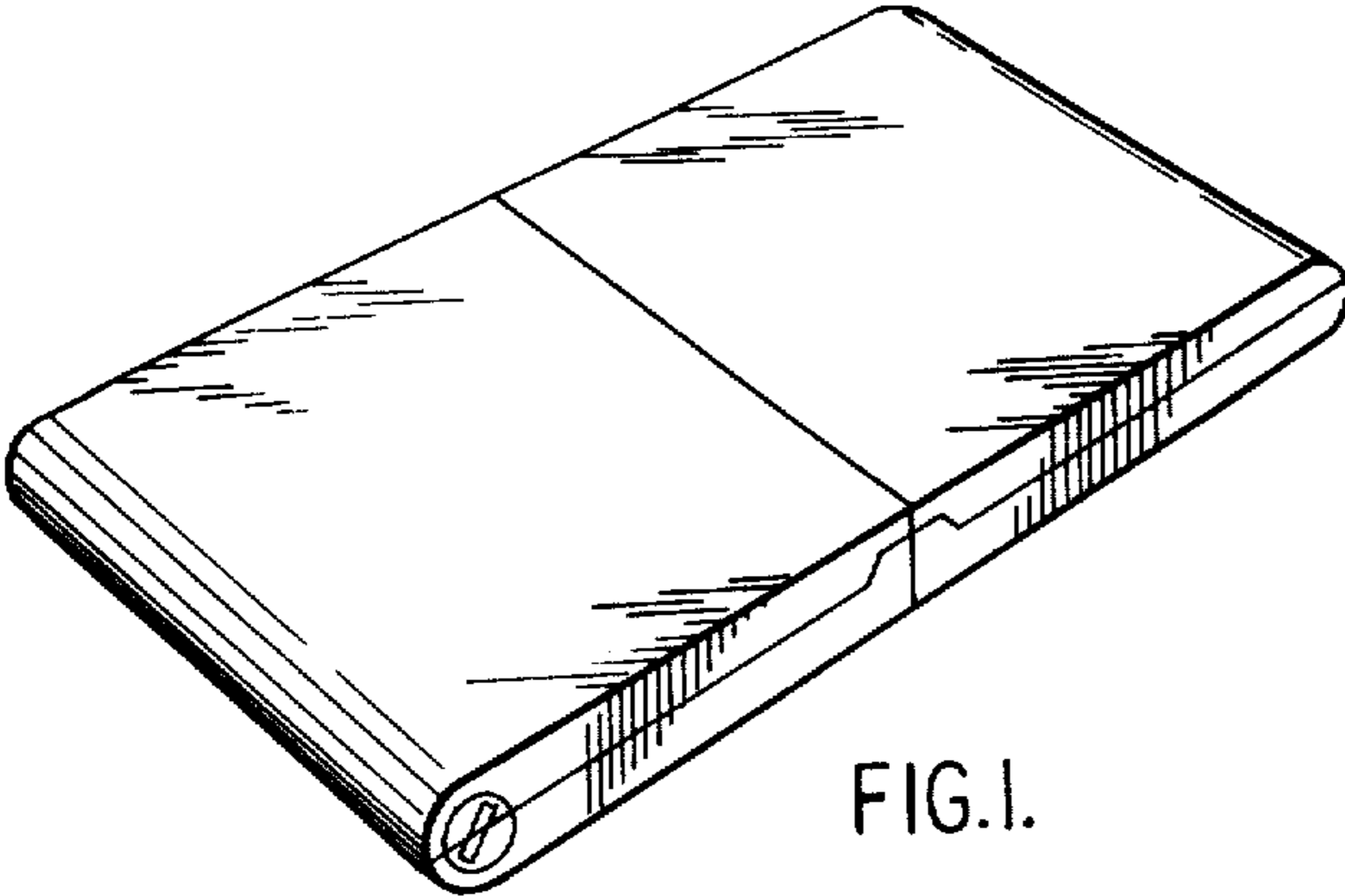


FIG. 1.

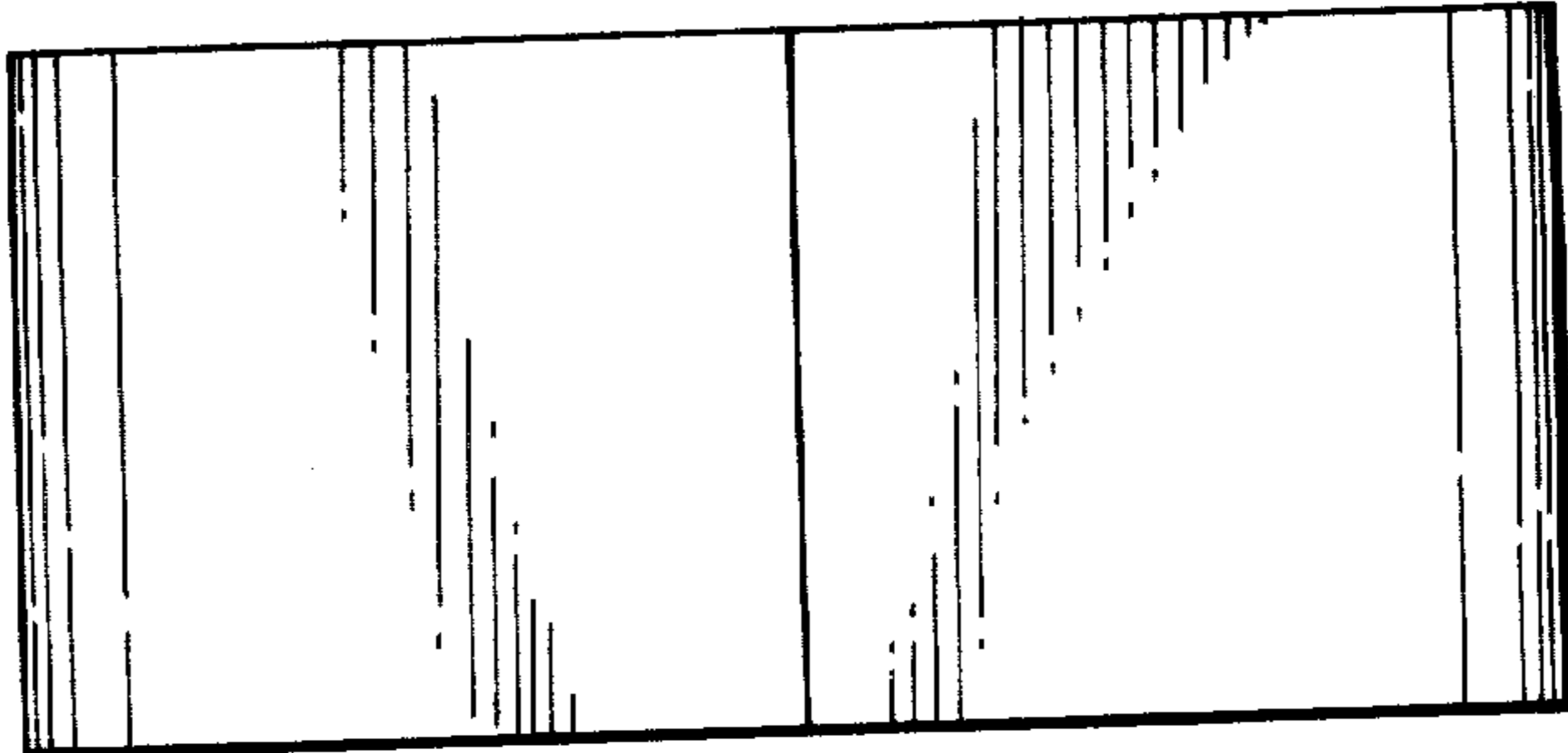


FIG. 2.

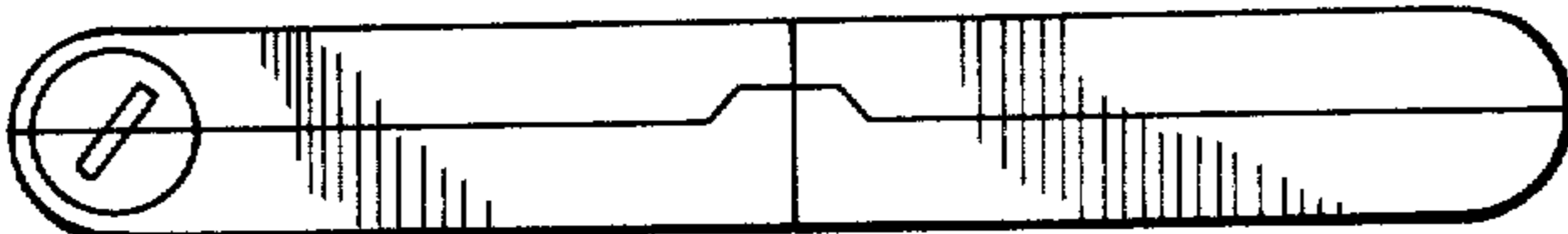


FIG. 3.

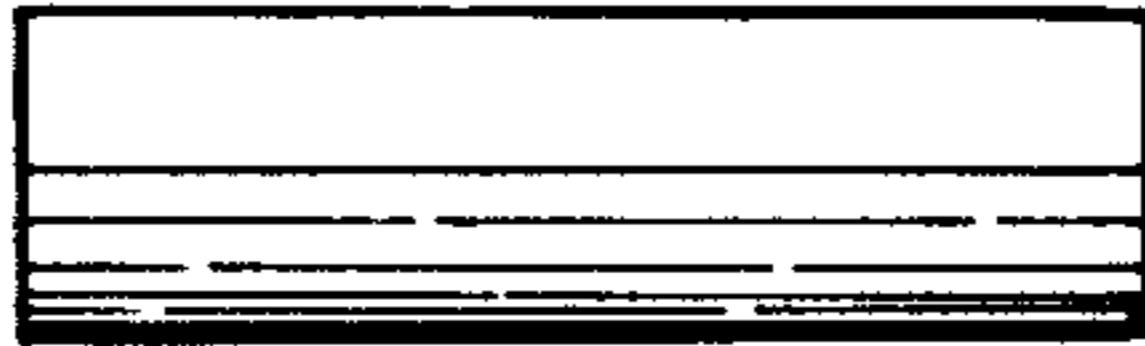


FIG. 4.

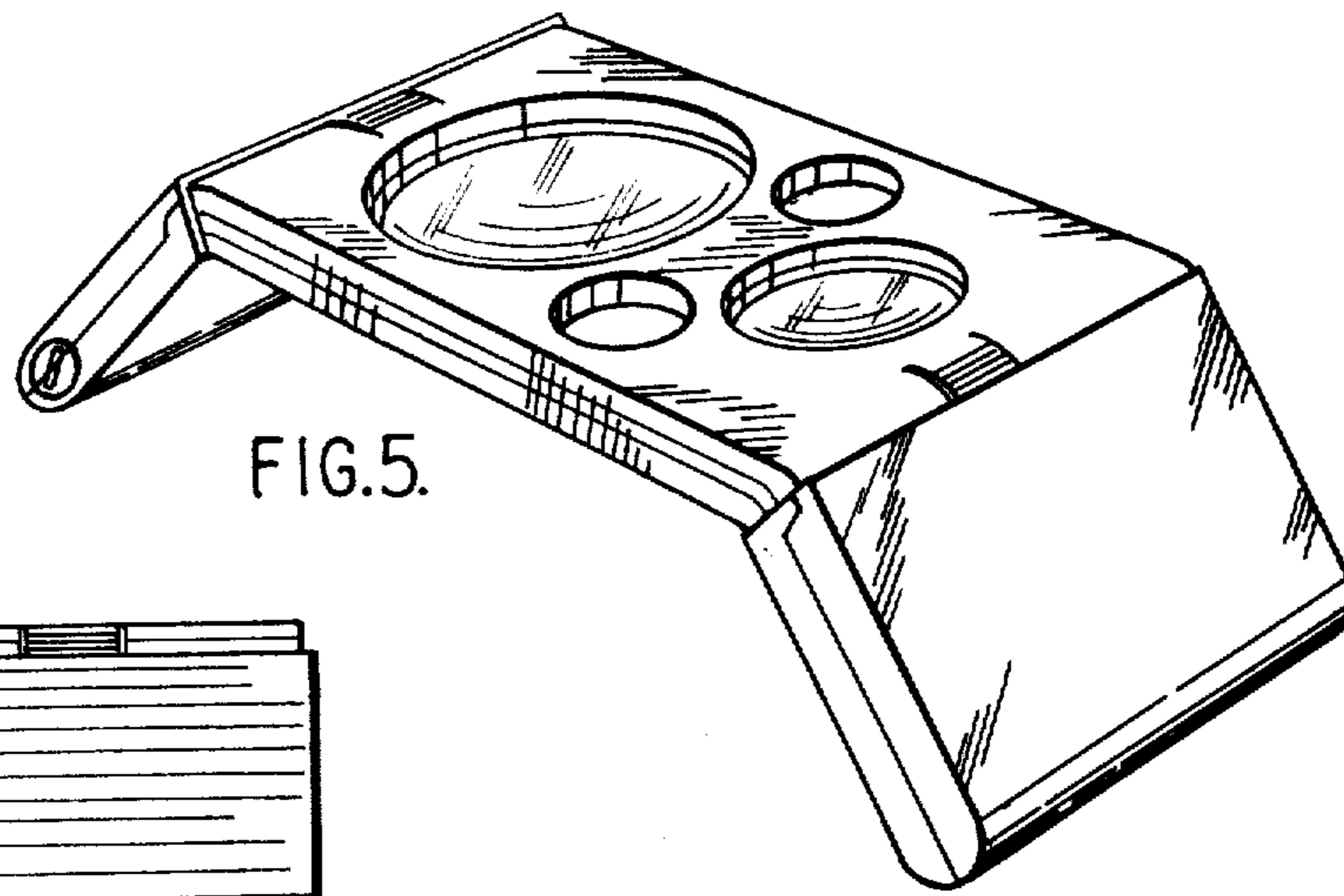


FIG. 5.

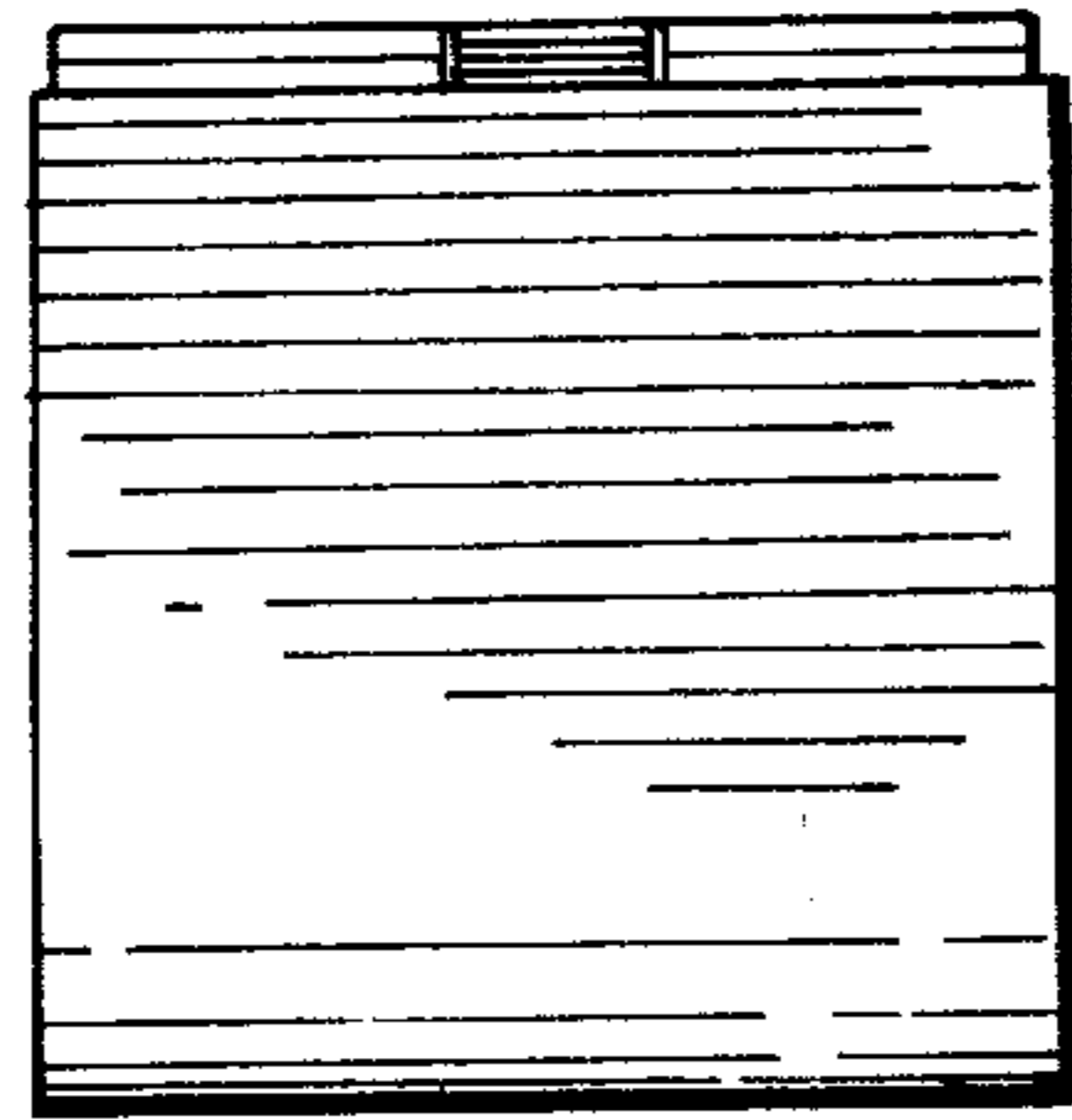


FIG. 8.

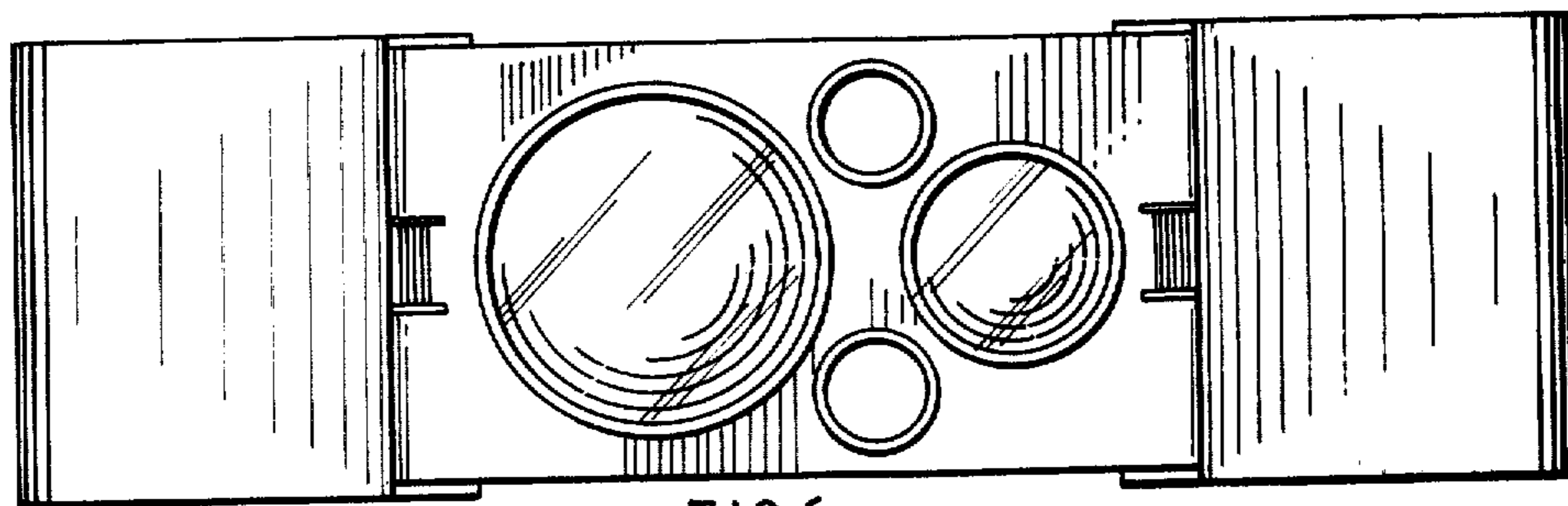


FIG. 6.

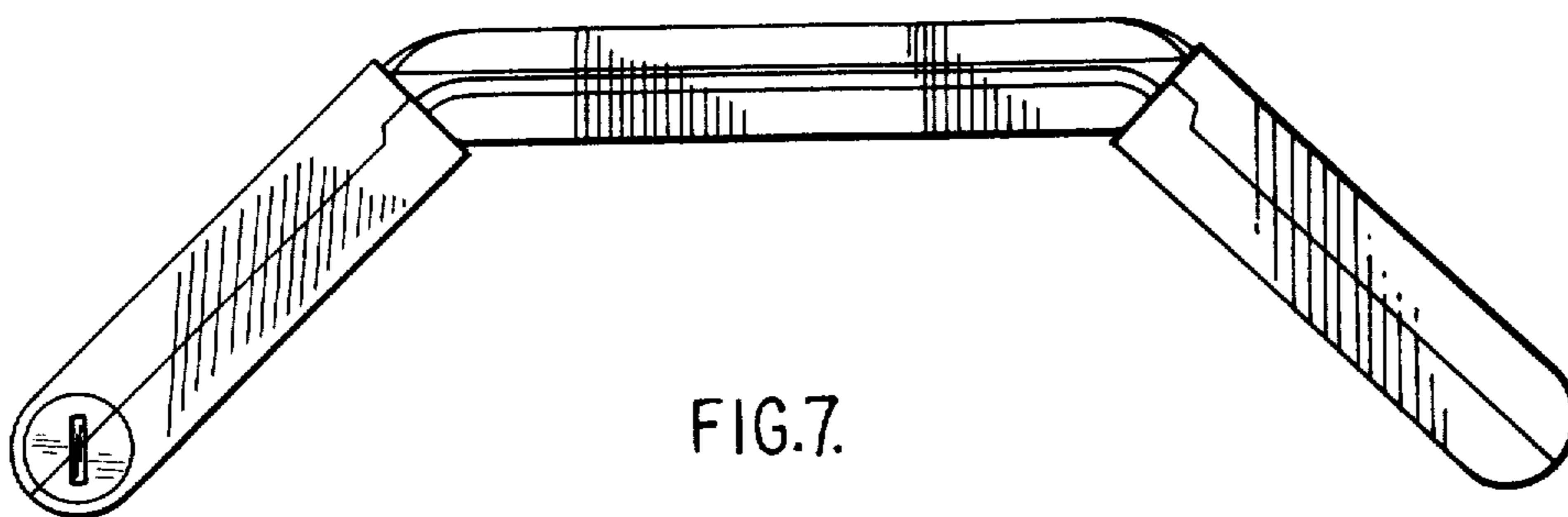


FIG. 7.

UNITED STATES PATENT AND TRADEMARK OFFICE
CERTIFICATE OF CORRECTION

PATENT NO. : D-269,185
DATED : May 31, 1983
INVENTOR(S) : Thomas D. Tweedie

It is certified that error appears in the above-identified patent and that said Letters Patent are hereby corrected as shown below:

On the title page:

Change the Assignee from "Tung On Development Co. Ltd."

to -- Todco Limited --.

Signed and Sealed this

Thirteenth Day of December 1983

[SEAL]

Attest:

Attesting Officer

GERALD J. MOSSINGHOFF

Commissioner of Patents and Trademarks