

[54] ESPRESSO COFFEE MAKER

[75] Inventor: Jan-Francis van Asten, Leek, Netherlands

[73] Assignee: U.S. Philips Corporation, New York, N.Y.

[**] Term: 14 Years

[21] Appl. No.: 260,526

[22] Filed: May 4, 1981

[30] Foreign Application Priority Data

Nov. 12, 1980 [XB] Benelux 55205-00

[51] Int. Cl. D07-04; D15-08

[52] U.S. Cl. D7/309

[58] Field of Search D7/41, 62; D15/113

[56] References Cited

U.S. PATENT DOCUMENTS

D. 196,629 10/1963 DeCarli D15/113

D. 201,343 6/1965 Immermann et al. D15/113
D. 225,592 12/1972 Bardeau D15/113 X
D. 238,115 12/1975 Marotta D15/113
D. 250,688 1/1979 Felske D15/113 X
D. 265,041 6/1982 Lee et al. D15/113 X

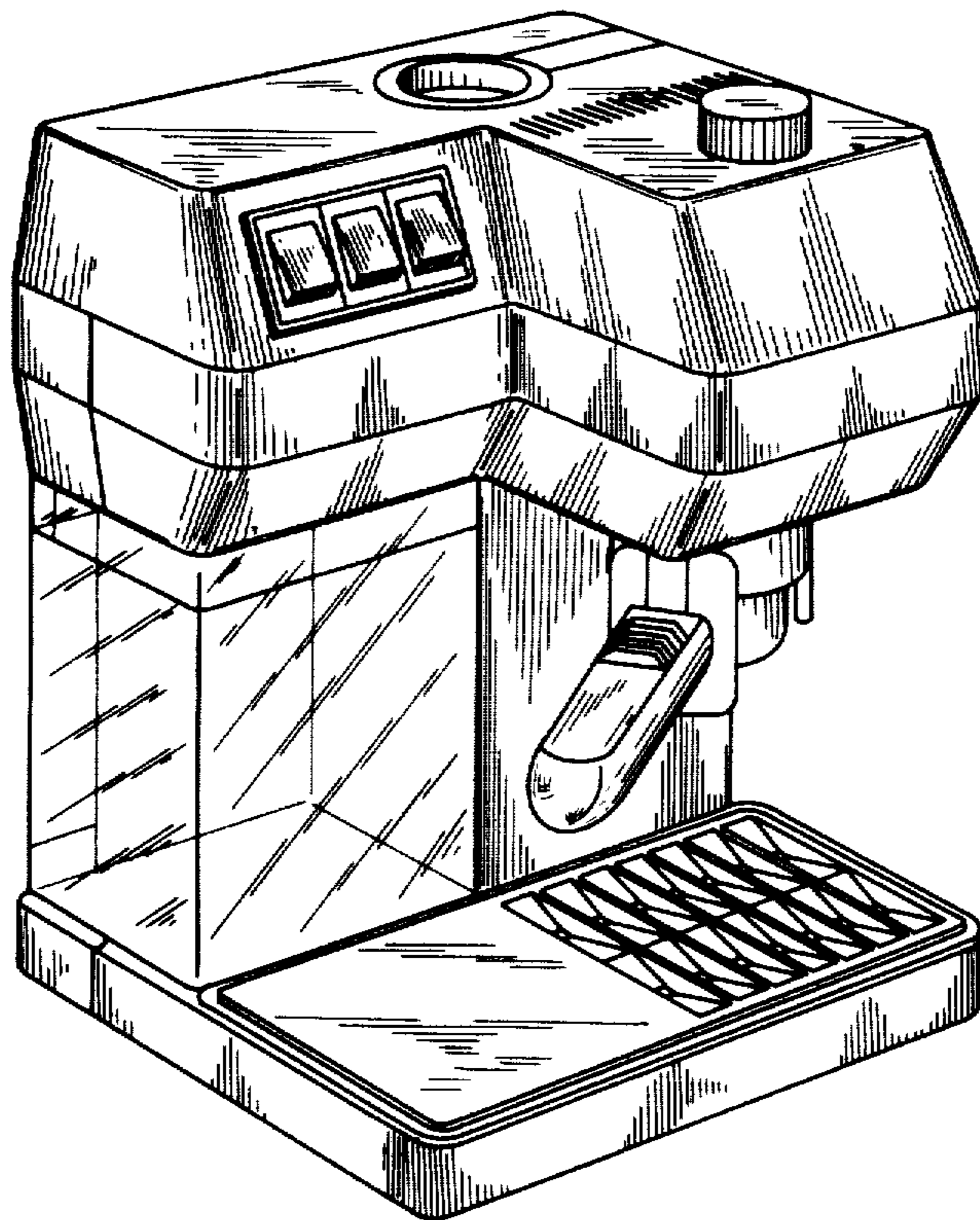
Primary Examiner—Winifred E. Herrmann
Attorney, Agent, or Firm—Thomas A. Briody; William J. Streeter; Rolf E. Schneider

[57] CLAIM

The ornamental design for an espresso coffee maker, as shown.

DESCRIPTION

FIG. 1 is a perspective view of an espresso coffee maker, showing my new design;
FIG. 2 is a front elevational view thereof;
FIG. 3 is a rear elevational view thereof;
FIG. 4 is a left side elevational view thereof;
FIG. 5 is a right side elevational view thereof;
FIG. 6 is a top plan view;
FIG. 7 is a bottom plan view.



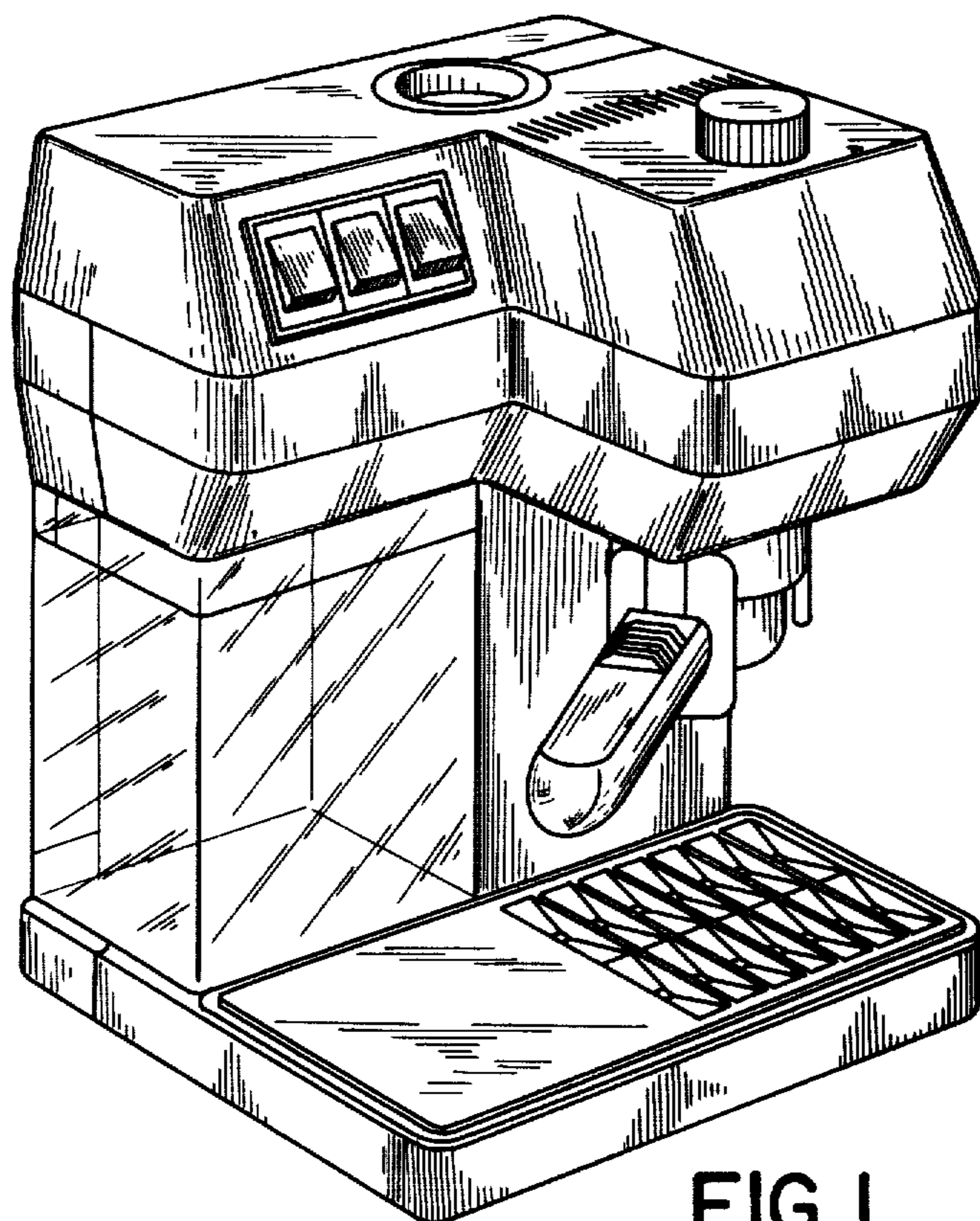


FIG. 1

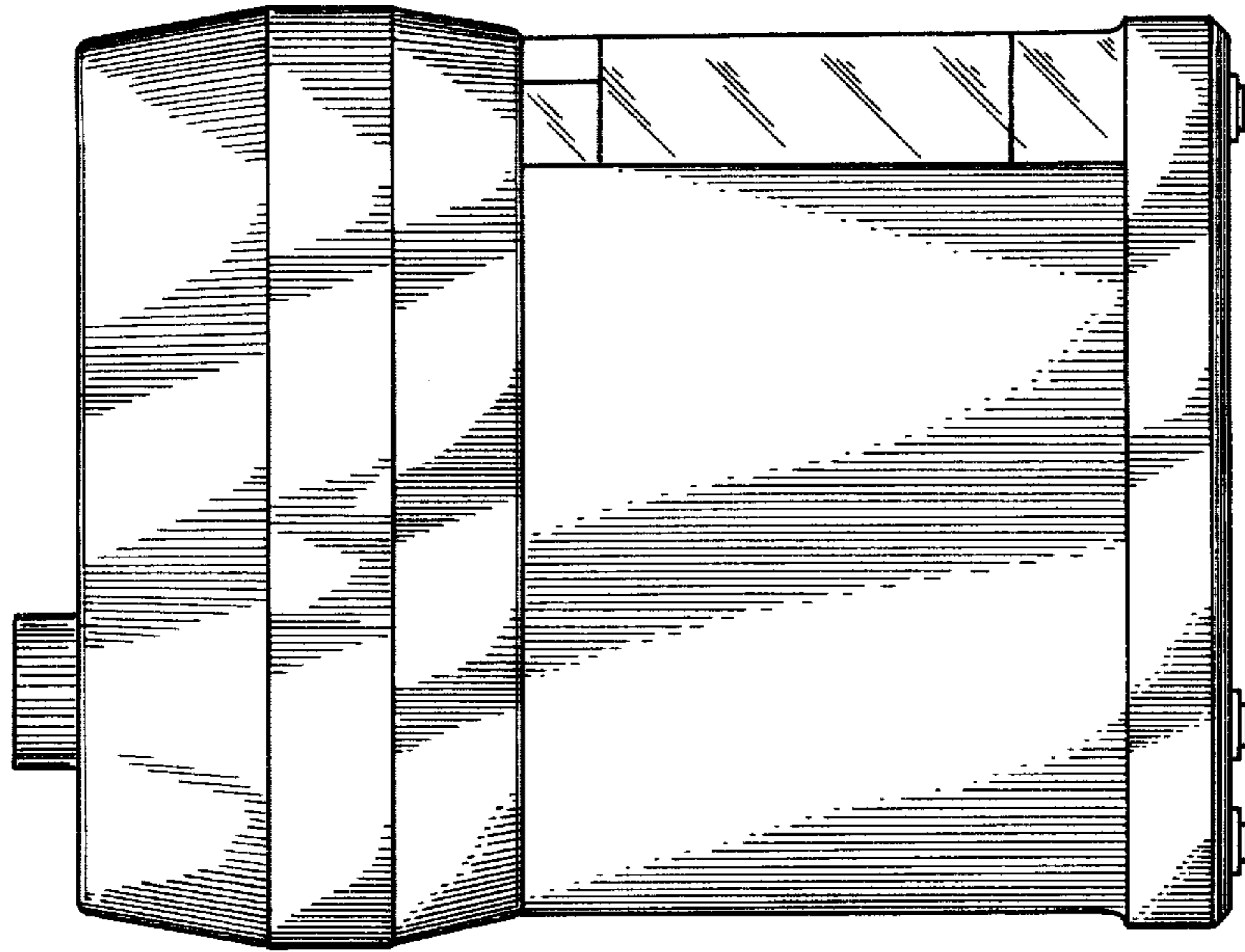


FIG. 3

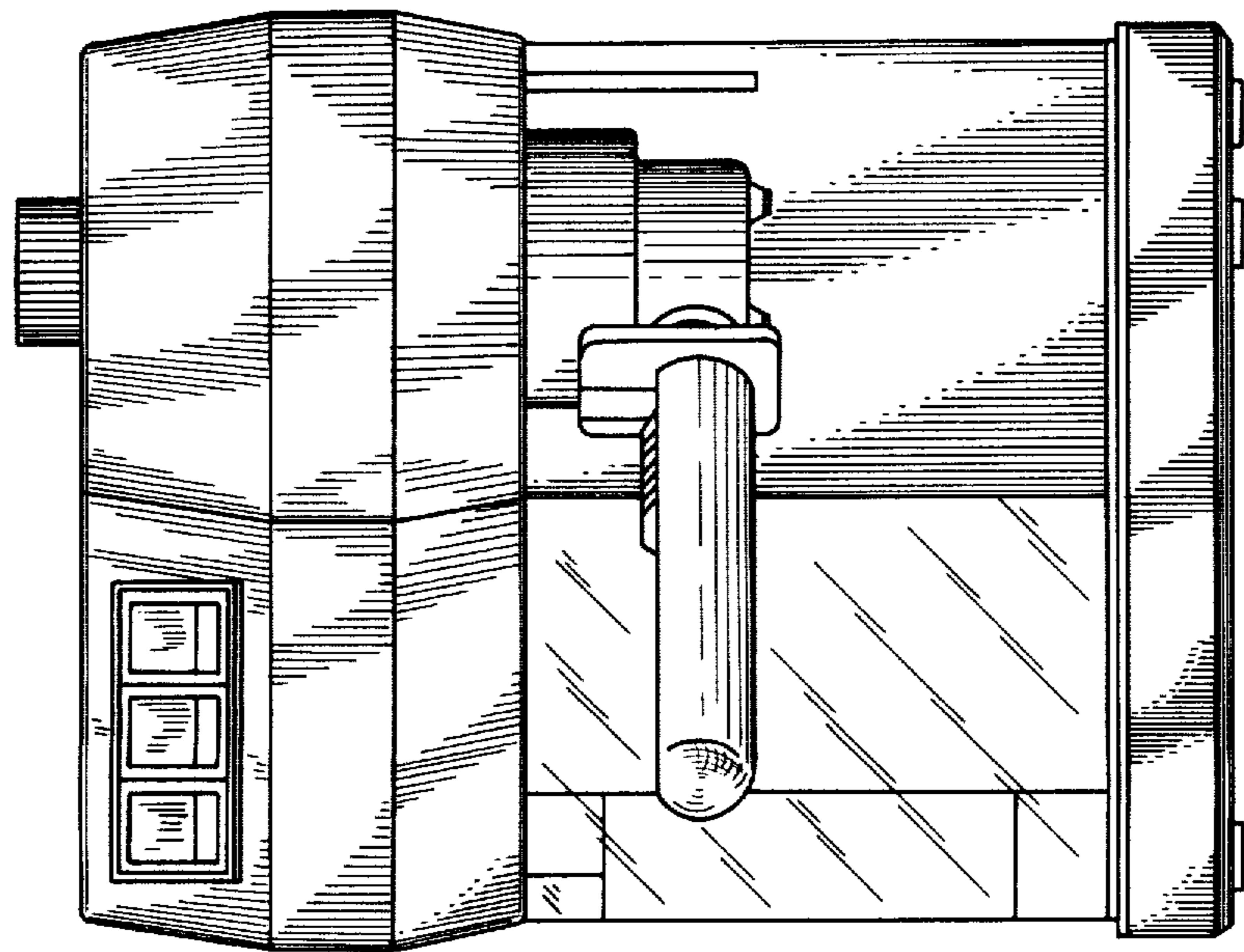


FIG. 2

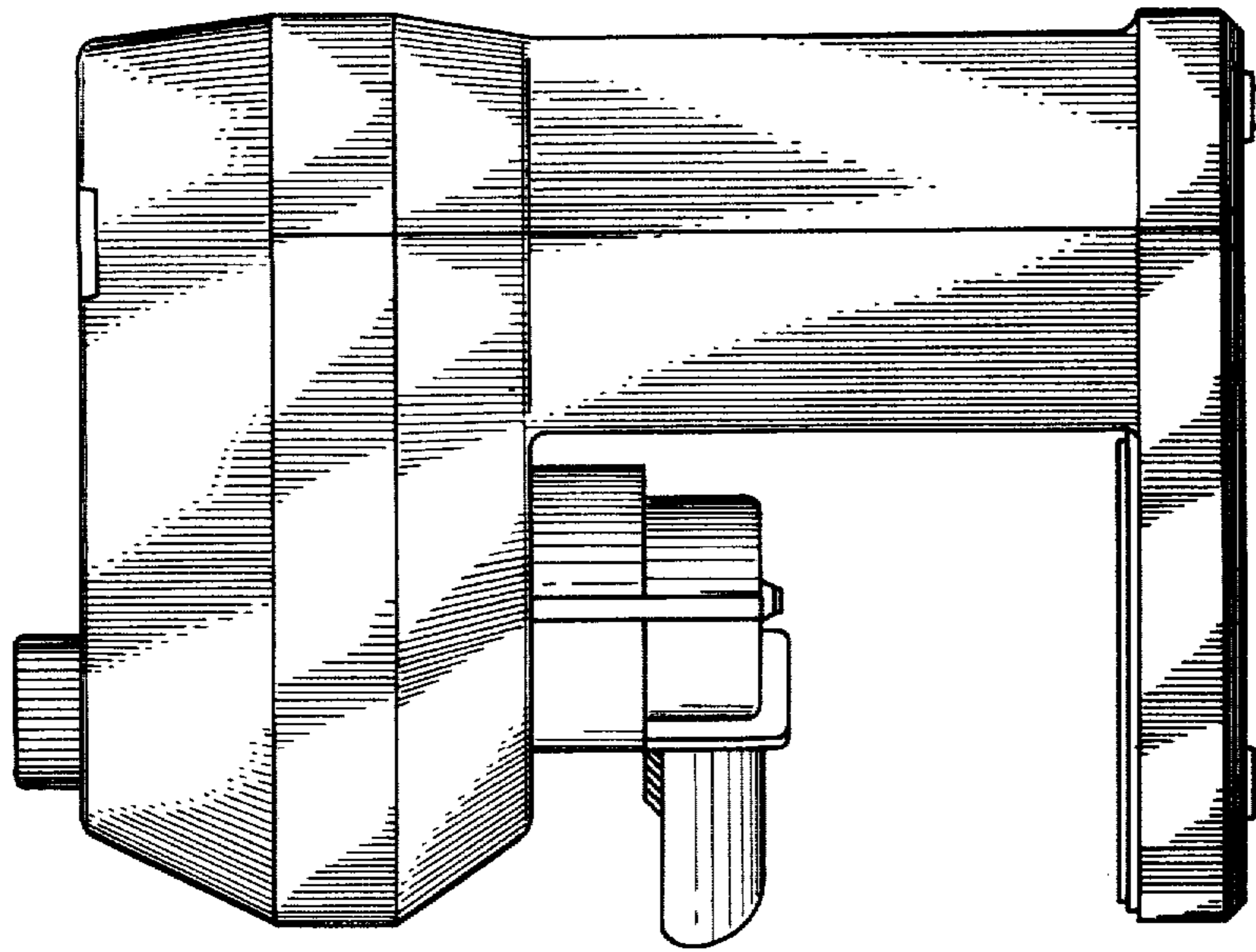


FIG. 5

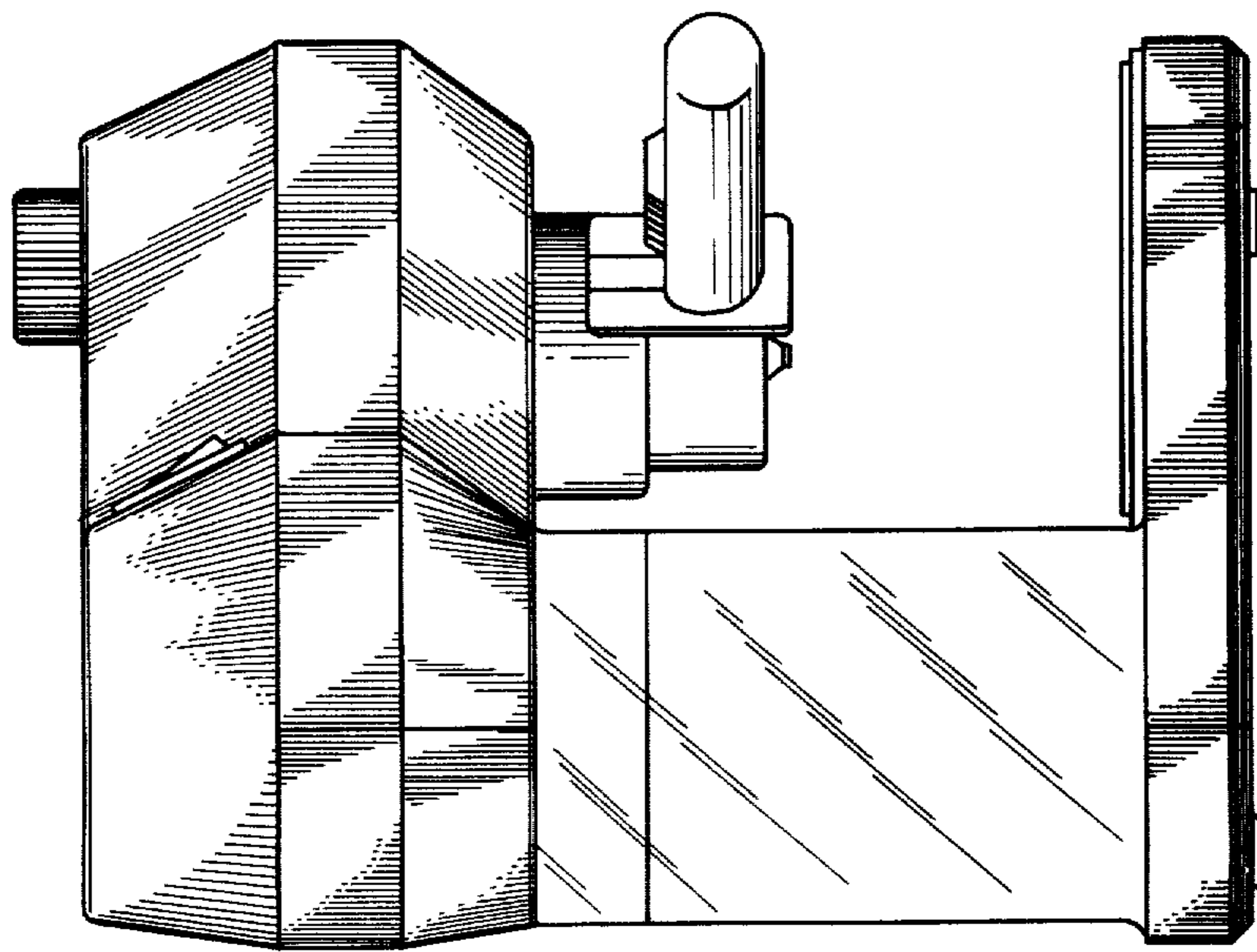


FIG. 4

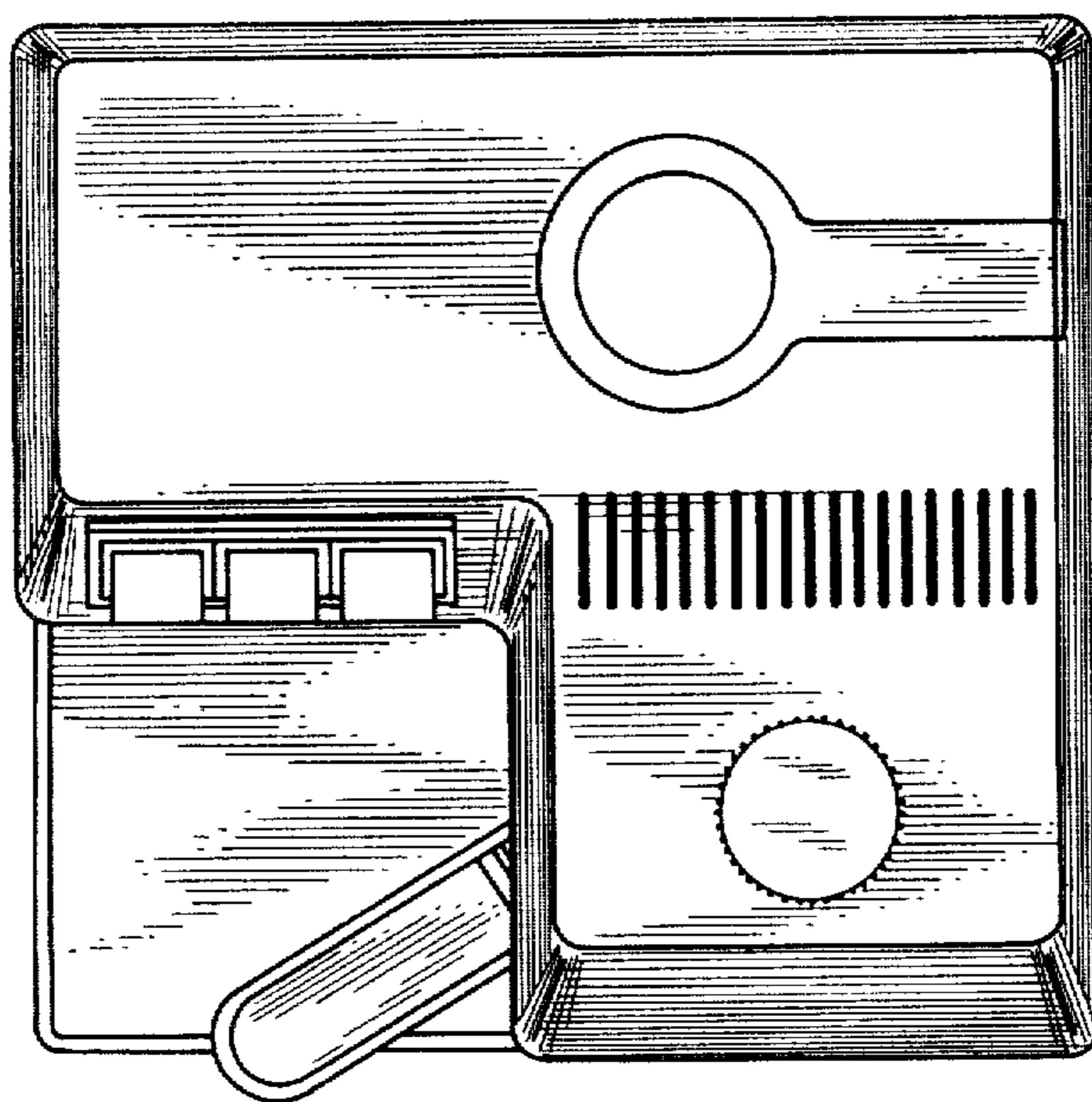


FIG. 6

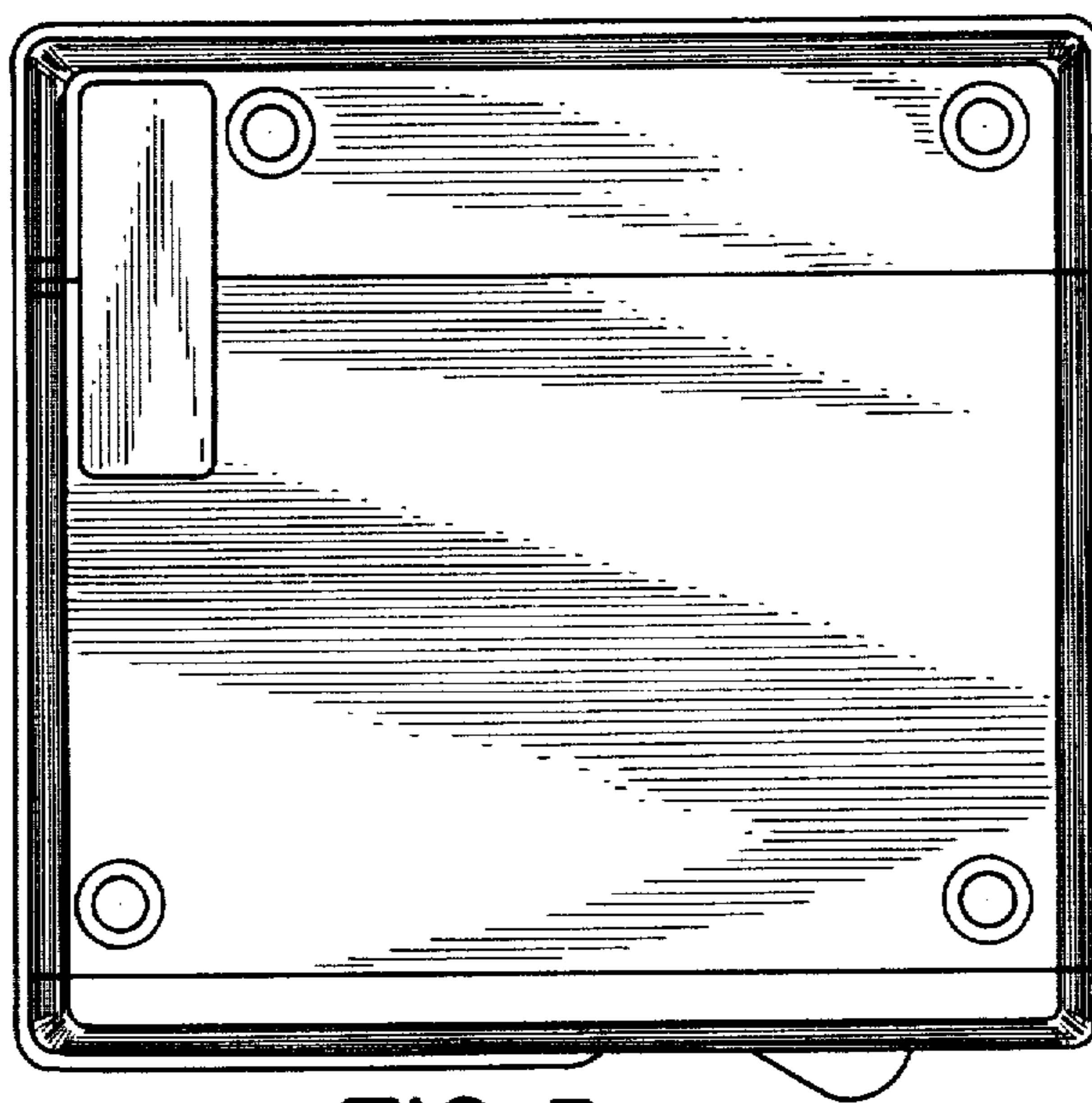


FIG. 7