

[54] ROW CROP CULTIVATOR FRAME

[75] Inventors: Bernard F. Whalen; Patrick T. Whalen; Marvin C. Kerber, all of Colchester, Ill.

[73] Assignee: Yetter Manufacturing Company, Colchester, Ill.

[\*\*] Term: 14 Years

[21] Appl. No.: 212,696

[22] Filed: Dec. 3, 1980

[51] Int. Cl. .... D15-03

[52] U.S. Cl. .... D15/27; D15/11

[58] Field of Search ..... D15/11, 27; 172/624.5, 172/198, 645, 646, 734, 736

[56] References Cited

PUBLICATIONS

- Burch Cultivators Brochure, Danish Tooth Cultivators Models, at p. 5.
- Noble Division, Royal Industries, Culti-Tiller Brochure, Row Crop Cultivators, pp. 2, 3.
- Taylor Implement Mfg. Co., Taylor-Way Row Crop Cultivator, cover, Model 600309.
- G. I. Case, A Tenneco Company, Rear-Mounted Cultivators Brochure, pp. 2, 3.

- Glencoe Row Crop Cultivators Brochure, at p. 3.
- Noble Division, Royal Industries, Inc., Row-Crop Cultivator Brochure, 4100 Series, p. 7.
- Dunham Lehr, Inc., 38 Series, Row Crop Cultivator Brochure, pp. 2, 3.
- Beillion, Springtine Ro-Crop Cultivator Brochure, at pp. 2, 3.
- Roehn, Vibra Spring Row Crop Cultivator Brochure, at front cover.

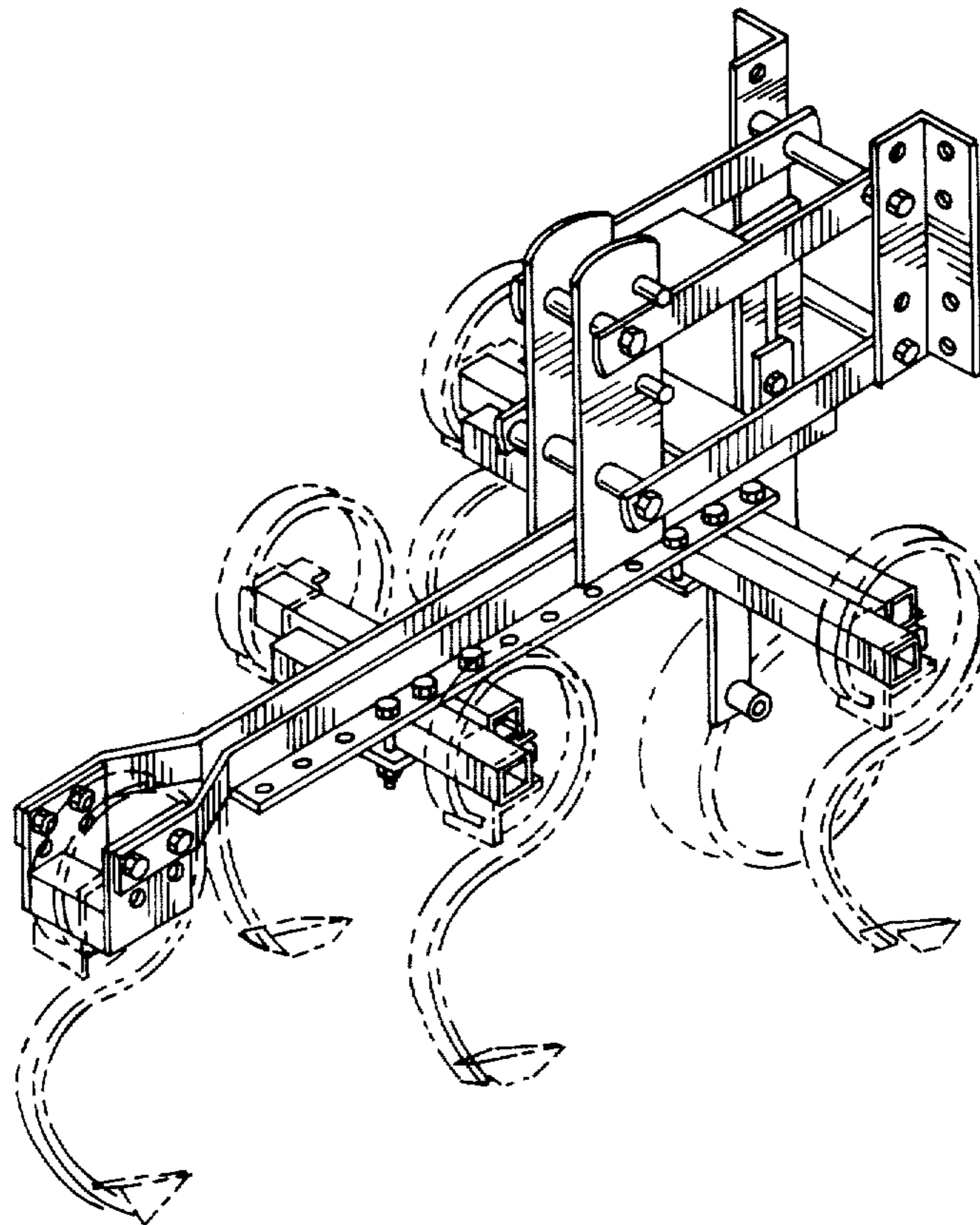
Primary Examiner—Wallace R. Burke  
Assistant Examiner—Horace B. Fay, Jr.  
Attorney, Agent, or Firm—McWilliams, Mann, Zummer & Sweeney

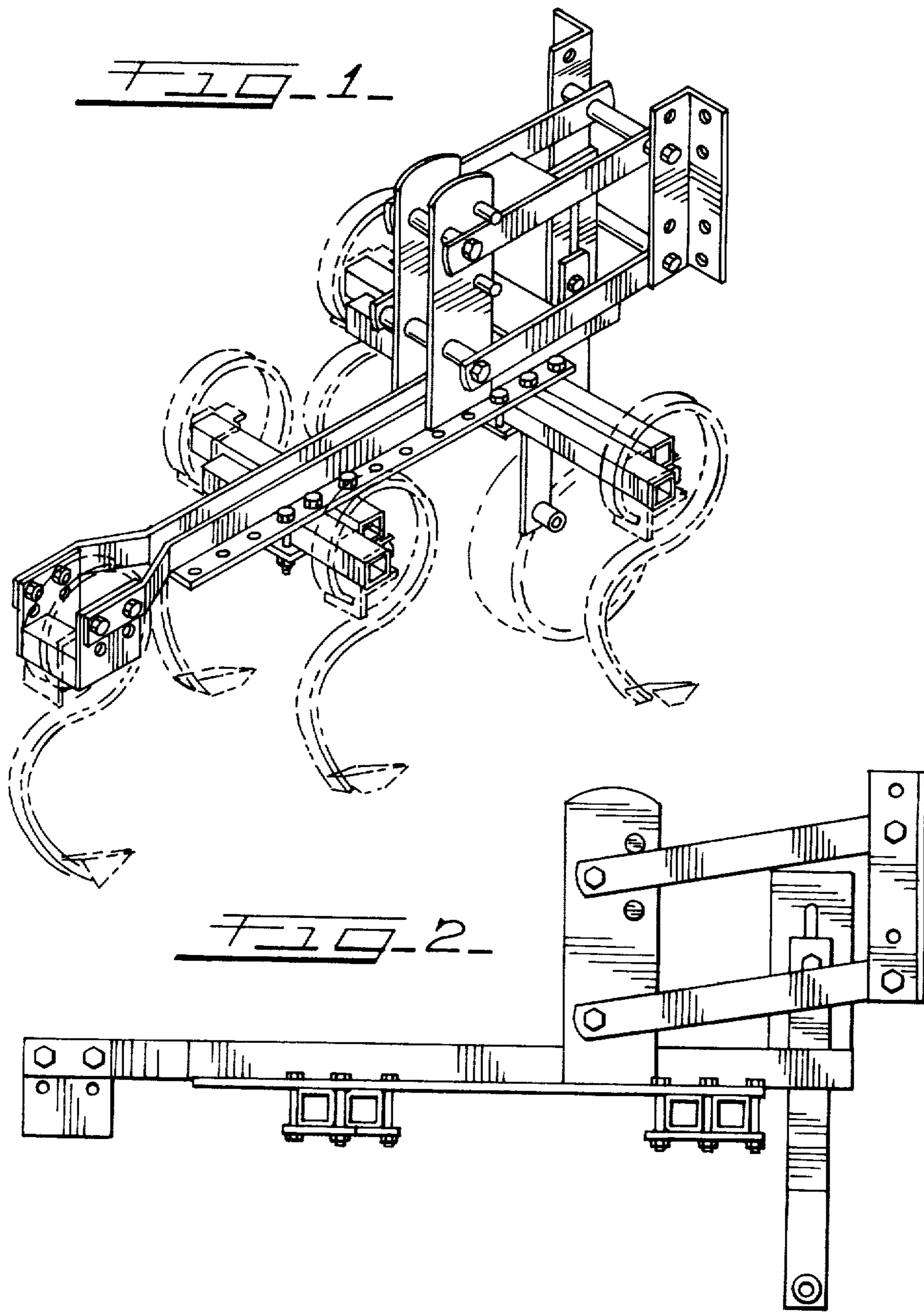
[57] CLAIM

The ornamental design for a row crop cultivator frame, substantially as shown and described.

DESCRIPTION

- FIG. 1 is a perspective view of the row crop cultivator frame and the elements in broken lines show the environment in which the frame is operative;
- FIG. 2 is a side view thereof;
- FIG. 3 is a top view thereof;
- FIG. 4 is a front view thereof;
- FIG. 5 is a back view thereof; and
- FIG. 6 is a bottom view thereof.





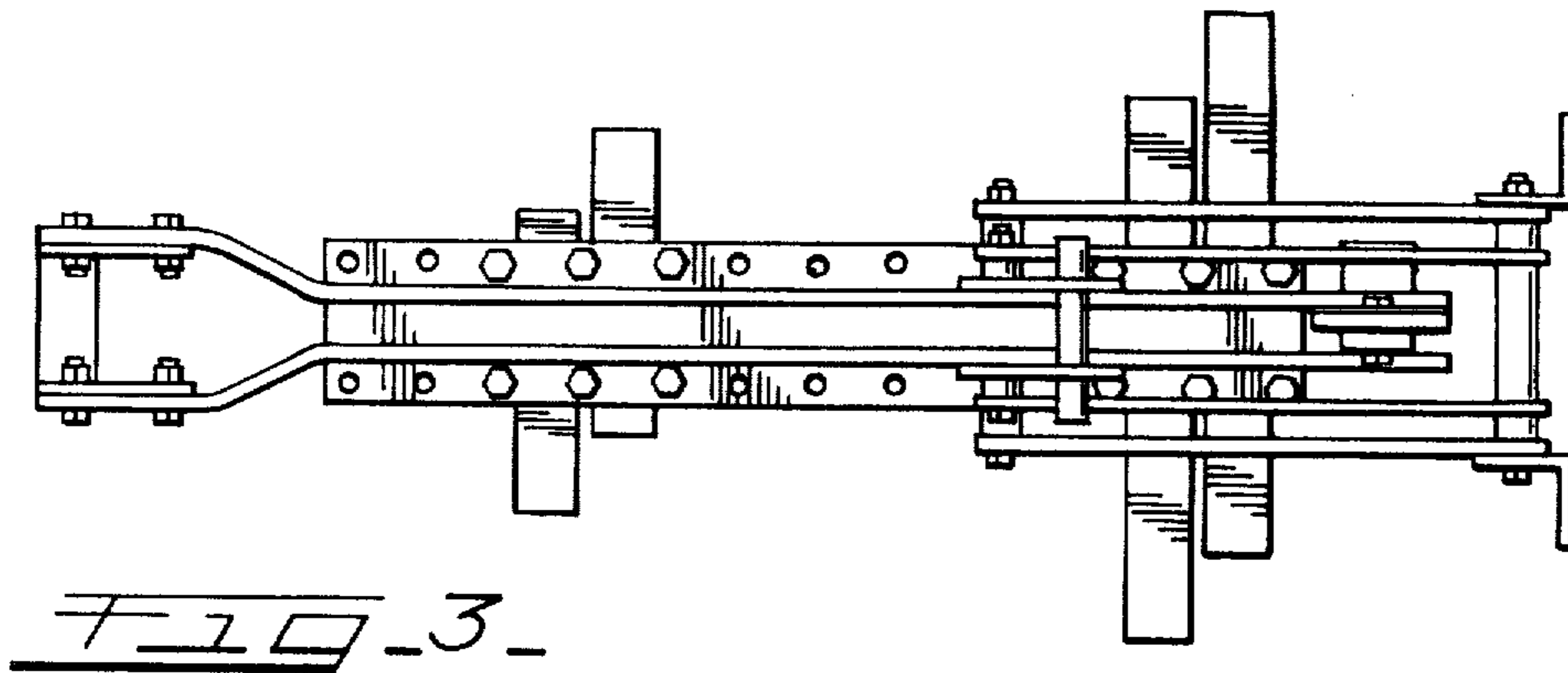


FIG. 4.

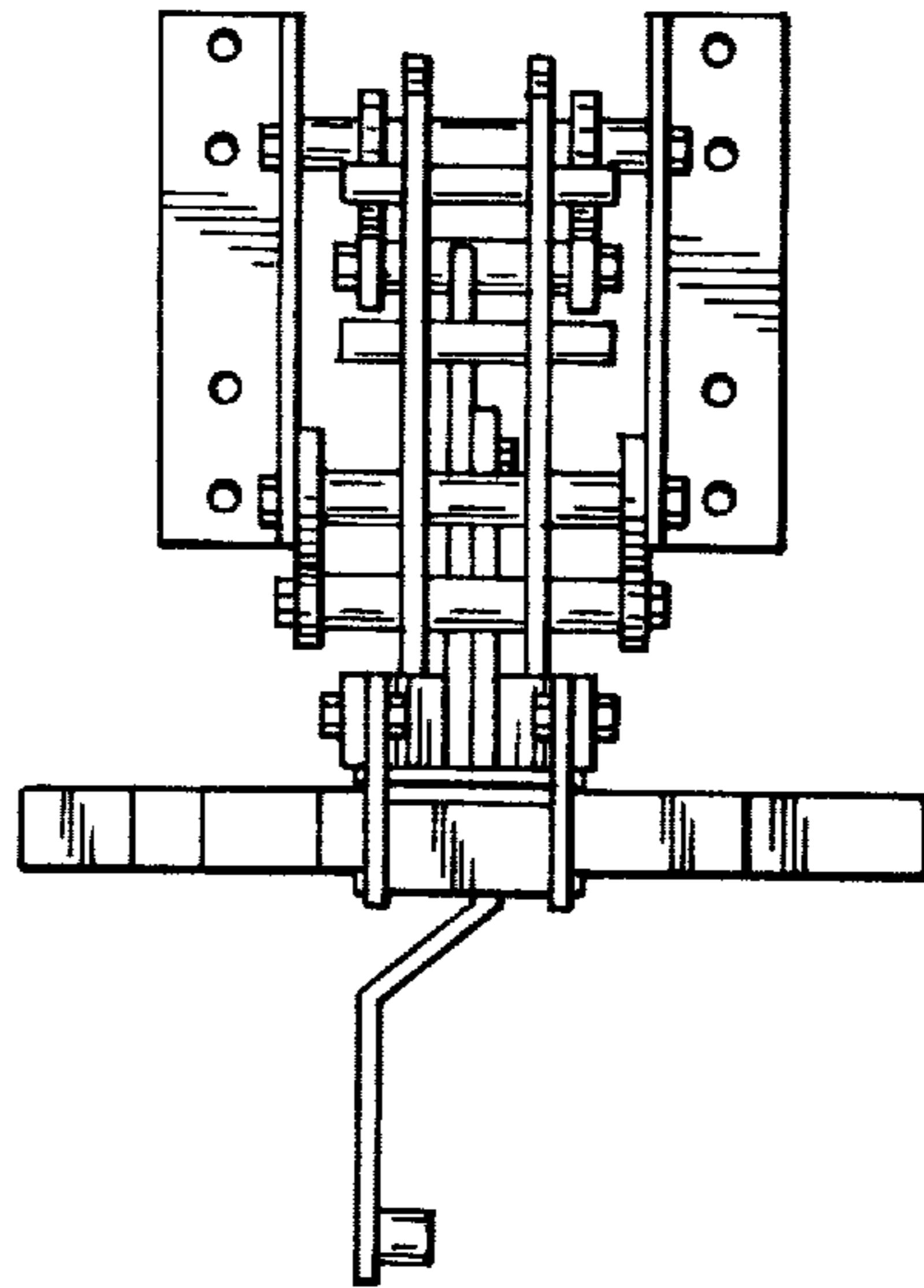


FIG. 5

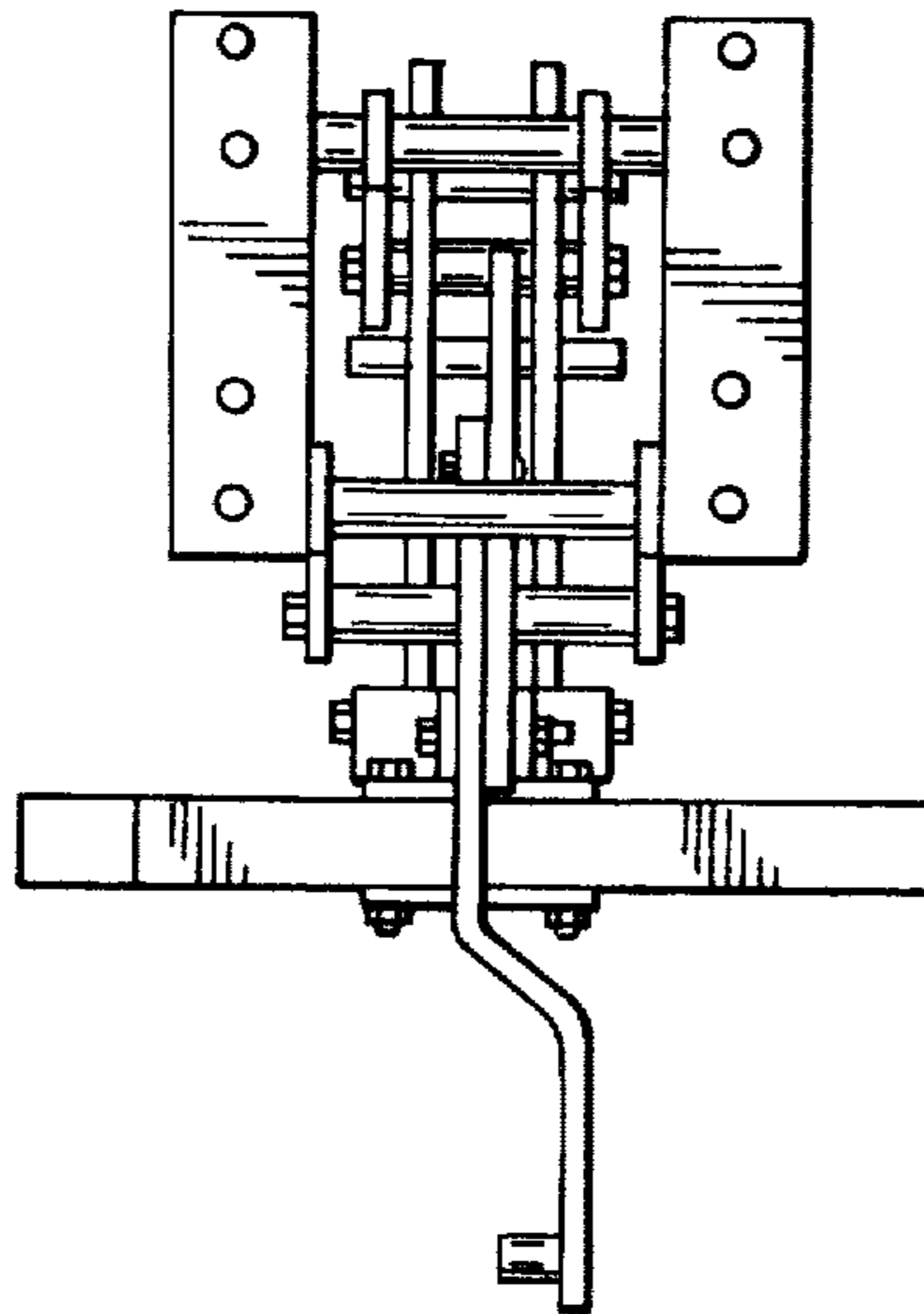


FIG. 6

