

[54] **WHEELCHAIR**

[75] **Inventor:** Jeffrey P. Minnebraker, Westlake Village, Calif.
[73] **Assignee:** Quadra Wheelchairs, Inc., Westlake Village, Calif.
[**] **Term:** 14 Years
[21] **Appl. No.:** 185,306
[22] **Filed:** Sep. 8, 1980

[51] **Int. Cl.** D12-12
[52] **U.S. Cl.** D12/131
[58] **Field of Search** D12/131; 280/242 WC; 297/DIG. 4

[56] **References Cited**

U.S. PATENT DOCUMENTS

D. 254,970 5/1980 Honzyou D12/131
4,082,348 4/1978 Haury 297/DIG. 4

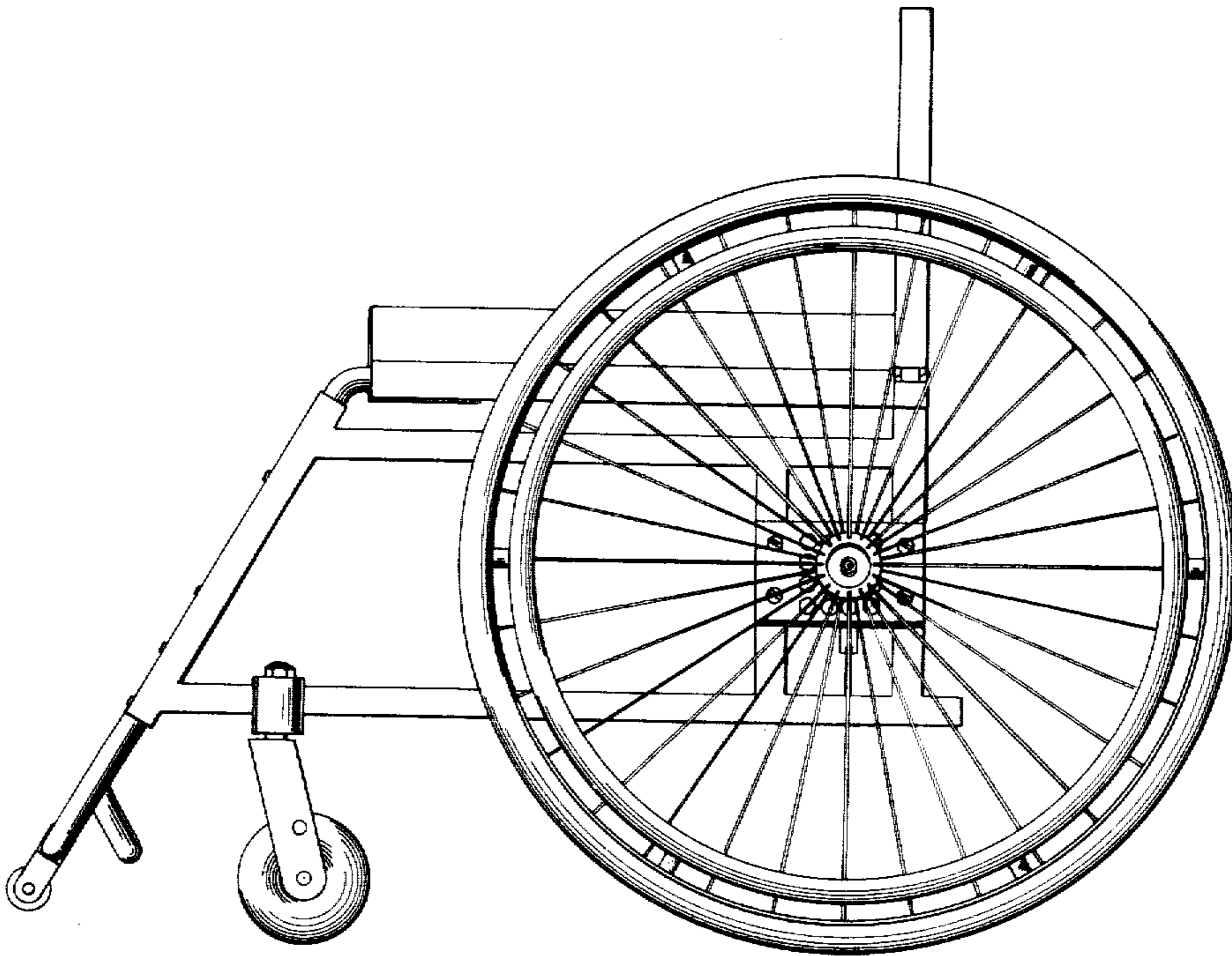
Primary Examiner—James M. Gandy
Attorney, Agent, or Firm—Robert J. Schaap

[57] **CLAIM**

The ornamental design for a wheelchair, as shown.

DESCRIPTION

FIG. 1 is a front elevational view of the wheelchair;
FIG. 2 is a side elevational view thereof;
FIG. 3 is a top plan view thereof;
FIG. 4 is a rear elevational view thereof; and
FIG. 5 is a bottom plan view thereof.



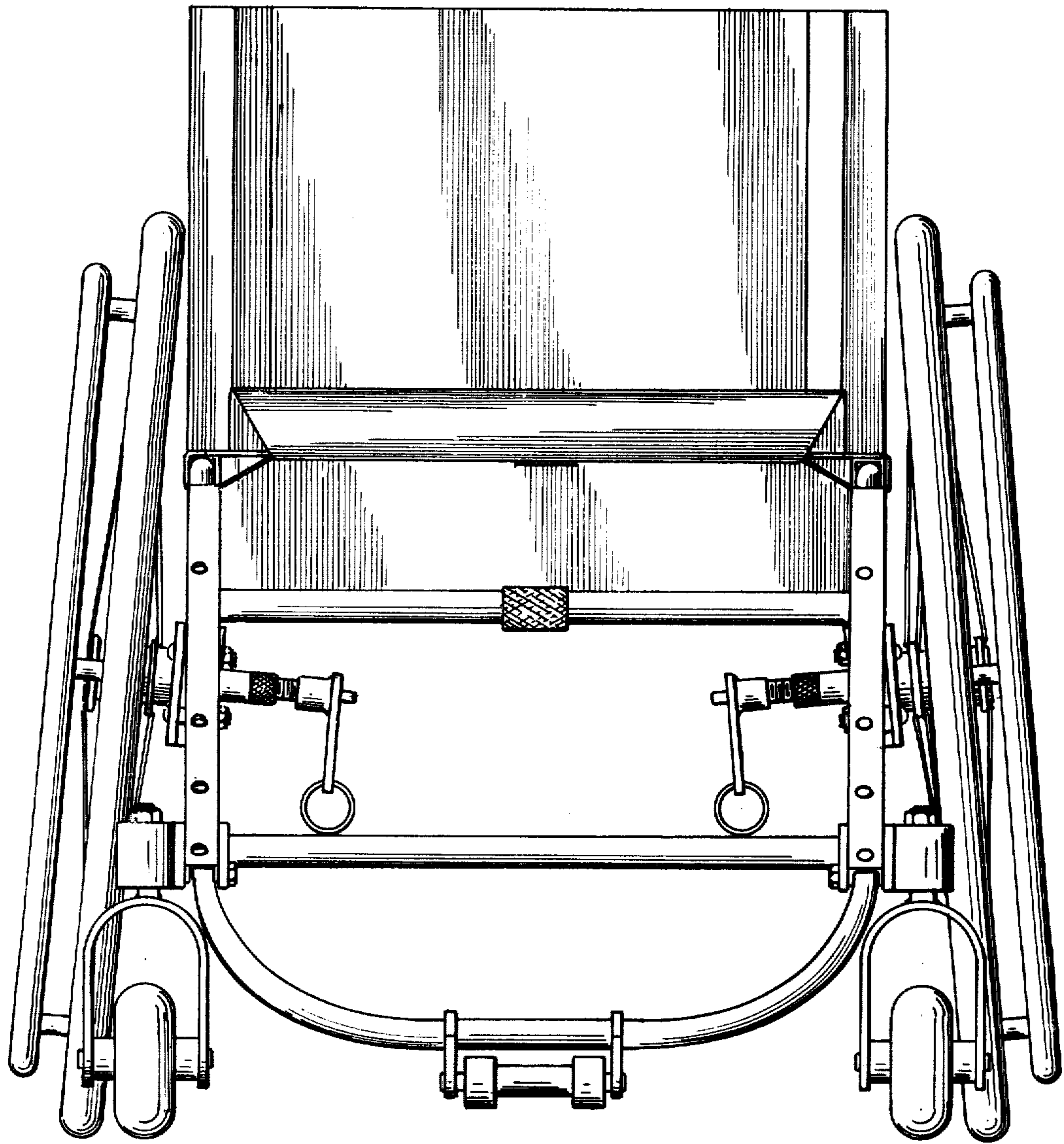


FIG. 1

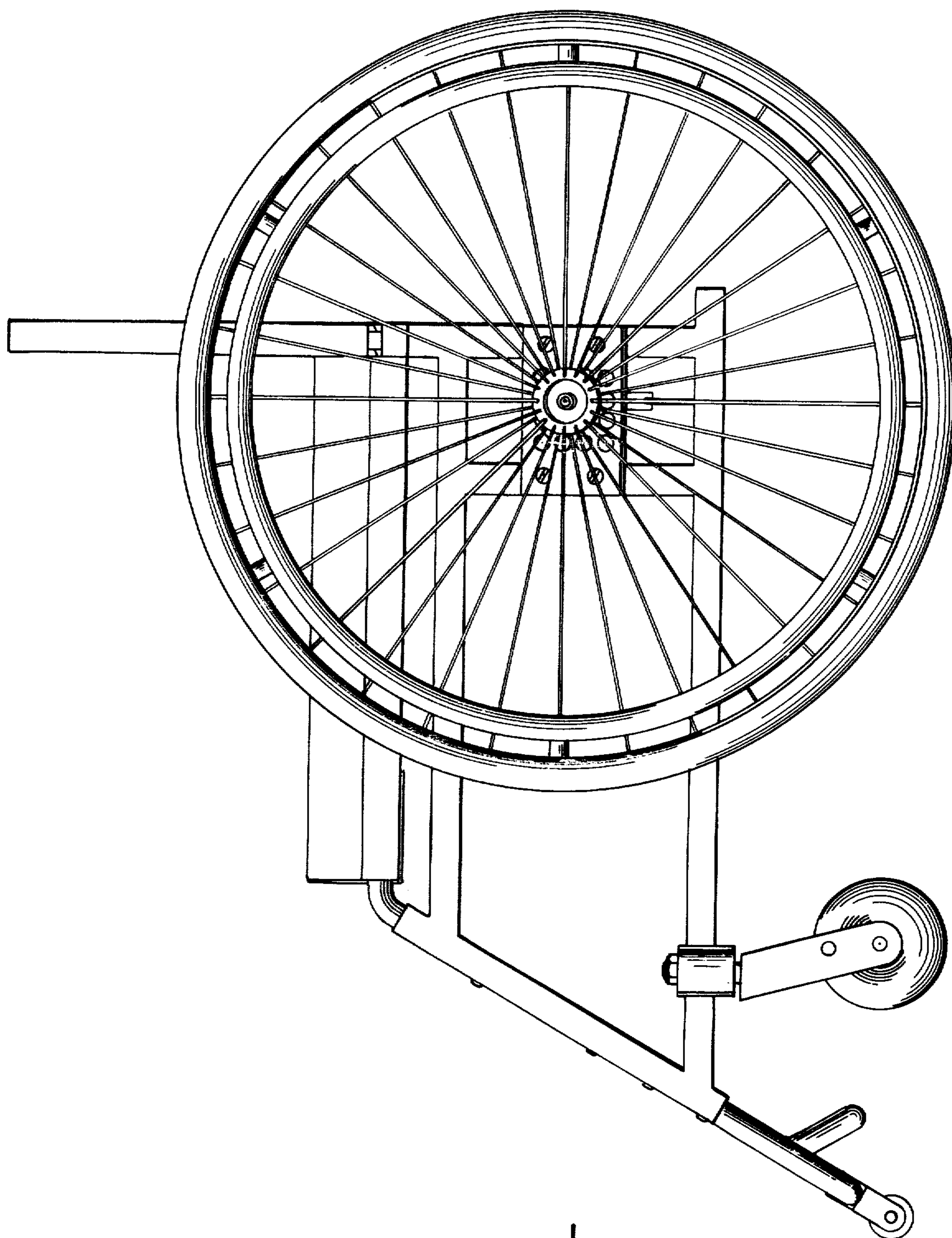


FIG. 2

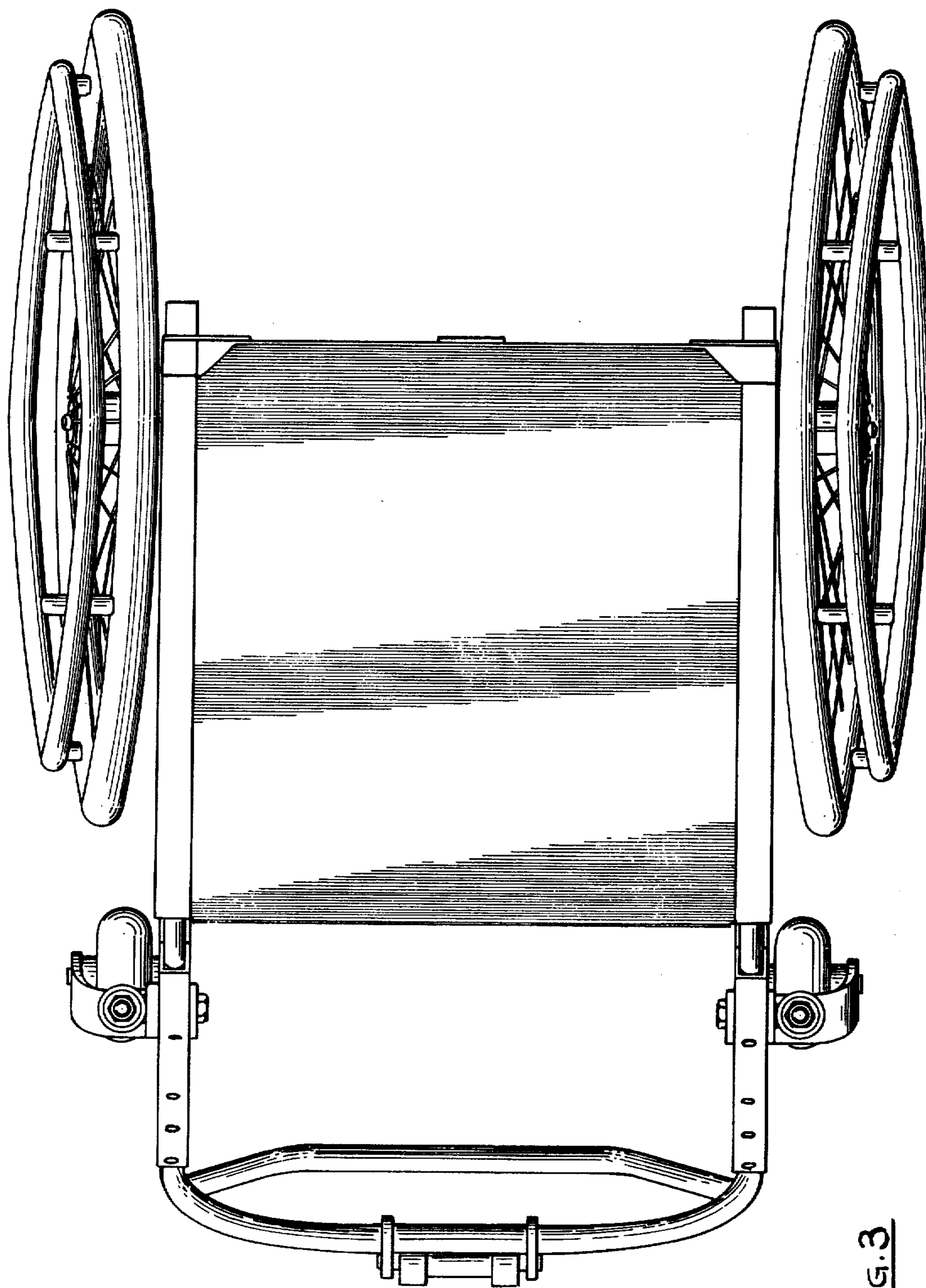


FIG. 3

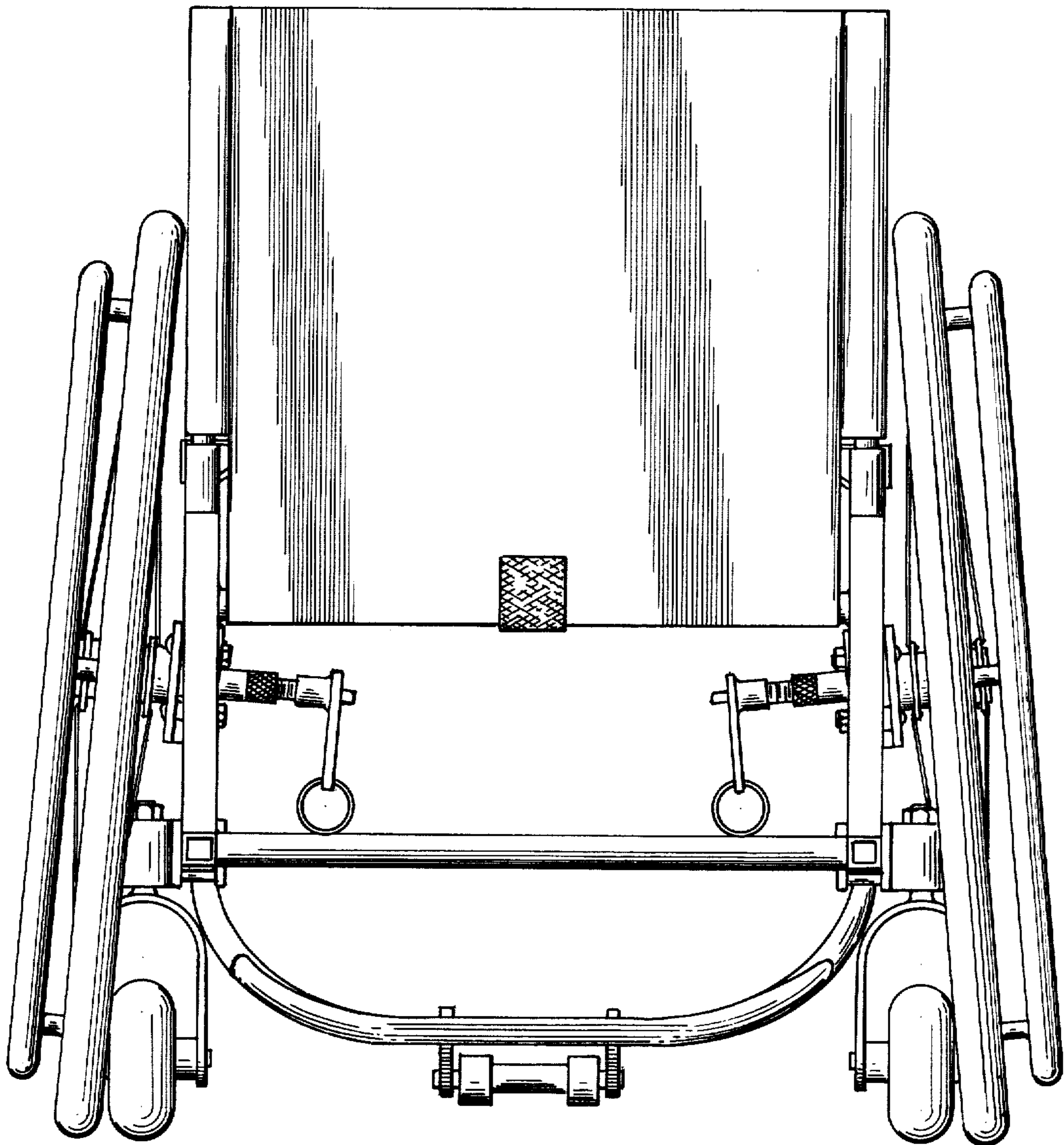


FIG. 4

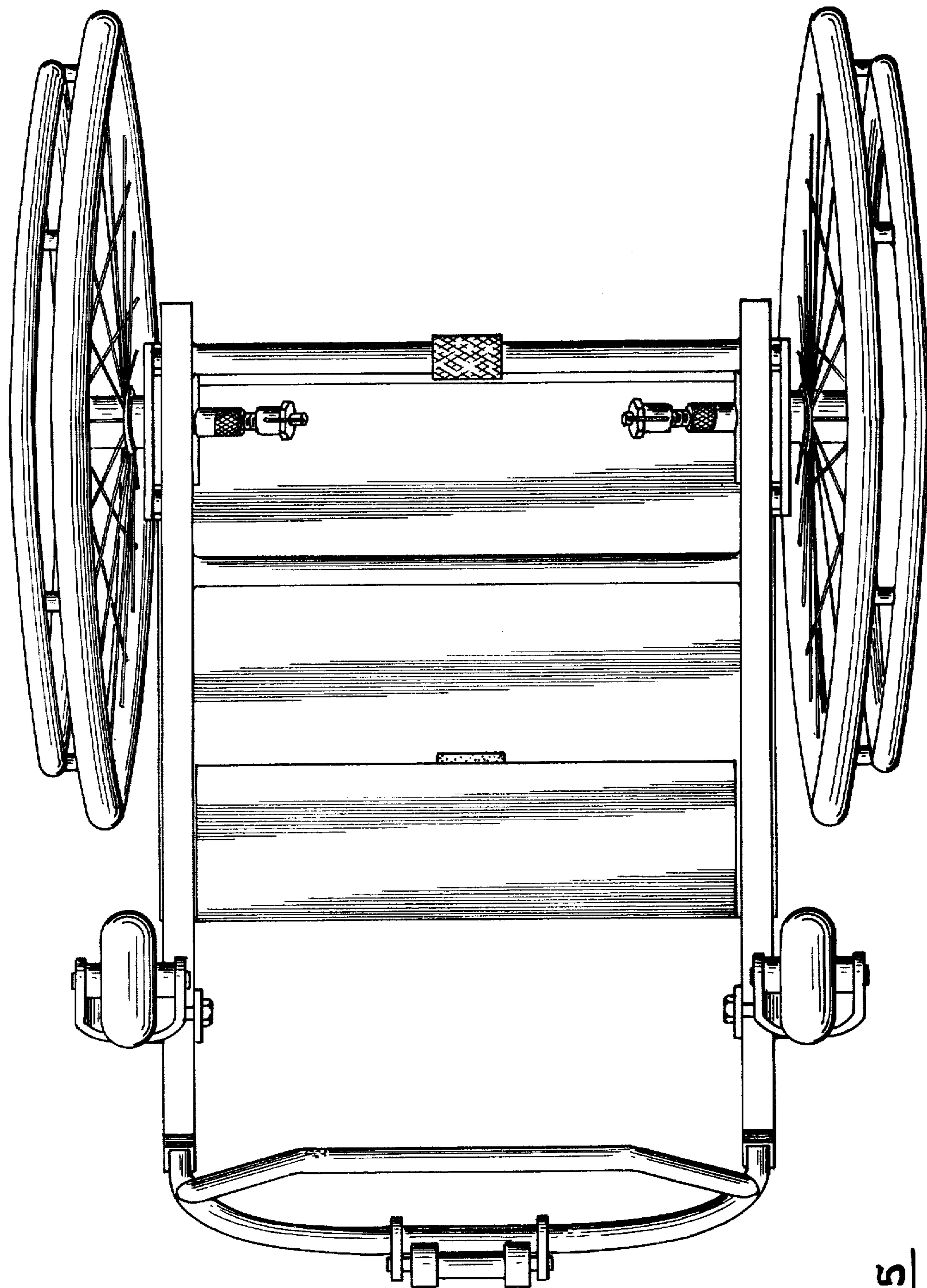


FIG. 5