

[54] SMOKE DETECTOR

[75] Inventor: Kenneth R. Fenne, Glen Ellyn, Ill.

[73] Assignee: Pittway Corporation, Aurora, Ill.

[**] Term: 14 Years

[21] Appl. No.: 247,602

[22] Filed: Mar. 25, 1981

[51] Int. Cl. D10-06

[52] U.S. Cl. D10/106

[58] Field of Search D10/104, 106, 121; 340/540, 541, 542, 545, 546, 547, 552-561, 565, 566, 568, 756-881, 586, 588, 628, 629, 630, 632

[56] References Cited

U.S. PATENT DOCUMENTS

D. 253,525 11/1979 Wilson D10/106

OTHER PUBLICATIONS

Graviner Fire Protection Systems Brochure, 1978, p. 2, Fixed Temperature Protector.

Primary Examiner—Susan J. Lucas
Attorney, Agent, or Firm—Dithmar, Stotland, Stratman & Levy

[57] CLAIM

The ornamental design for a smoke detector, as shown and described.

DESCRIPTION

FIG. 1 is a top plan view of a smoke detector showing my new design;
FIG. 2 is a side elevational view of the smoke detector;
FIG. 3 is a bottom view of the smoke detector;
FIG. 4 is a top plan view of a second embodiment of the smoke detector;
FIG. 5 is a side elevational view of the second embodiment of the smoke detector; and
FIG. 6 is a bottom view of the second embodiment of the smoke detector.

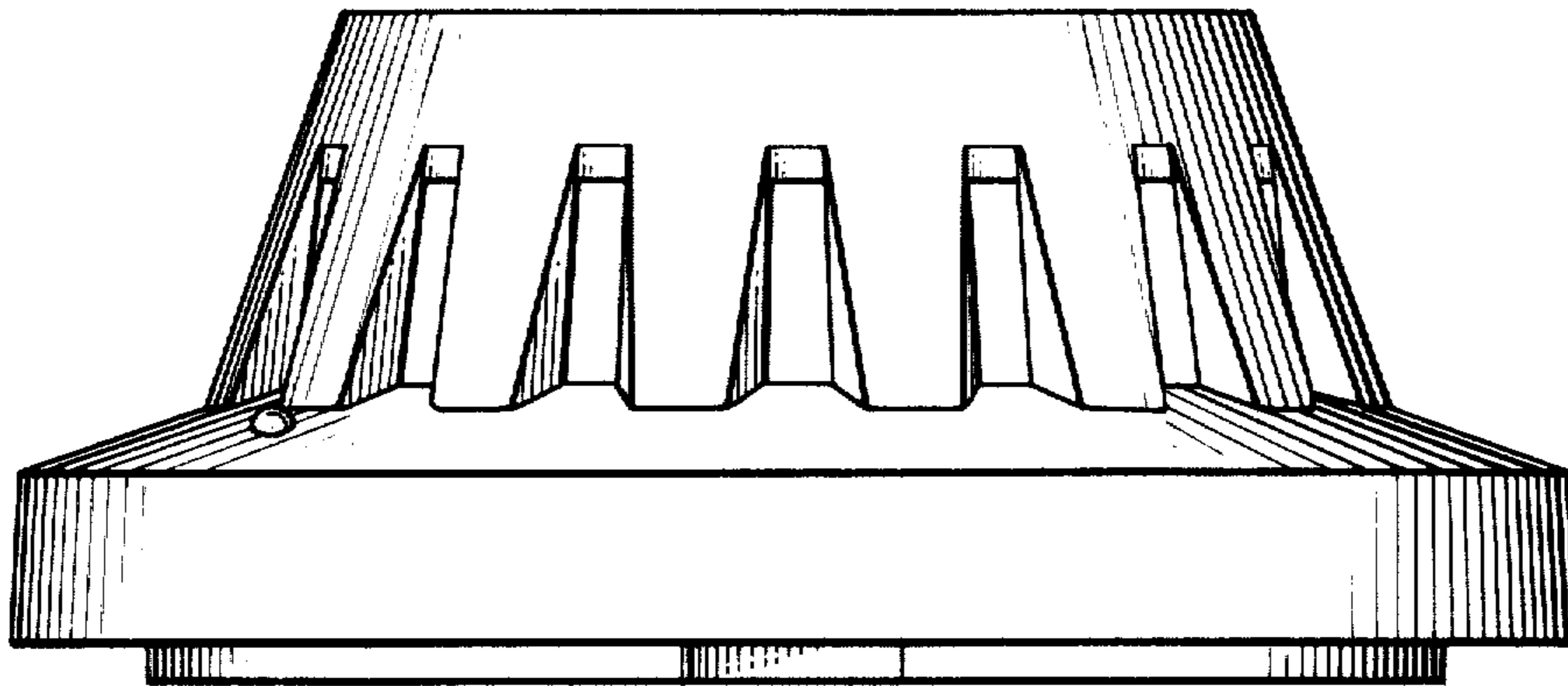


FIG. 1

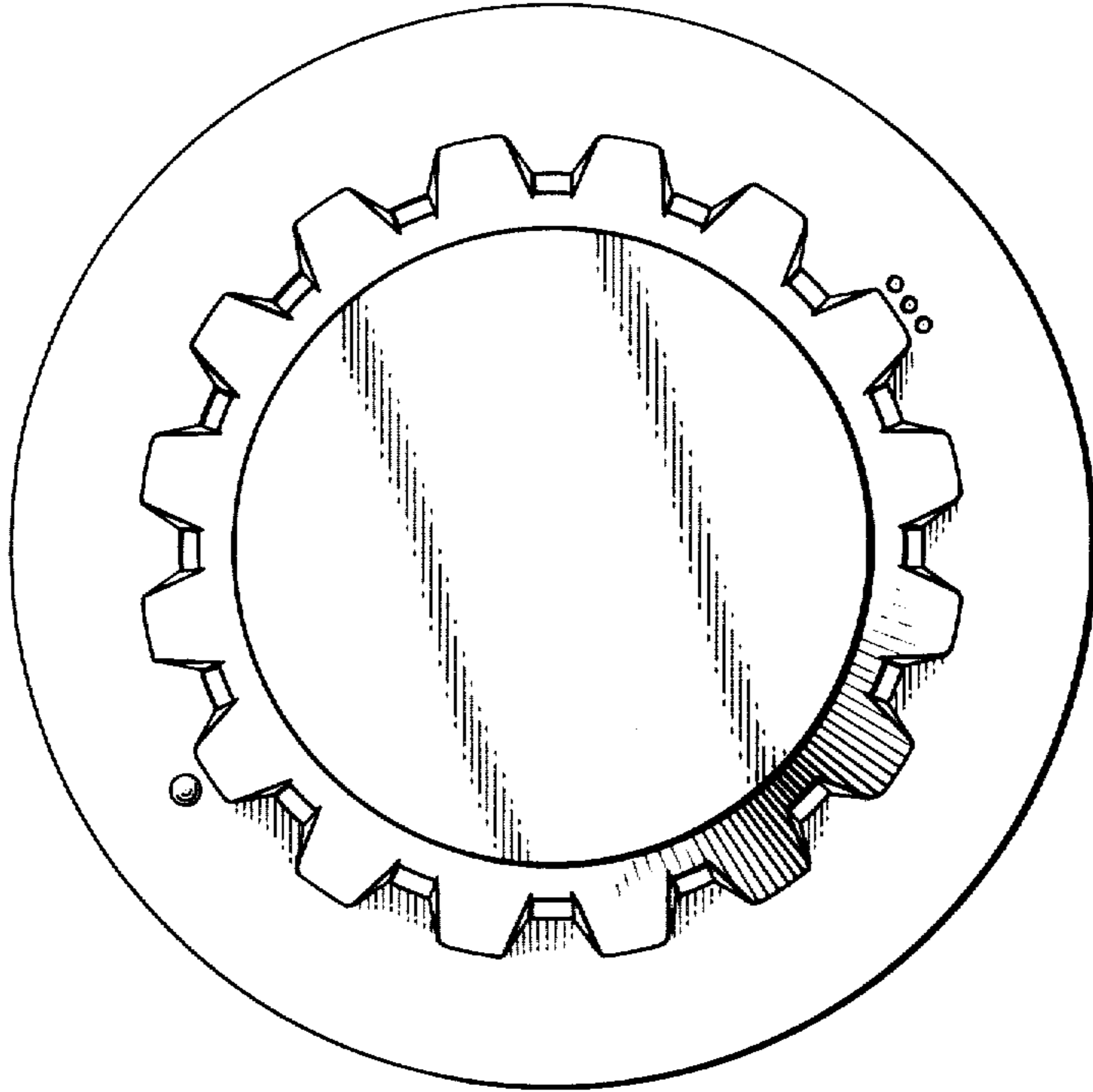


FIG. 2

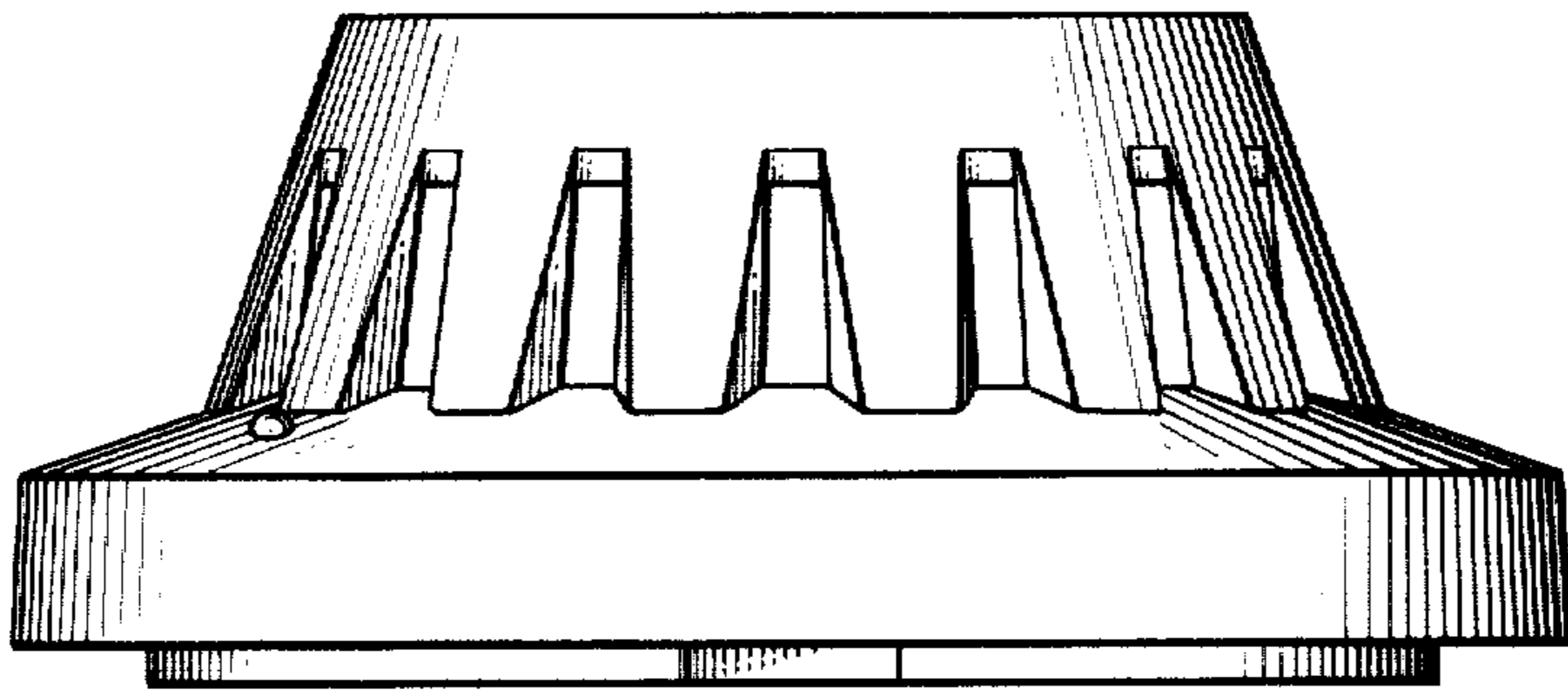


FIG. 3

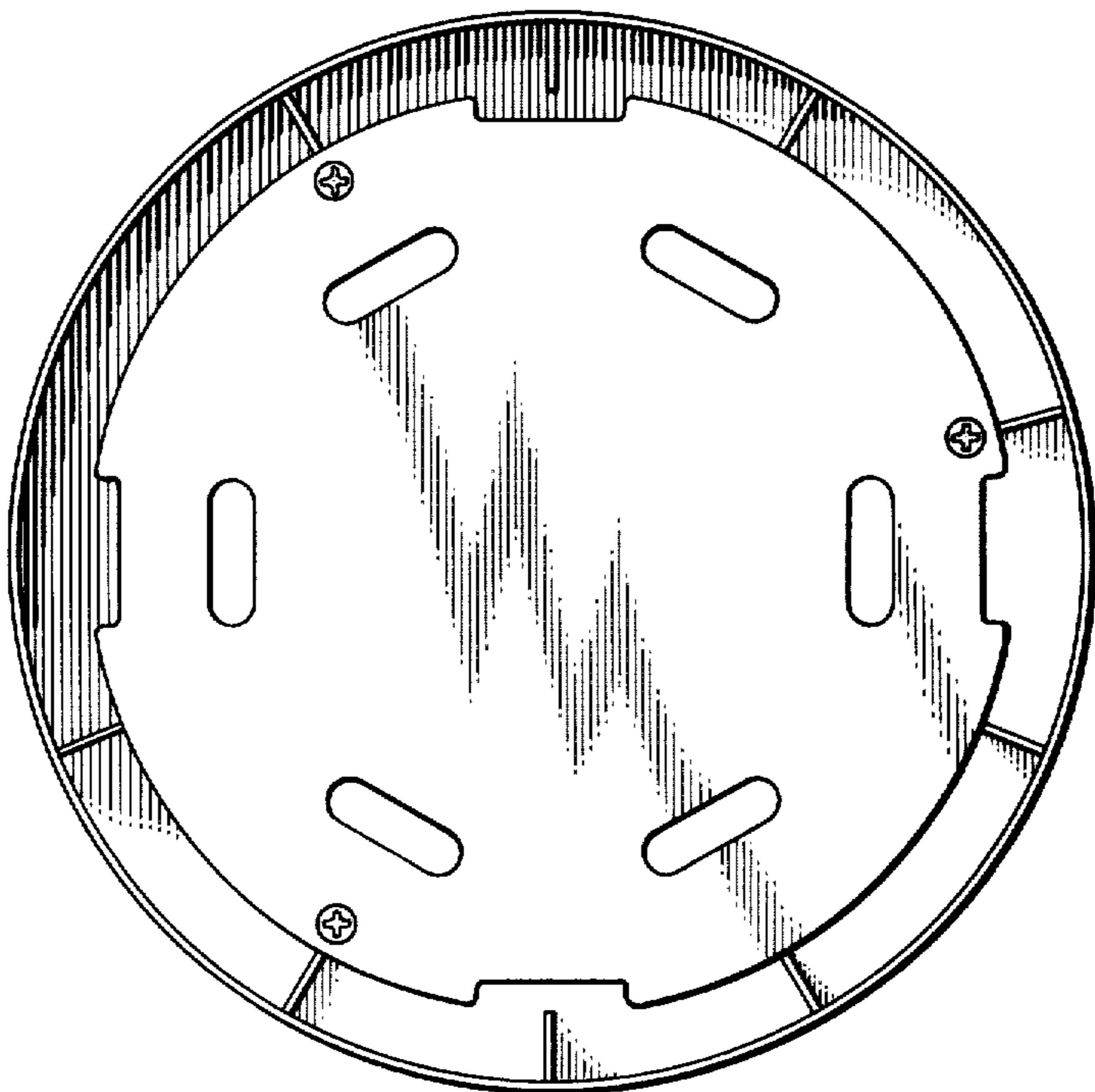


FIG. 4

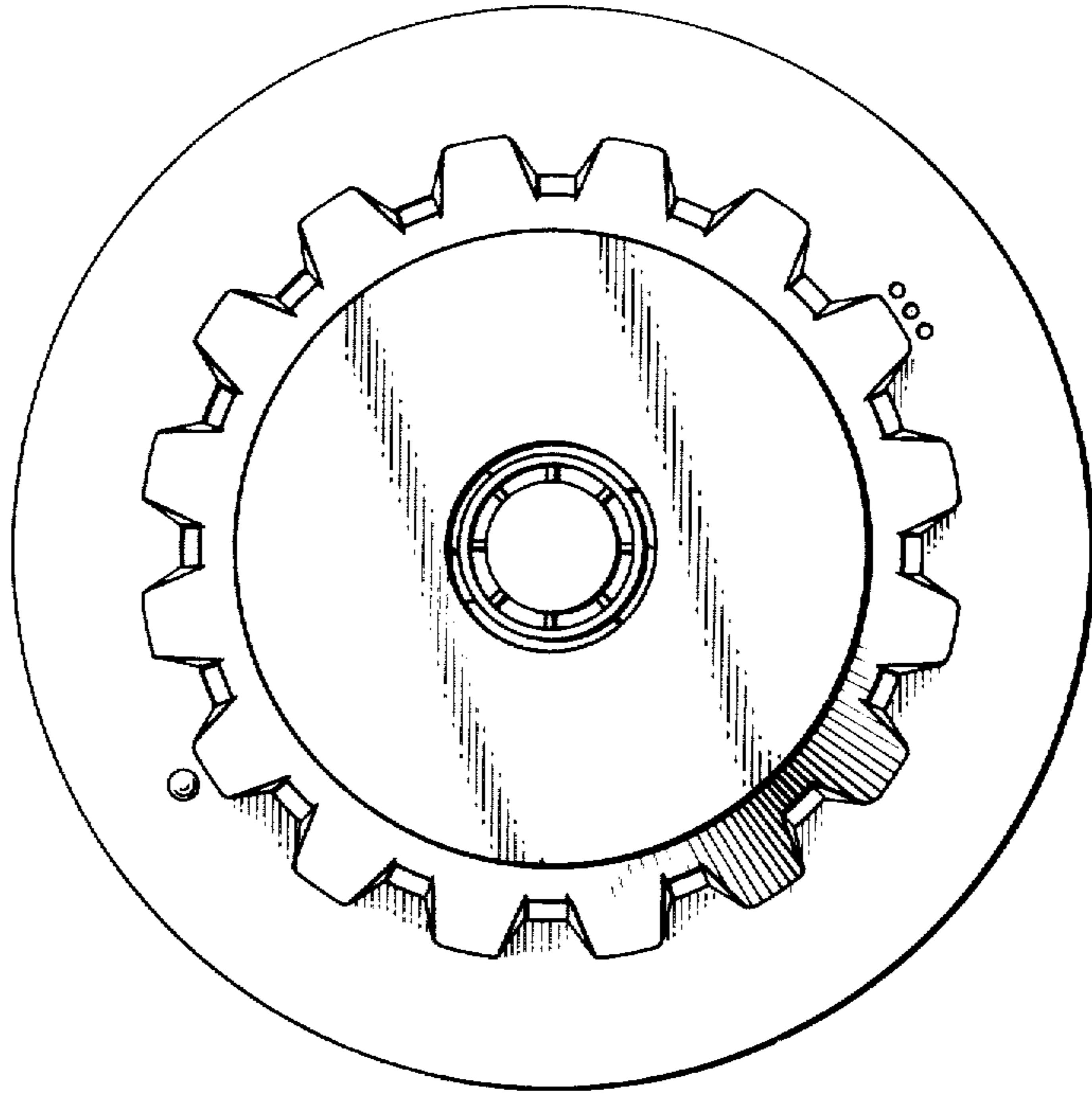


FIG. 5

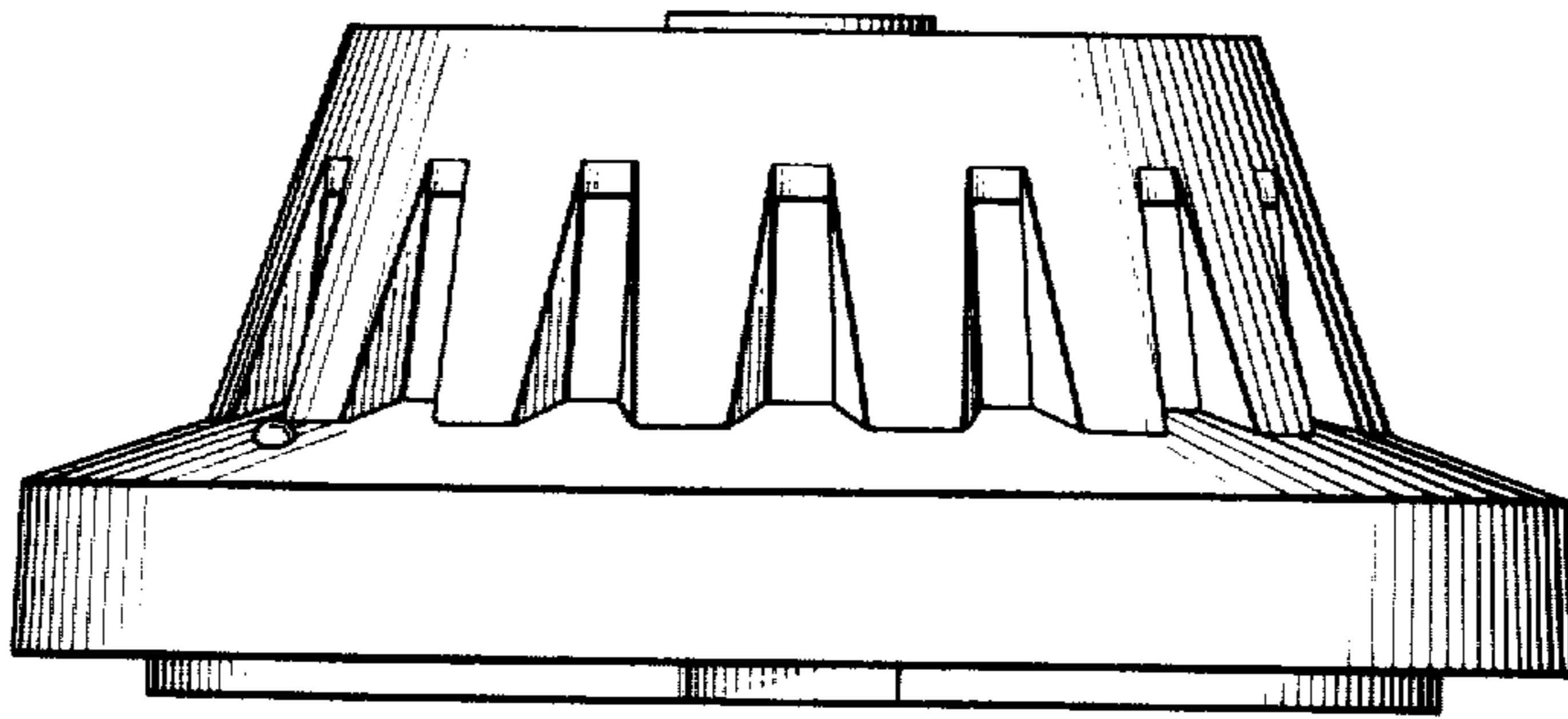


FIG. 6

