

- [54] CLAMP OR THE LIKE
- [75] Inventor: Walter T. Rose, Bothell, Wash.
- [73] Assignee: The Boeing Company, Seattle, Wash.
- [**] Term: 14 Years
- [21] Appl. No.: 189,271
- [22] Filed: Sep. 22, 1980
- [51] Int. Cl. D8—08
- [52] U.S. Cl. D8/356; D8/395;
D8/396
- [58] Field of Search D8/356, 394-396;
24/256, 257, 277, 339; 248/49, 58, 65, 67.7, 68
R, 68 CB, 71, 74.1, 74.3, 74.5

- [56] **References Cited**
- U.S. PATENT DOCUMENTS**
- D. 212,505 10/1968 Guerrero D8/396
- 271,733 2/1883 Patee 248/65
- 332,383 12/1885 Cole et al. 248/49
- 506,008 10/1893 Matthews 24/257
- 1,329,816 2/1920 Winslow 24/256

1,891,099 12/1932 Land 24/339

FOREIGN PATENT DOCUMENTS

1578116 8/1969 France 248/68 R

Primary Examiner—B. J. Bullock
Attorney, Agent, or Firm—Daniel T. Anderson; Bernard A. Donahue

[57] **CLAIM**

The ornamental design for a clamp or the like, as shown and described.

DESCRIPTION

FIG. 1 is a perspective view of a clamp or the like embodying my new design;
 FIG. 2 is a side elevational view taken from the right of FIG. 1;
 FIG. 3 is a side elevational view taken from the left of FIG. 1;
 FIG. 4 is a front elevational view thereof;
 FIG. 5 is a rear elevational view thereof;
 FIG. 6 is a top plan view thereof;
 FIG. 7 is a bottom plan view thereof.

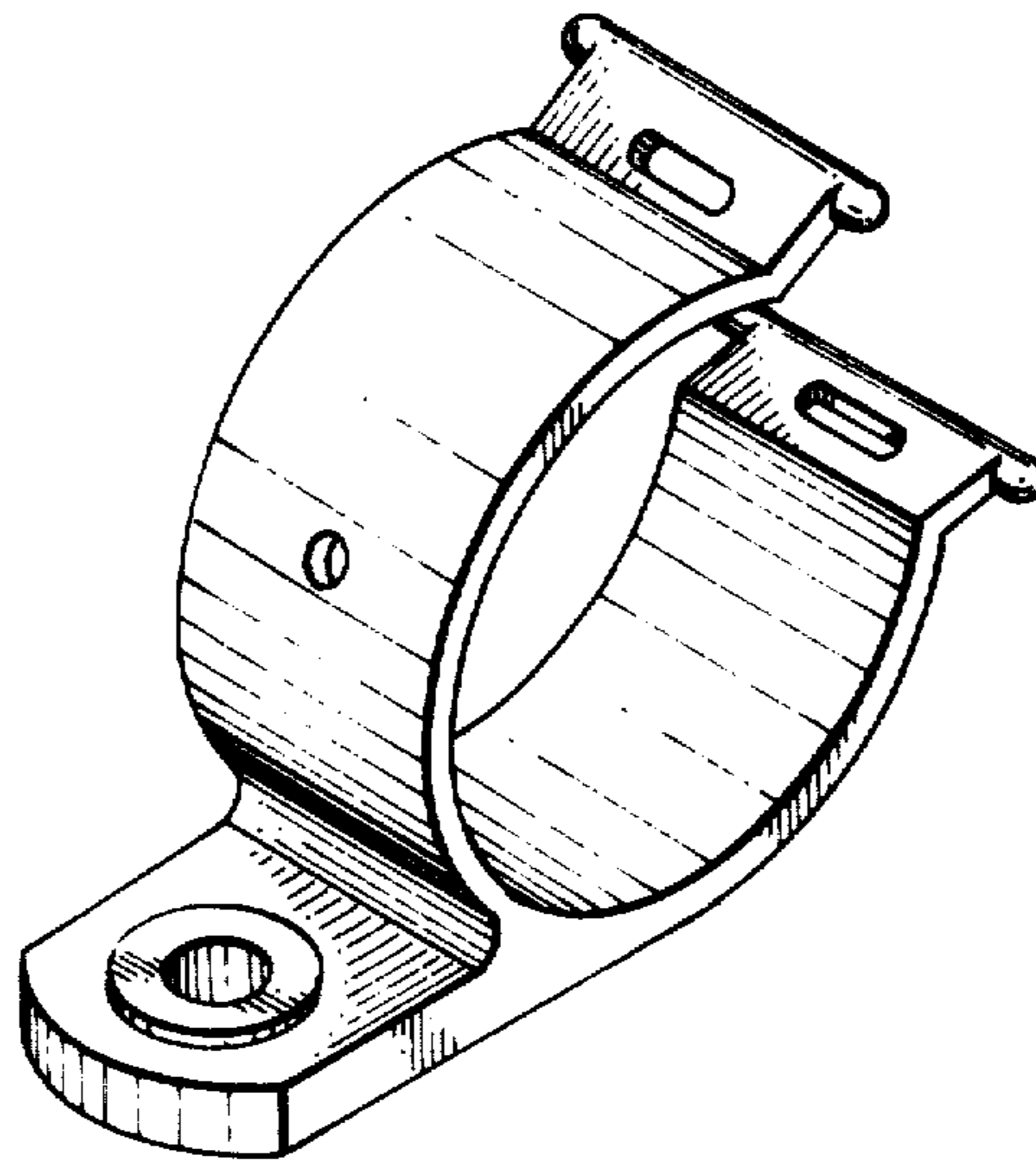


Fig. 1

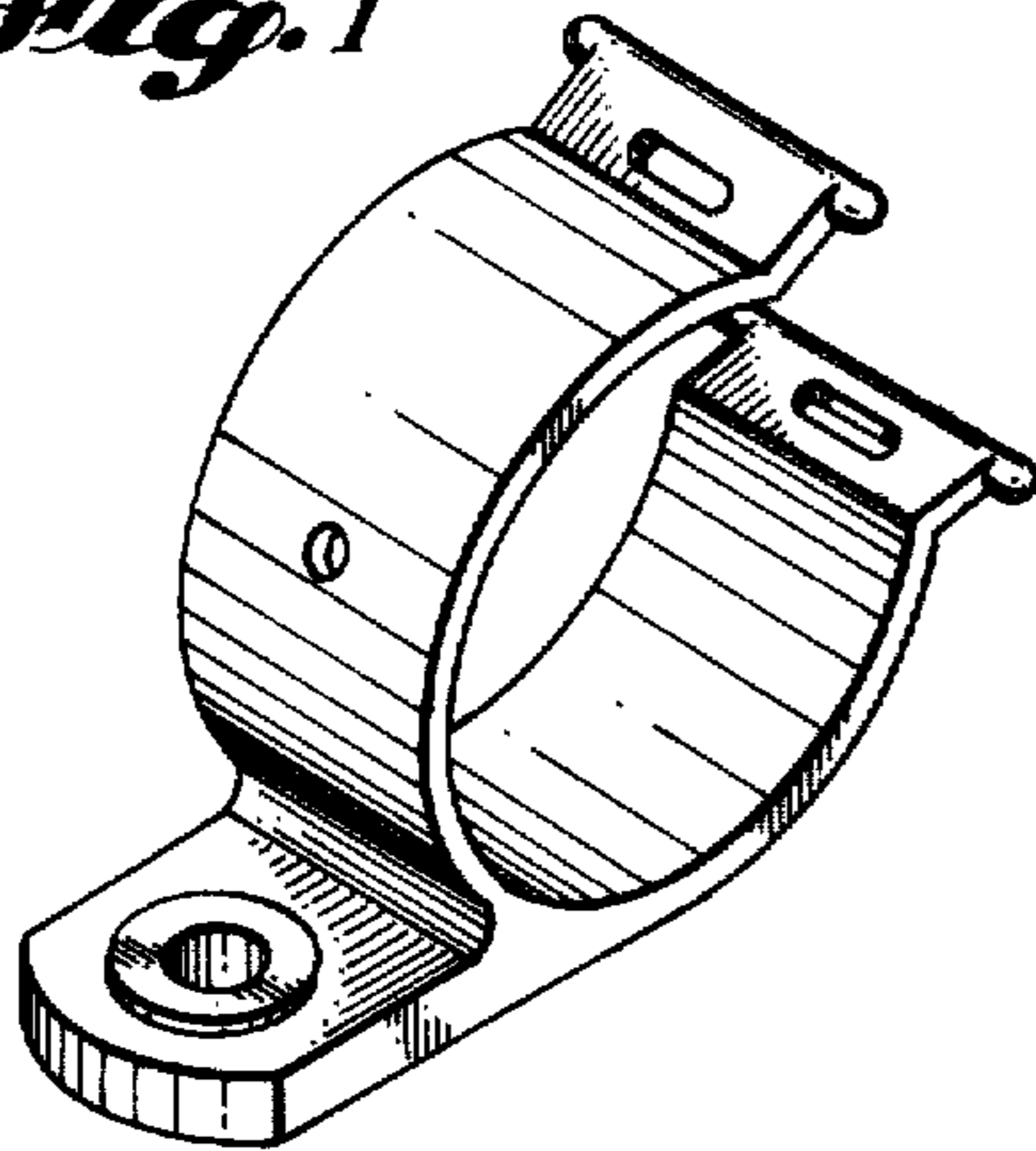


Fig. 2

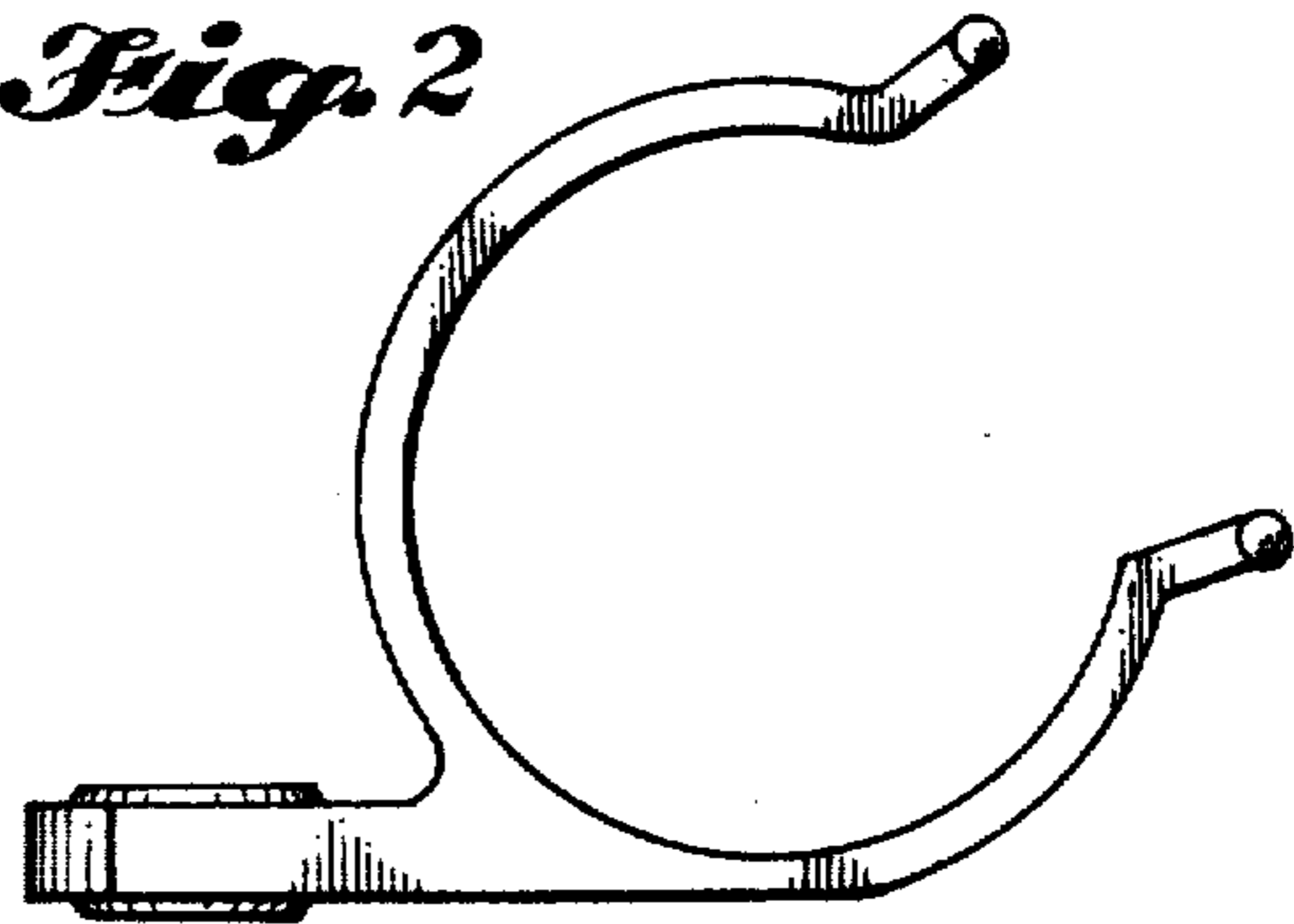


Fig. 3

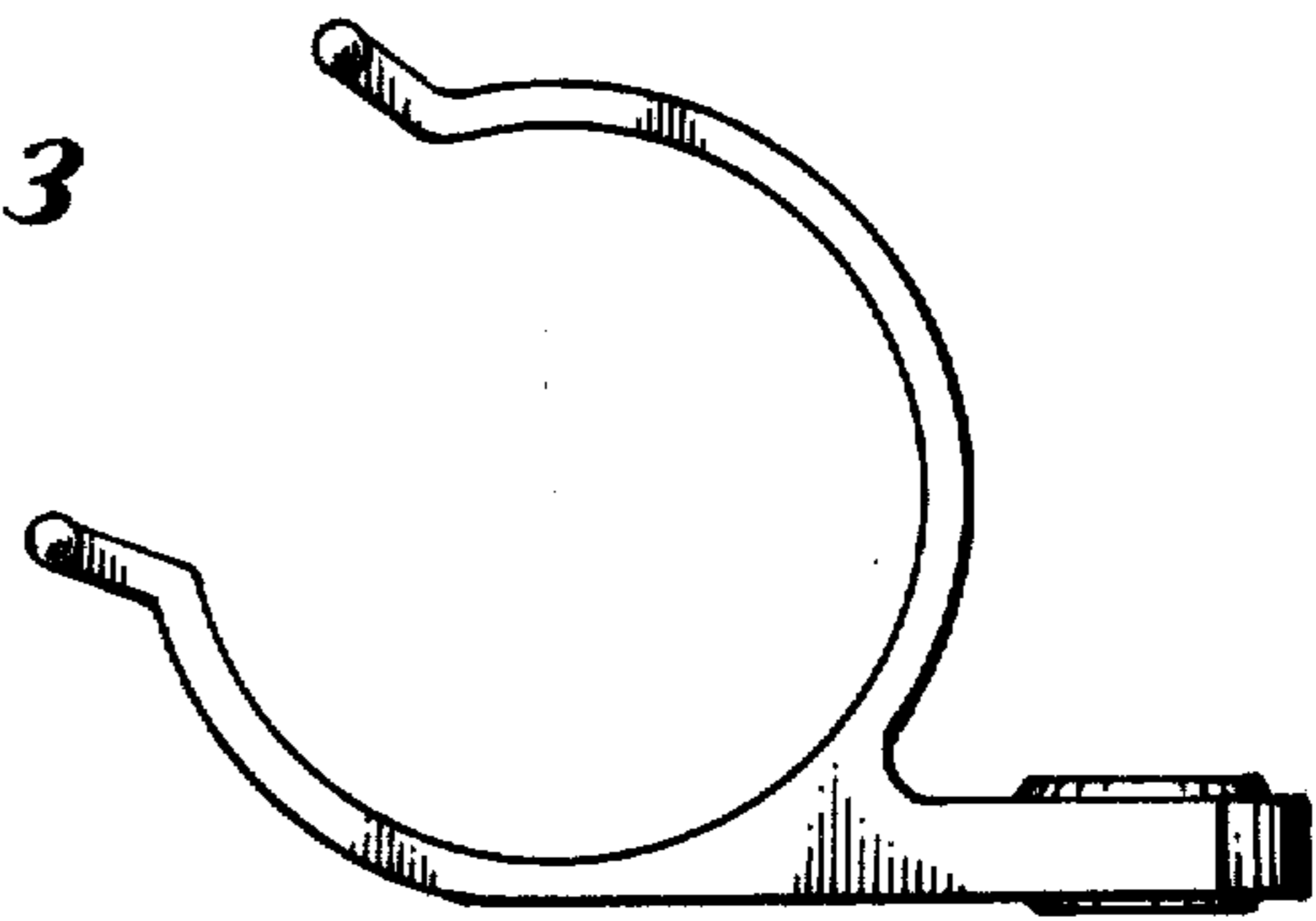


Fig. 4

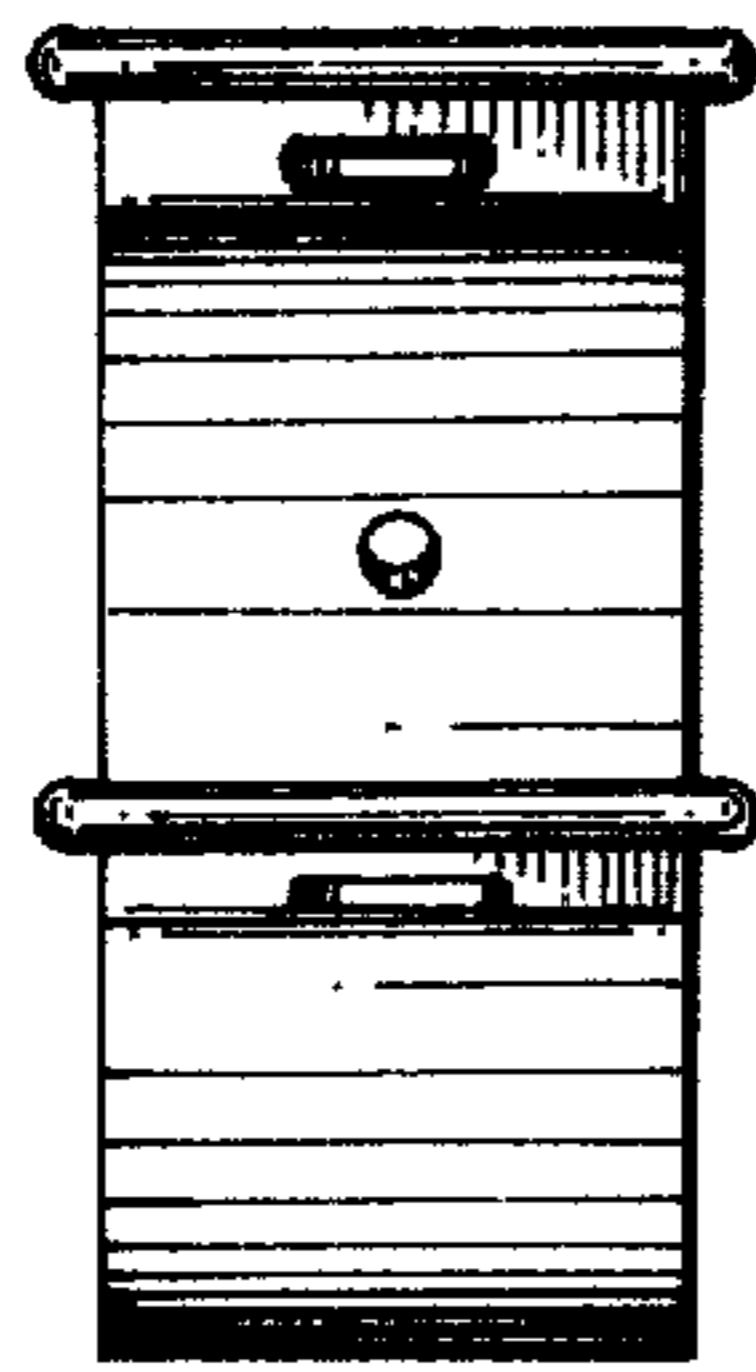


Fig. 6

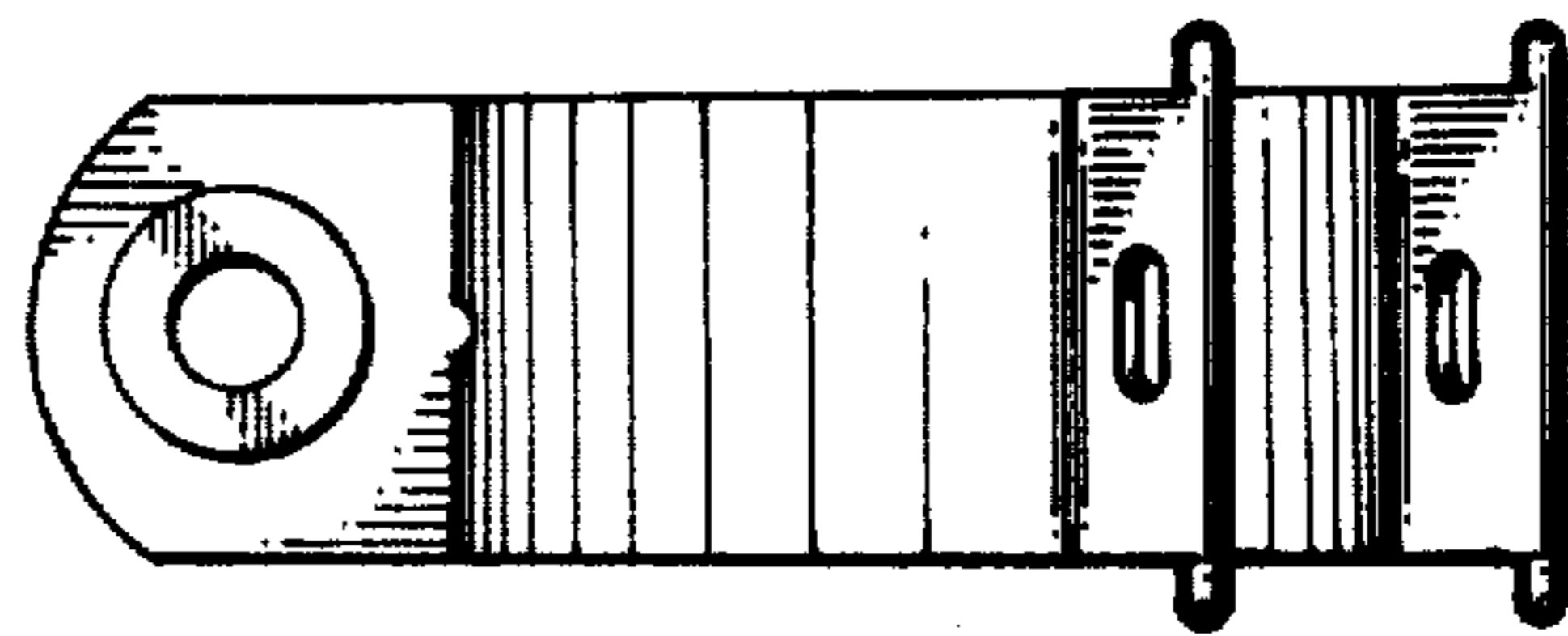


Fig. 5

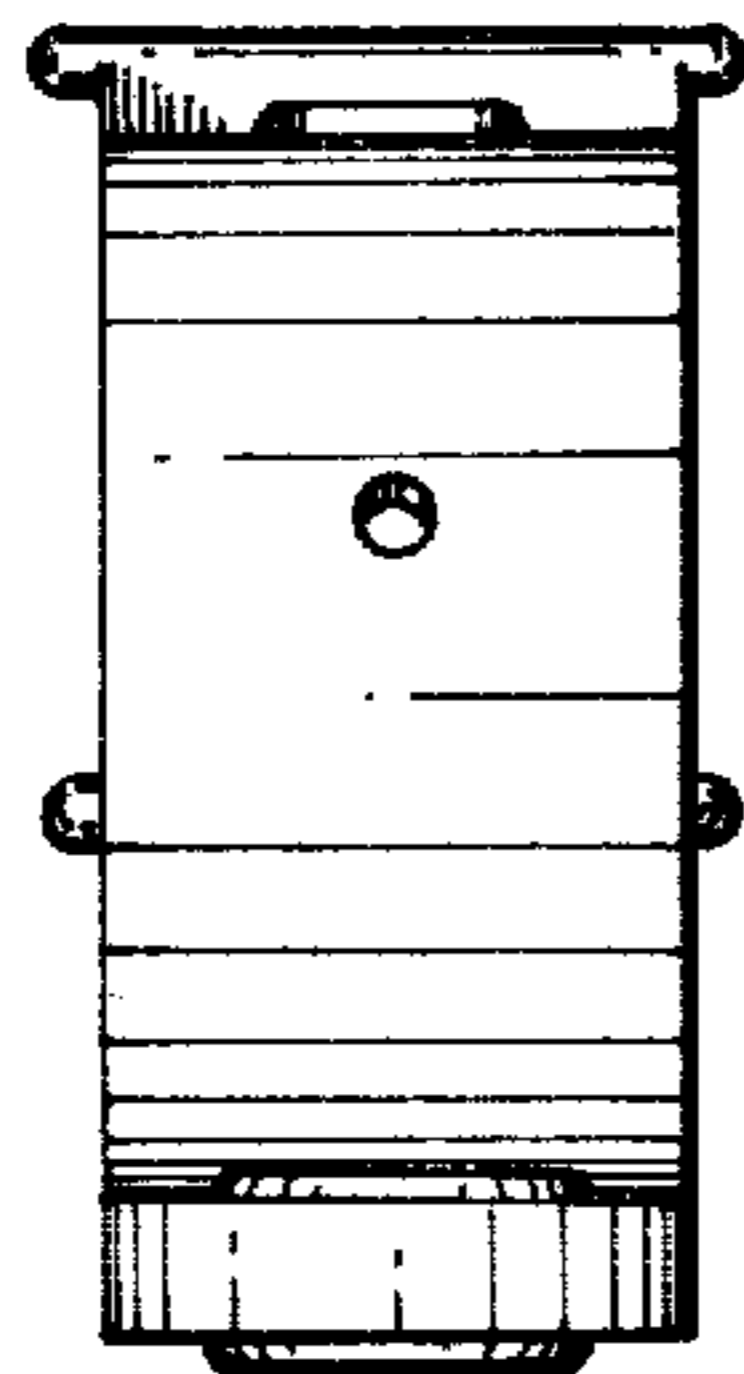


Fig. 7

