

[54] TOOL FOR STRIPPING INSULATING COVERING

[75] Inventor: Masahiko Nakamura, Matsuzaka, Japan

[73] Assignee: Kabushiki Kaisha Matsuzaka Tekkosho (MCC Corporation), Mie, Japan

[**] Term: 14 Years

[21] Appl. No.: 182,614

[22] Filed: Aug. 29, 1980

[51] Int. Cl. D8-05

[52] U.S. Cl. D8/52

[58] Field of Search D8/52, 98; 81/9.5 A, 81/95 R

[56] References Cited

U.S. PATENT DOCUMENTS

- D. 239,498 4/1976 Wiener D8/52
- D. 253,088 10/1979 Levin D8/52
- 3,913,425 10/1975 Iff 81/9.5 A
- 4,116,092 9/1978 Wheeler 81/9.5 R

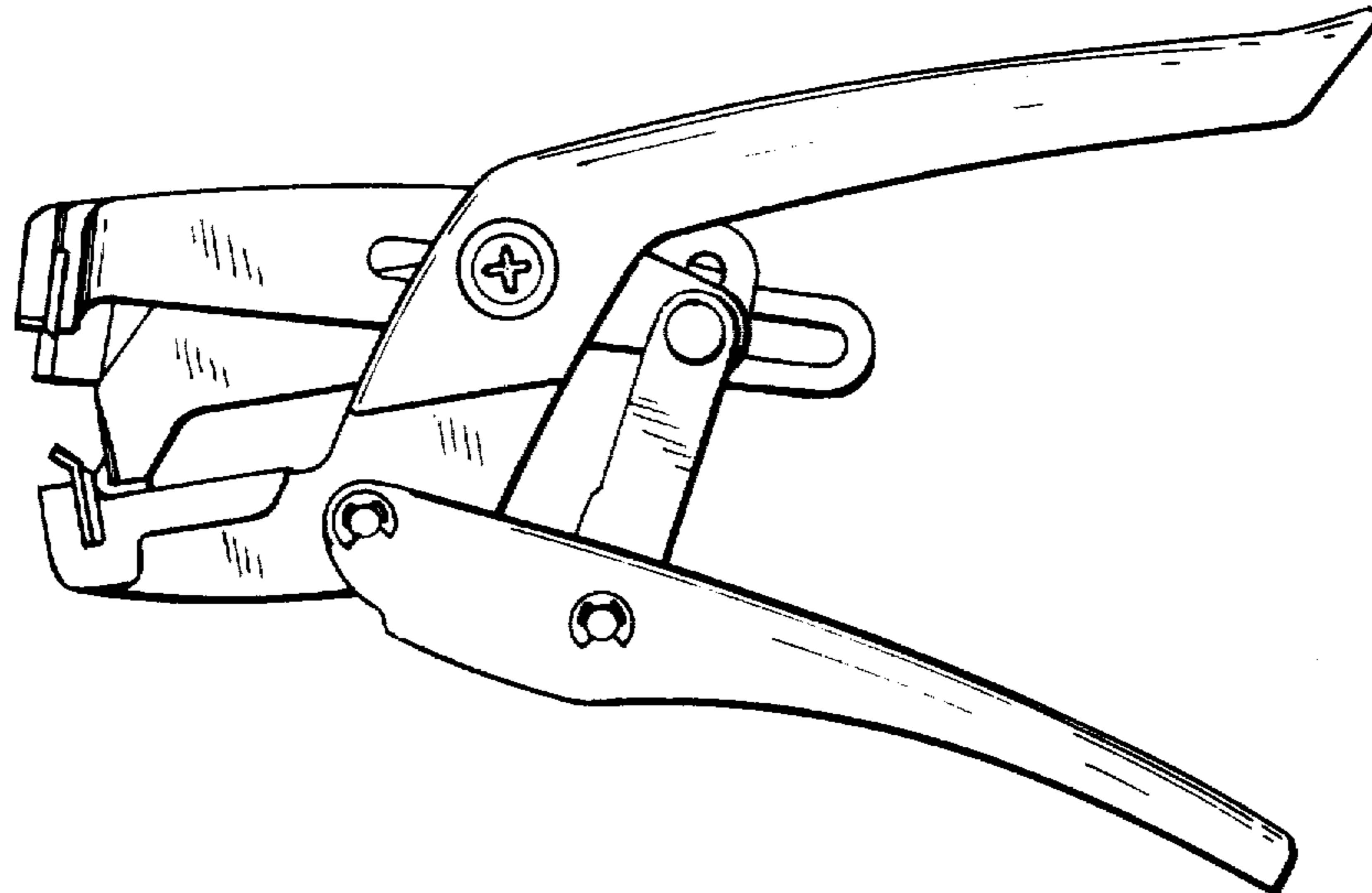
Primary Examiner—Alan P. Douglas
Attorney, Agent, or Firm—Wenderoth, Lind & Ponack

[57] CLAIM

The ornamental design for a tool for stripping insulating covering, substantially as shown.

DESCRIPTION

FIG. 1 is a front view of a tool for stripping insulating covering, showing my new design;
FIG. 2 is a rear view thereof;
FIG. 3 is a top plan view thereof;
FIG. 4 is a bottom view thereof;
FIG. 5 is a left side view thereof;
FIG. 6 is a right side view thereof; and
FIG. 7 is a cross-sectional view thereof.



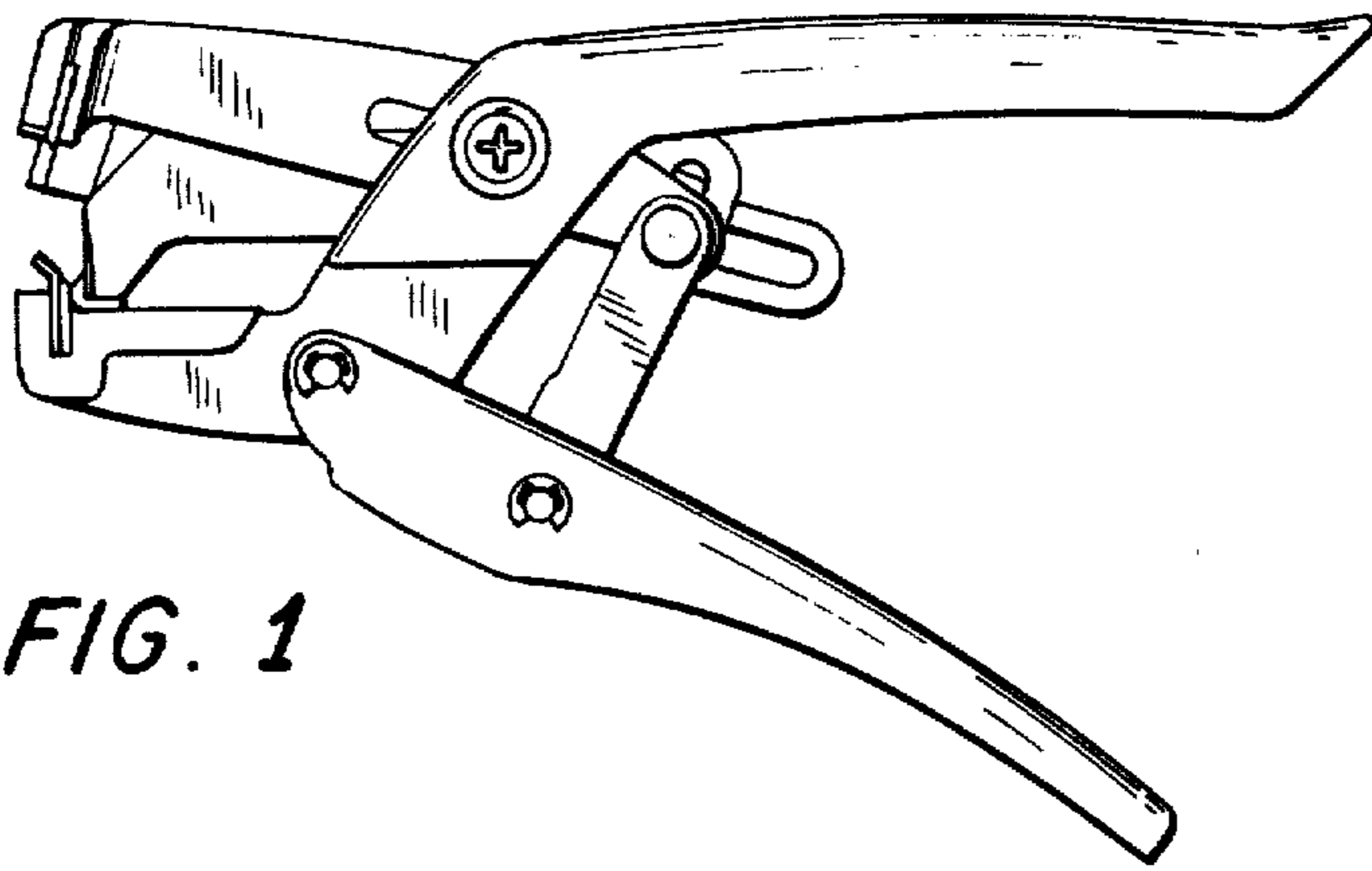


FIG. 1

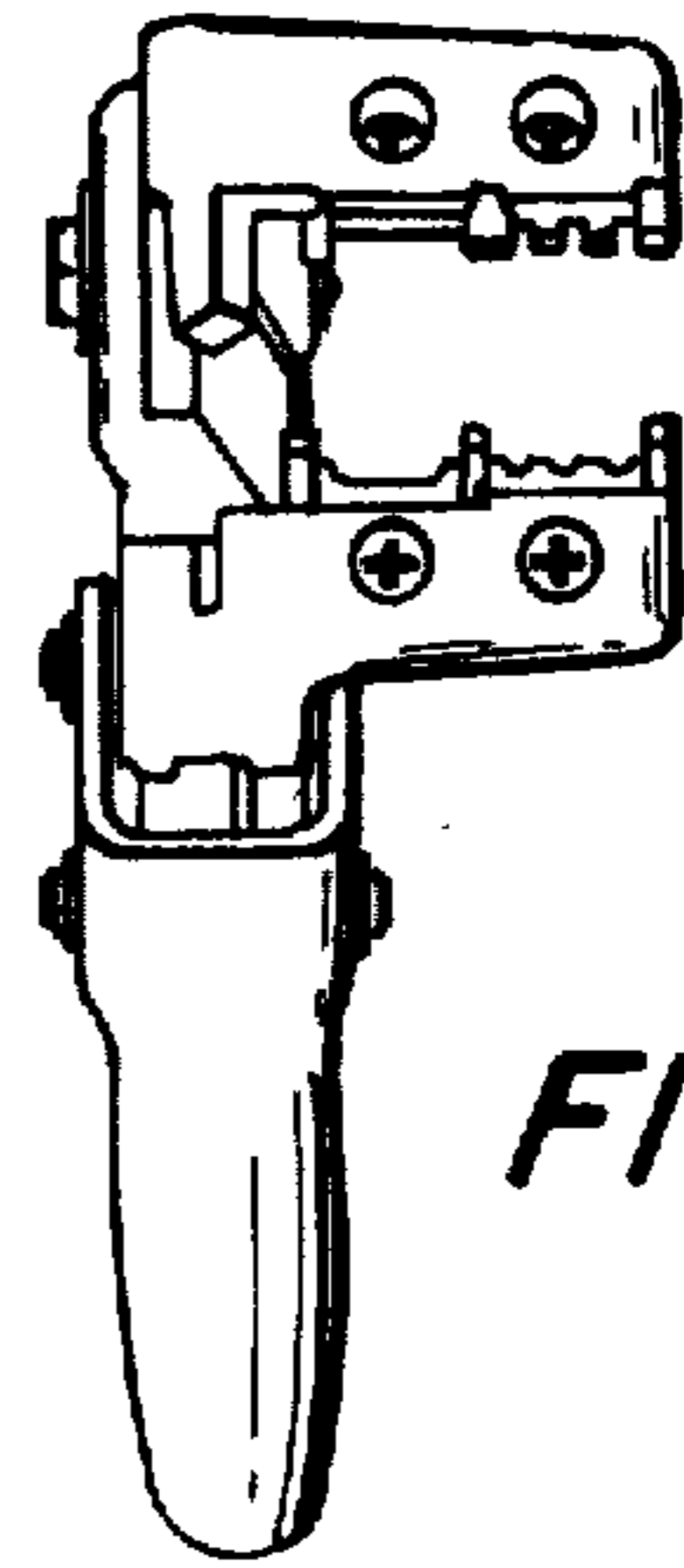


FIG. 5

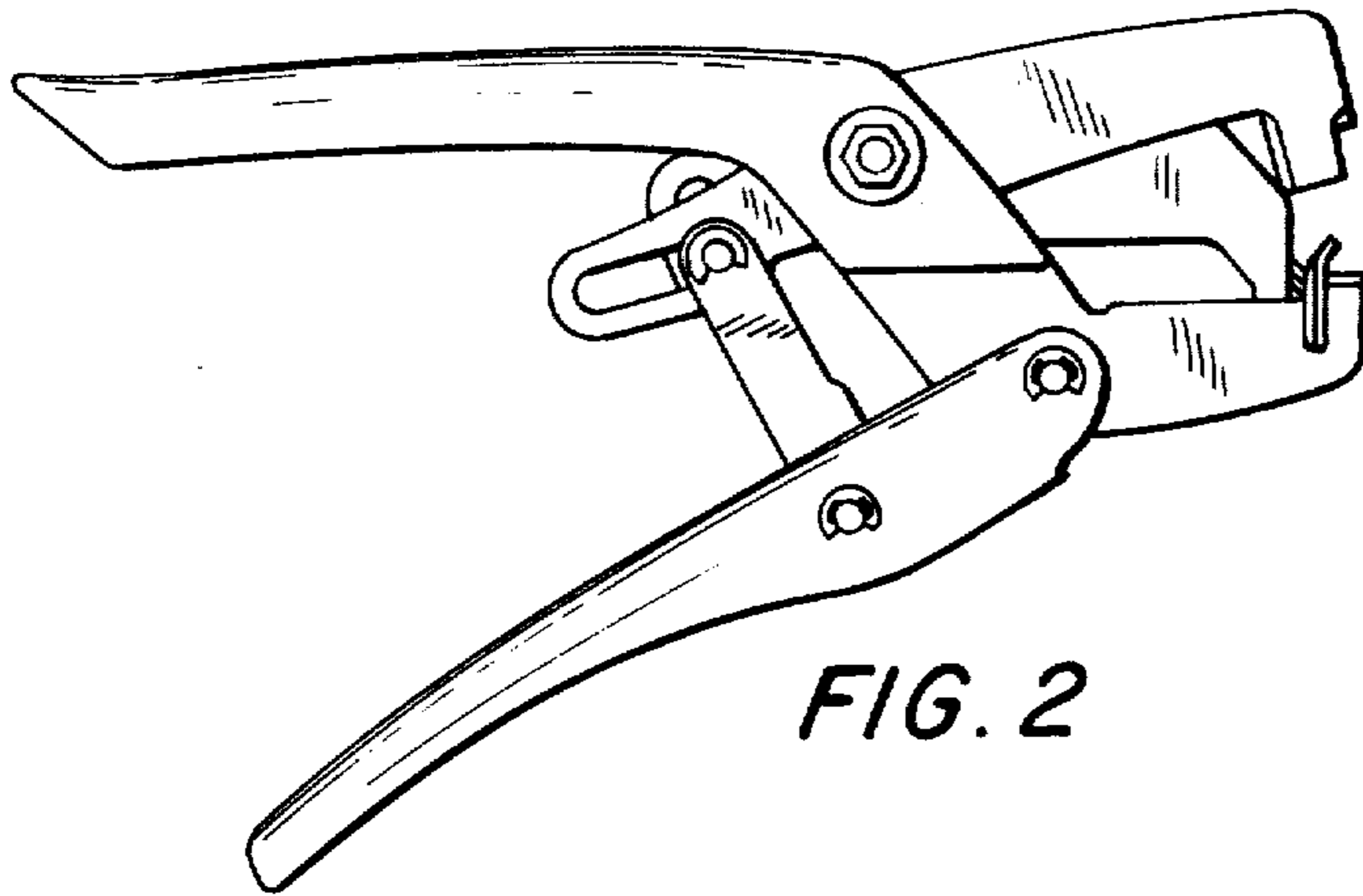


FIG. 2

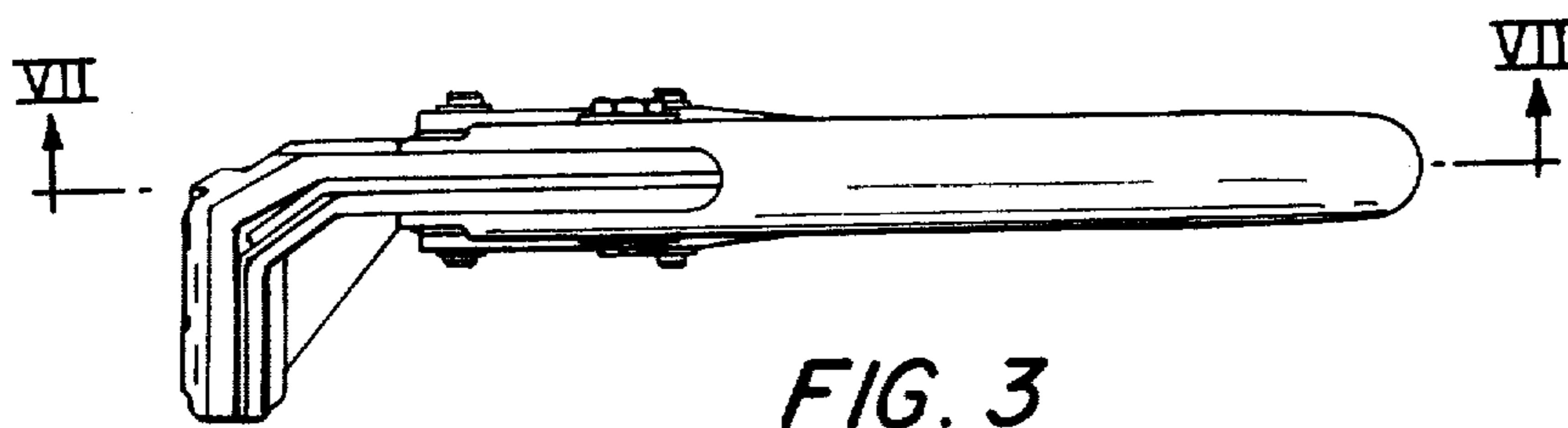


FIG. 3

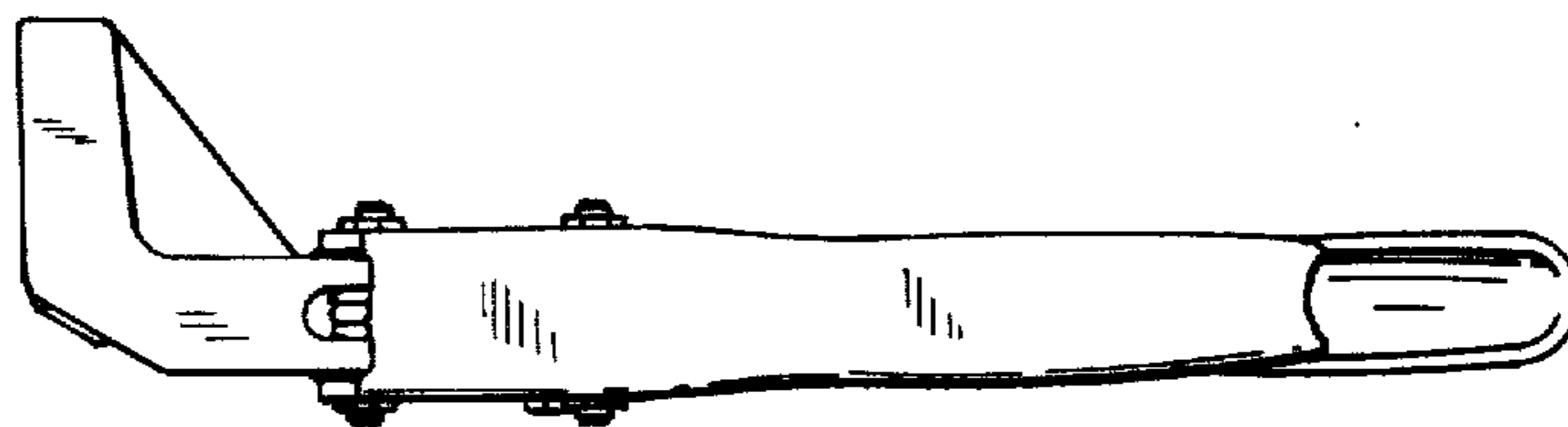


FIG. 4

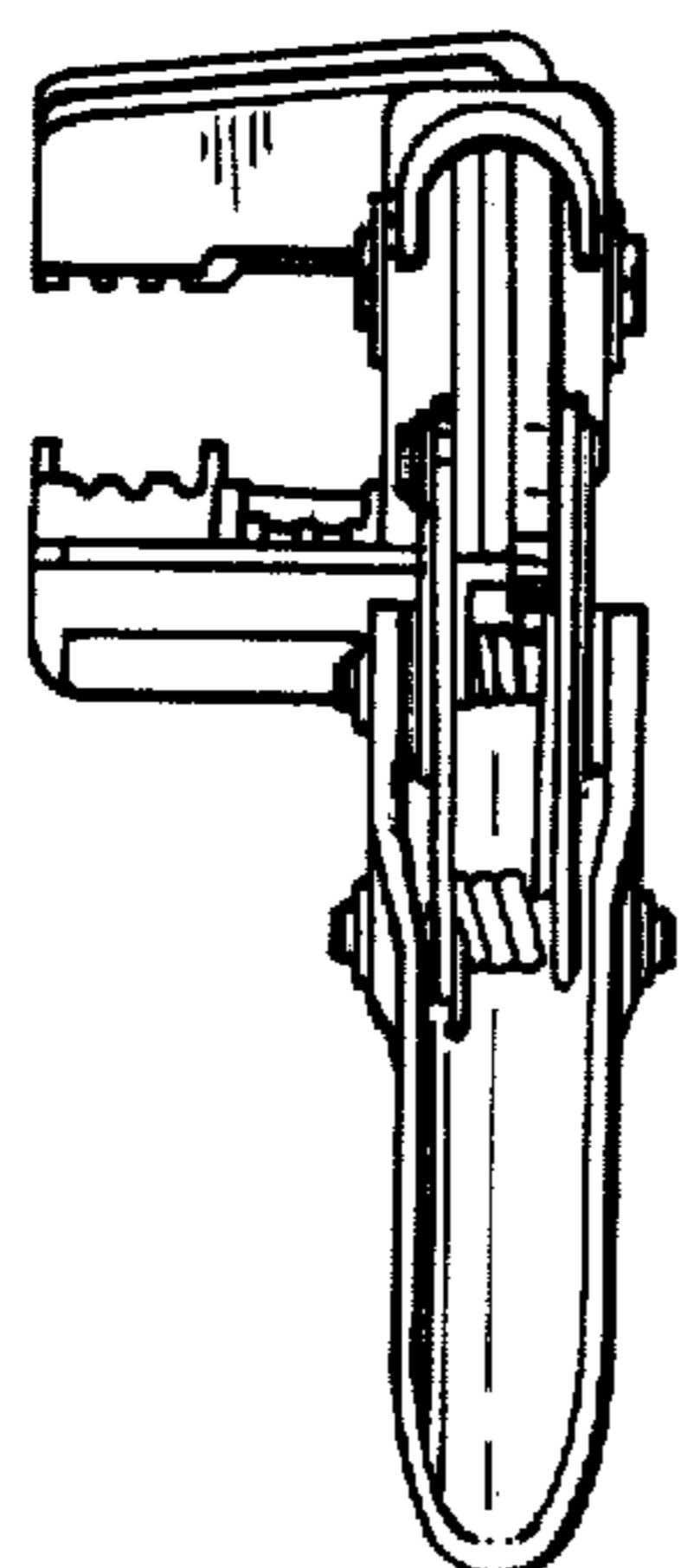


FIG. 6

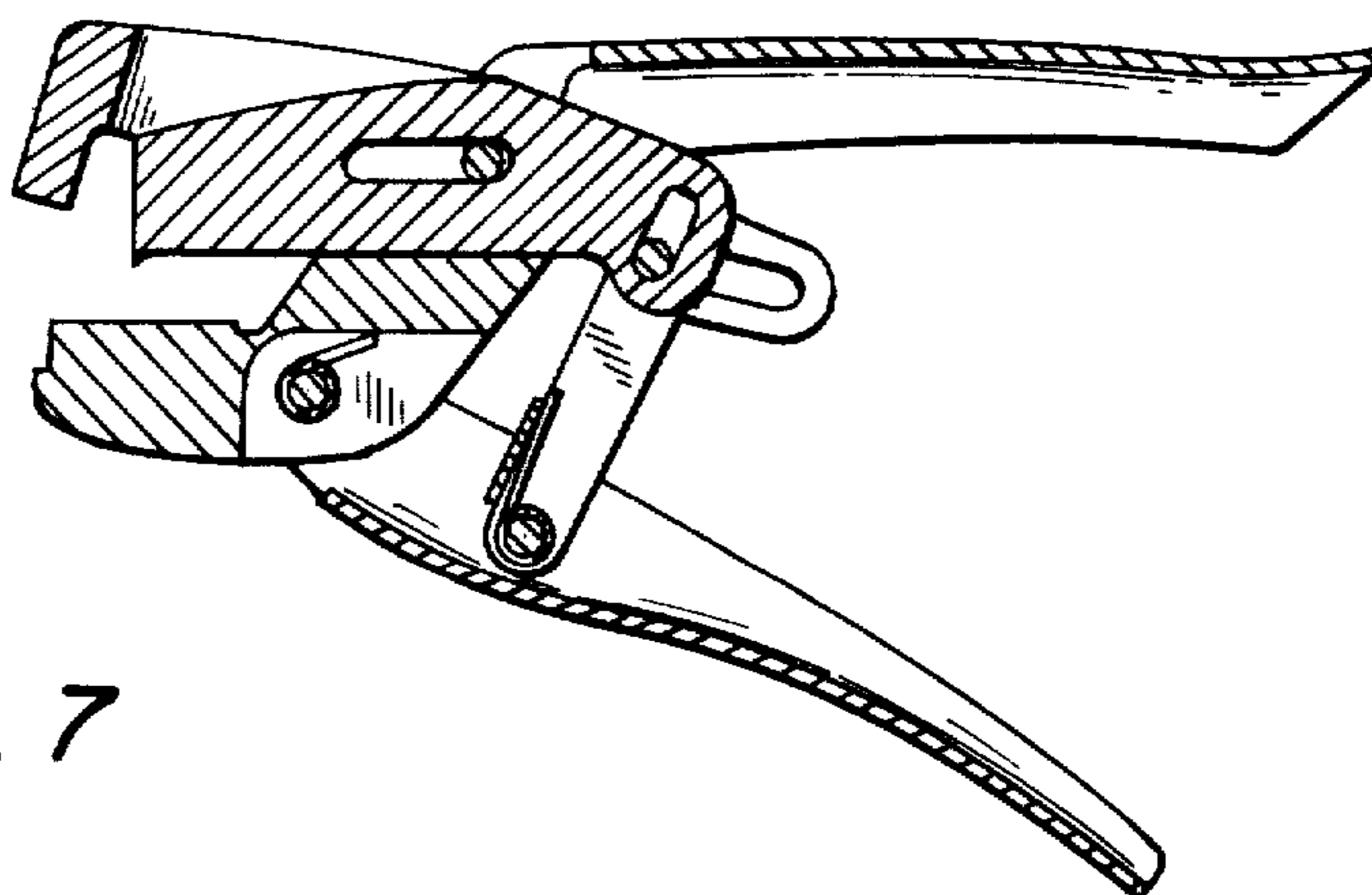


FIG. 7