

[54] **CAN OPENER**

[75] Inventor: **Rolf-Günter Schülein**, Singhoffen,  
Fed. Rep. of Germany

[73] Assignee: **ITT Industries, Inc.**, New York, N.Y.

[\*\*] Term: **14 Years**

[21] Appl. No.: **334,623**

[22] Filed: **Dec. 28, 1981**

**Related U.S. Application Data**

[63] Continuation-in-part of Ser. No. 265,921, May 21,  
1981.

[30] **Foreign Application Priority Data**

Jan. 20, 1981 [DE] Fed. Rep. of Germany ... 6MR 1072

[51] Int. Cl. .... **D07-99**

[52] U.S. Cl. .... **D8/39; D8/41**

[58] Field of Search ..... **D8/39, 40, 41; 30/426,  
30/427, 433**

[56] **References Cited**

**U.S. PATENT DOCUMENTS**

D. 191,046 8/1961 Hvale ..... D8/39  
2,592,934 4/1952 McLean ..... 30/426

**OTHER PUBLICATIONS**

*Housewares*, Jan. 1974, p. 50, "Jr. Portable Can Opener", bottom right of page.

*Hong Kong Enterprises*, vol. 9, Sep. 1980, p. 126, Can Opener, second from bottom left of page.

*Primary Examiner*—Joel Stearman

*Assistant Examiner*—Carmen H. Vales

*Attorney, Agent, or Firm*—John T. O'Halloran

[57] **CLAIM**

The ornamental design for a can opener, as shown and described.

**DESCRIPTION**

FIG. 1 is a front perspective view of a can opener showing my new design;

FIG. 2 is a front perspective view in closed position;

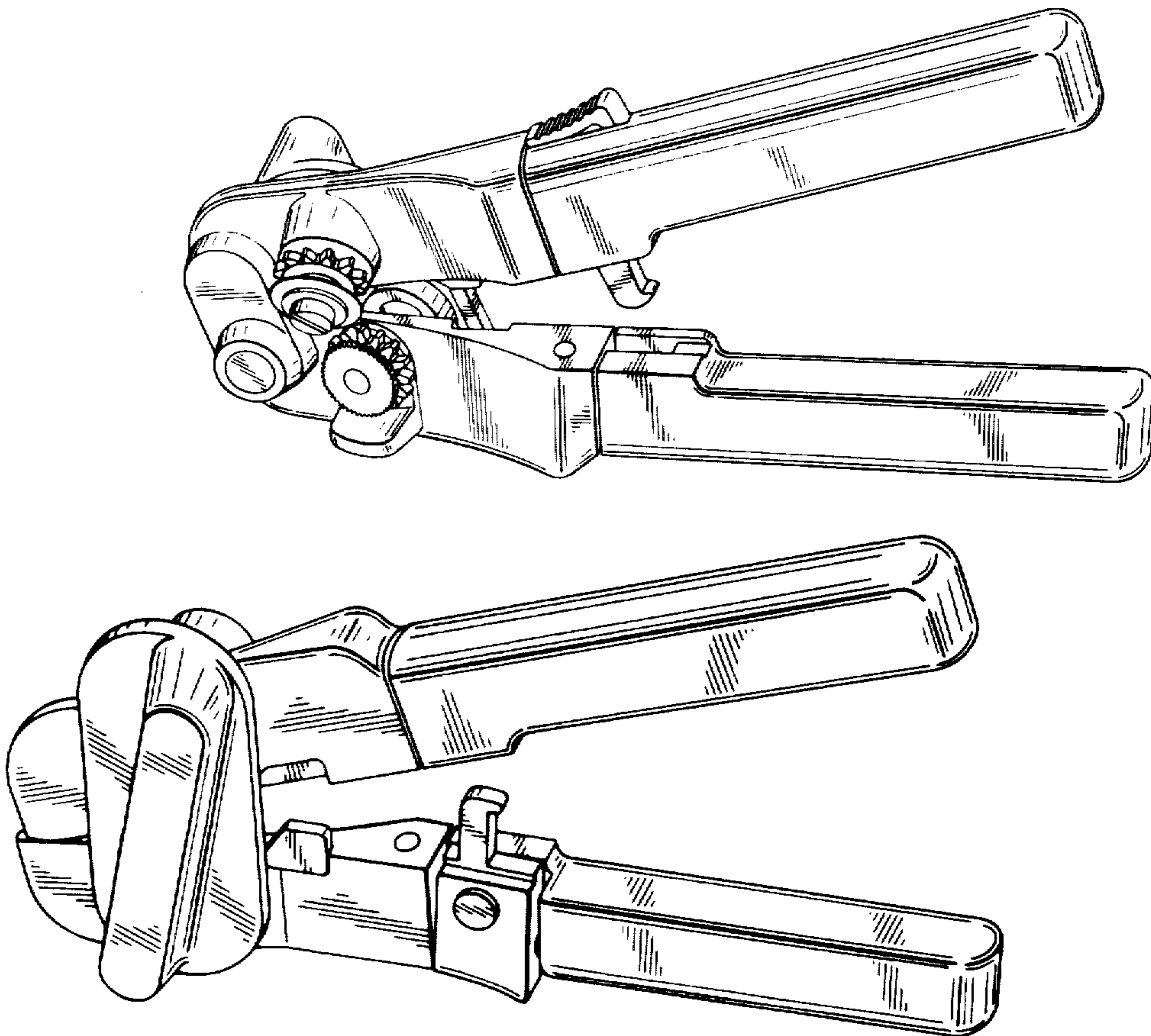
FIG. 3 is a rear perspective view thereof;

FIG. 4 is a rear perspective view in closed position;

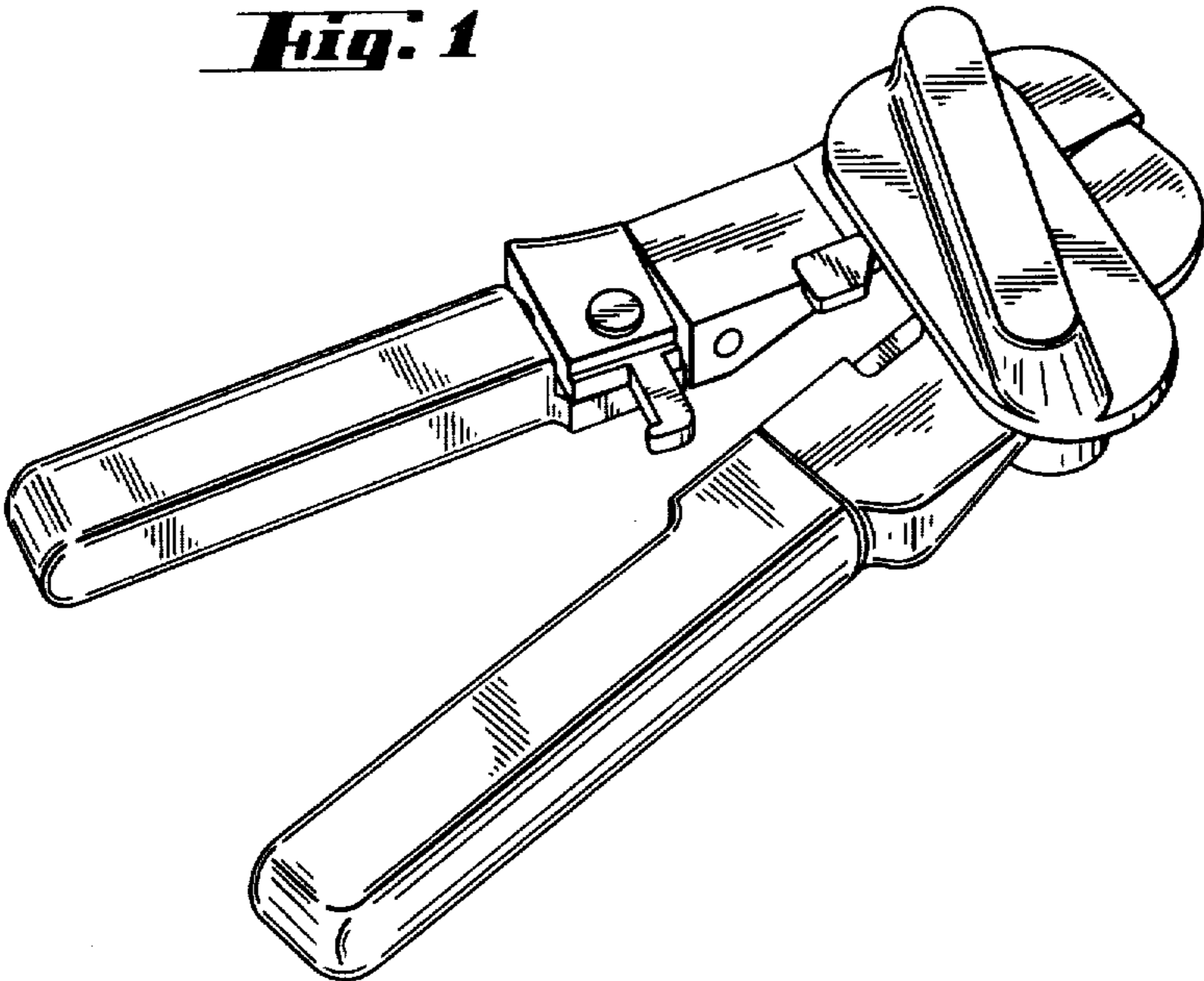
FIG. 5 is an enlarged front elevational view thereof;

FIG. 6 is an enlarged side elevational view thereof; and

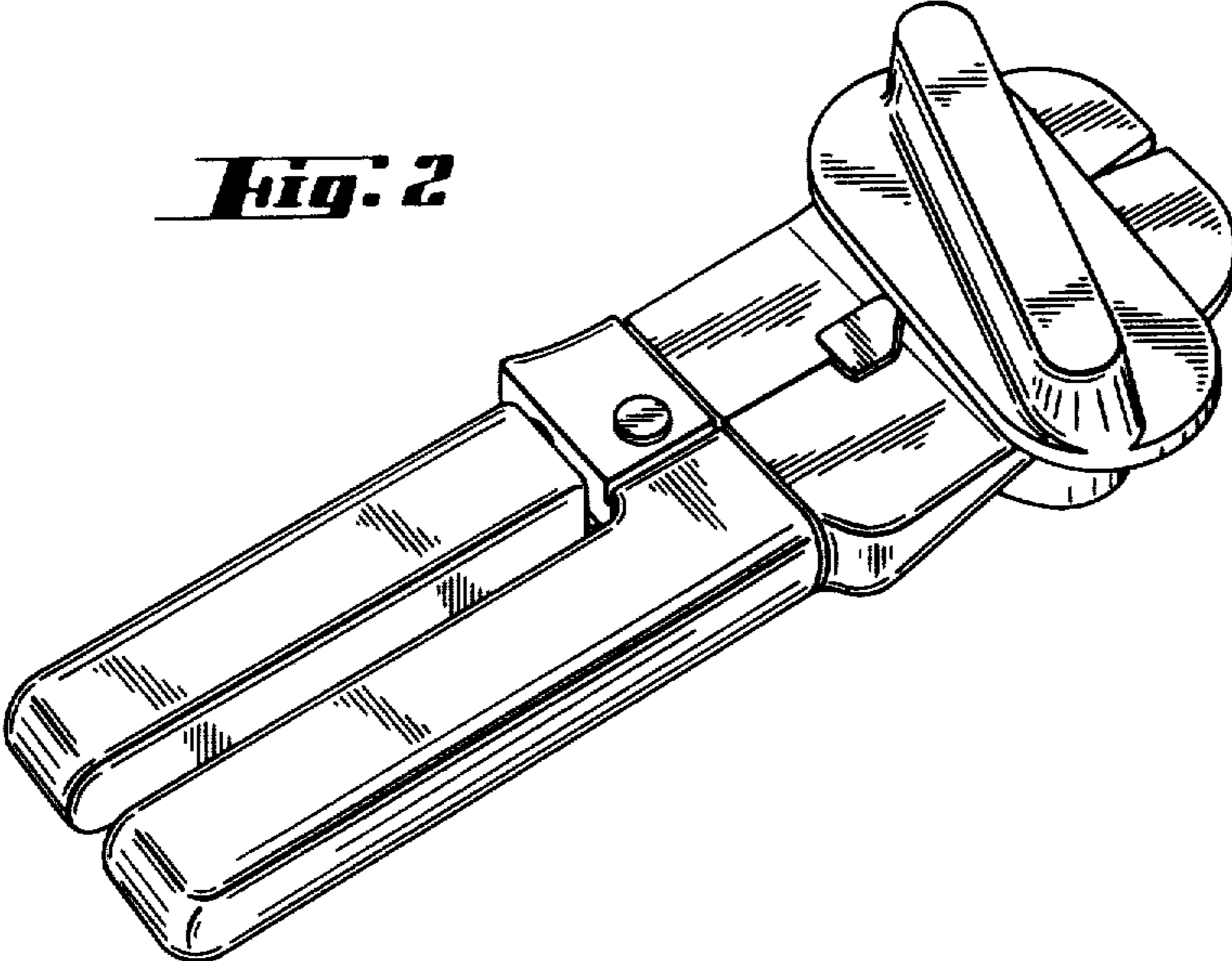
FIG. 7 is an enlarged rear elevational view thereof.



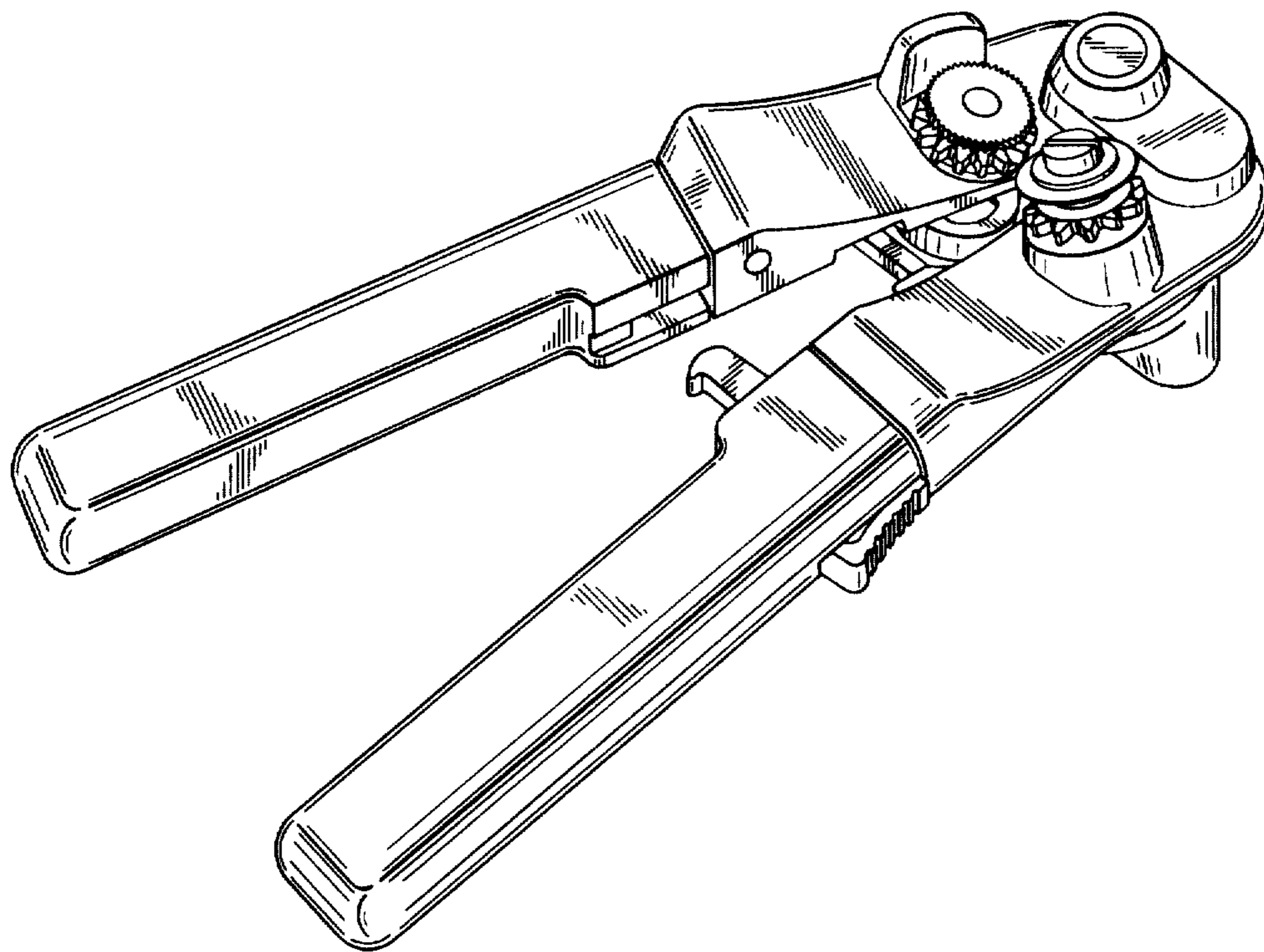
***Fig. 1***



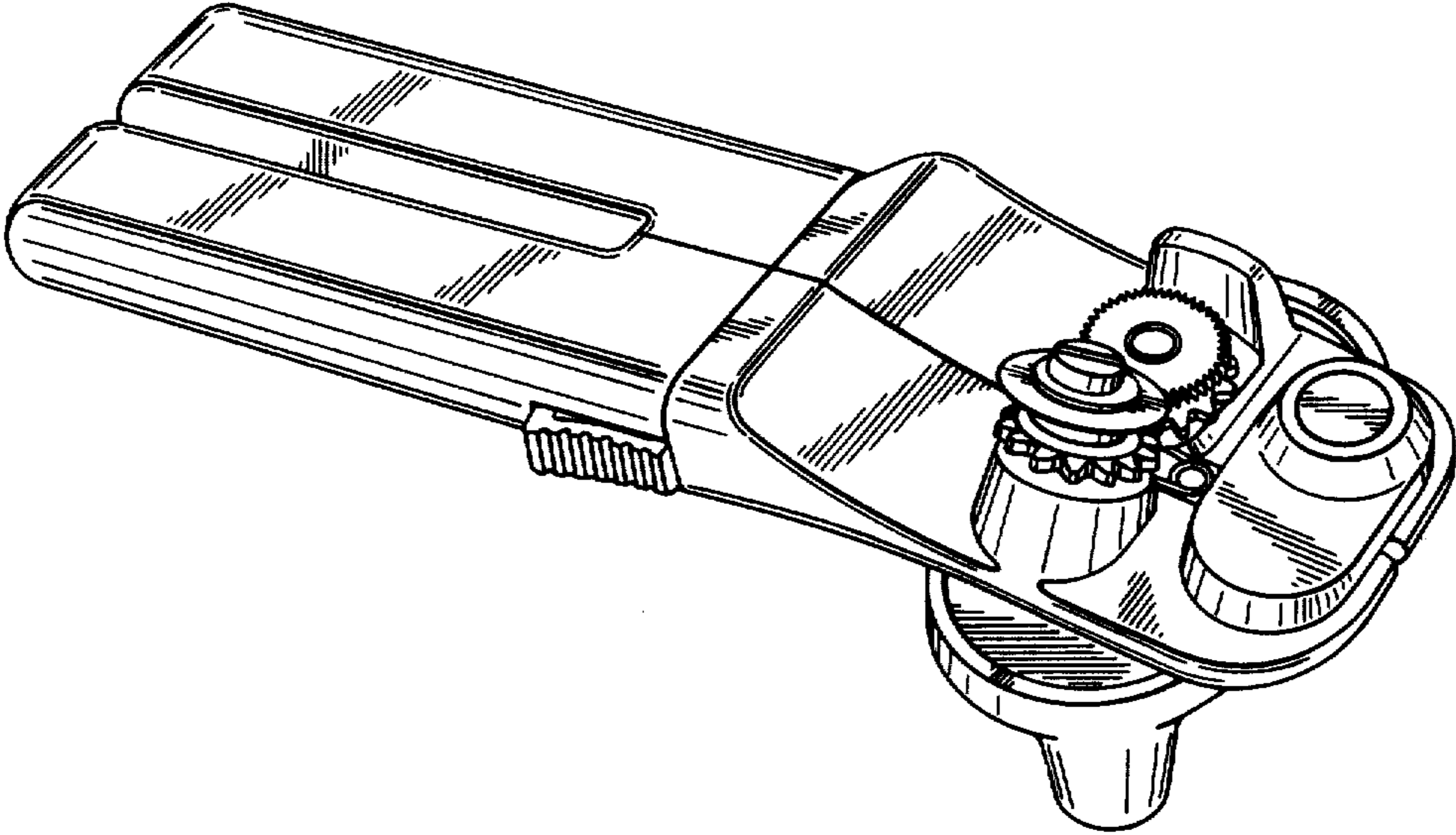
***Fig. 2***



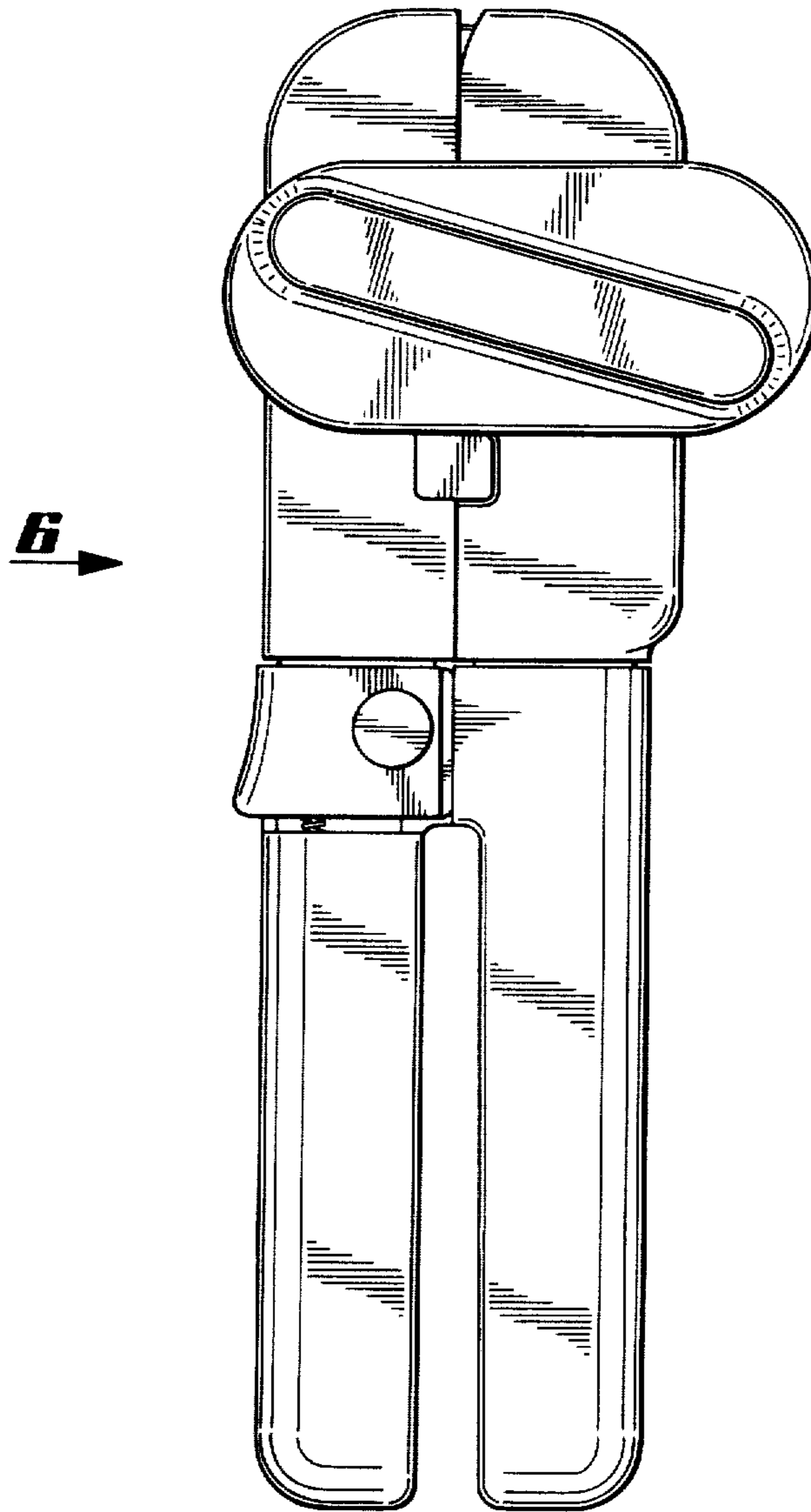
***Fig. 3***



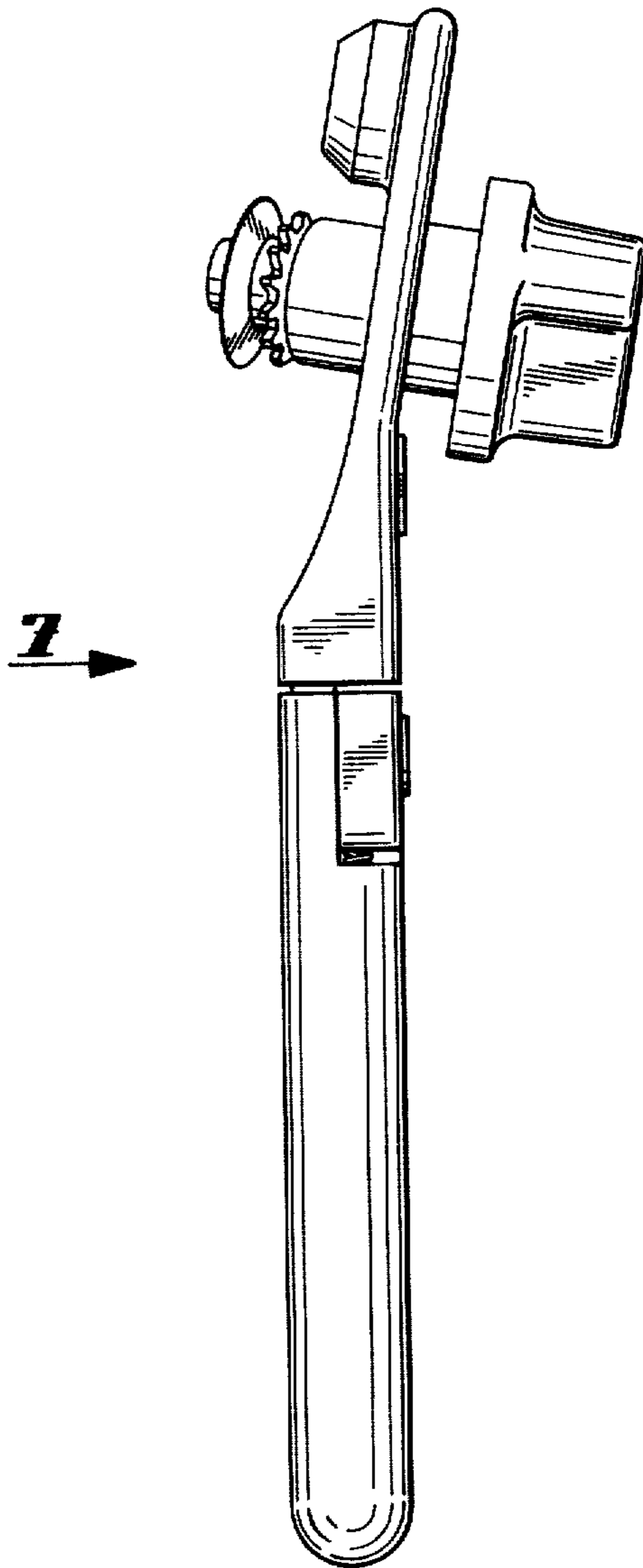
***Fig. 4***



***Fig. 5***



***Fig. 6***



***Fig. 7***

