

[54] BEER KEG COOLER

[75] Inventors: Theodore Trkla, West St. Paul; William A. Throolin, Delano, both of Minn.

[73] Assignee: Capital Industries, Inc., South St. Paul, Minn.

[\*\*] Term: 14 Years

[21] Appl. No.: 201,003

[22] Filed: Oct. 27, 1980

[51] Int. Cl. .... D07-07

[52] U.S. Cl. .... D7/77; D7/17; D7/70; D9/353; D9/428; D34/39

[58] Field of Search ..... D7/79, 16, 17, 18, 76, D7/77, 78, 97, 3, 70; D34/39; D9/399, 390, 355, 349, 352, 353, 428; 62/294, 391, 400, 464

[56] References Cited

U.S. PATENT DOCUMENTS

- D. 183,975 11/1958 Painter ..... D7/78
- D. 188,513 8/1960 Moore ..... D7/77

- D. 261,088 10/1981 Akimov et al. .... D7/77
- 2,261,276 11/1941 Patterson ..... 62/400 X
- 4,042,142 8/1977 Ruano ..... 62/400 X
- 4,071,160 1/1978 Vick ..... 62/400 X

OTHER PUBLICATIONS

W. Bell & Co., 1975 Catalog, p. 301, Item D #81901e/350 at top right, Teakwood Ice Bucket.

Primary Examiner—Winifred E. Herrmann

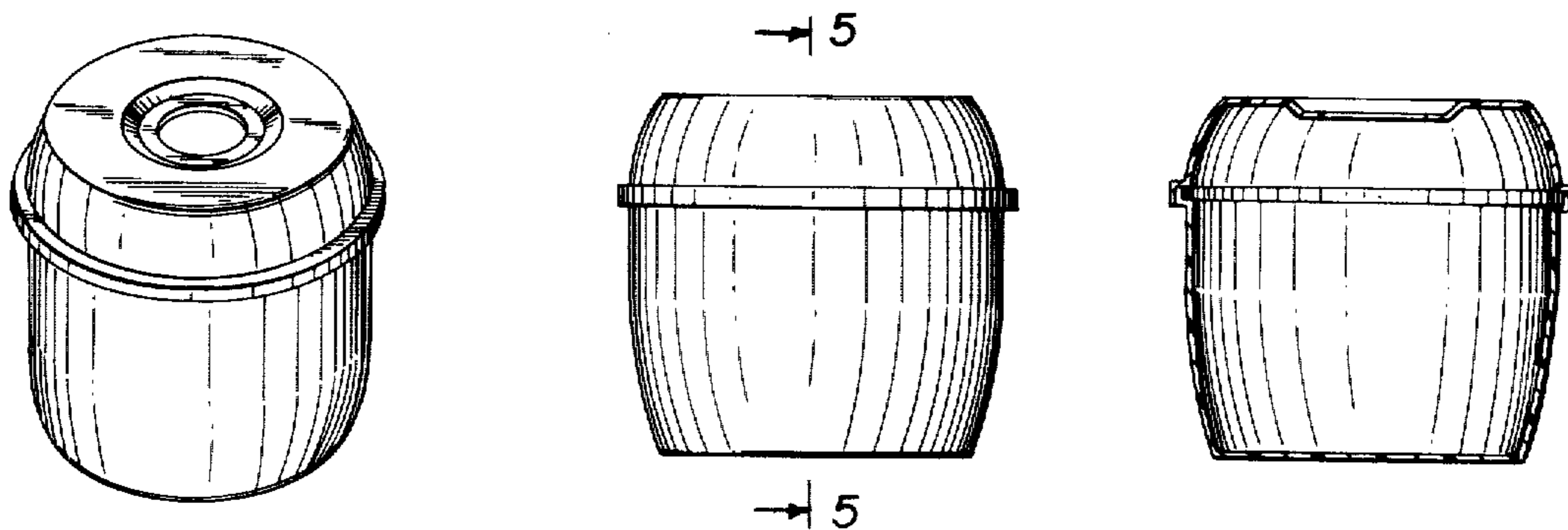
Attorney, Agent, or Firm—Kinney, Lange, Braddock, Westman and Fairbairn

[57] CLAIM

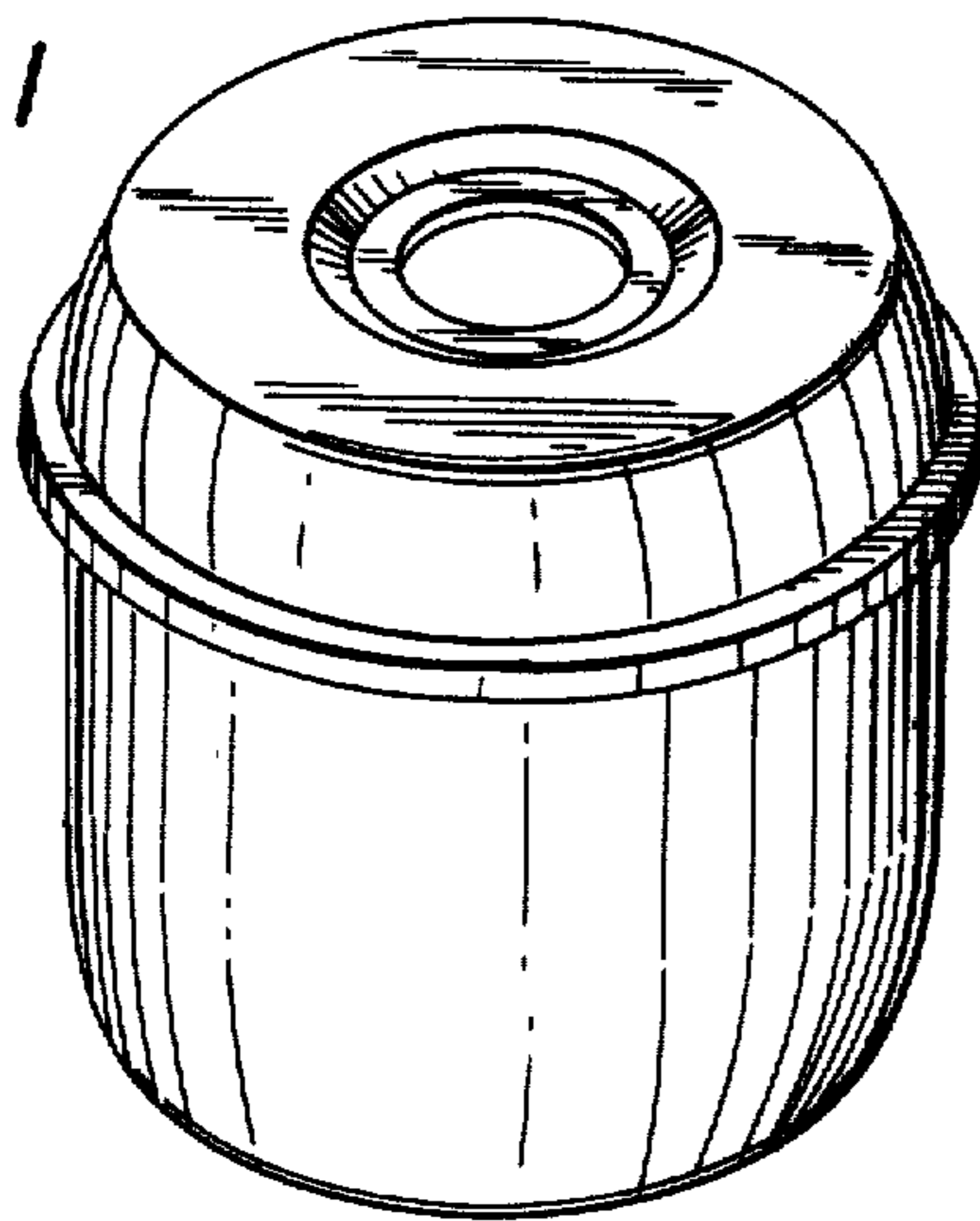
The ornamental design for a beer keg cooler, substantially as shown.

DESCRIPTION

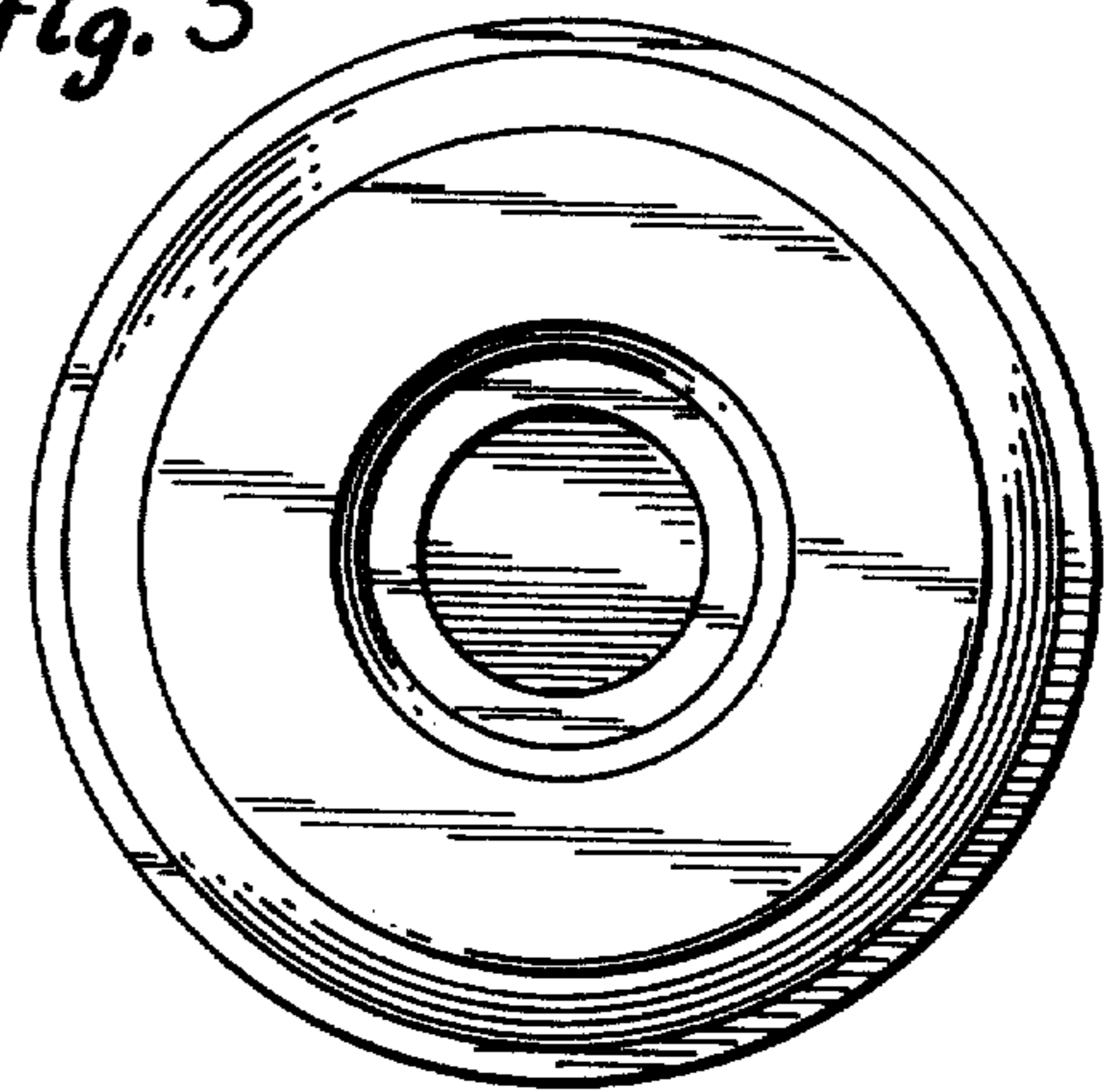
FIG. 1 is a top perspective view of a beer keg cooler showing our new design;  
 FIG. 2 is a side elevational view thereof showing the side opposite from that shown in FIG. 1;  
 FIG. 3 is a top plan view thereof;  
 FIG. 4 is a bottom plan view thereof; and  
 FIG. 5 is a sectional view thereof taken on line 5—5 of FIG. 2.



*Fig. 1*

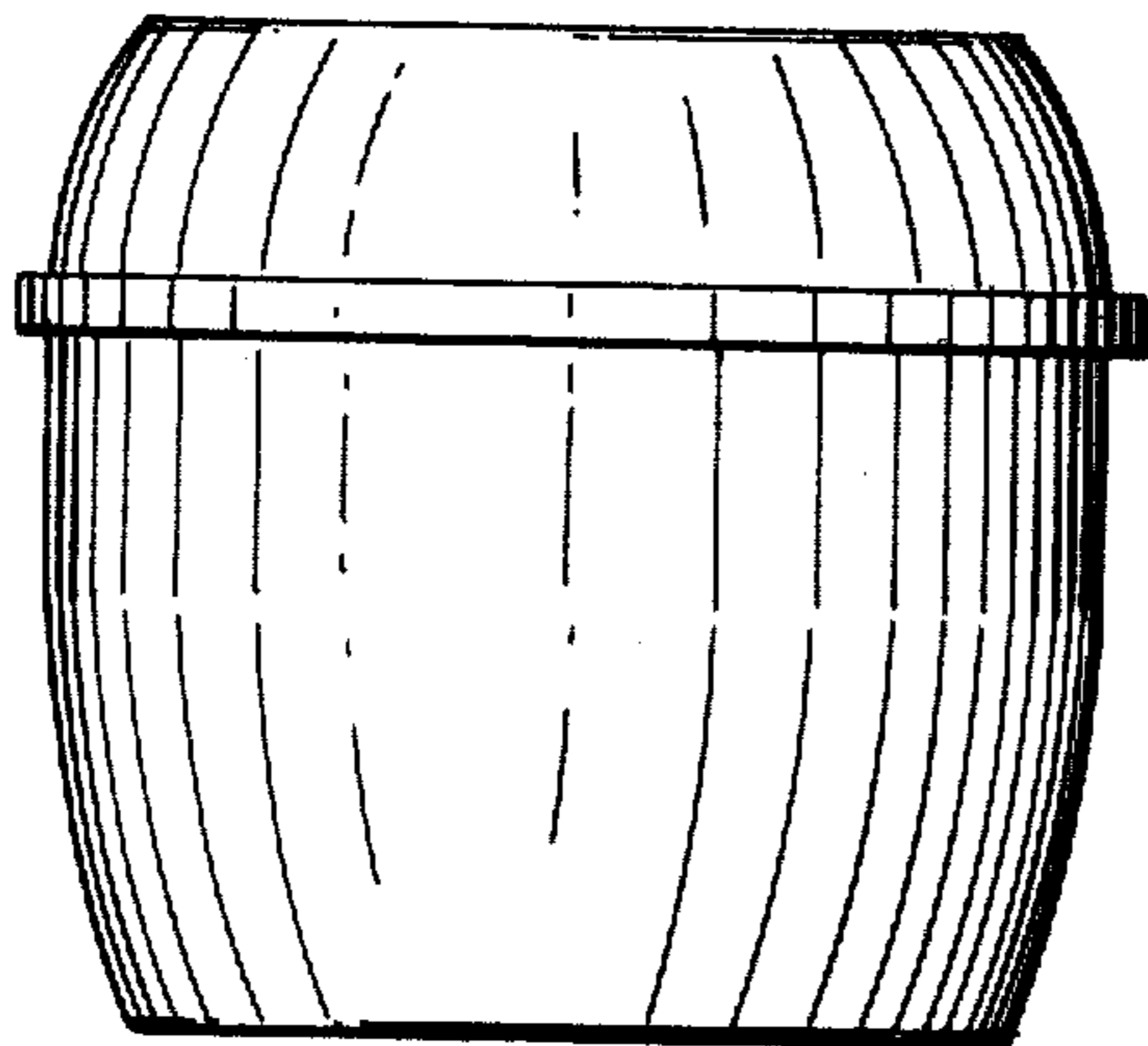


*Fig. 3*

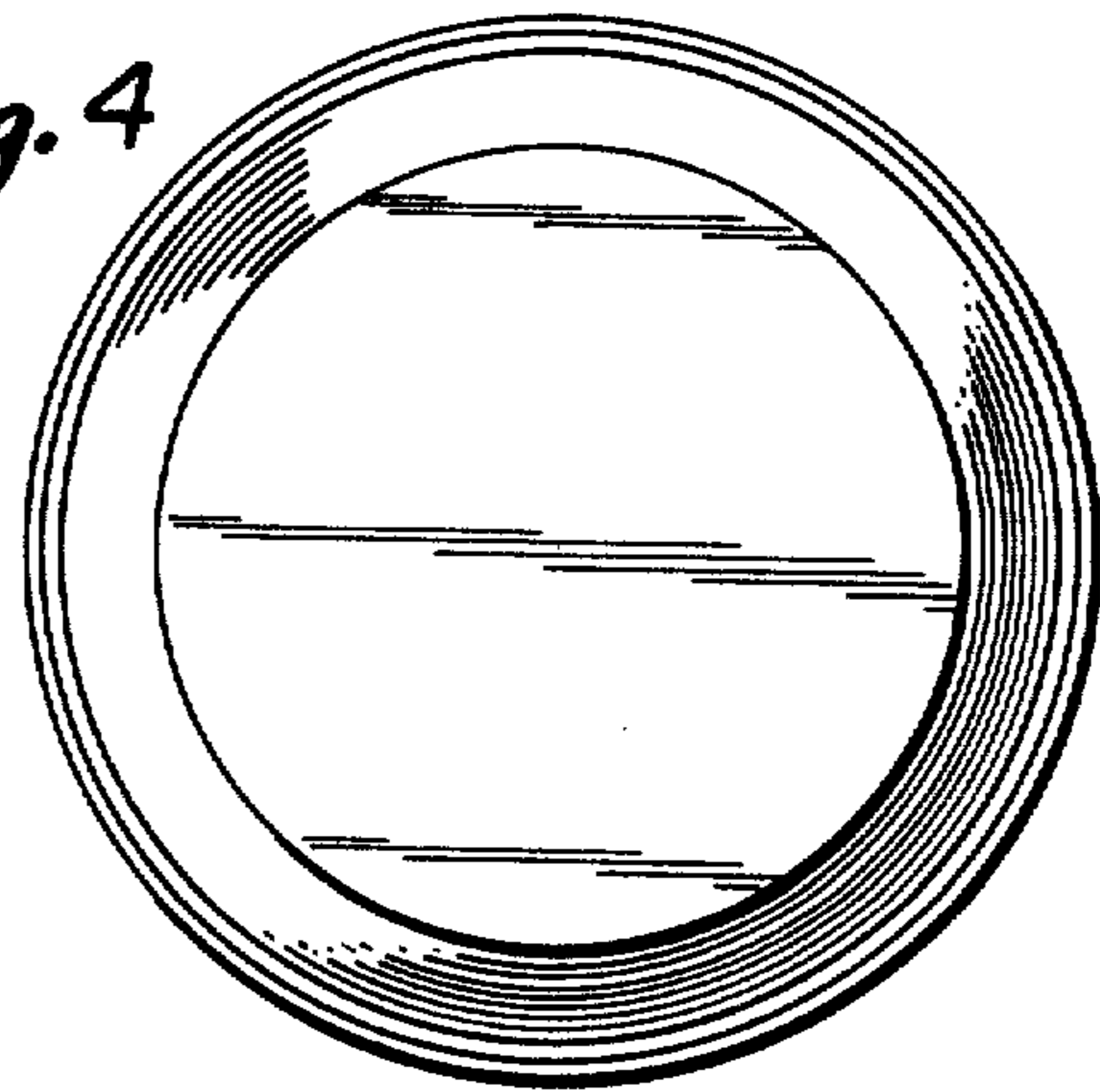


*Fig. 2*

→ 5



*Fig. 4*



→ 5

*Fig. 5*

