

[54] MUG

[75] Inventor: Edgar F. Trombly, Grosse Pointe Farms, Mich.

[73] Assignee: Thermo-Serv, Inc., Anoka, Minn.

[**] Term: 14 Years

[21] Appl. No.: 195,044

[22] Filed: Oct. 8, 1980

[51] Int. Cl. D07-01

[52] U.S. Cl. D7/9

[58] Field of Search D7/9, 70, 77, 3

[56] References Cited

U.S. PATENT DOCUMENTS

D. 177,575 5/1956 Louik D7/9

OTHER PUBLICATIONS

Best Products 1980 Buyer's Book, p. 272, "Thermo-Serv" 10 Ounce Mugs, Item F, left col., set of 4.

Primary Examiner—Winifred E. Herrmann
Attorney, Agent, or Firm—Kenneth J. Hovet

[57] CLAIM

The ornamental design for a mug, substantially as shown.

DESCRIPTION

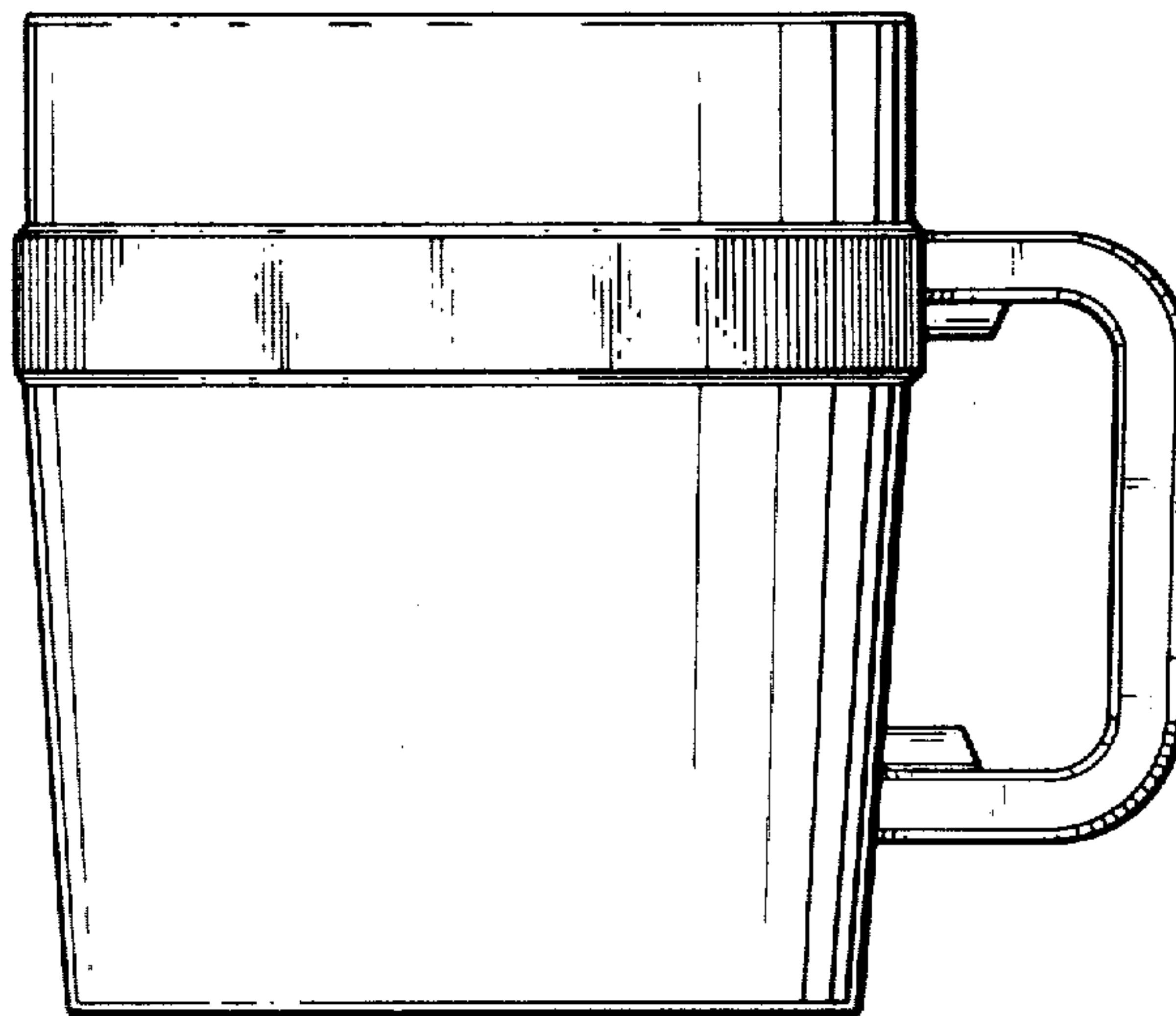
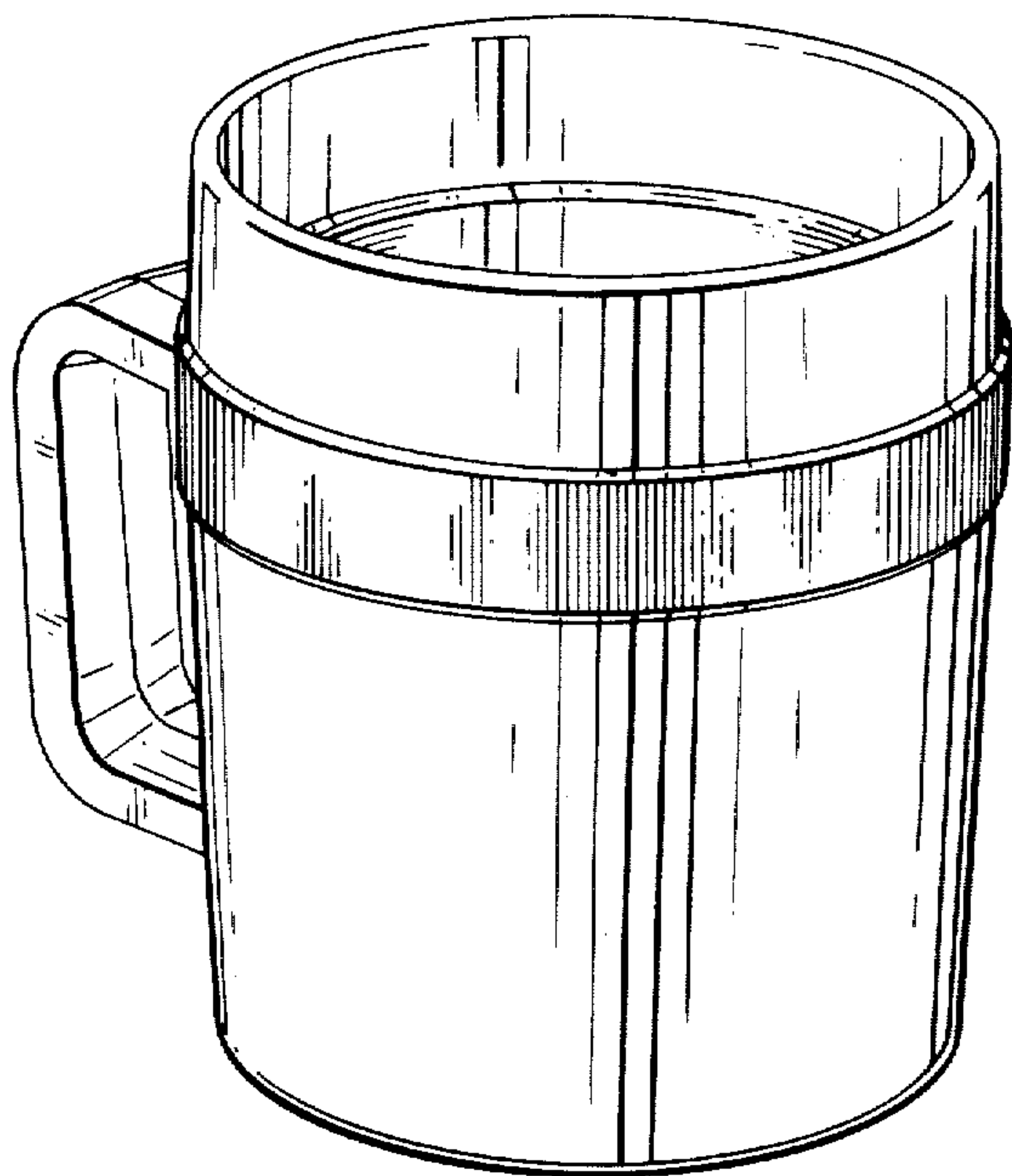
FIG. 1 is a perspective view of a mug showing my new design;

FIG. 2 is a side elevational view;

FIG. 3 is a side elevational view rotated 90° from that shown in FIG. 2;

FIG. 4 is a top plan view; and,

FIG. 5 is a bottom plan view.



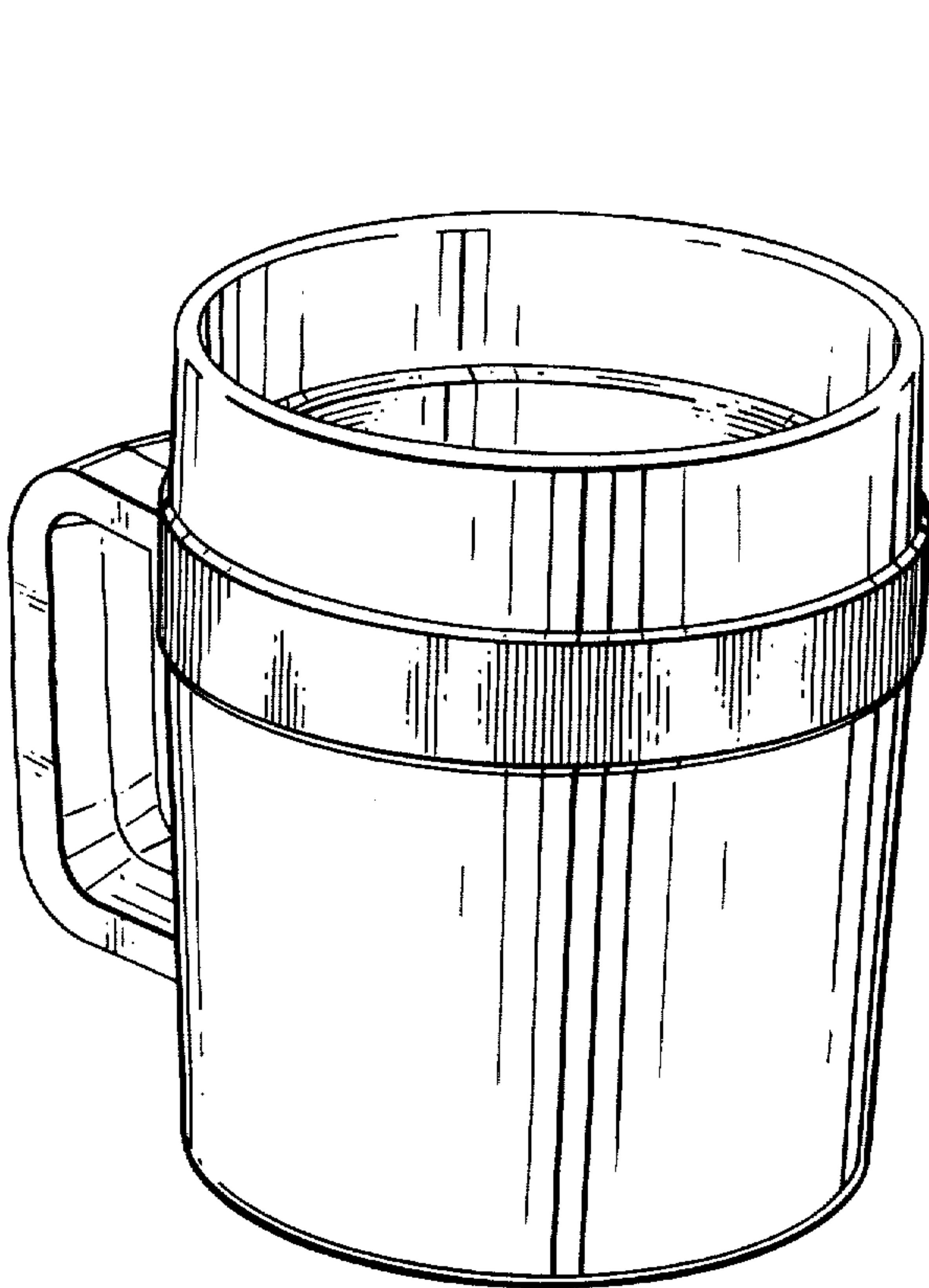


FIG. 1

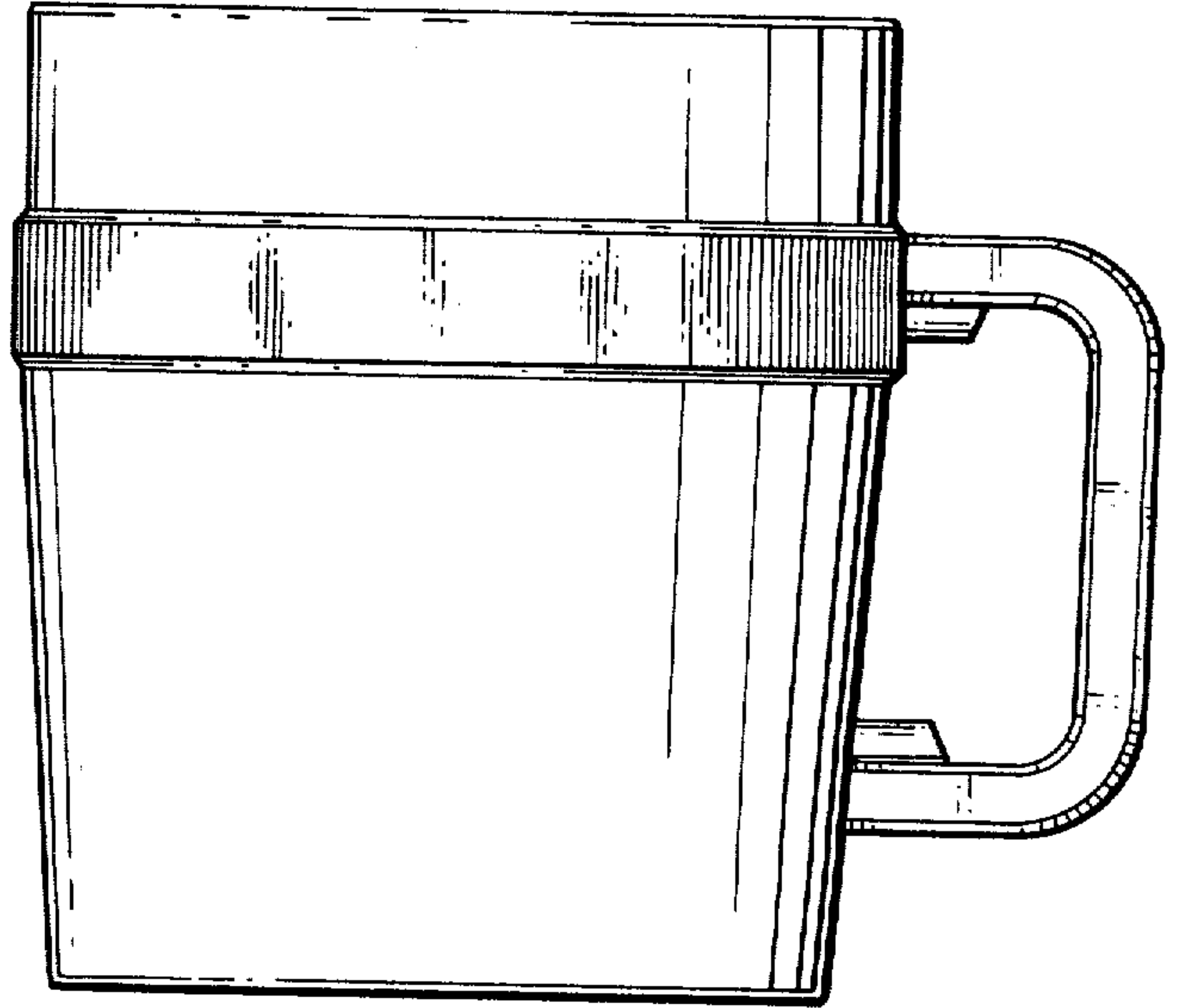


FIG. 3

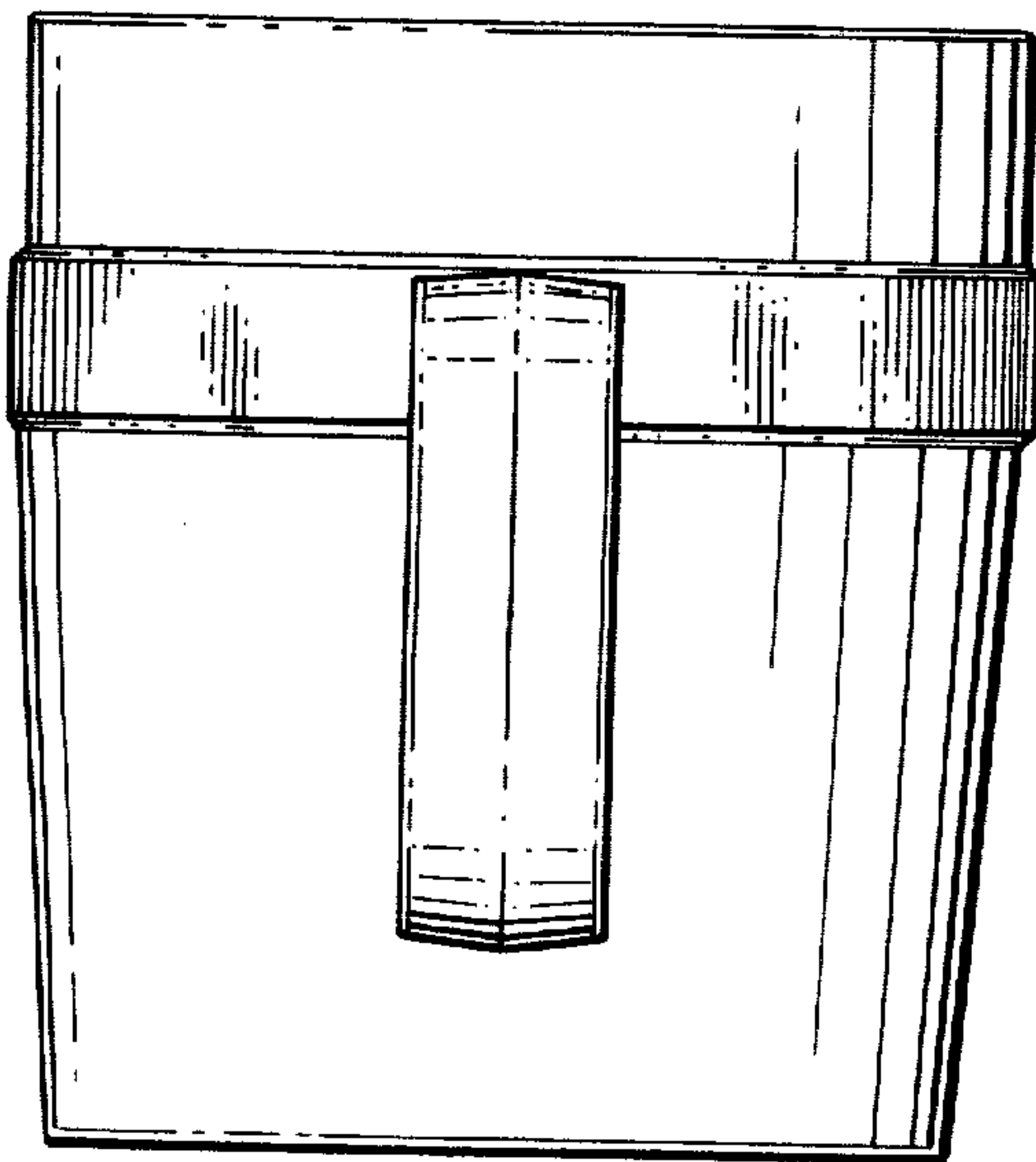


FIG. 2

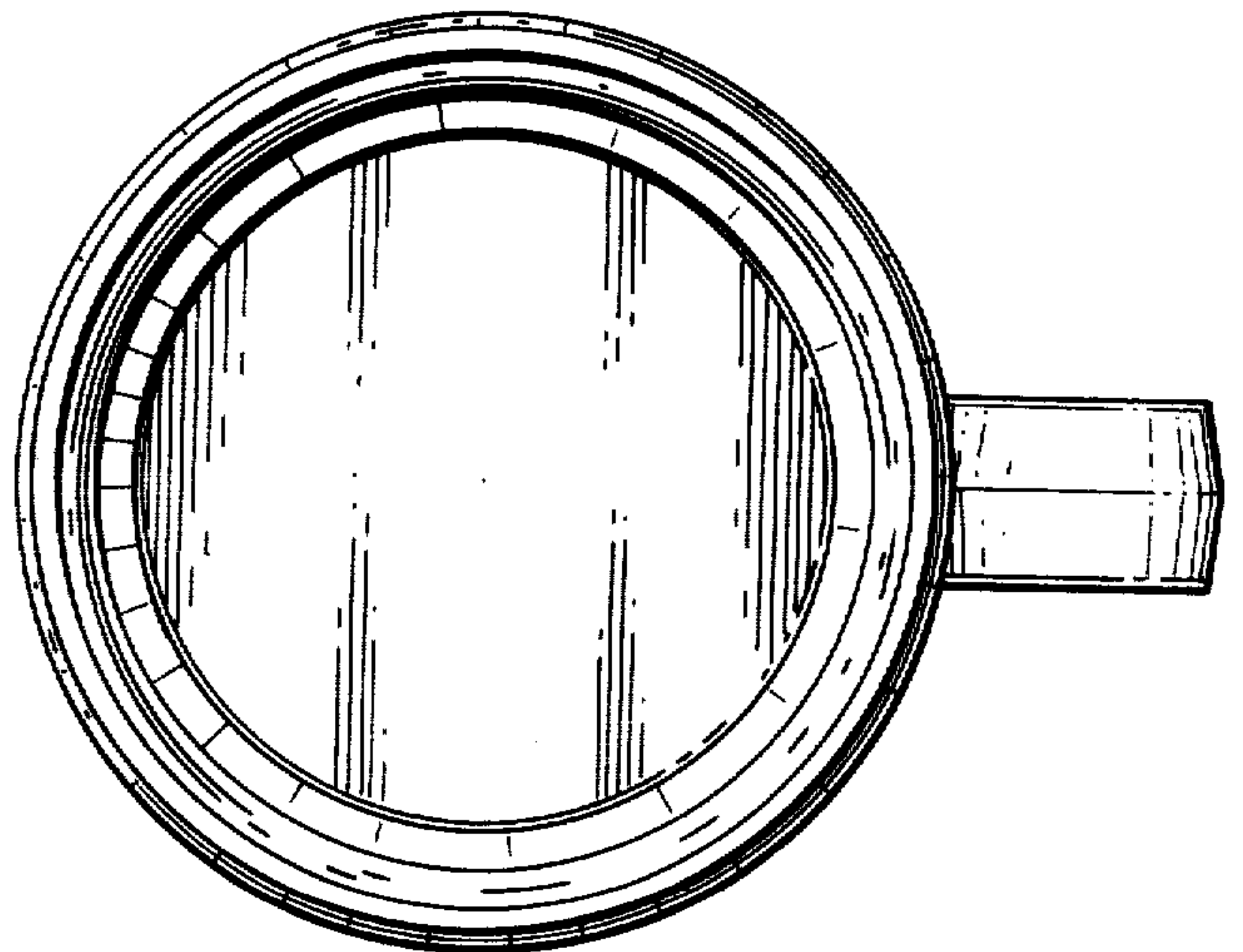


FIG. 4

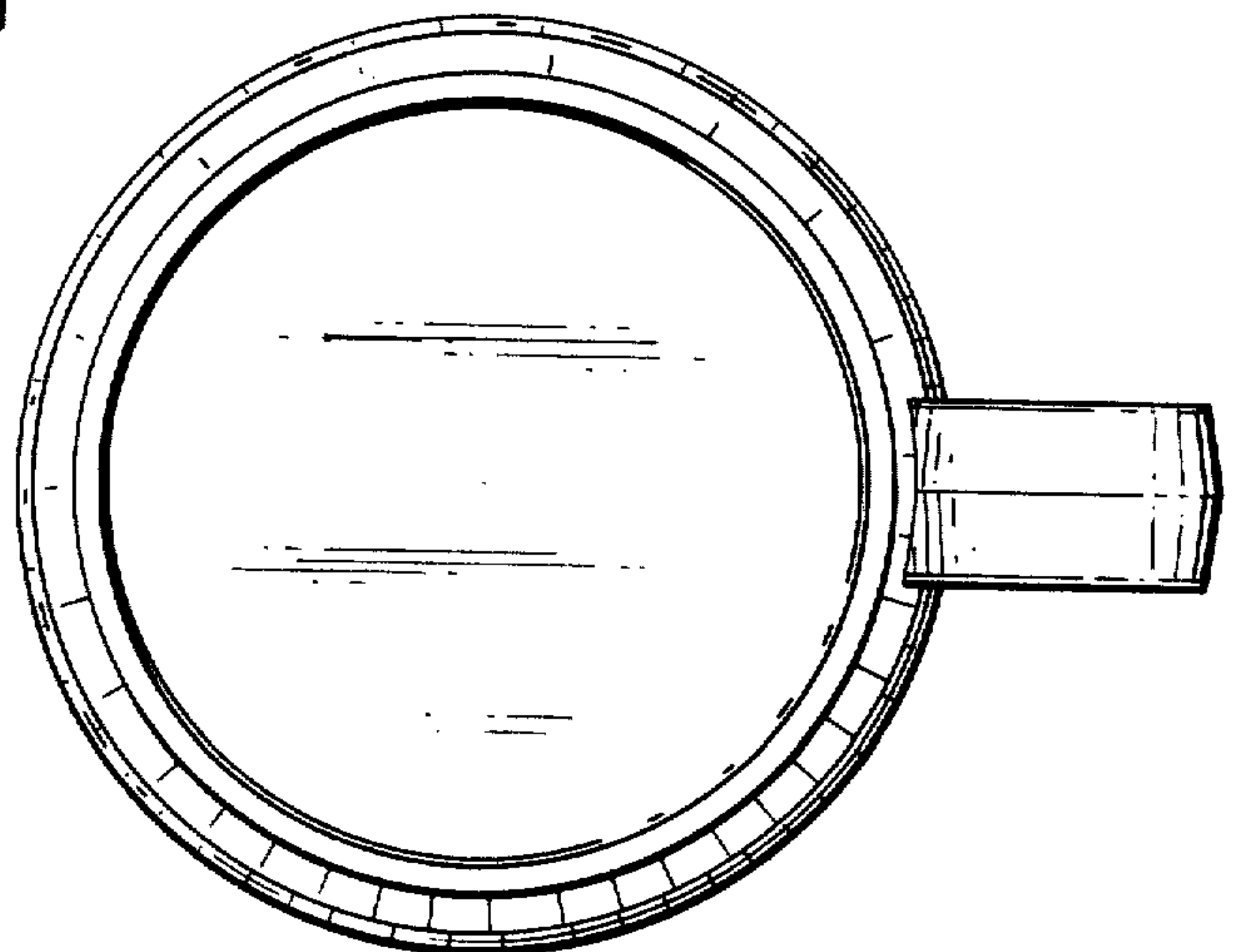


FIG. 5