

[54] COMBINED HOLDER FOR TOOTHBRUSHES, DRINKING GLASSES OR THE LIKE

[75] Inventor: Oskar R. Lohman, Nacka, Sweden

[73] Assignee: AB Trama, Nacka, Sweden

[**] Term: 14 Years

[21] Appl. No.: 130,040

[22] Filed: Mar. 13, 1980

[30] Foreign Application Priority Data

Sep. 13, 1979 [SE] Sweden 79-2023
Oct. 16, 1979 [SE] Sweden 79-2525

[51] Int. Cl. D23-02

[52] U.S. Cl. D6/92; D6/86;
D6/93; D6/94

[58] Field of Search D6/86-104,
D6/114, 115, 125; 211/13, 74, 76, 87, 88;
248/309 R, 311.2, 312, 312.1, 316 R

[56] References Cited

U.S. PATENT DOCUMENTS

- D. 176,162 11/1955 Steece D6/91
- D. 206,232 11/1966 Magnuson D6/122
- D. 219,599 12/1970 Rams et al. D6/91
- D. 232,790 9/1974 Kalnins D6/91
- D. 257,458 10/1980 Benoit D6/91

OTHER PUBLICATIONS

Design; Apr. 1976; p. 33; Clipstor Storage System.

Primary Examiner—B. J. Bullock

Attorney, Agent, or Firm—Young & Thompson

[57] CLAIM

The ornamental design for a combined holder for toothbrushes, drinking glasses or the like, as shown and described.

DESCRIPTION

FIG. 1 is a front perspective view of a combined holder for toothbrushes, drinking glasses or the like, showing my new design;

FIG. 2 is a rear perspective view thereof;

FIG. 3 is a reduced front perspective view of the structure to the left of FIG. 1, shown separately for clarity of illustration; and

FIG. 4 is a reduced rear perspective view of FIG. 3.

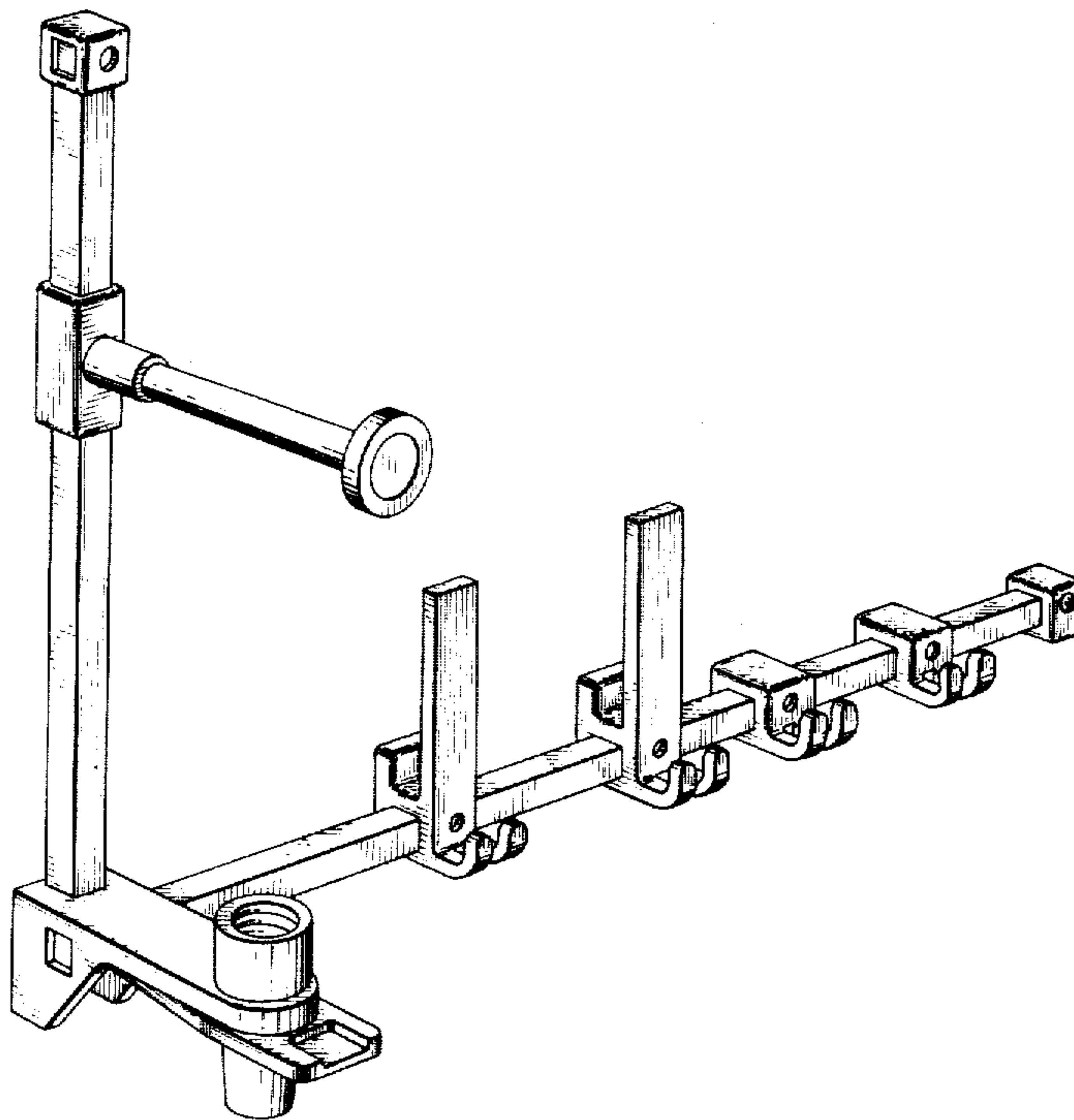


FIG. 3

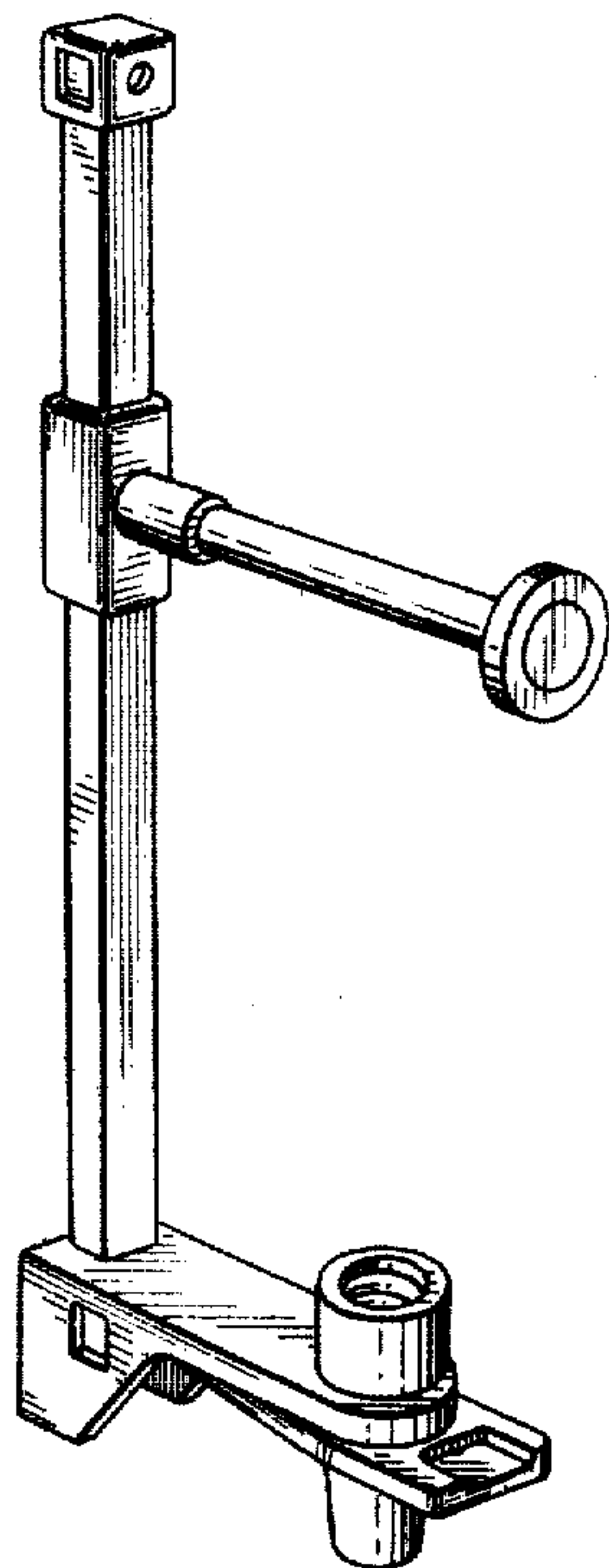


FIG. 4

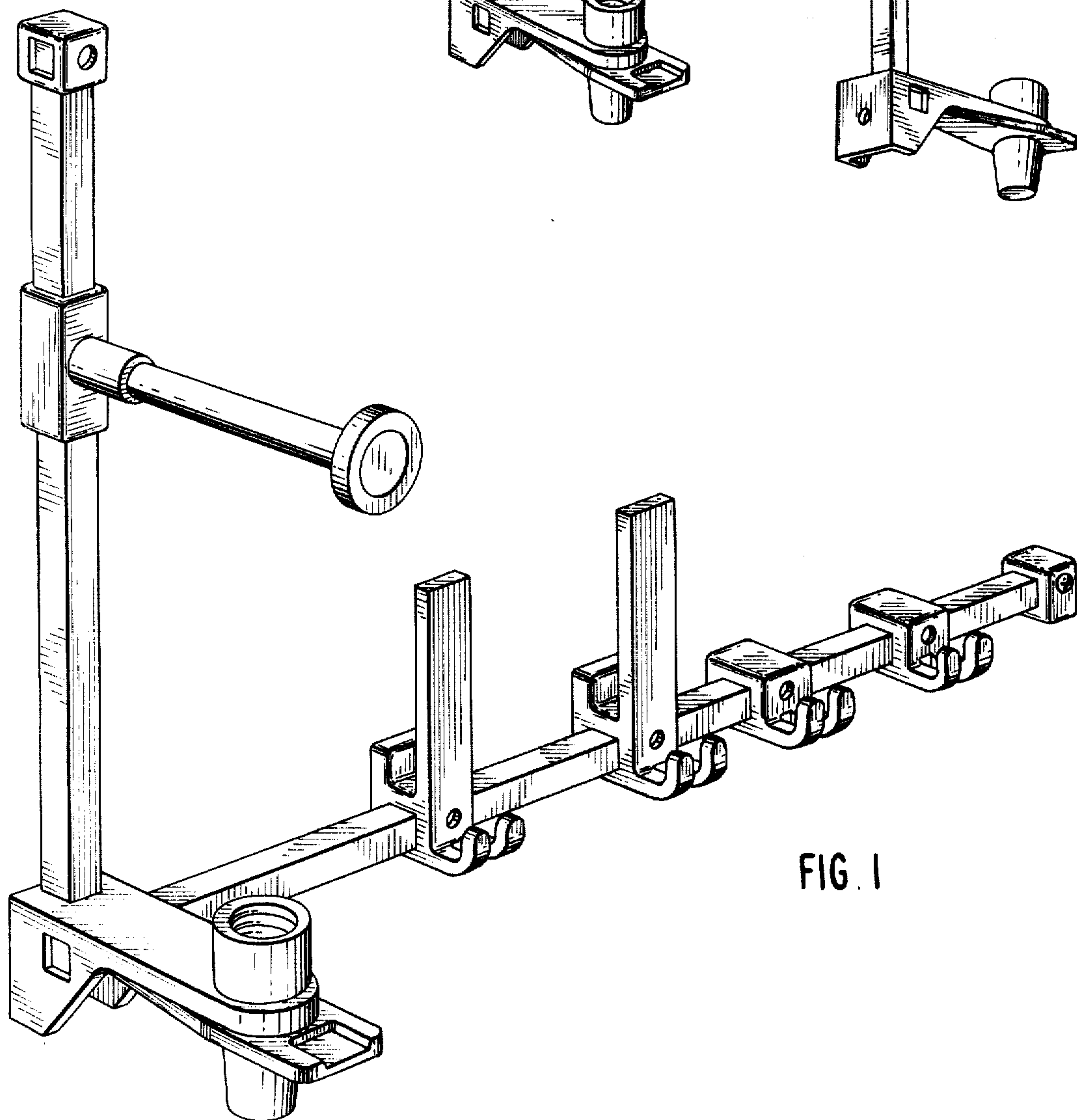
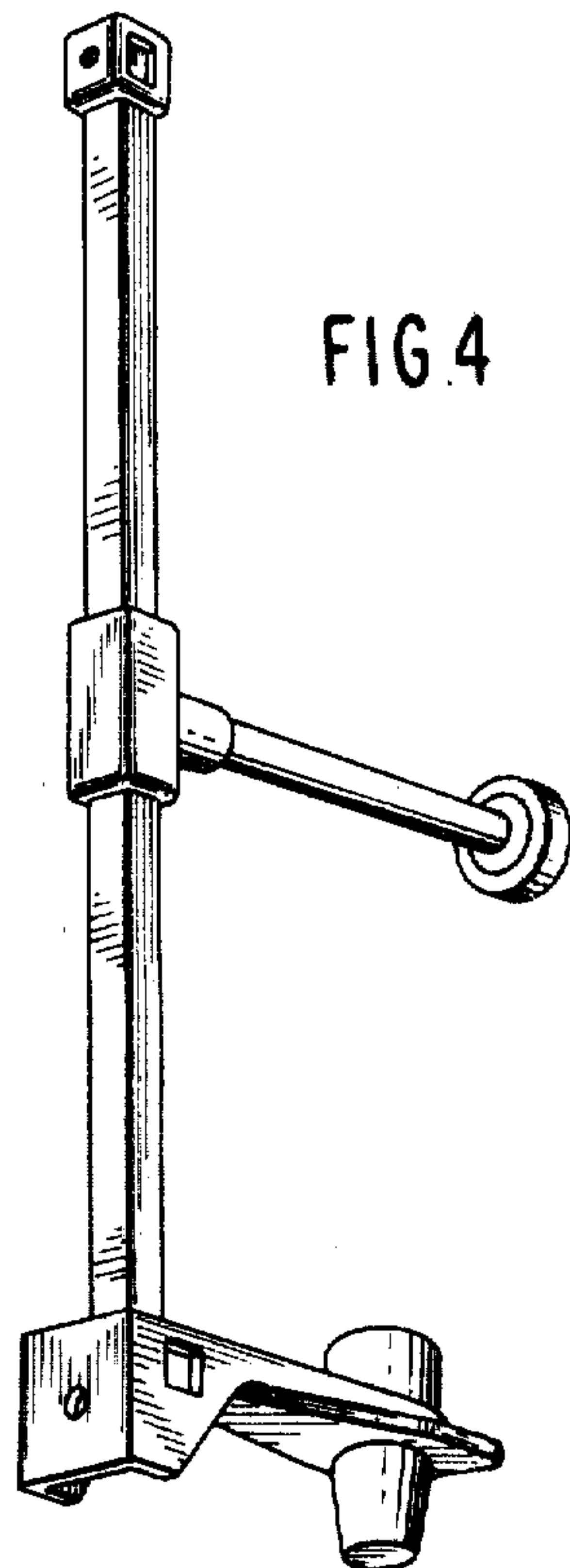


FIG. 1

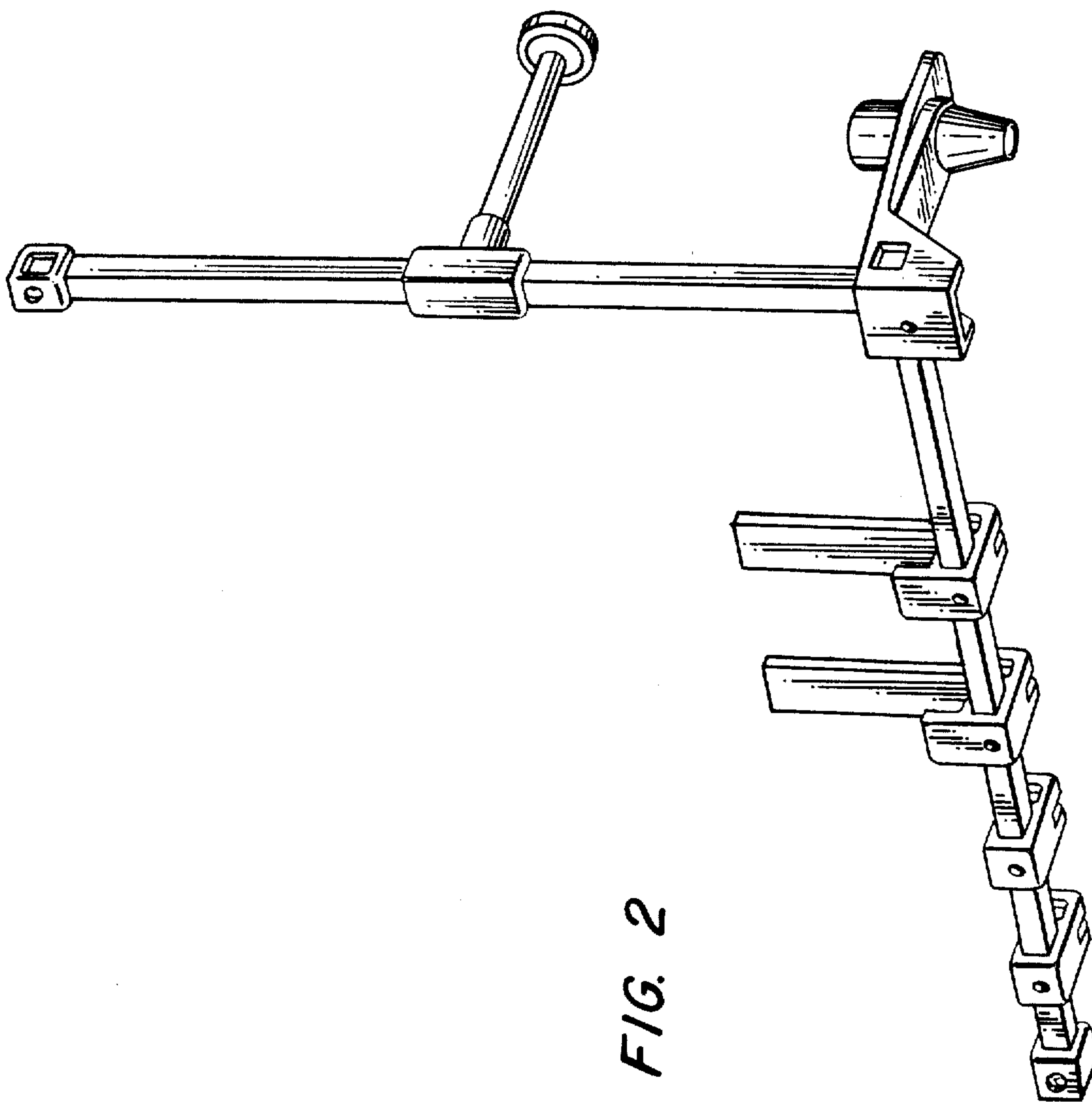


FIG. 2