

[54] INTERLOCKING CURB PANEL FOR ANIMAL CONFINEMENT PENS

[76] Inventor: Richard E. Bunger, 5202 E. Washington St., Phoenix, Ariz. 85034

[**] Term: 14 Years

[21] Appl. No.: 362,070

[22] Filed: Mar. 26, 1982

[51] Int. Cl. D30-02

[52] U.S. Cl. D30/2

[58] Field of Search D30/1, 2, 99; 119/28

[56] References Cited

U.S. PATENT DOCUMENTS

D. 26,443	12/1896	Fiske	D30/2
D. 253,250	10/1979	Limmergard et al.	D25/92
D. 259,366	5/1981	Bunger	D30/2
D. 261,183	10/1981	Bunger	D30/2
458,788	9/1891	Jungbluth	119/28
469,044	2/1892	Jungbluth	119/28

3,224,414	12/1965	Conover	119/28
3,228,376	1/1966	Conover	119/28
3,859,962	1/1975	Kissinger, Jr.	119/28
3,982,499	9/1976	Frankl	119/28
4,048,960	9/1977	Barnidge et al.	119/28

Primary Examiner—James R. Largen
Attorney, Agent, or Firm—Warren F. B. Lindsley

[57] CLAIM

The ornamental design for an interlocking curb panel for animal confinement pens, as shown and described.

DESCRIPTION

FIG. 1 is a front elevational view of an interlocking curb panel for animal confinement pens showing my new design, the rear being a mirror image of the front shown;

FIG. 2 is a fragmentary perspective view taken from the top, front and left side thereof;

FIG. 3 is a right side elevational view thereof; and

FIG. 4 is a bottom plan view thereof.

The interlocking fence row curb panel has been broken away in FIGS. 2 through 4 to indicate indeterminate length.

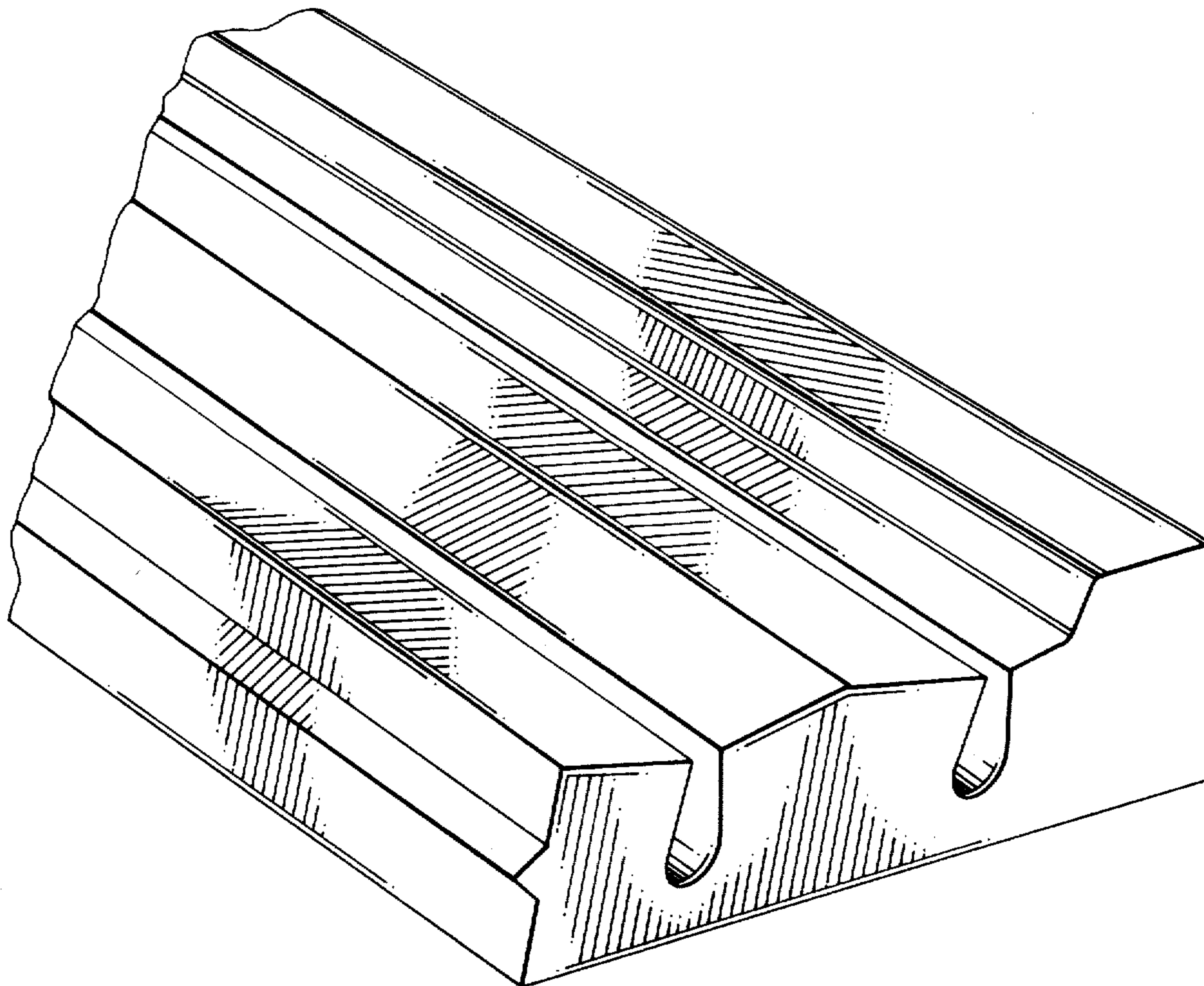


FIG. 1

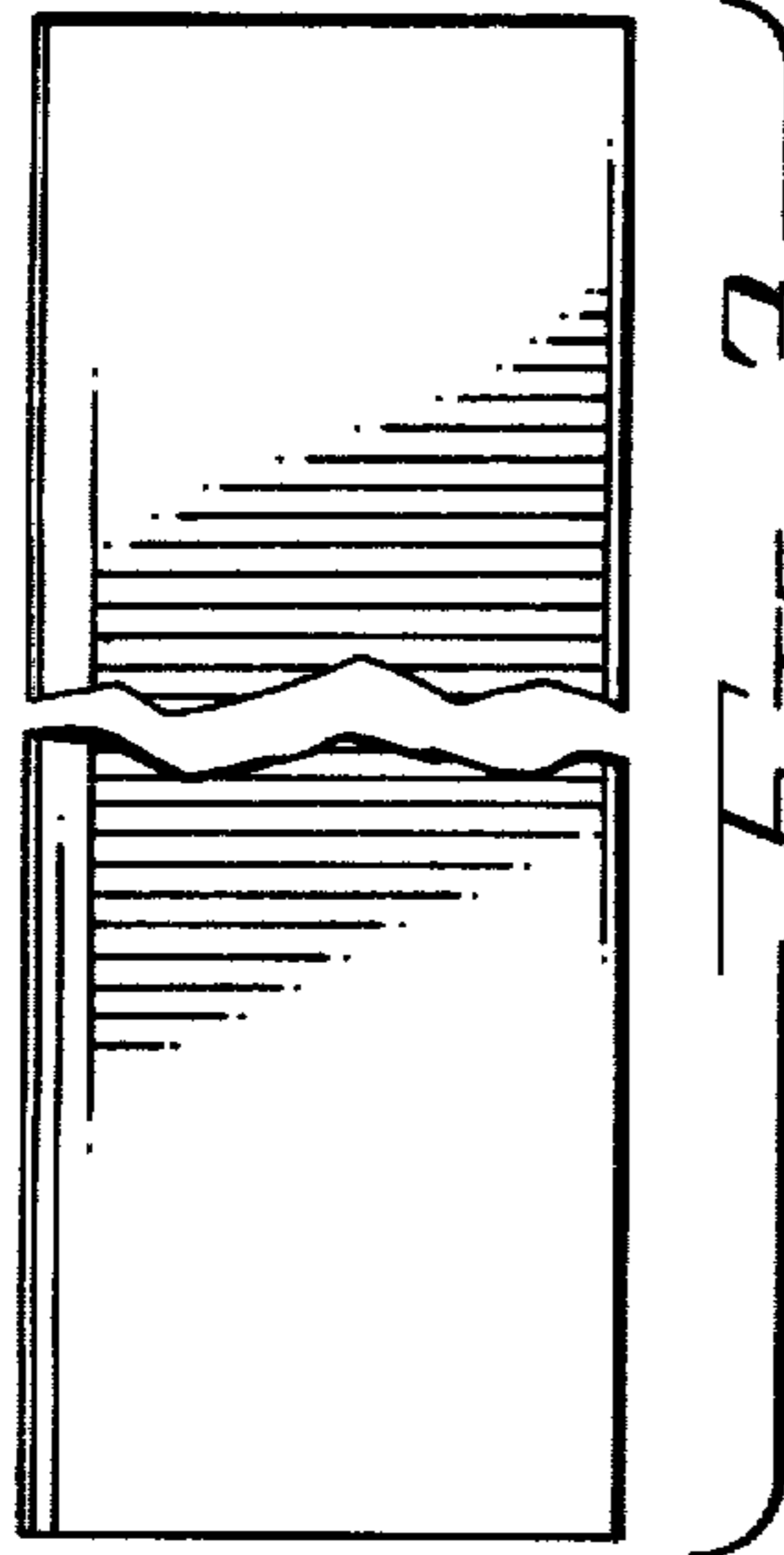
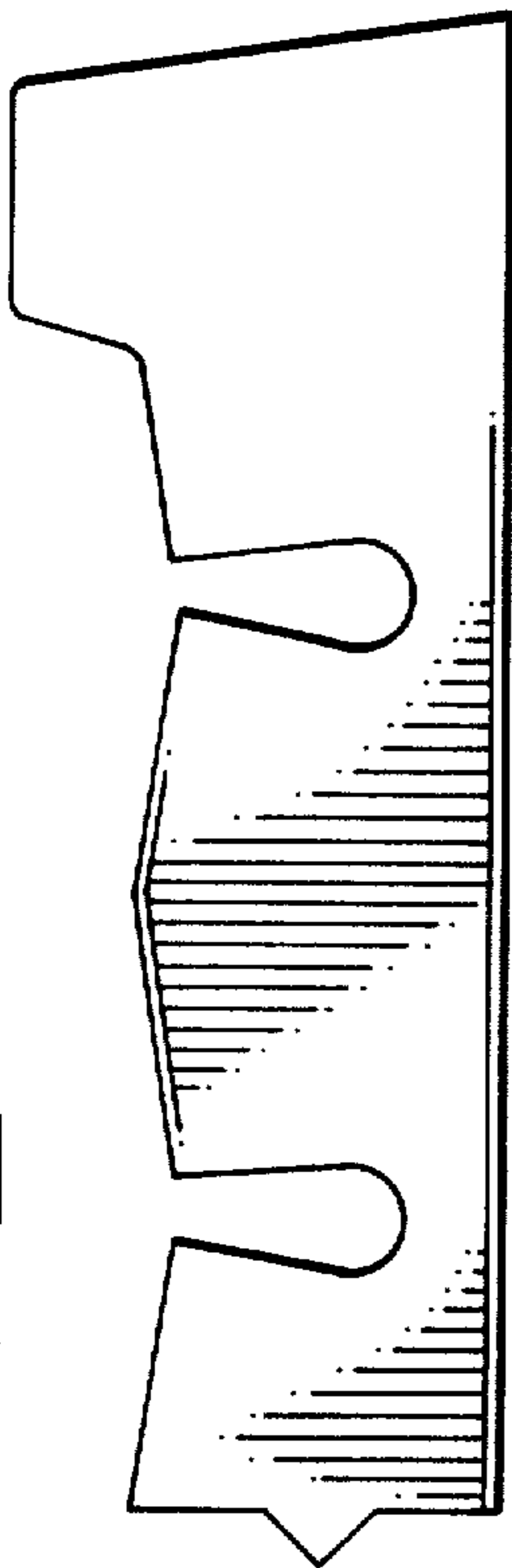


FIG. 3

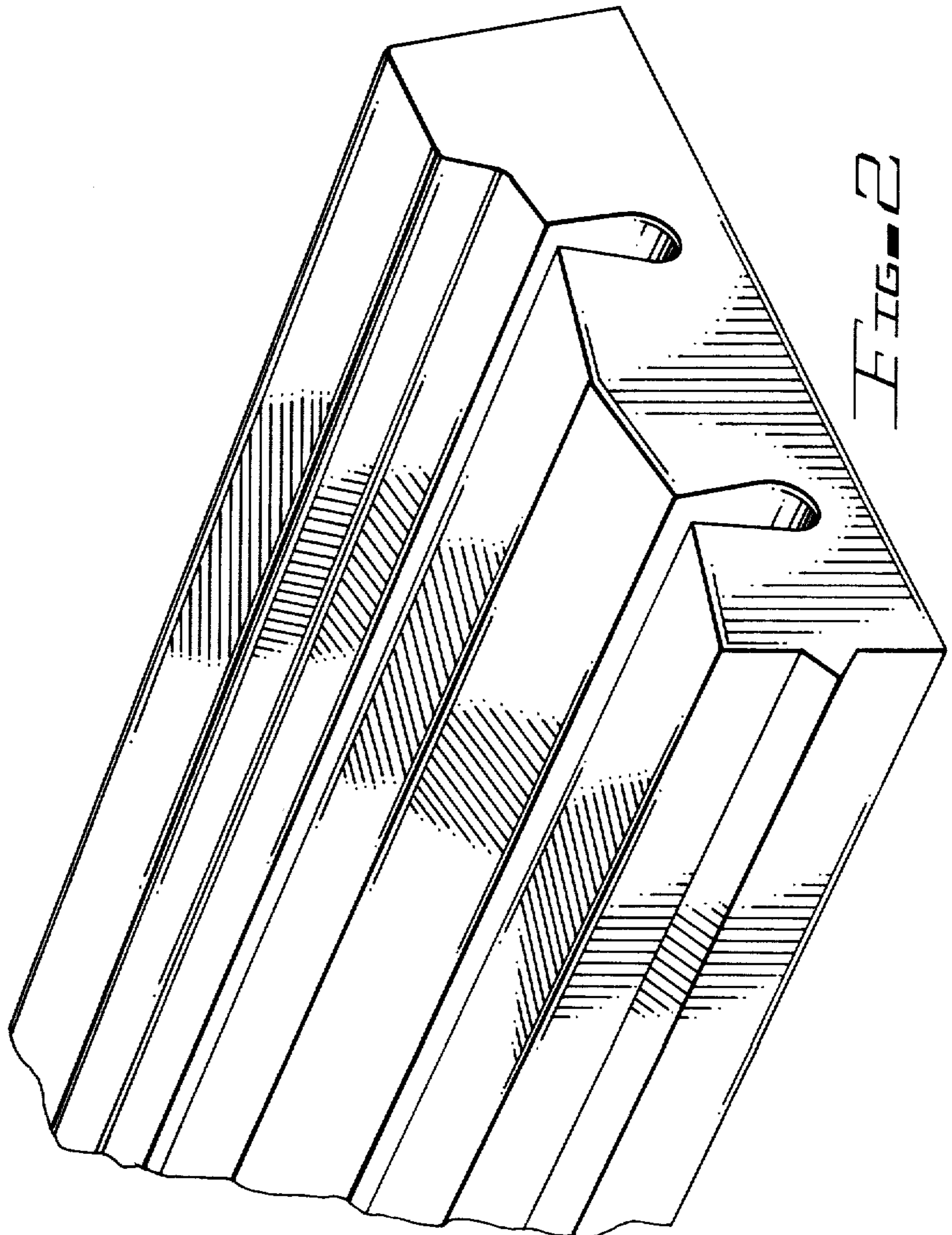


FIG. 2

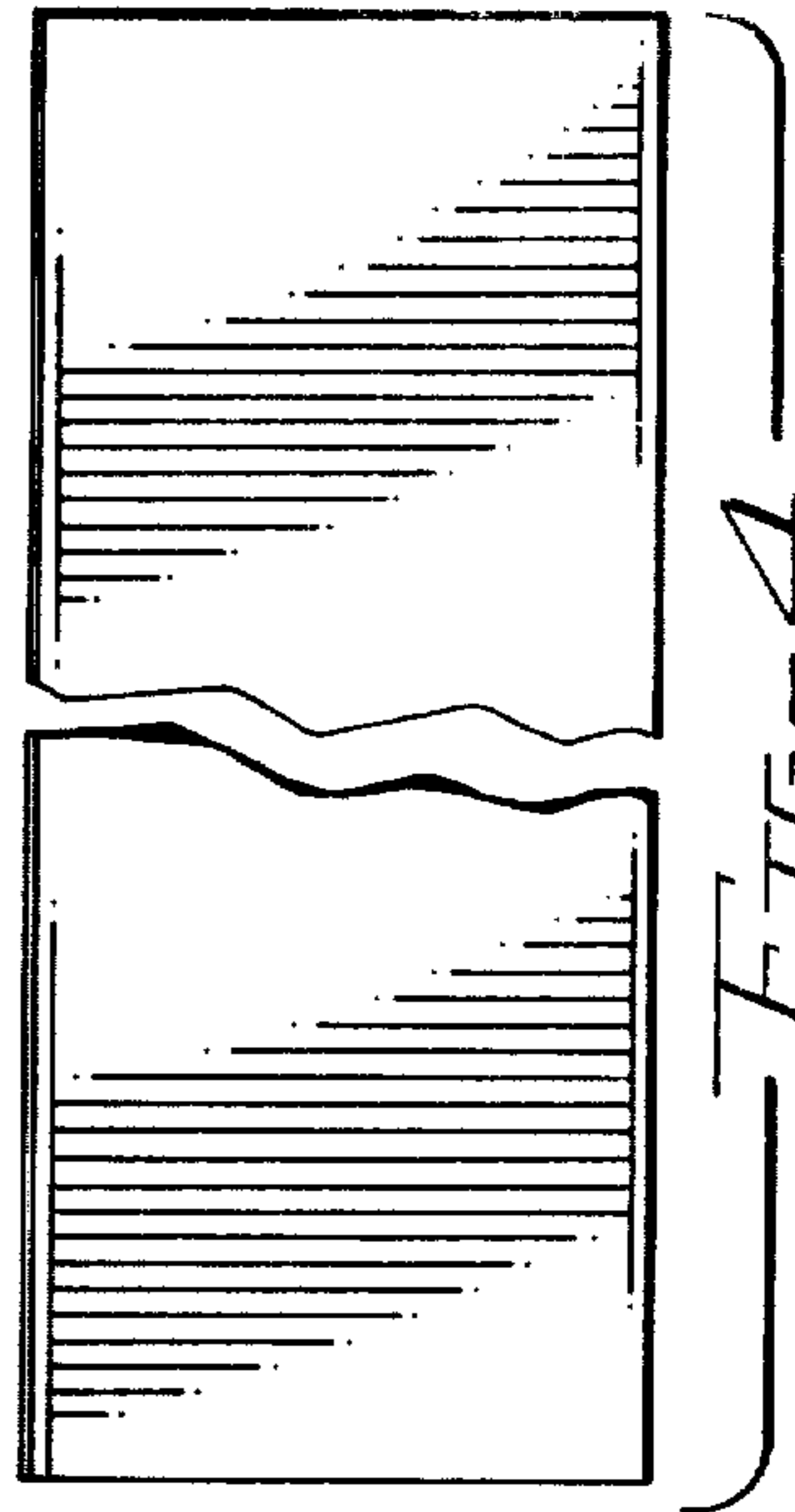


FIG. 4