

[54] SOAP BAR

[76] Inventor: Bryce T. Christianson, 925 - 32nd St.,
Des Moines, Iowa 50265

[**] Term: 14 Years

[21] Appl. No.: 228,254

[22] Filed: Jan. 26, 1981

[51] Int. Cl. D28-02

[52] U.S. Cl. D28/8.1

[58] Field of Search D28/8.1, 8.2;
252/DIG. 16, 90, 92, 134, 174

[56] References Cited

U.S. PATENT DOCUMENTS

- | | | | |
|------------|--------|---------------------|---------|
| D. 192,834 | 5/1962 | Clawson et al. | D28/8.1 |
| D. 201,110 | 5/1965 | Horne | D28/8.1 |
| D. 260,301 | 8/1981 | O'Connor | D28/8.1 |

2,613,185 10/1952 Marshall D28/8.1 X

OTHER PUBLICATIONS

Blair Co. Catalog No. 766 of 1969, Lynchburg, Va., p.
24, Soap Bars "C" at bottom left.

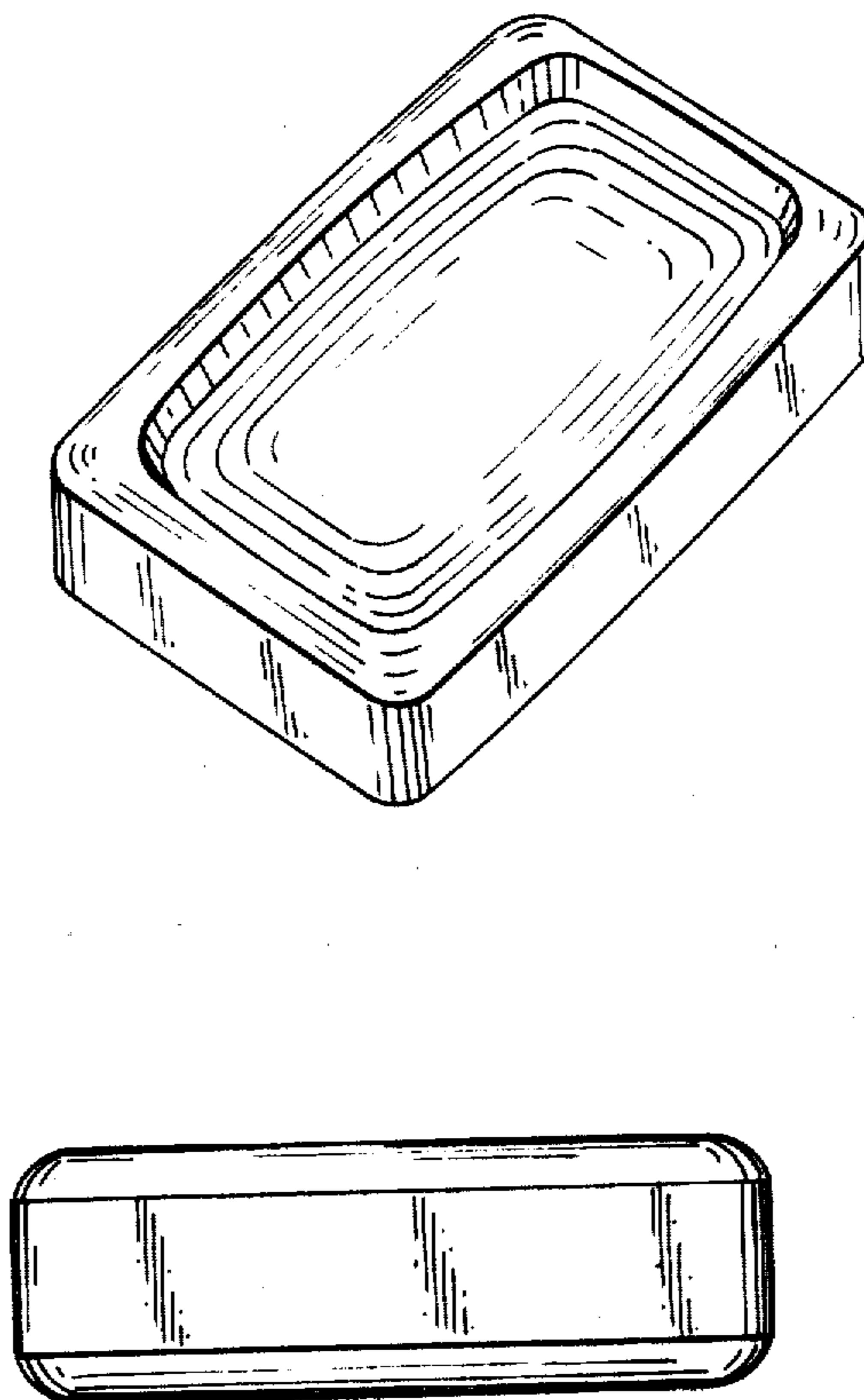
Primary Examiner—Louis S. Zarfes
Attorney, Agent, or Firm—Zarley, McKee, Thomte,
Voorhees & Sease

[57] CLAIM

The ornamental design of a soap bar, substantially as
shown.

DESCRIPTION

FIG. 1 is a perspective view of a soap bar showing my
new design;
FIG. 2 is a top plan view thereof;
FIG. 3 is a side elevational view thereof;
FIG. 4 is an end elevational view thereof; and
FIG. 5 is a bottom plan view thereof.



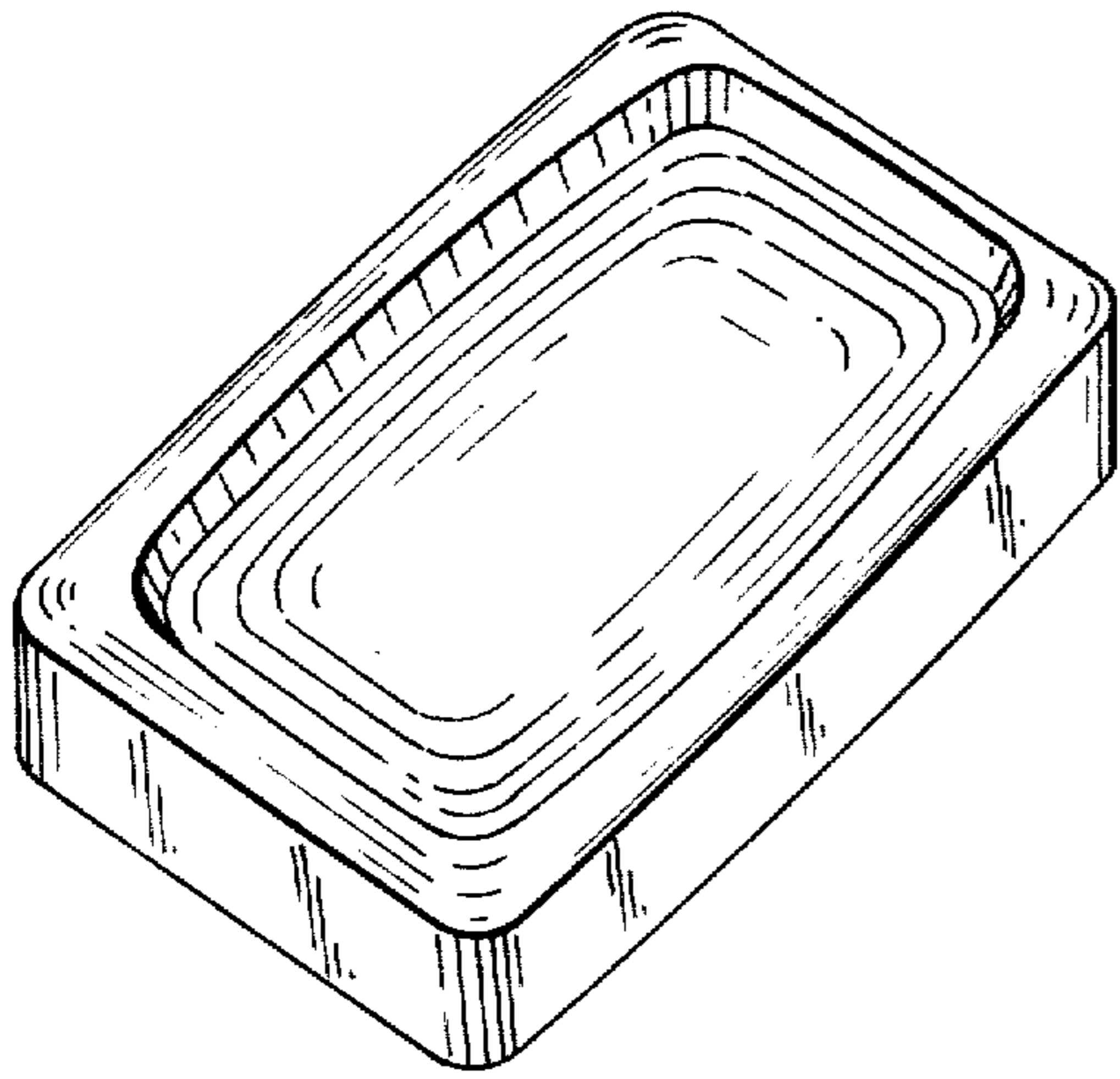


Fig. 1

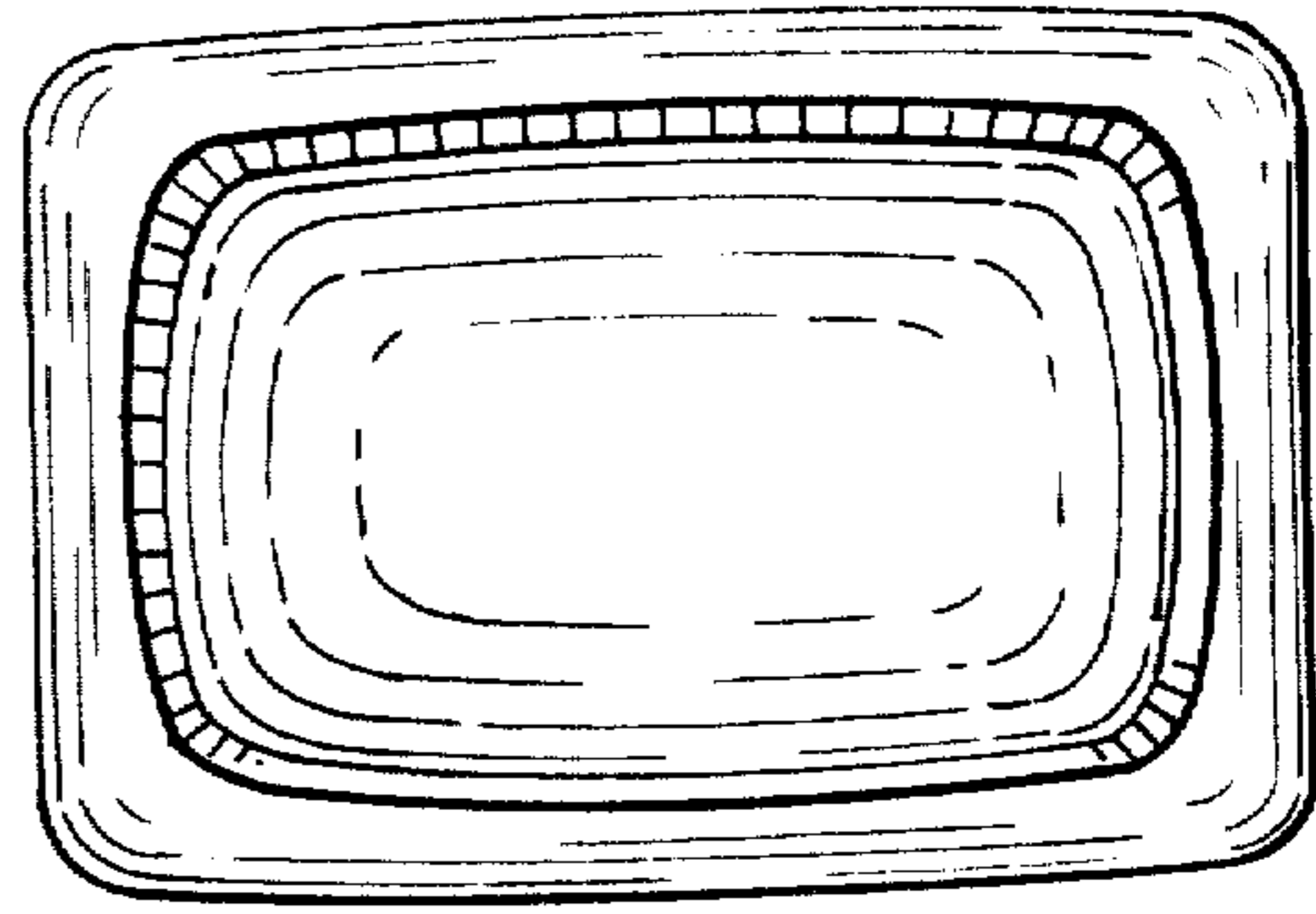


Fig. 2

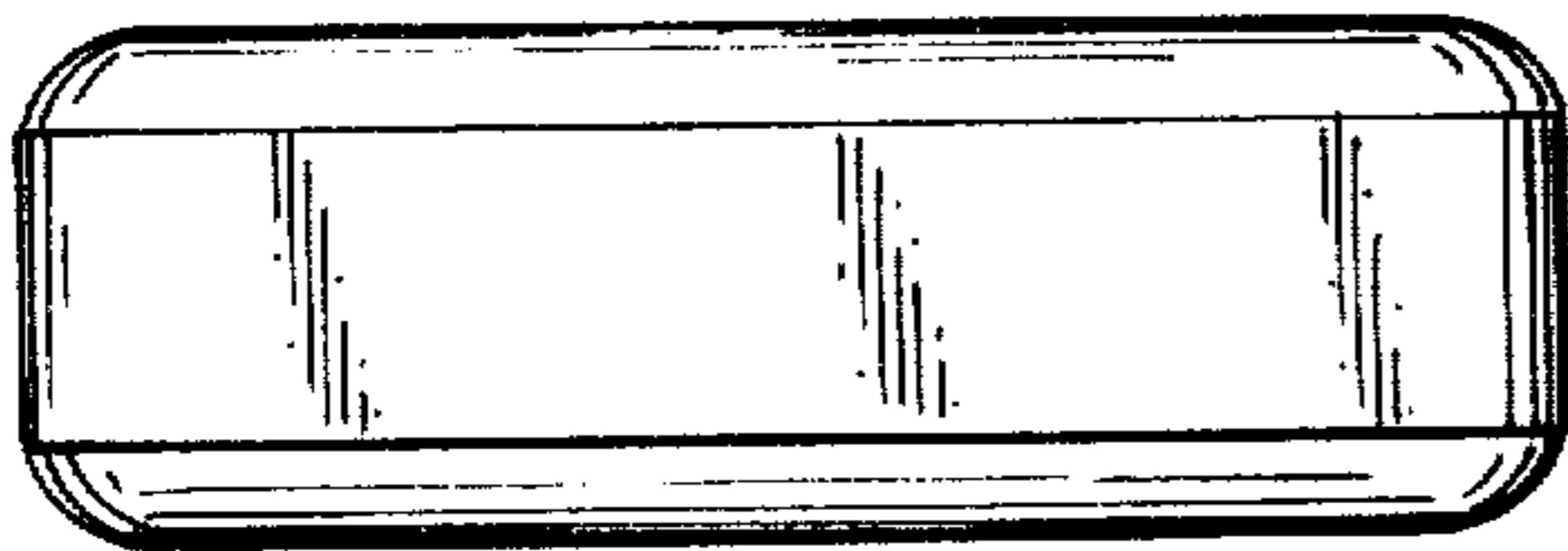


Fig. 3

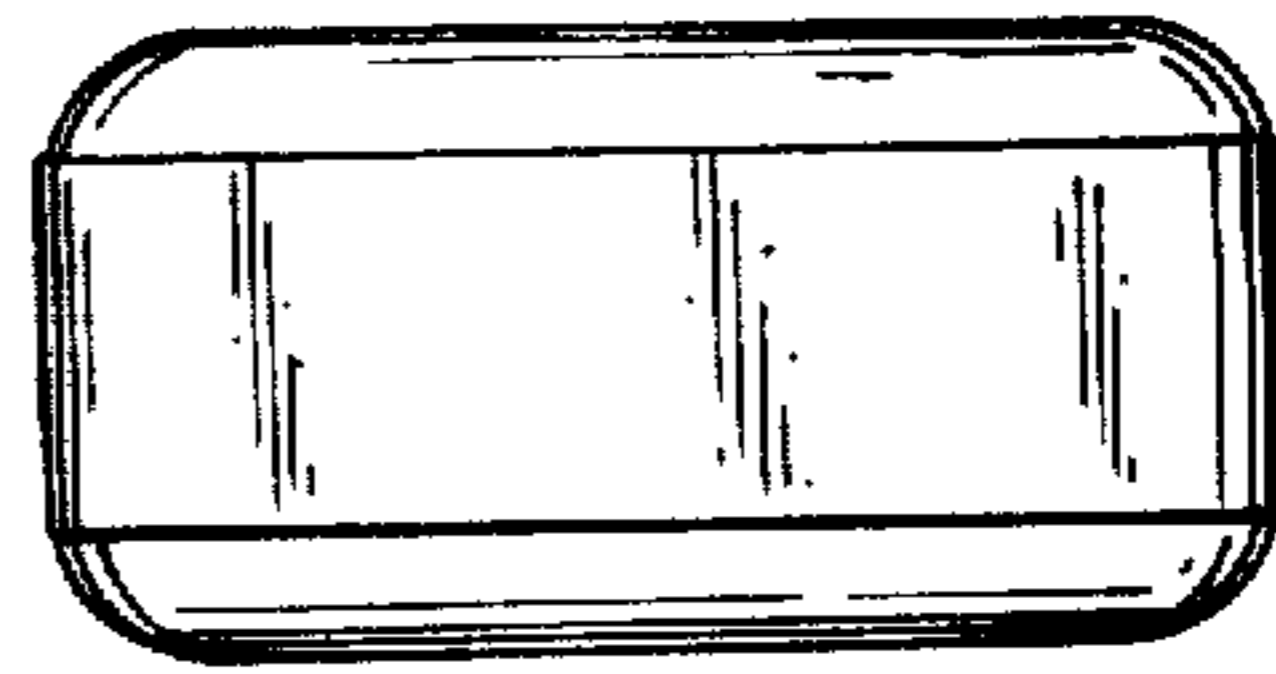


Fig. 4

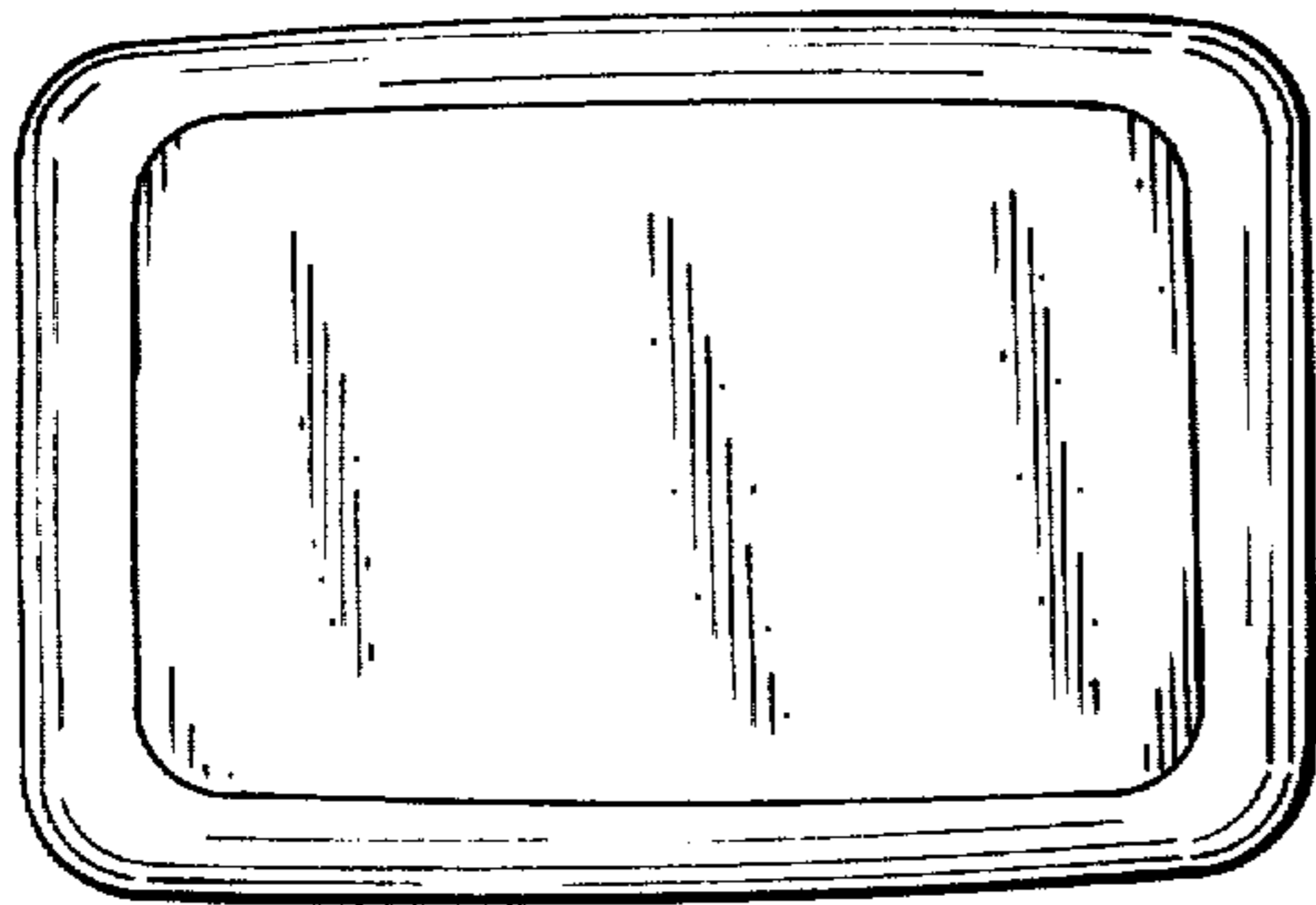


Fig. 5