

[54] HEAD MOUNTED FLASHLIGHT

[75] Inventors: **Juan F. Mora**, Irvine; **Ronald F. Hellenthal**, Torrance, both of Calif.

[73] Assignee: **Pan-American Industries, Inc.**, Irvine, Calif.

[\*\*] Term: **14 Years**

[21] Appl. No.: **265,792**

[22] Filed: **May 21, 1981**

[51] Int. Cl. .... **D26-02**  
[52] U.S. Cl. .... **D26/39**  
[58] Field of Search ..... **D26/37, 39; 362/103, 362/105**

[56] **References Cited**

**U.S. PATENT DOCUMENTS**

D. 212,119 8/1968 **Castellano** ..... **D26/39**  
2,289,488 7/1942 **Draitsas** ..... **D26/37**

**FOREIGN PATENT DOCUMENTS**

191020 7/1951 Austria ..... 362/105

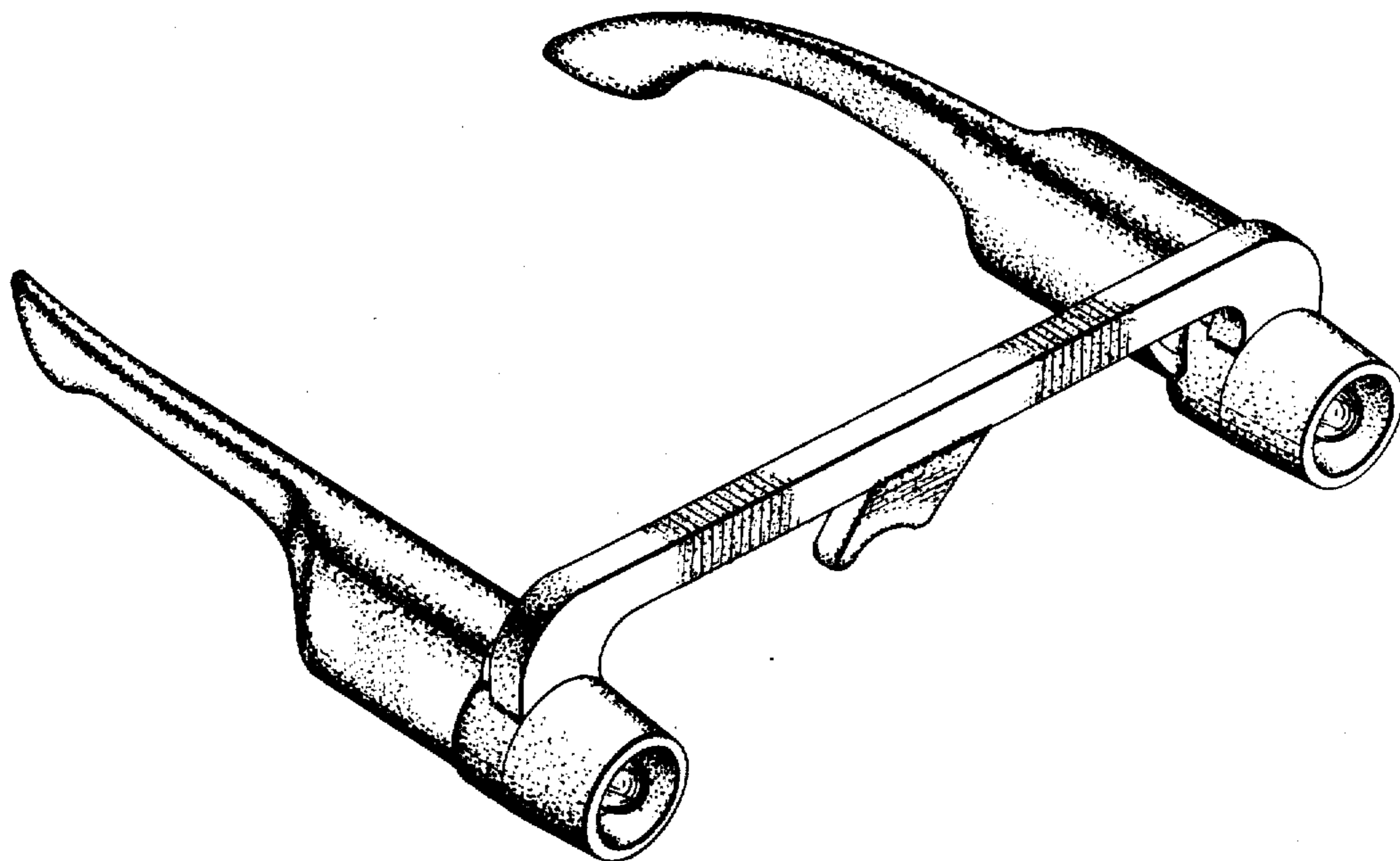
*Primary Examiner*—Susan J. Lucas  
*Attorney, Agent, or Firm*—Philip M. Hinderstein

[57] **CLAIM**

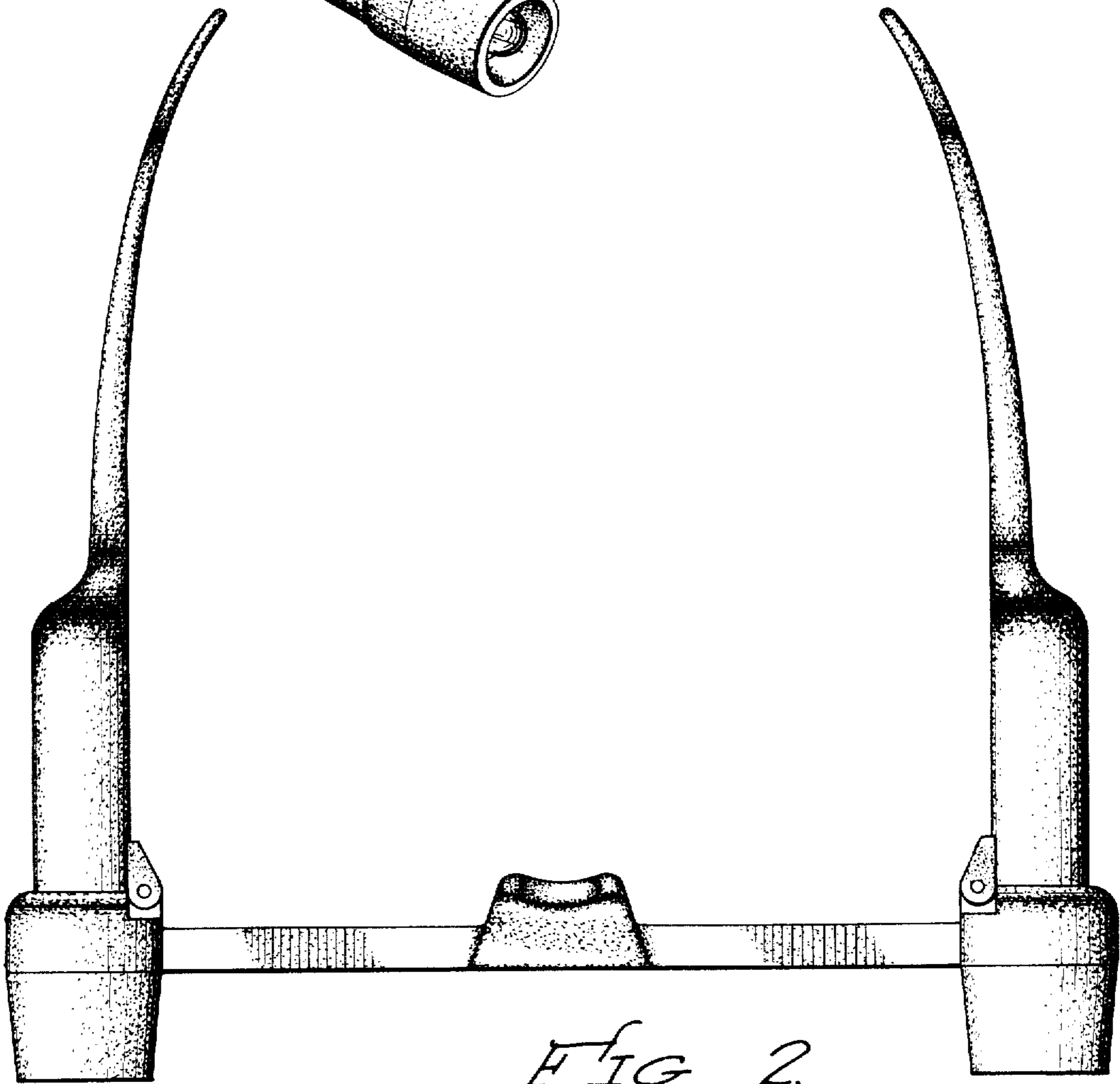
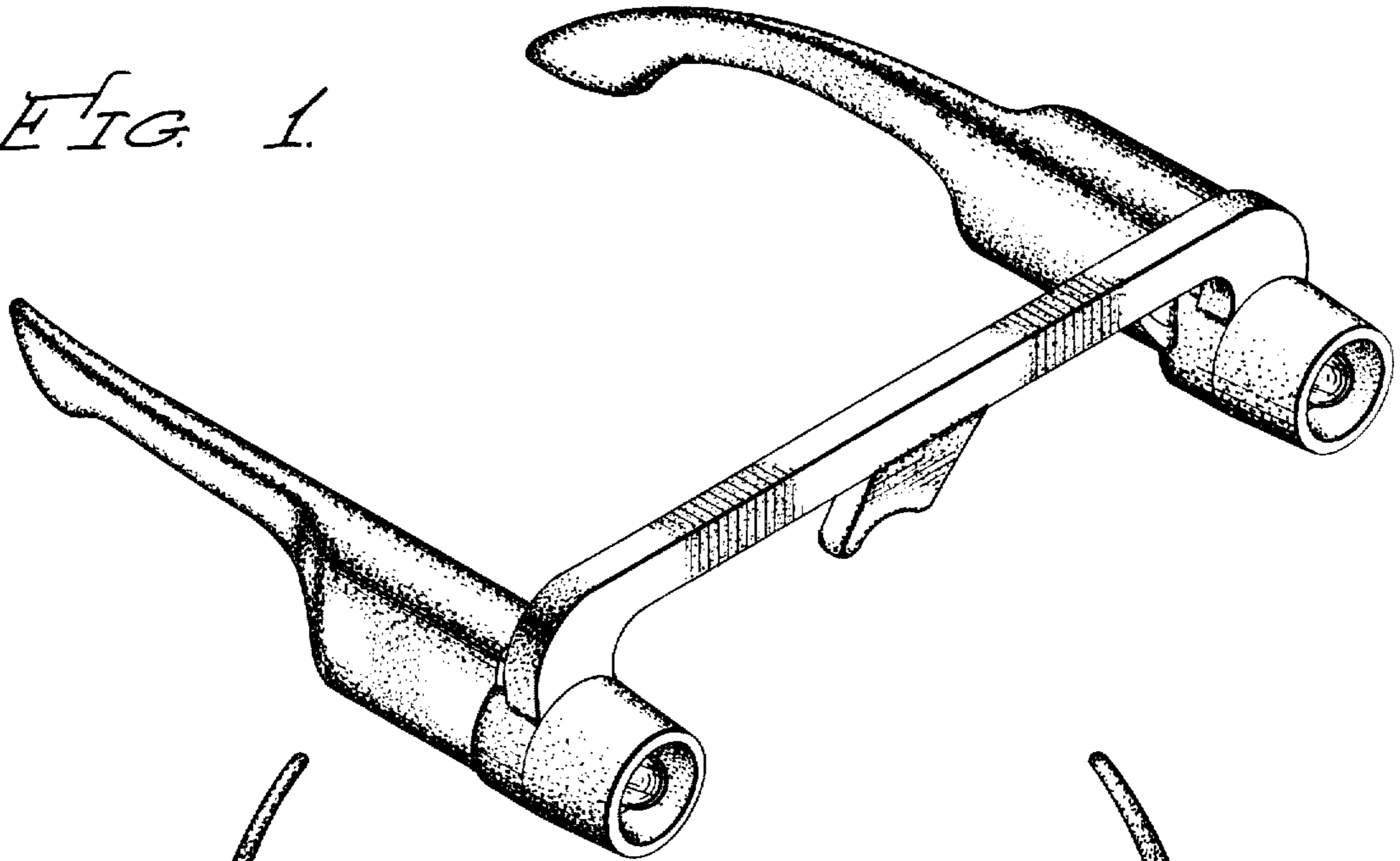
The ornamental design for head mounted flashlight, as shown and described.

**DESCRIPTION**

FIG. 1 is a front, top and left side perspective view of head mounted flashlight showing our new design; FIG. 2 is a bottom plan view thereof on an enlarged scale; FIG. 3 is a rear elevational view thereof on an enlarged scale; FIG. 4 is a sectional view thereof on an enlarged scale taken along the line 4-4 in FIG. 3; FIG. 5 is a right side elevational view thereof on an enlarged scale; and FIG. 6 is a top plan view thereof on an enlarged scale with the side pieces shown in their folded condition.



*FIG. 1.*



*FIG. 2.*

FIG. 3

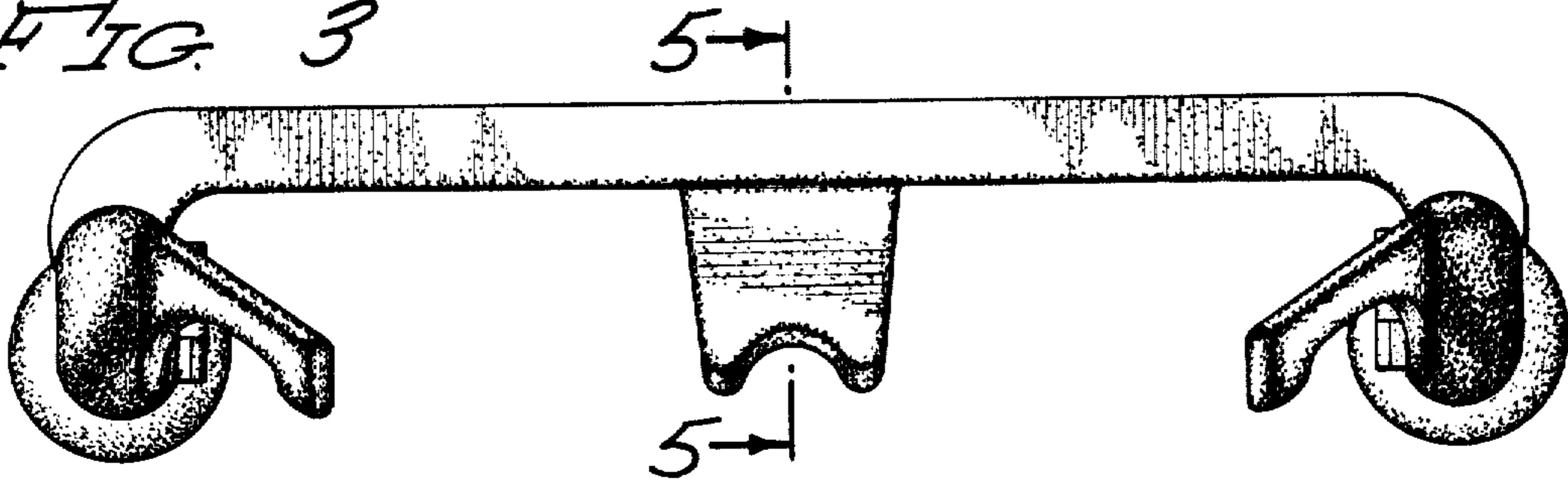


FIG. 4.

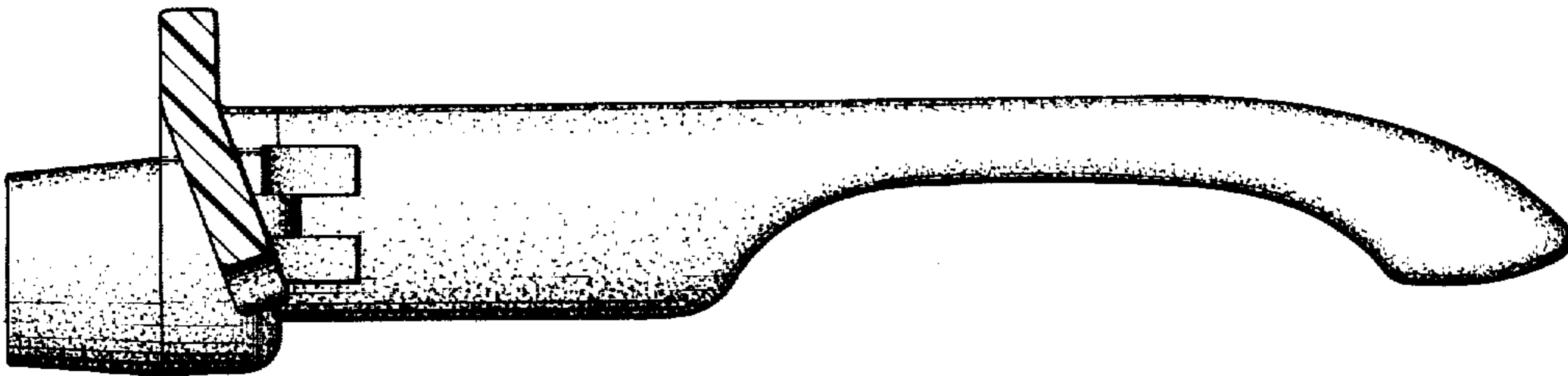
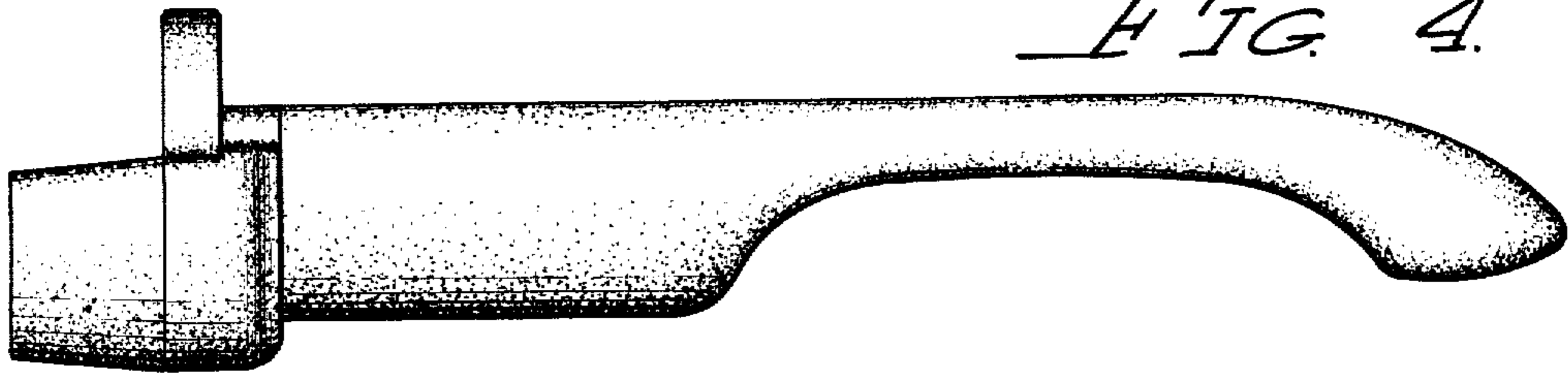


FIG. 5.

FIG. 6.

