

[54] RESPIRATORY EXERCISER

[75] Inventors: Norman R. McCombs; Grace N. McCombs, both of Tonawanda, N.Y.

[73] Assignee: Greene & Kellog Inc., Tonawanda, N.Y.

[**] Term: 14 Years

[21] Appl. No.: 222,849

[22] Filed: Jan. 6, 1981

[51] Int. Cl. D24-02
[52] U.S. Cl. D24/17; 128/728; 272/99

[58] Field of Search 128/728, 720, 727, 725, 128/730; 272/99; D24/17

[56] References Cited

U.S. PATENT DOCUMENTS

- D. 242,956 1/1977 Miller D24/17
- D. 254,324 2/1980 Thead, Jr. D24/17

- D. 254,443 3/1980 Adams D24/17
- 4,114,608 9/1978 Russo 272/99 X
- 4,171,804 10/1979 Thead, Jr. 272/99
- 4,241,740 12/1980 Brown 272/99 X
- 4,299,236 11/1981 Poirier 128/728
- 4,301,810 11/1981 Belman 128/720
- 4,323,078 4/1982 Heimlich 128/728
- 4,327,740 5/1982 Shuman 128/728

Primary Examiner—Bernard Ansher
Attorney, Agent, or Firm—Browdy and Neimark

[57] CLAIM

The ornamental design for a respiratory exerciser, as shown and described.

DESCRIPTION

FIG. 1 is a perspective view of a respiratory exerciser embodying our new design with the hose and a user shown in phantom lines for purposes of illustration only.

FIG. 2 is a right side elevational view thereof; FIG. 3 is a front elevational view thereof; and FIG. 4 is a rear elevational view thereof.

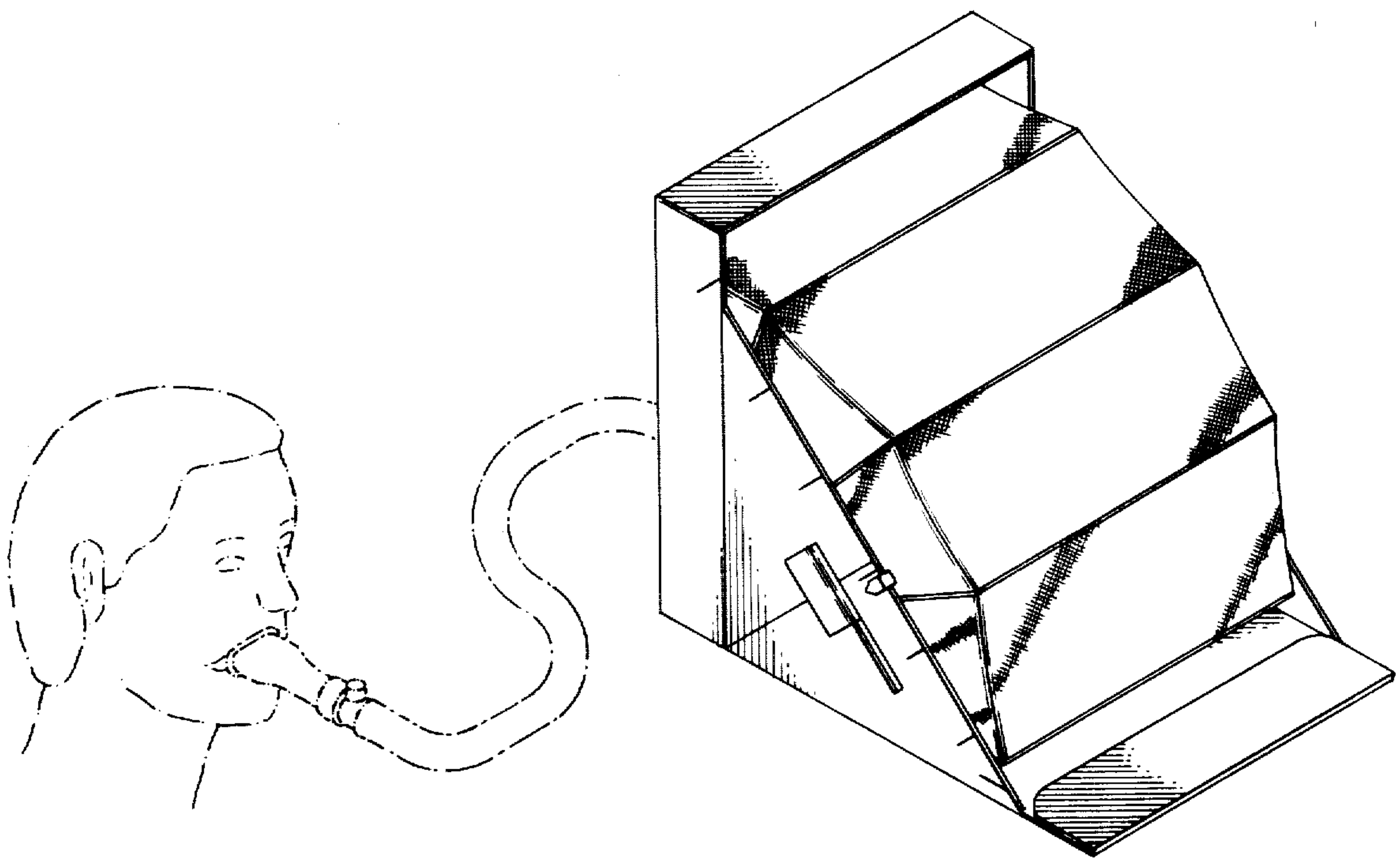


FIG. 1.

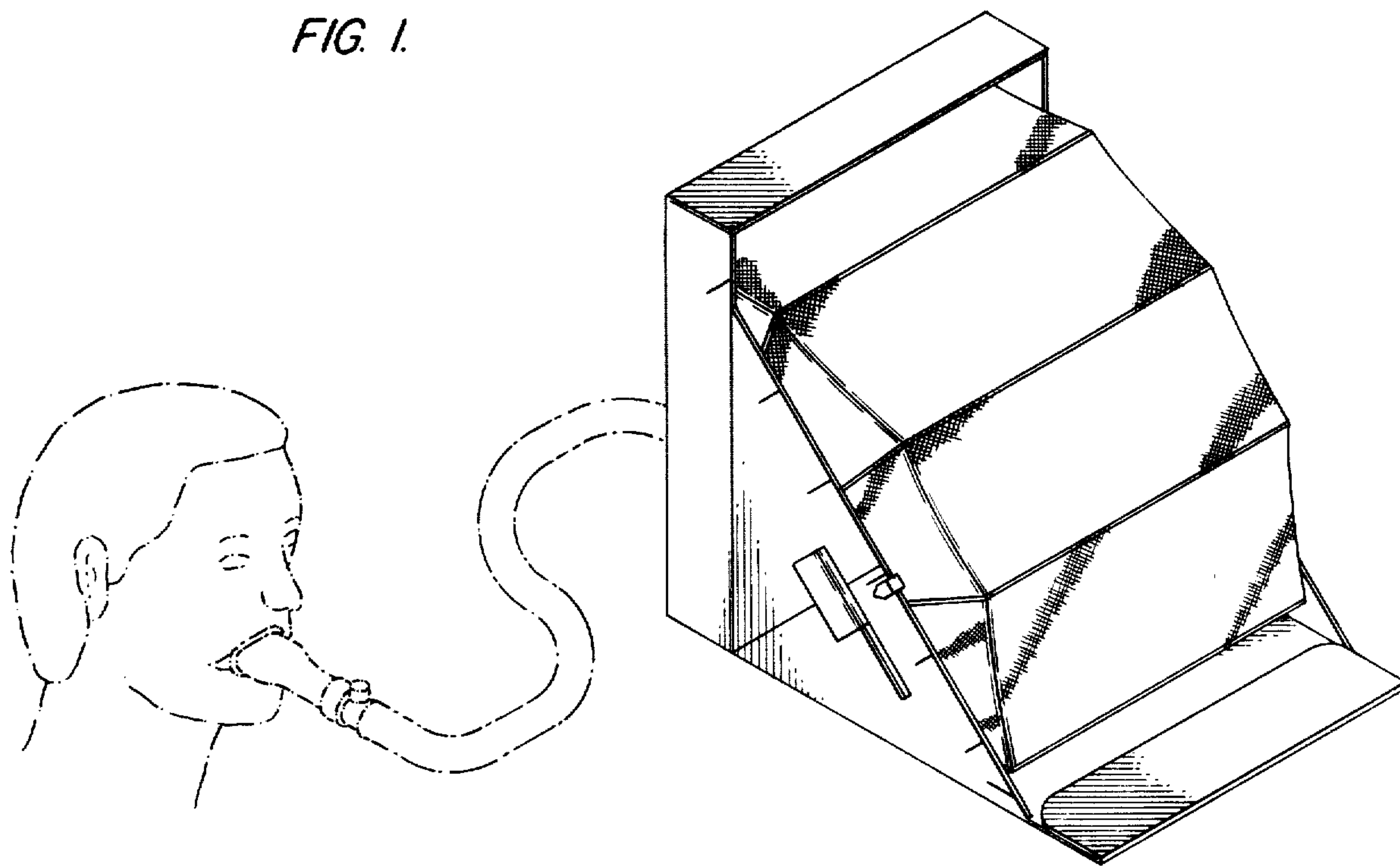


FIG. 2.

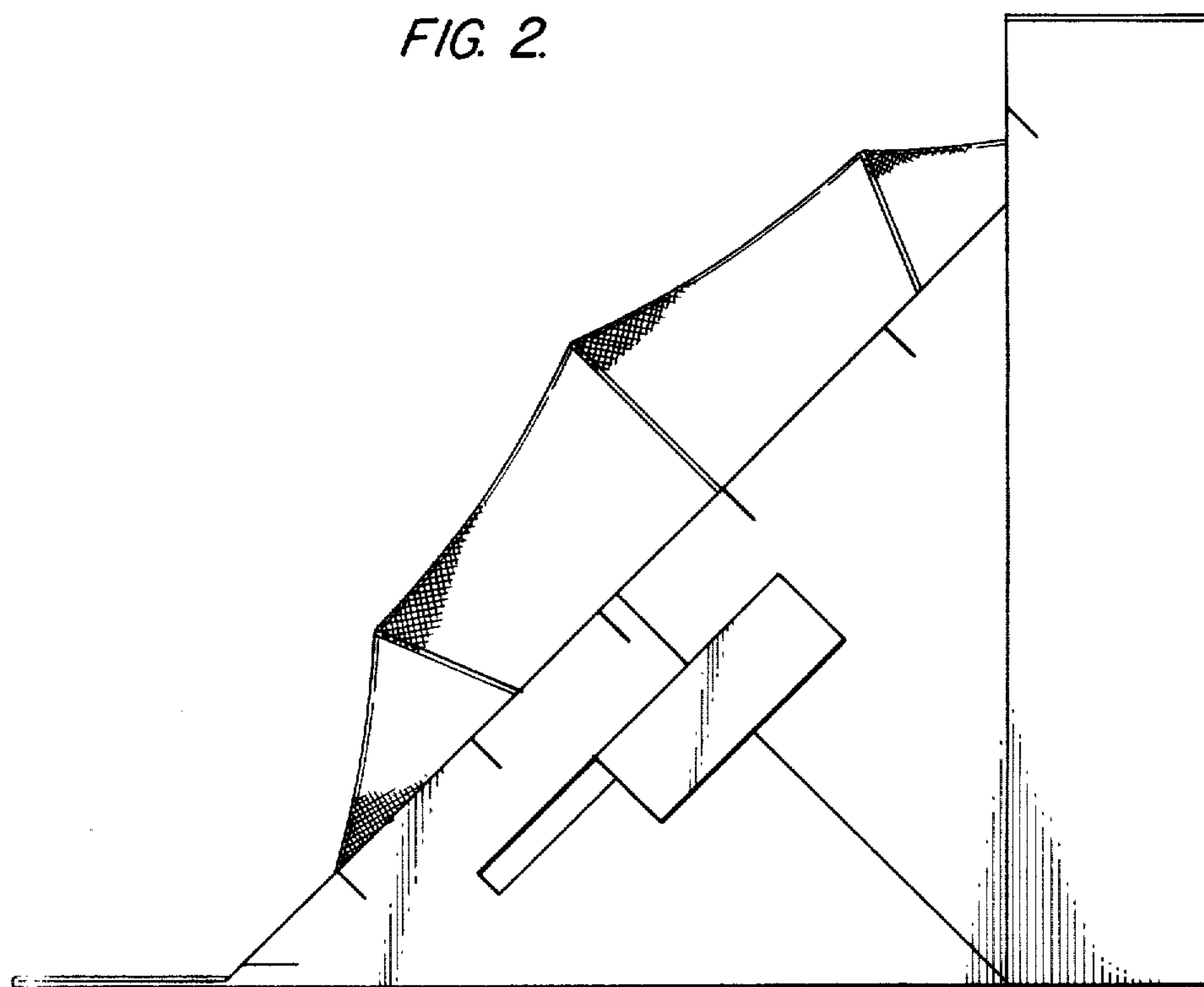


FIG. 3.

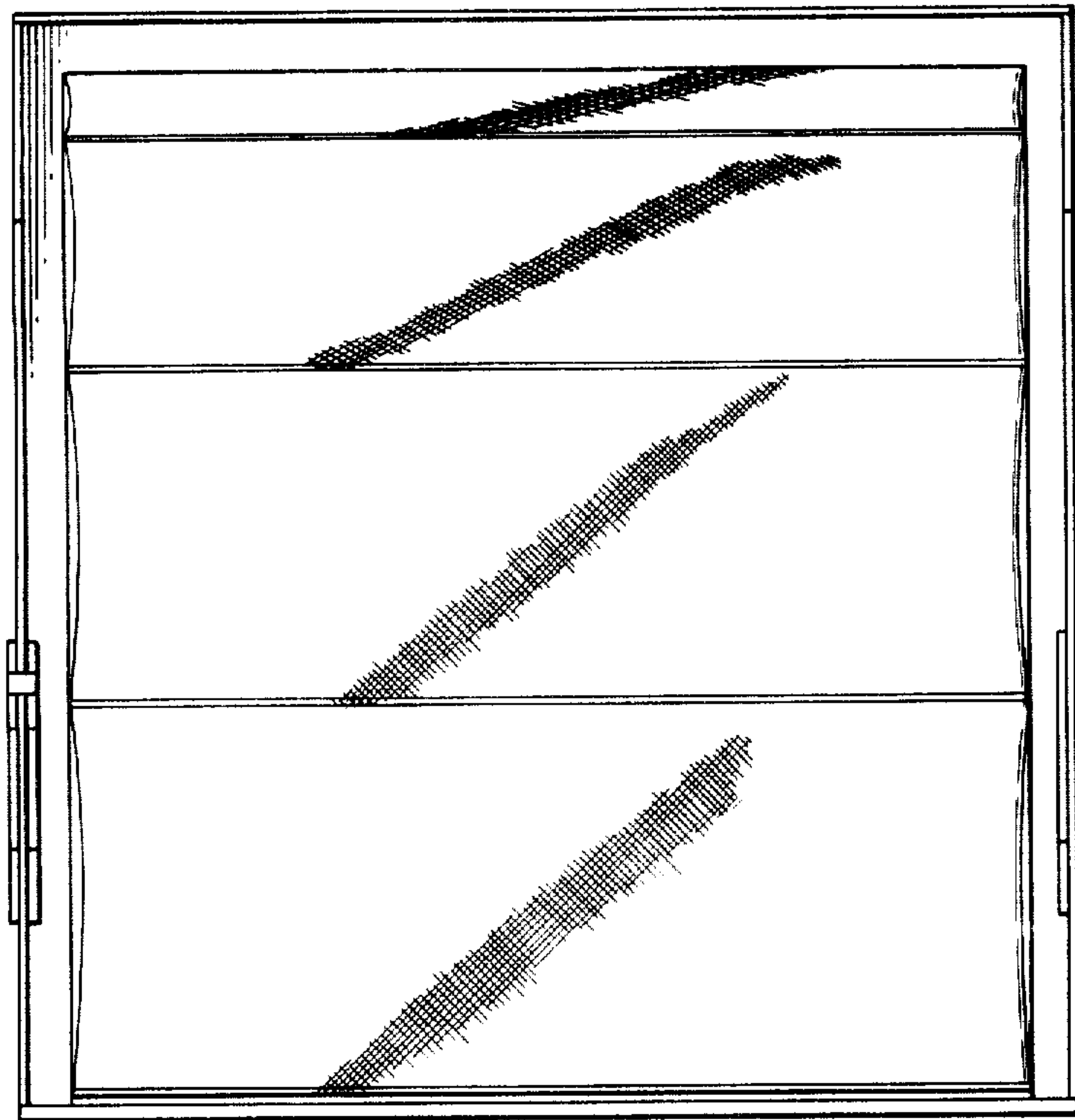


FIG. 4.

