

[54] ELECTROPHORESIS APPARATUS

[75] Inventor: Peter S. Hoefler, San Francisco, Calif.

[73] Assignee: Hoefler Scientific Instruments, San Francisco, Calif.

[**] Term: 14 Years

[21] Appl. No.: 208,867

[22] Filed: Nov. 21, 1980

[51] Int. Cl. D24-01

[52] U.S. Cl. D24/1.1

[58] Field of Search D24/1.1, 2, 8; 204/299 R

[56]

References Cited

U.S. PATENT DOCUMENTS

4,224,134 9/1980 Hoefler 204/299 R

Primary Examiner—James M. Gandy
Attorney, Agent, or Firm—Flehr, Hohbach, Test,
Albritton & Herbert

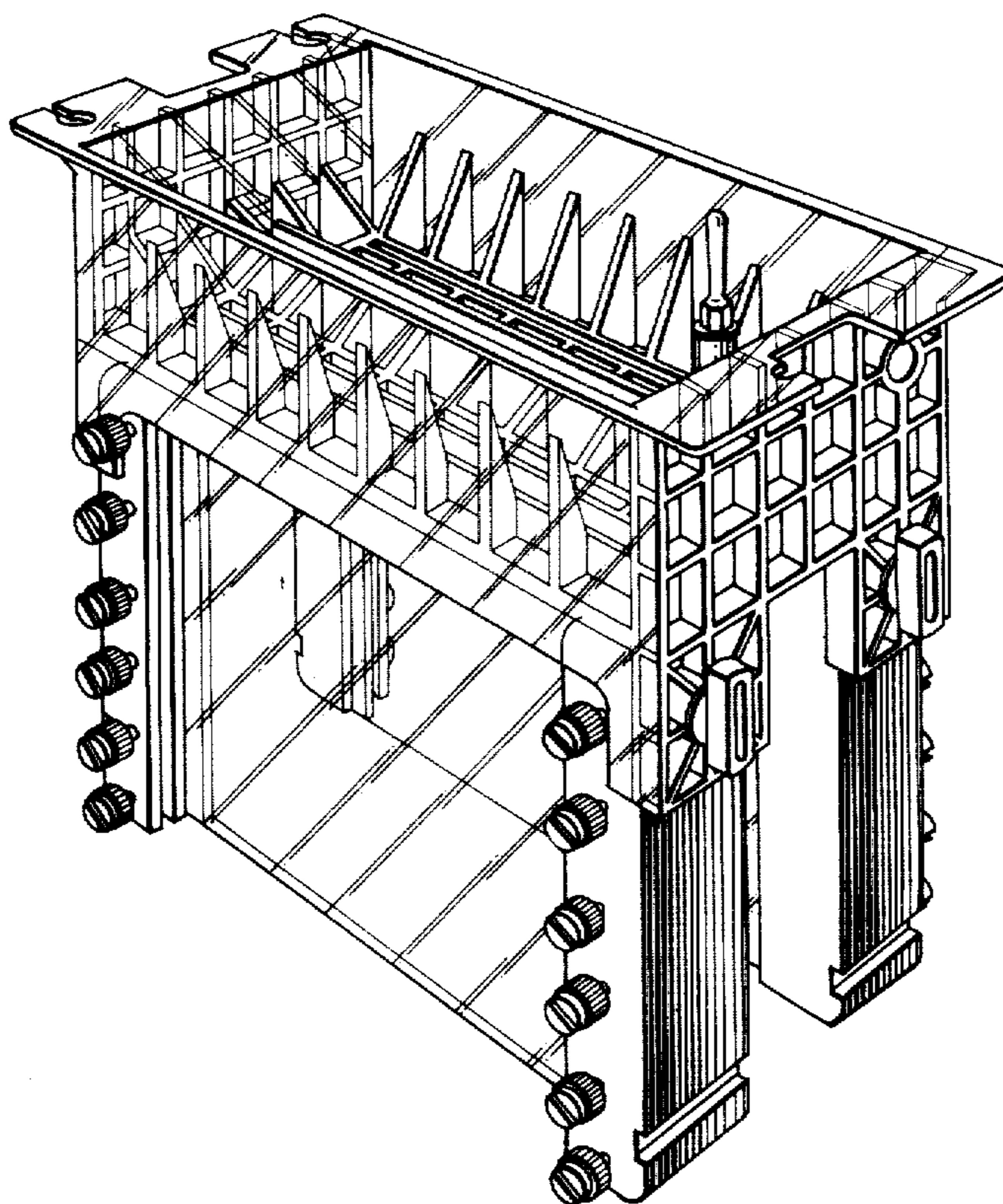
[57]

CLAIM

The ornamental design for an electrophoresis apparatus, as shown.

DESCRIPTION

FIG. 1 is a perspective view of an electrophoresis apparatus, showing my new design;
FIG. 2 is a side elevational view thereof;
FIG. 3 is a left end elevational view thereof;
FIG. 4 is a right end elevational view thereof;
FIG. 5 is a top plan view thereof;
FIG. 6 is a bottom plan view thereof.



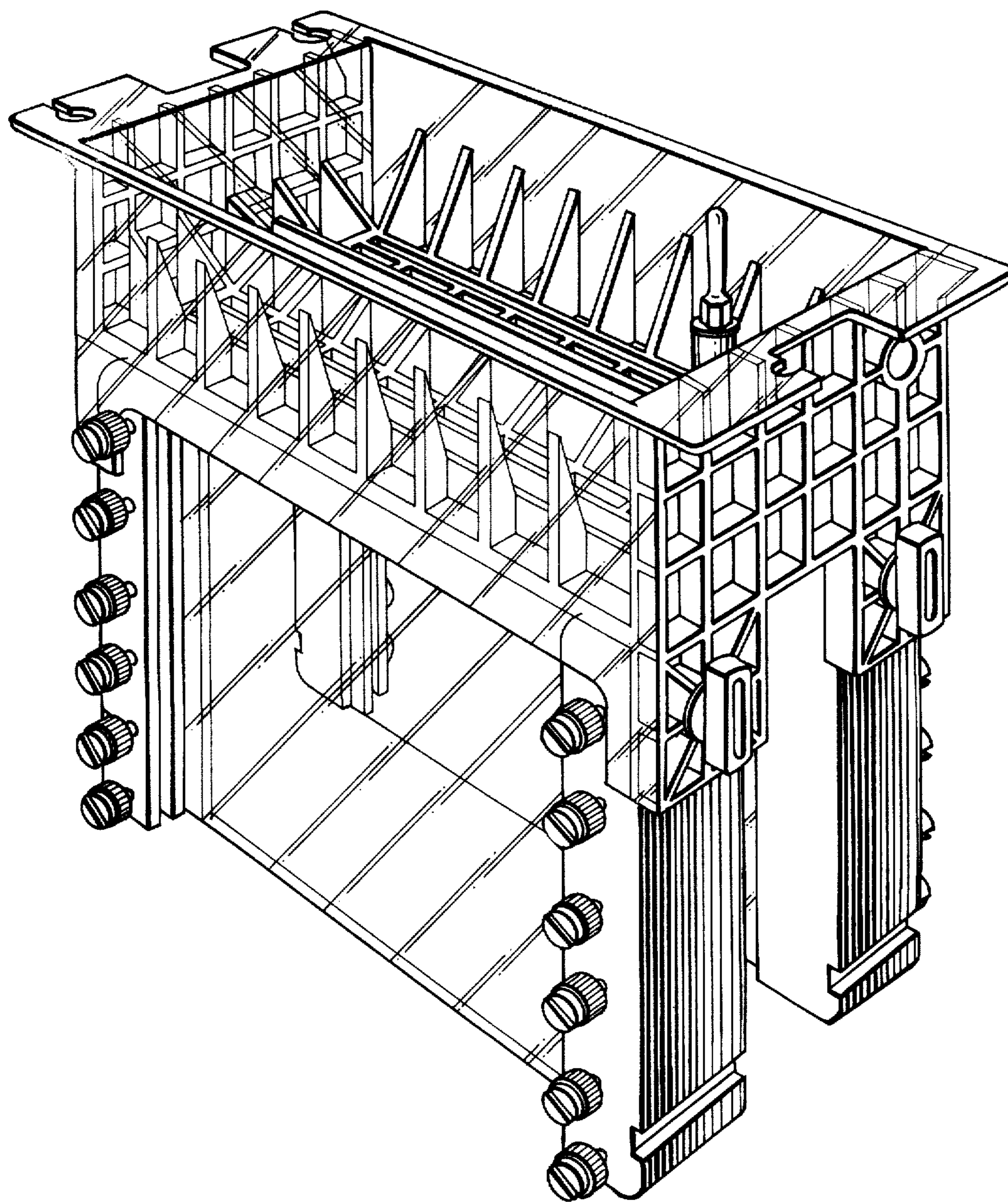


FIG. 1

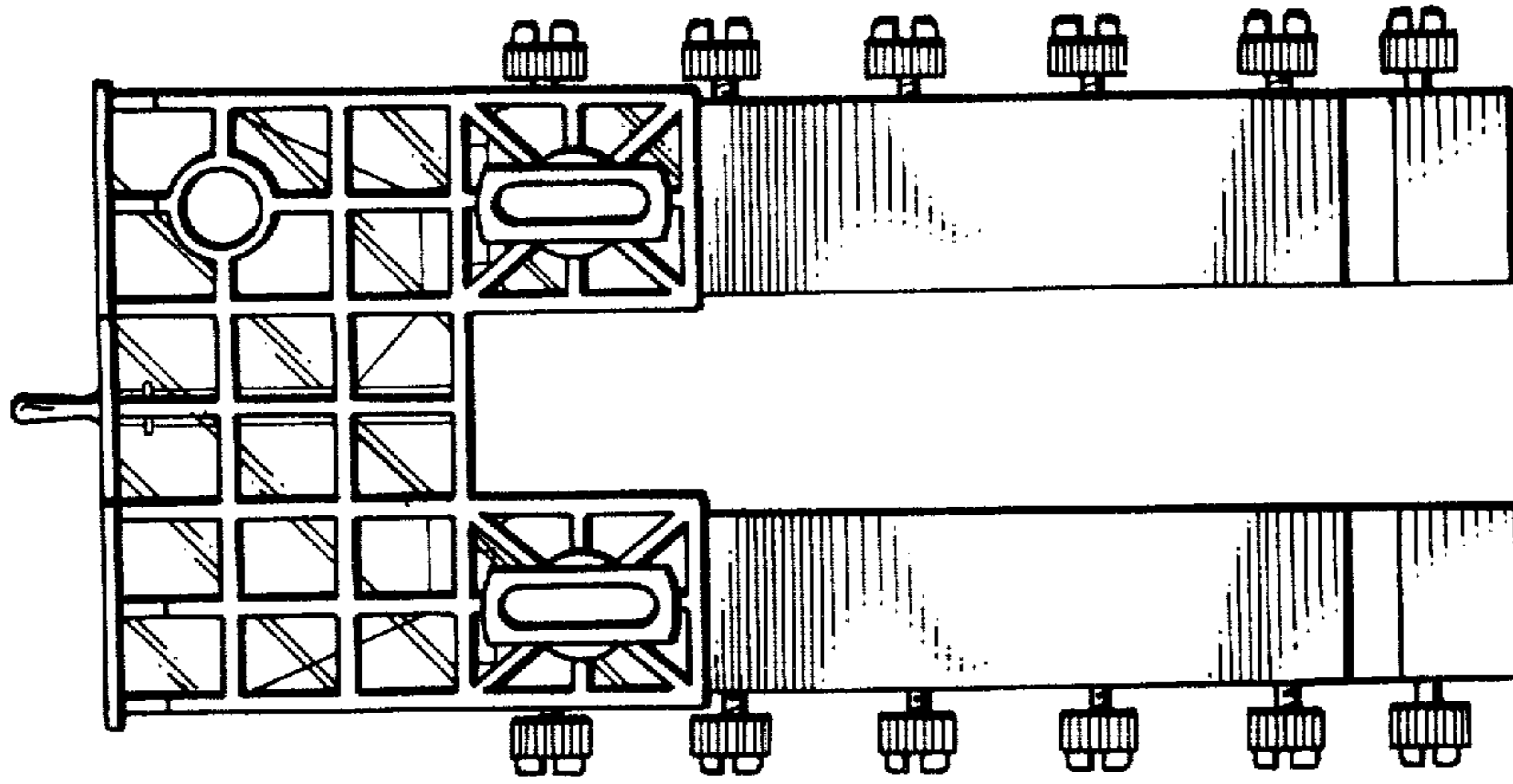


FIG. 3

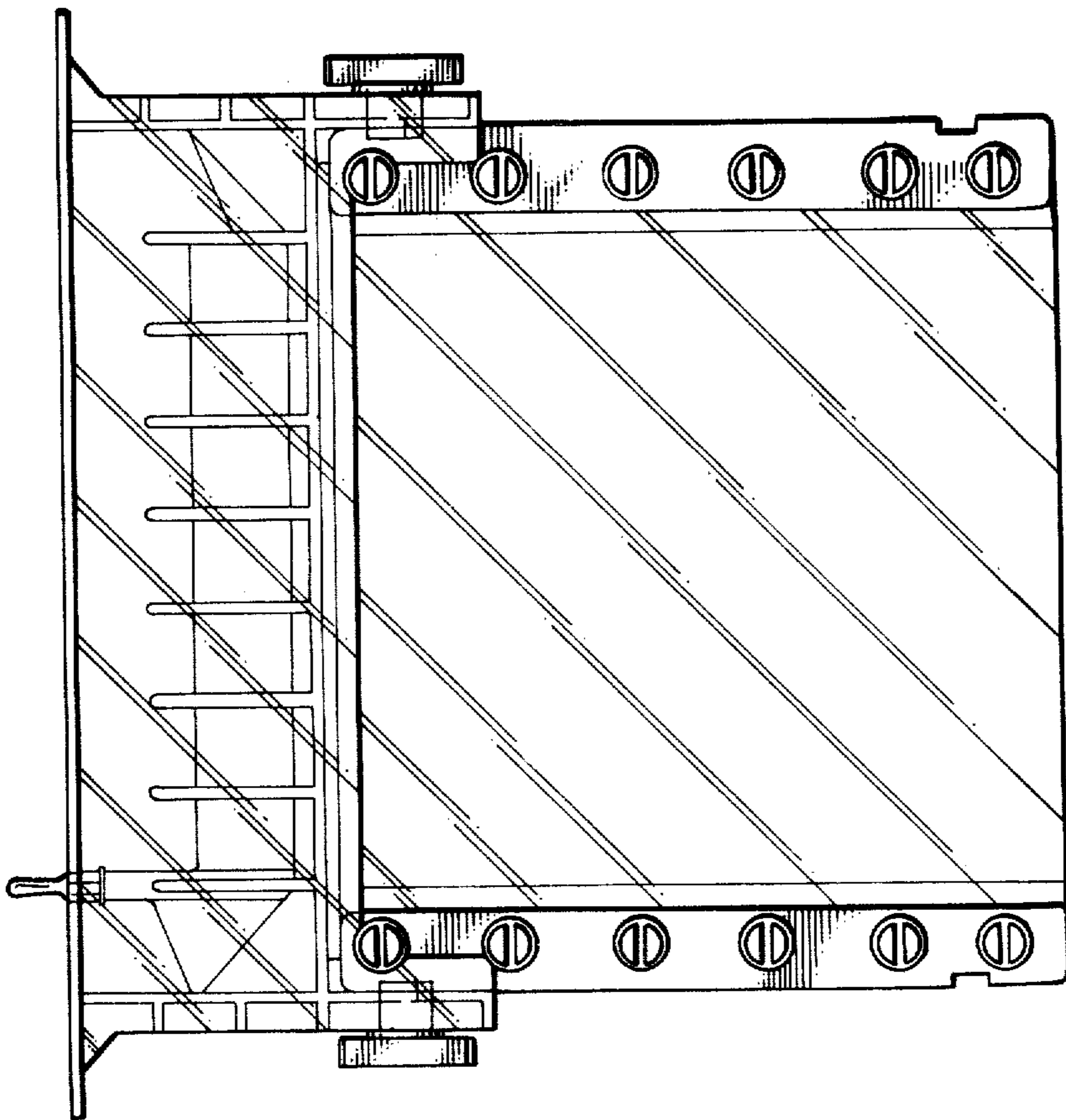


FIG. 2

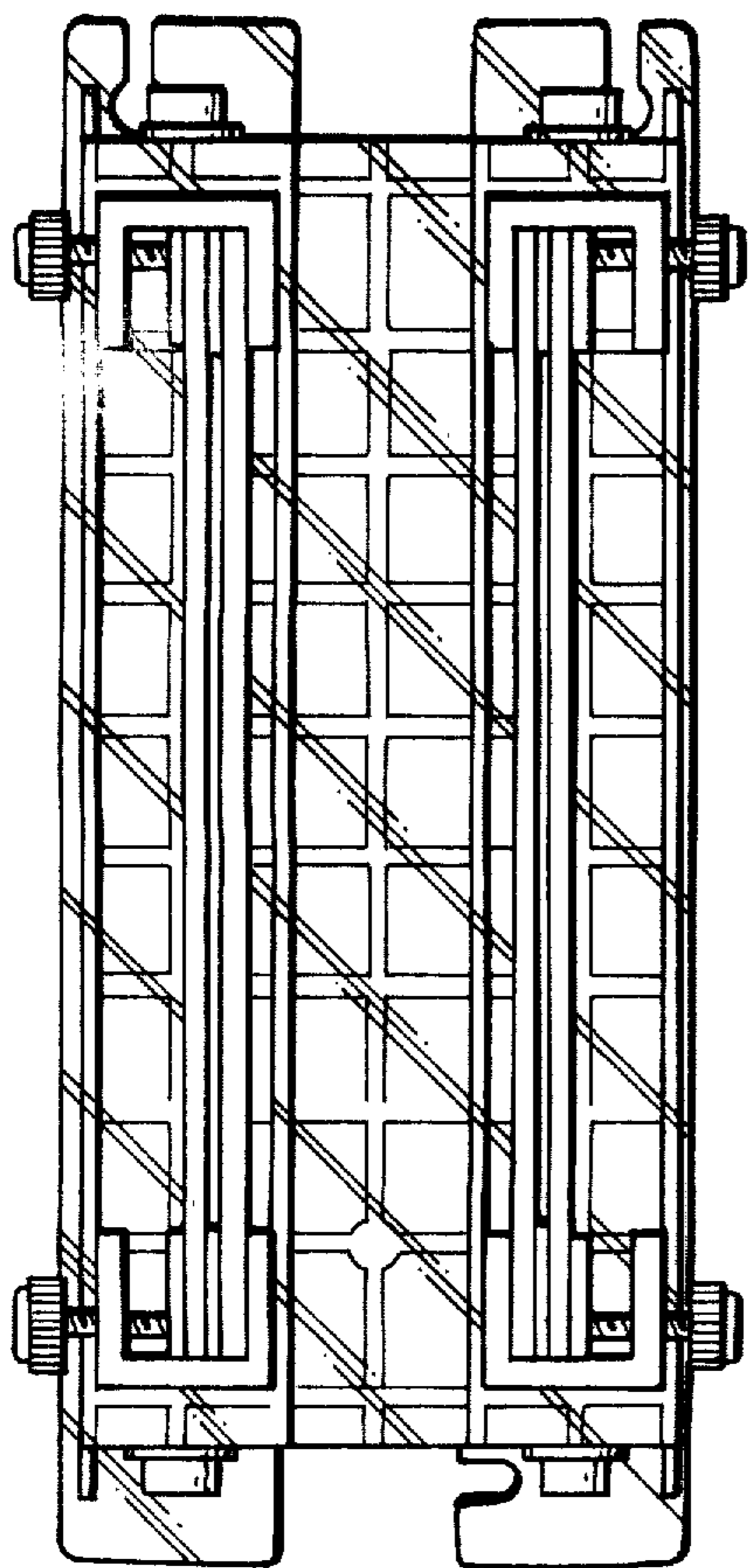


FIG. 6

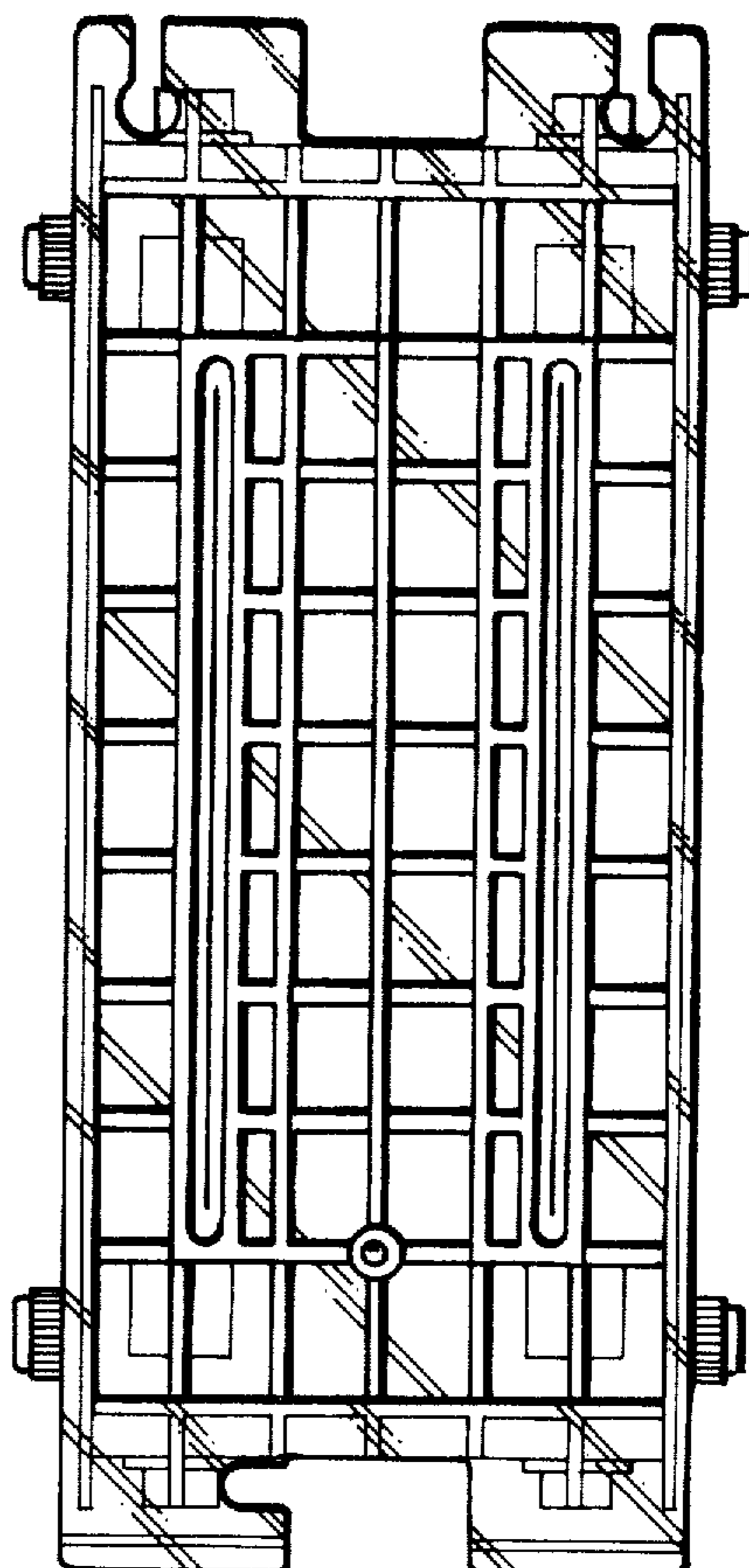


FIG. 5

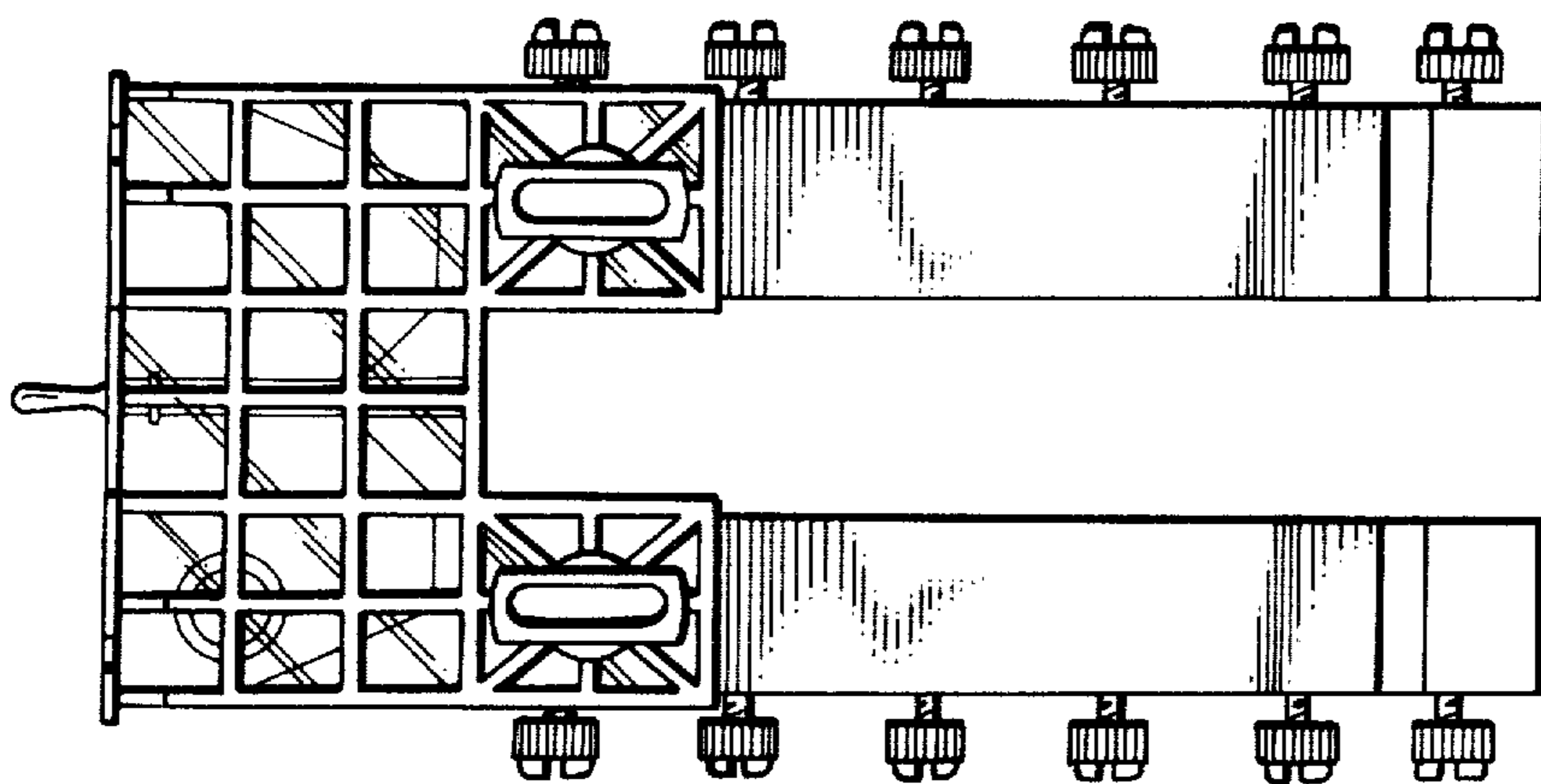


FIG. 4