

[54] **RETRACTABLE IV CONTAINER HOLDER**

[76] **Inventor:** M. Noll Pollard, 815 Corte Entrada,
Chula Vista, Calif. 92010

[**] **Term:** 14 Years

[21] **Appl. No.:** 170,739

[22] **Filed:** Jul. 21, 1980

[51] **Int. Cl.** D24—99; D6—06

[52] **U.S. Cl.** D24/31; D6/113;
D24/1.1; D24/52; D24/99

[58] **Field of Search** D24/1.1, 52, 99;
248/291, 293, 294, 324; 224/42.46 R; 211/113;
D6/113

[56]

References Cited

U.S. PATENT DOCUMENTS

D. 260,816 9/1981 Zissimopoulos et al. D24/52
2,189,538 2/1940 Van Pelt 248/291

Primary Examiner—B. J. Bullock
Attorney, Agent, or Firm—Philip M. Hinderstein

[57]

CLAIM

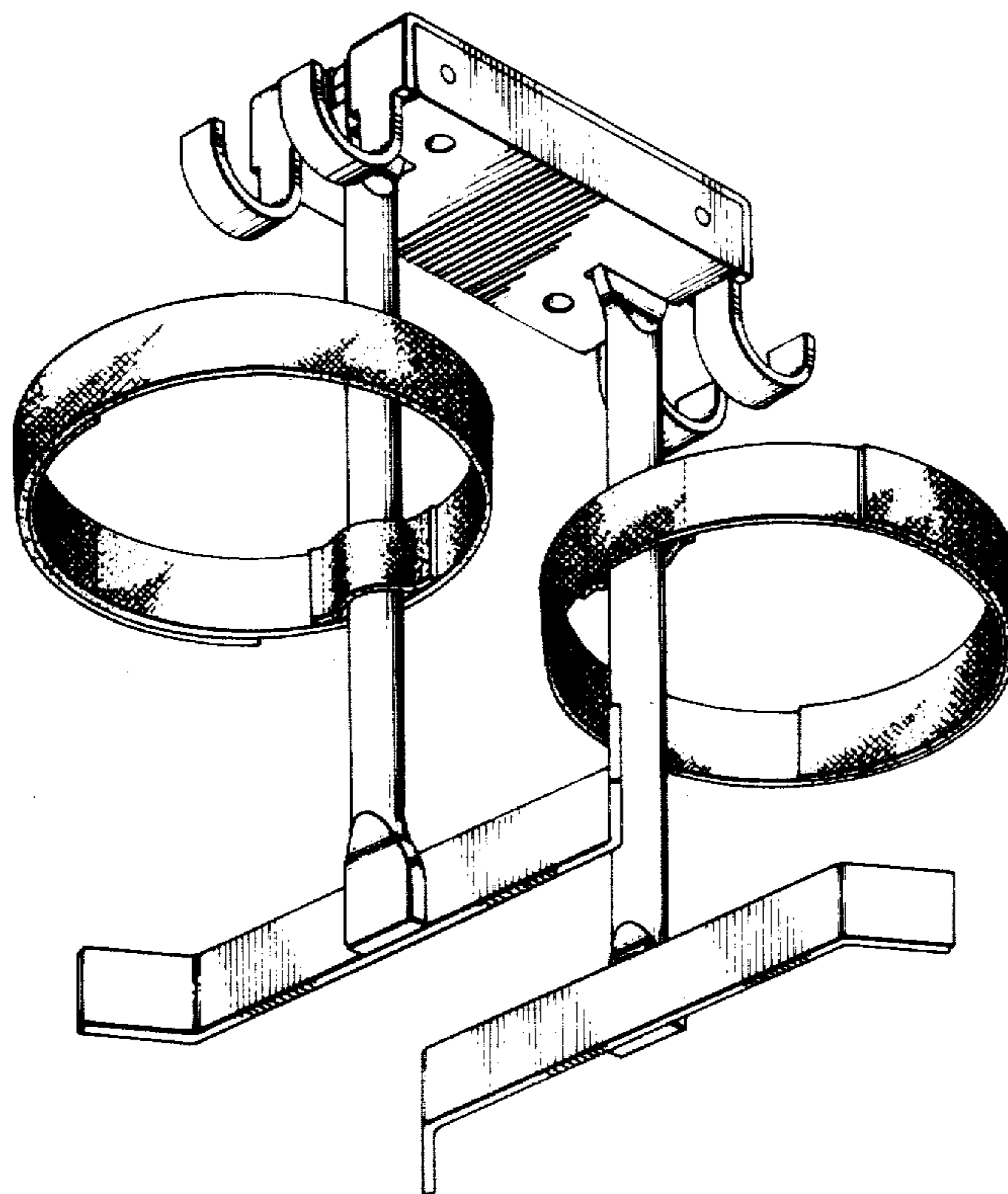
The ornamental design for a retractable IV container holder, as shown and described.

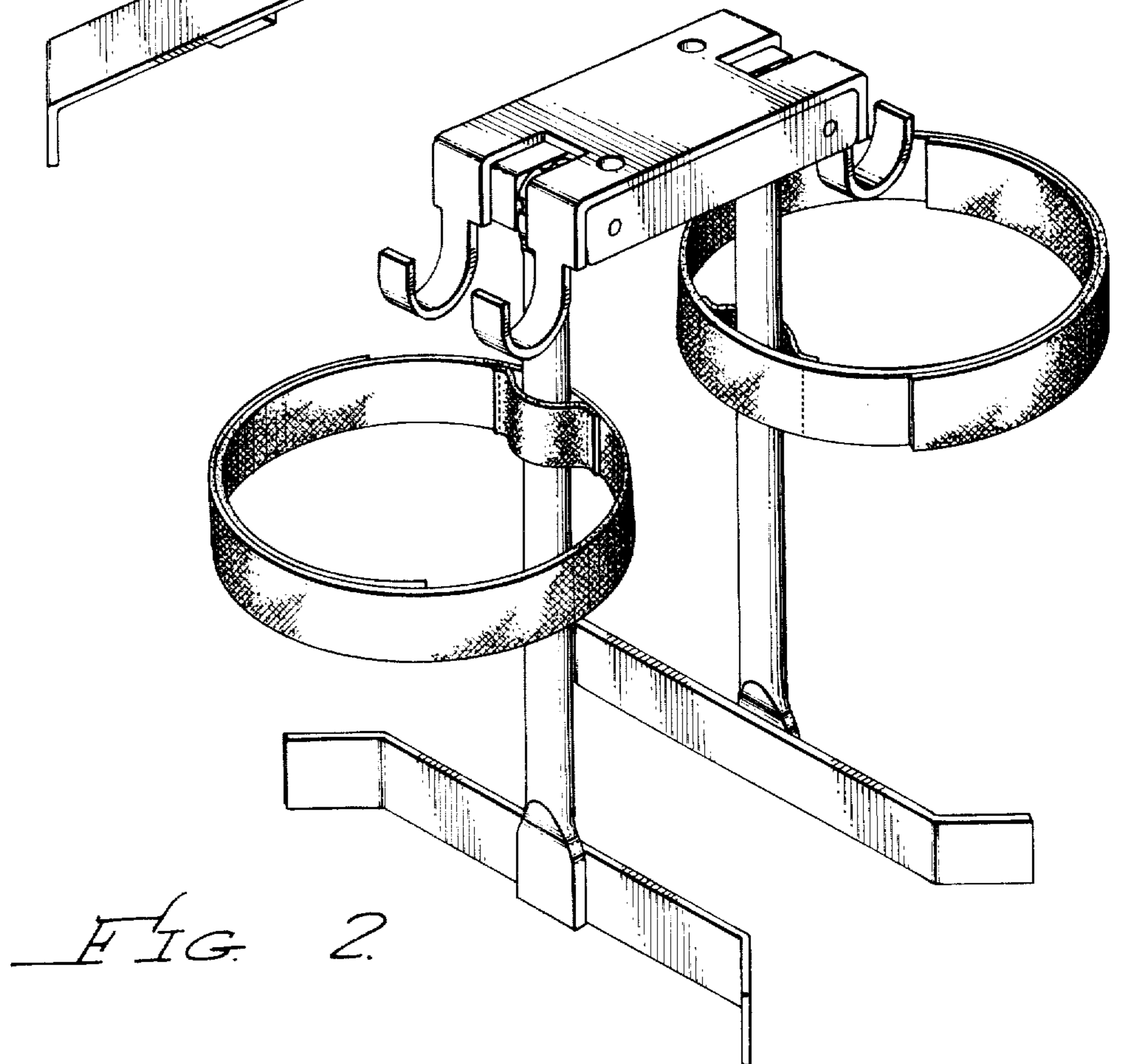
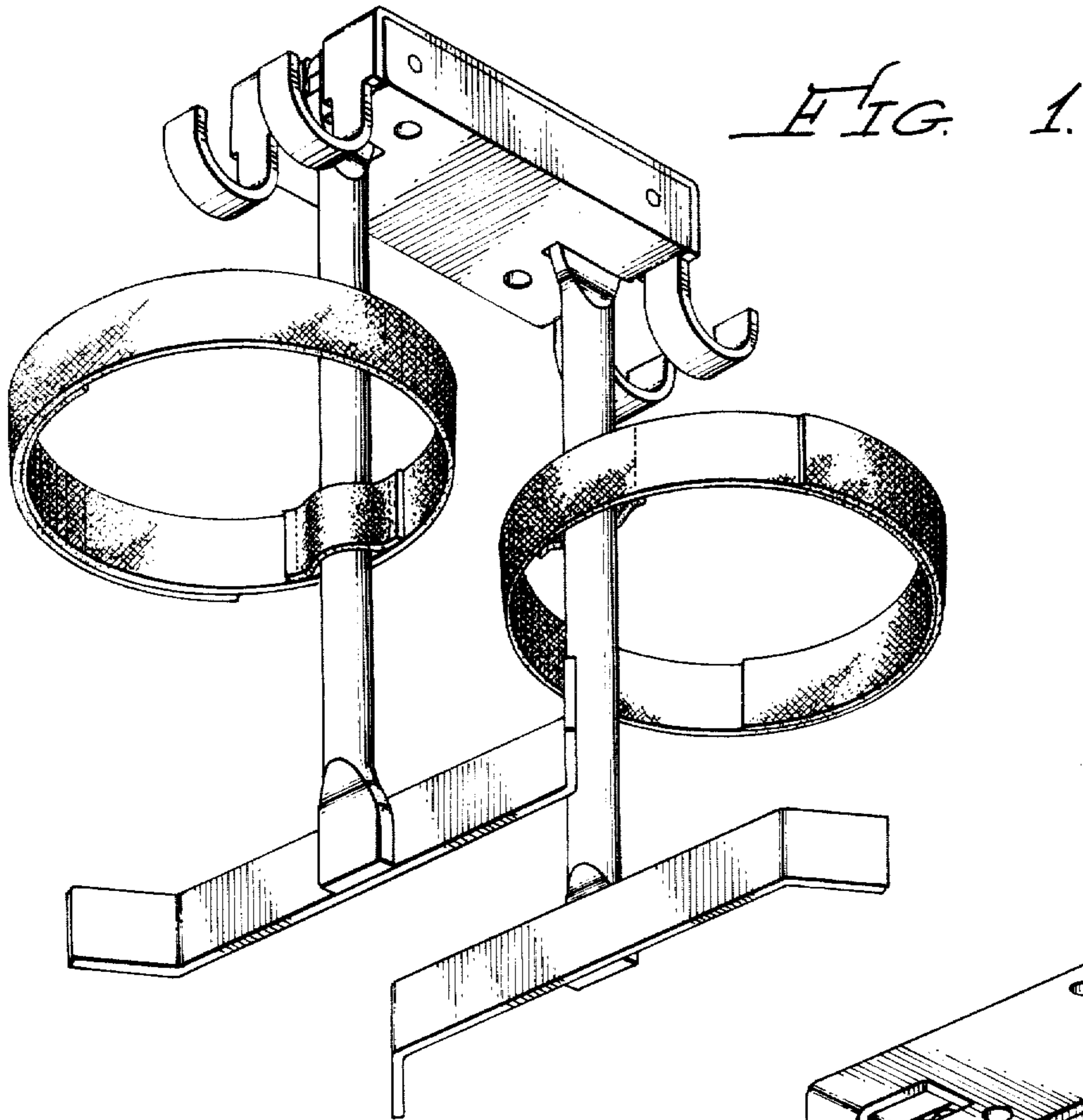
DESCRIPTION

FIG. 1 is a front, bottom and right side perspective view of a retractable IV container holder showing my new design;

FIG. 2 is a rear, top and left side perspective view thereof; and

FIG. 3 is a front, bottom and right side perspective view with the arms in the retracted positions.





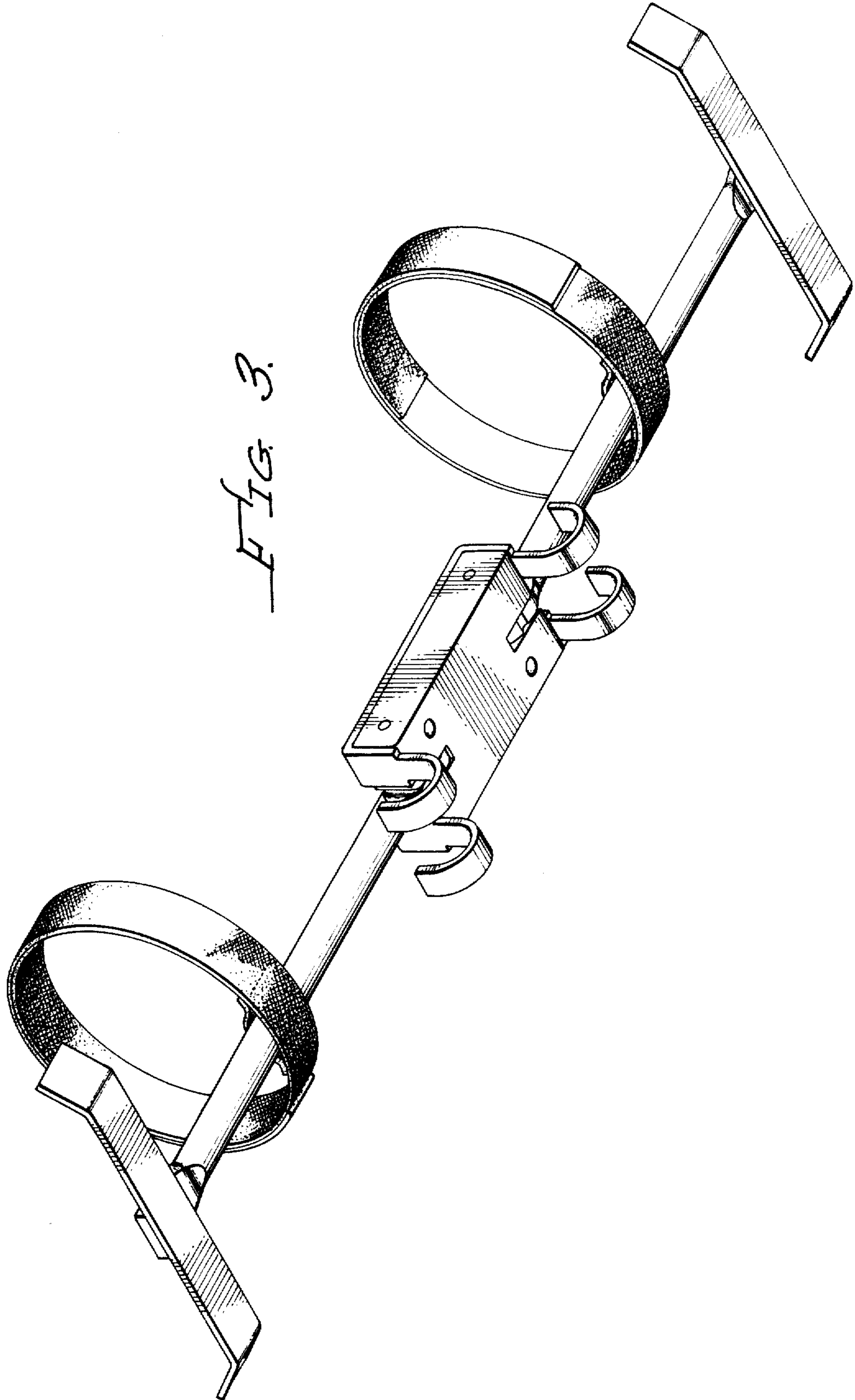


FIG. 3.