

[54] **WOOD BURNING STOVE**

[76] **Inventor:** Peter Kilham, Box 98, Mill Rd.,  
Foster, R.I. 02865

[\*\*] **Term:** 14 Years

[21] **Appl. No.:** 201,171

[22] **Filed:** Oct. 27, 1980

[51] **Int. Cl.** ..... D23-03  
[52] **U.S. Cl.** ..... D23/97  
[58] **Field of Search** ..... D23/92-97,  
D23/105; 126/4, 6, 58, 60-66, 120, 121, 123,  
126

[56]

**References Cited**  
**U.S. PATENT DOCUMENTS**

D. 254,390 3/1980 Smith ..... D23/97

*Primary Examiner*—Catherine E. Kemper  
*Attorney, Agent, or Firm*—Salter & Michaelson

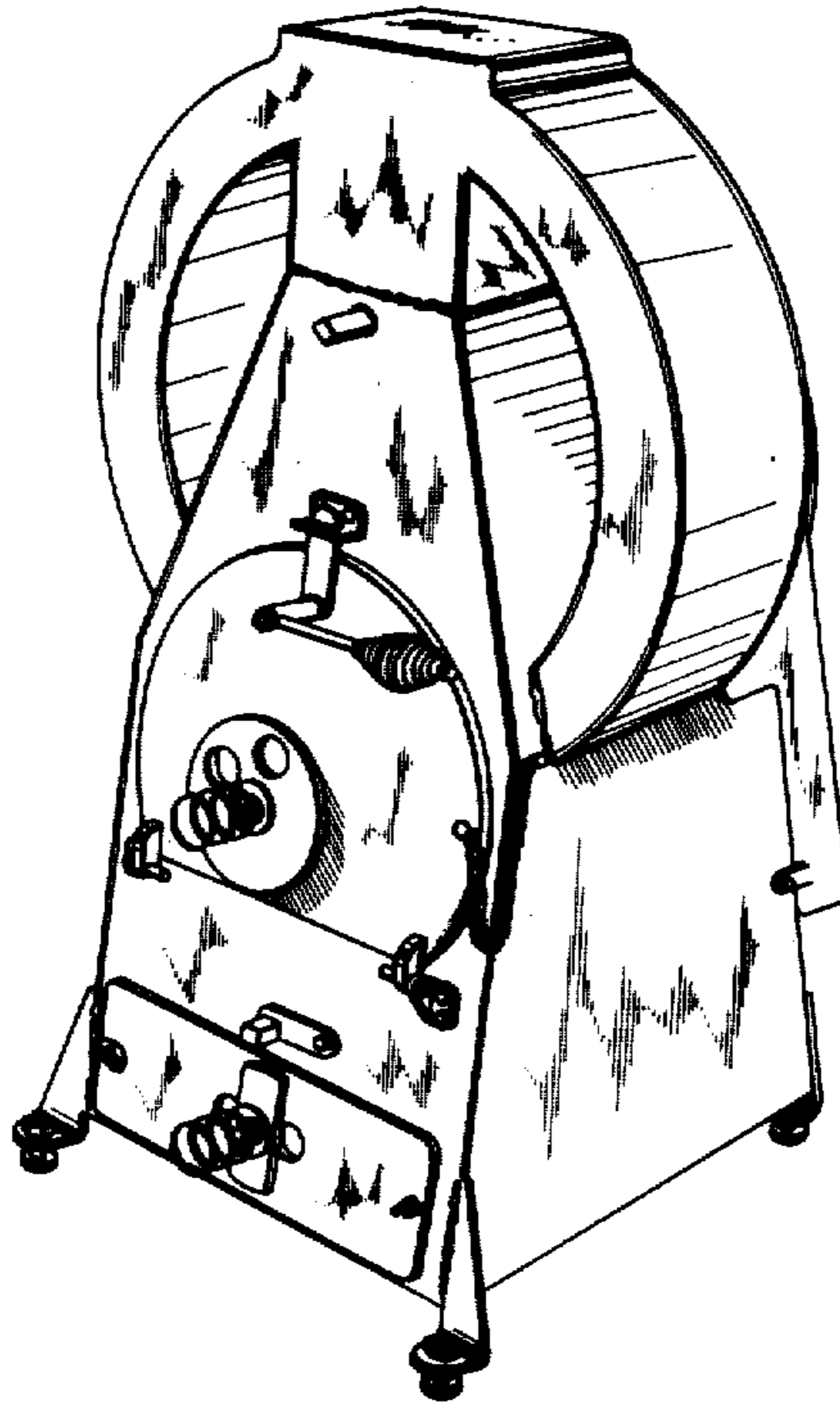
[57]

**CLAIM**

The ornamental design for a wood burning stove, substantially as shown.

**DESCRIPTION**

FIG. 1 is a perspective view of a wood burning stove showing my new design;  
FIG. 2 is a bottom plan view thereof;  
FIG. 3 is a rear elevational view thereof;  
FIG. 4 is a top plan view thereof;  
FIG. 5 is a right side elevational view thereof; and  
FIG. 6 is a left side elevational view thereof.



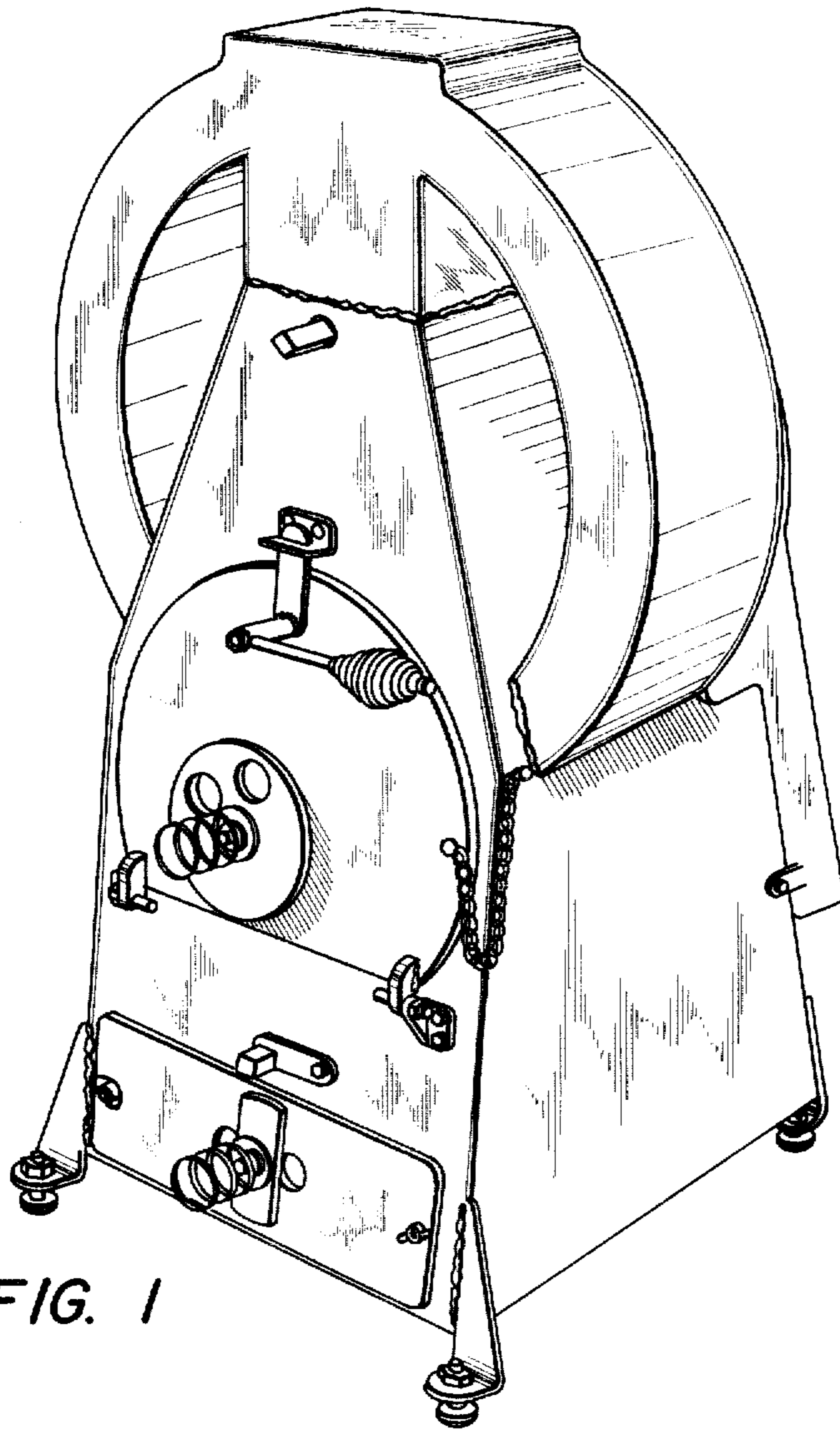


FIG. 1

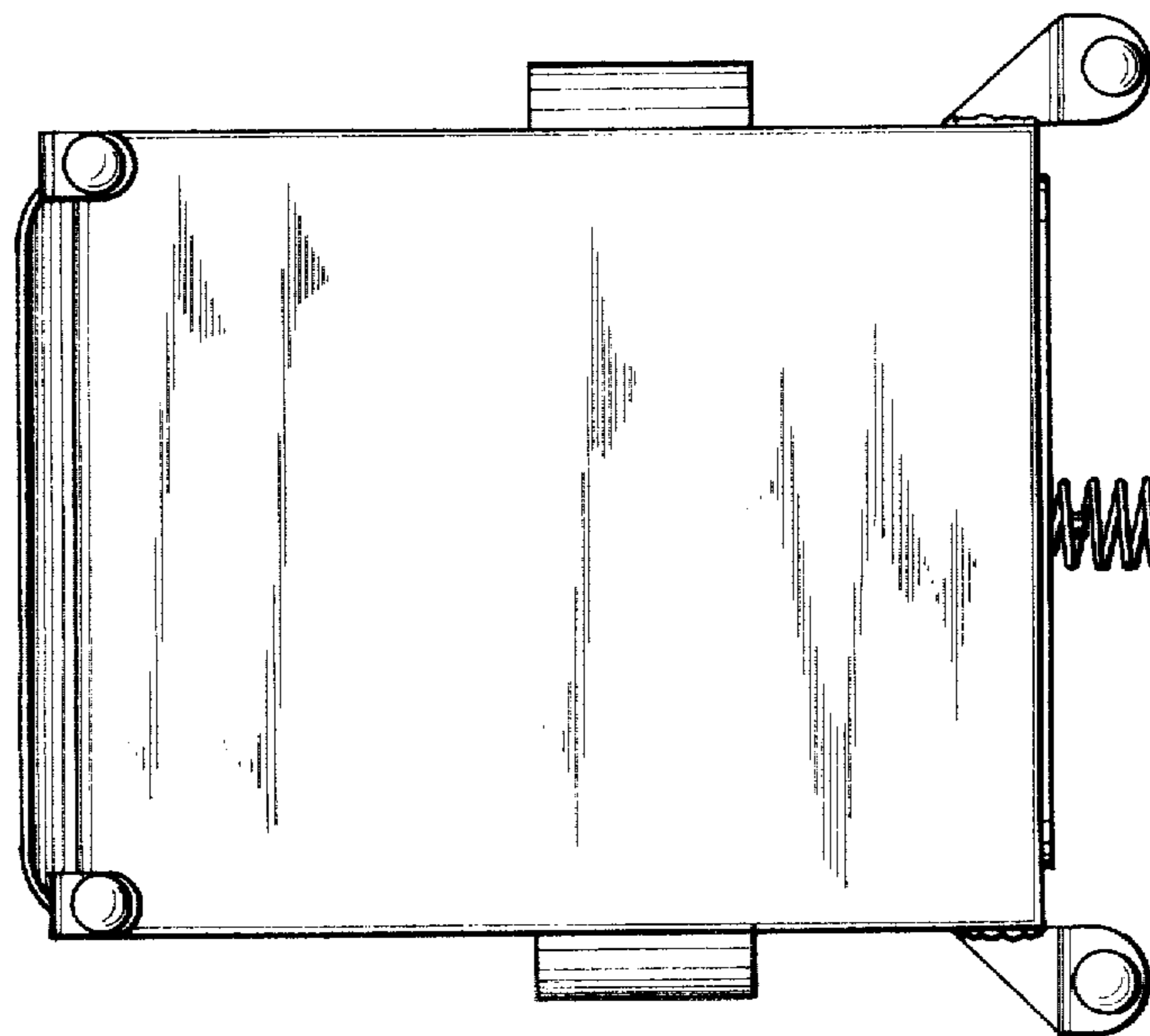
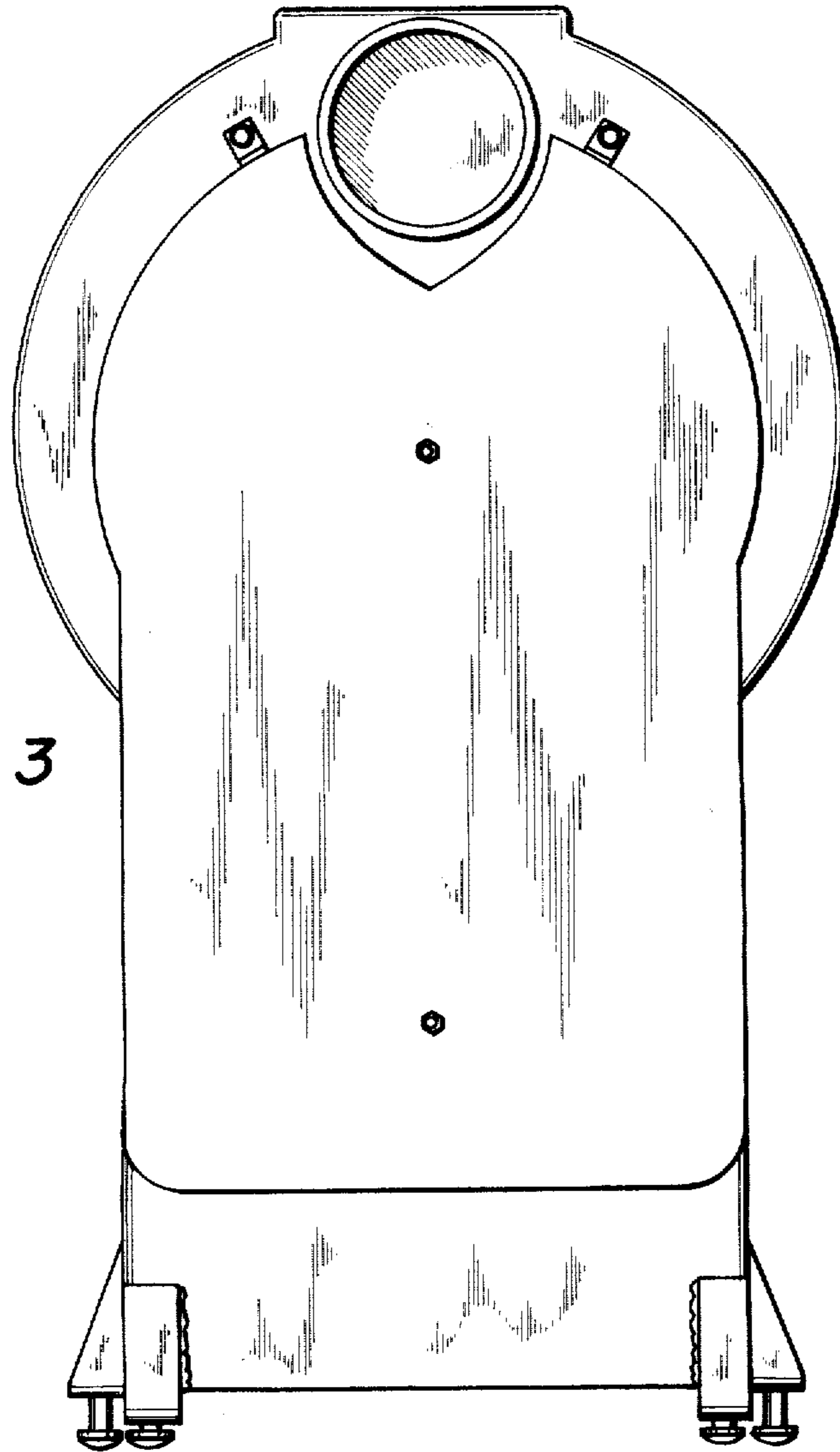
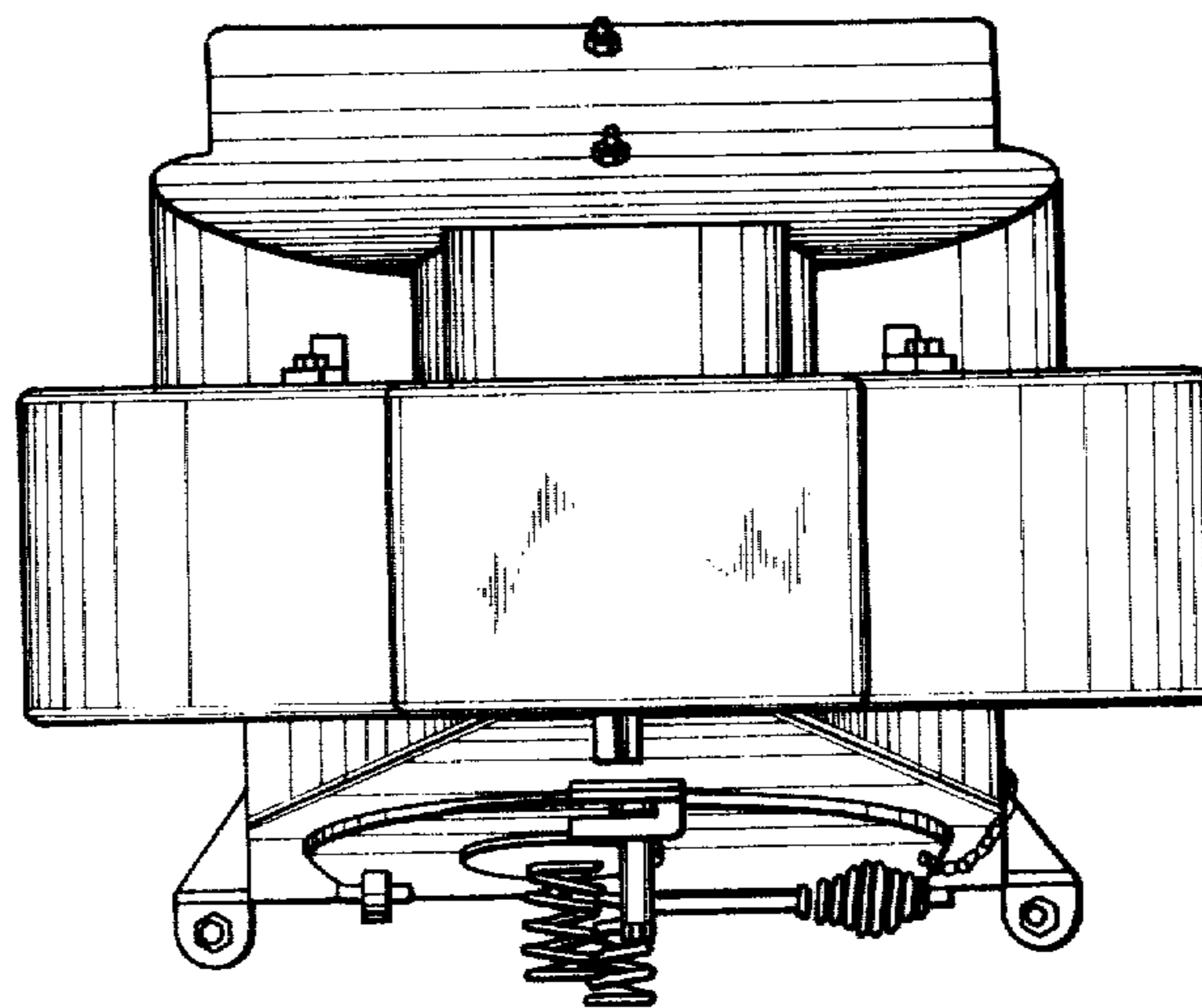


FIG. 2

*FIG. 3*



*FIG. 4*



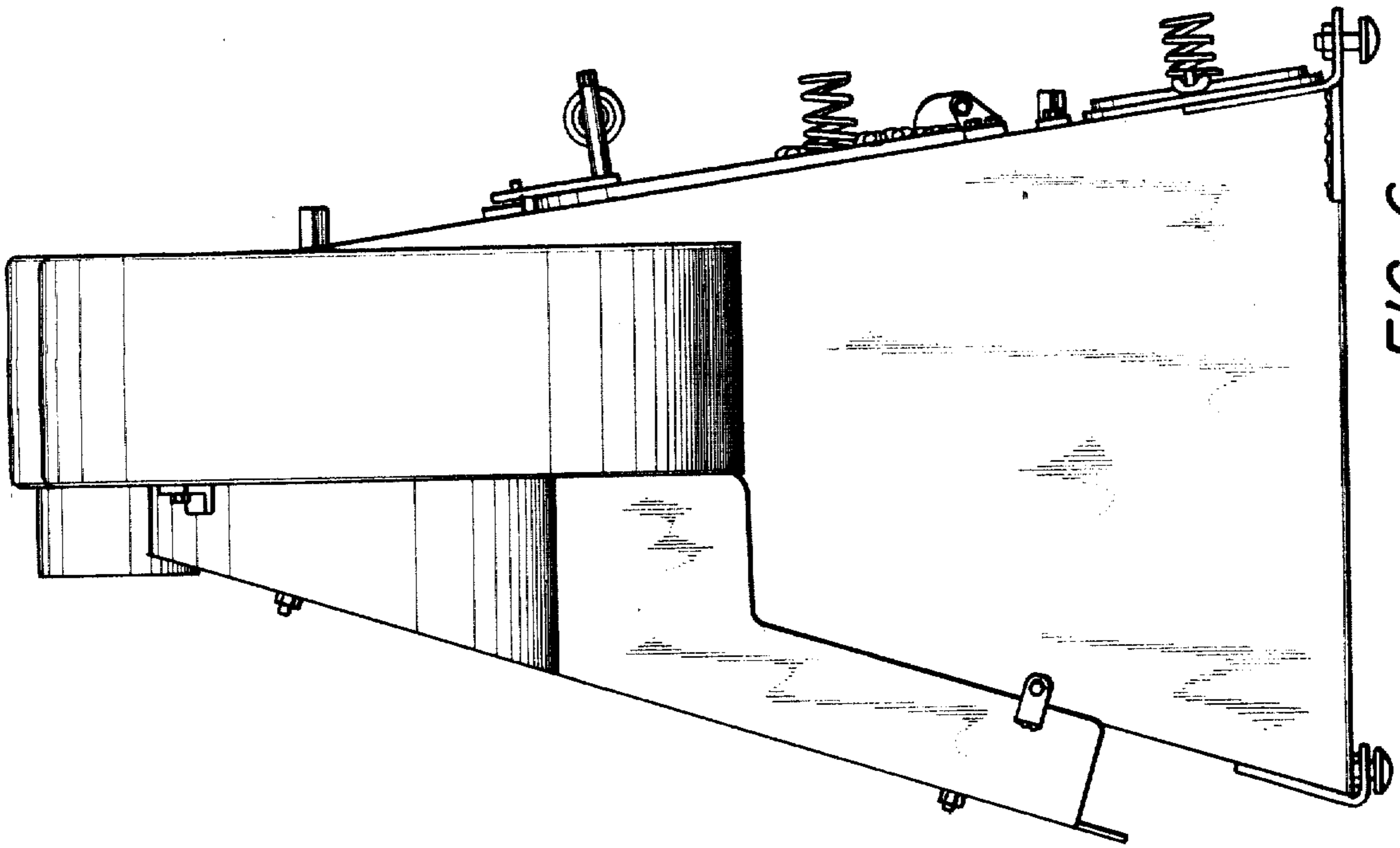


FIG. 6

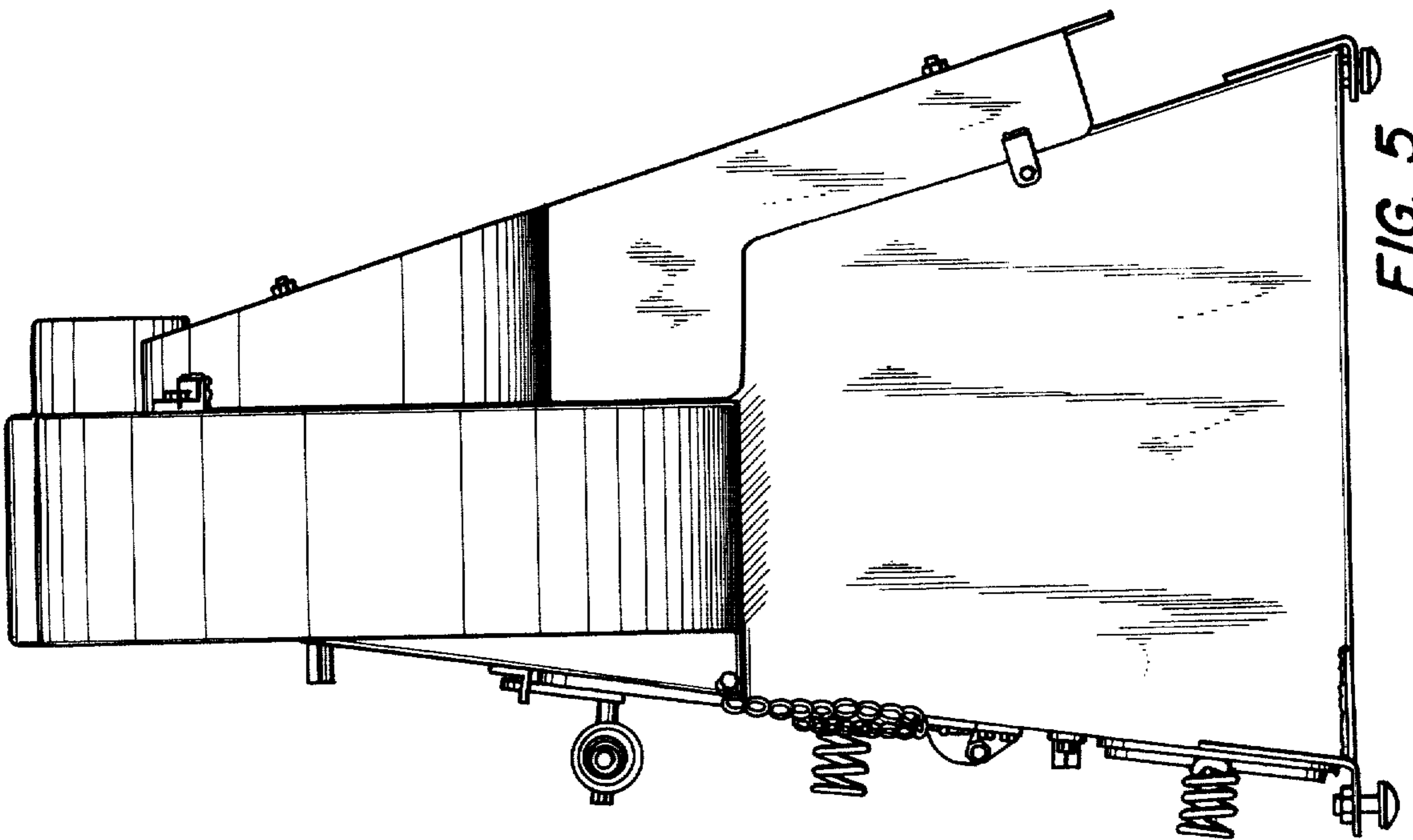


FIG. 5