

[54] AMUSEMENT WATERSLIDE
 [76] Inventor: Robert H. Brown, 874 E. Woodward Rd., Manteca, Calif. 95336
 [**] Term: 14 Years
 [21] Appl. No.: 266,473
 [22] Filed: May 22, 1981
 [51] Int. Cl. D21-03
 [52] U.S. Cl. D21/244
 [58] Field of Search D21/244; 272/56.5

References Cited

U.S. PATENT DOCUMENTS

D. 256,827	9/1980	Allen	D21/244
D. 256,828	9/1980	Allen	D21/244
872,253	11/1907	Riehl	272/56.5
1,754,375	4/1930	Sturges	193/12
3,343,793	9/1967	Waser	238/10
3,923,301	12/1975	Myers	272/56.5
4,149,710	4/1979	Rouchard	272/56.5
4,196,900	4/1980	Becker et al.	272/56.5
4,198,043	4/1980	Timbes	272/56.5

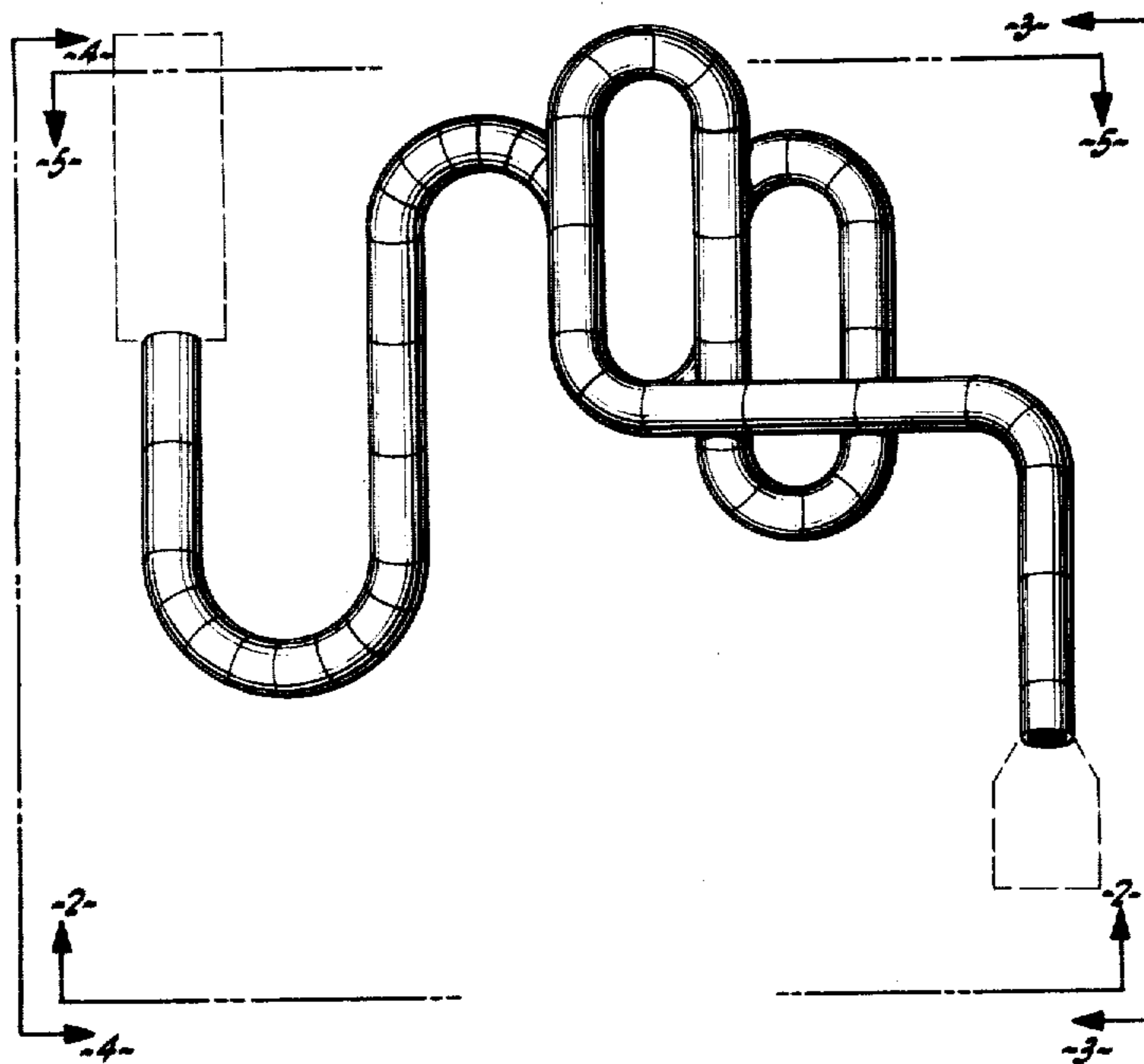
Primary Examiner—Melvin B. Feifer
 Attorney, Agent, or Firm—Roger B. Webster

[57] CLAIM

The ornamental design for an amusement waterslide, as shown and described.

DESCRIPTION

FIG. 1 is a plan view of a waterslide embodying the present design.
 FIG. 2 is a longitudinal elevation taken substantially on line 2—2 of FIG. 1.
 FIG. 3 is an end elevation taken substantially on line 3—3 of FIG. 1.
 FIG. 4 is an opposite end elevation taken substantially on line 4—4 of FIG. 1.
 FIG. 5 is a longitudinal elevation, opposite from FIG. 2, taken substantially on line 5—5 of FIG. 1.
 FIG. 6 is a bottom plan view taken substantially on line 6—6 of FIG. 2.
 The entry and exit pools shown in broken lines at the ends of the waterslide are for positional illustration only and form no part of the present design.



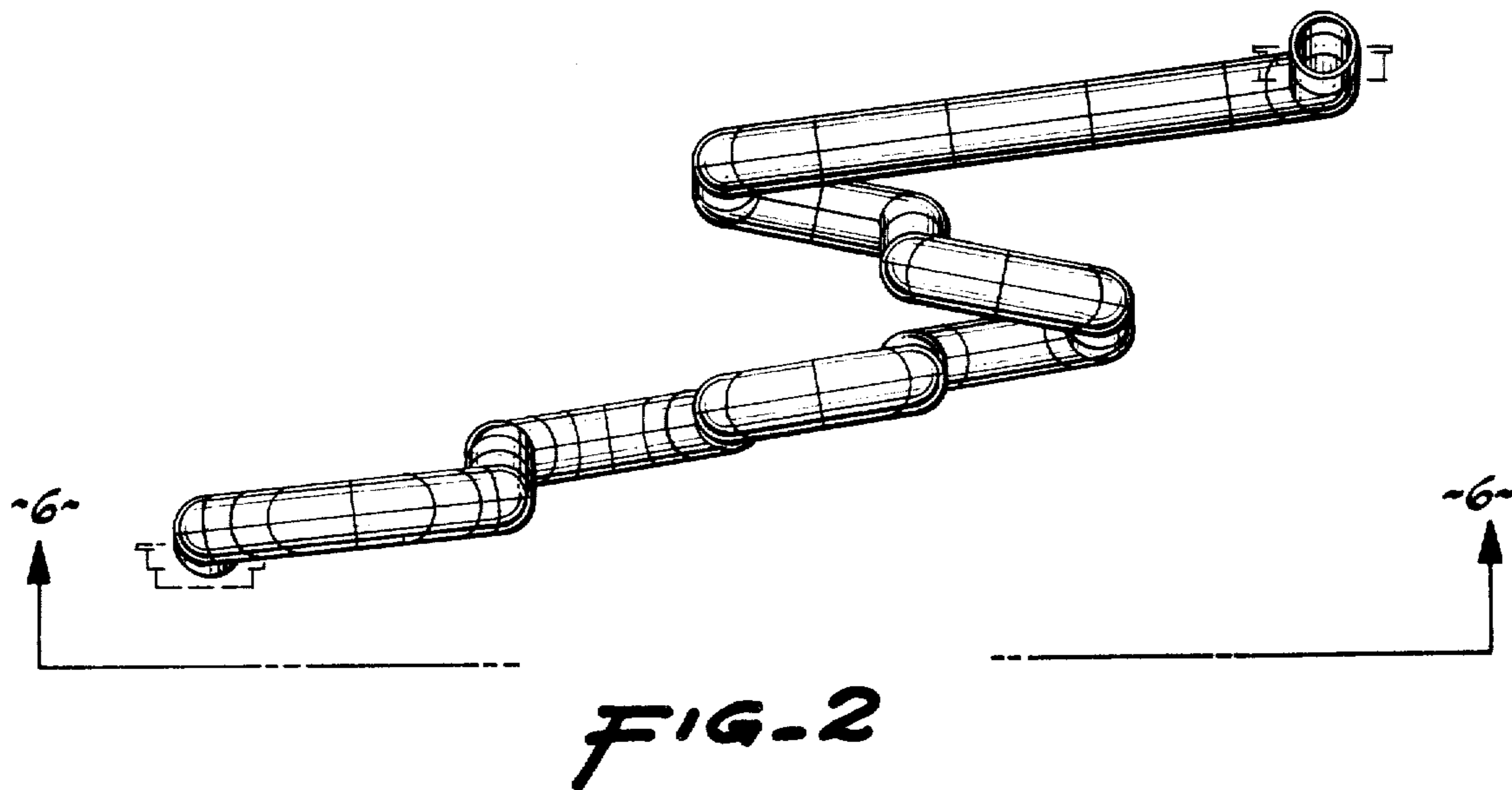
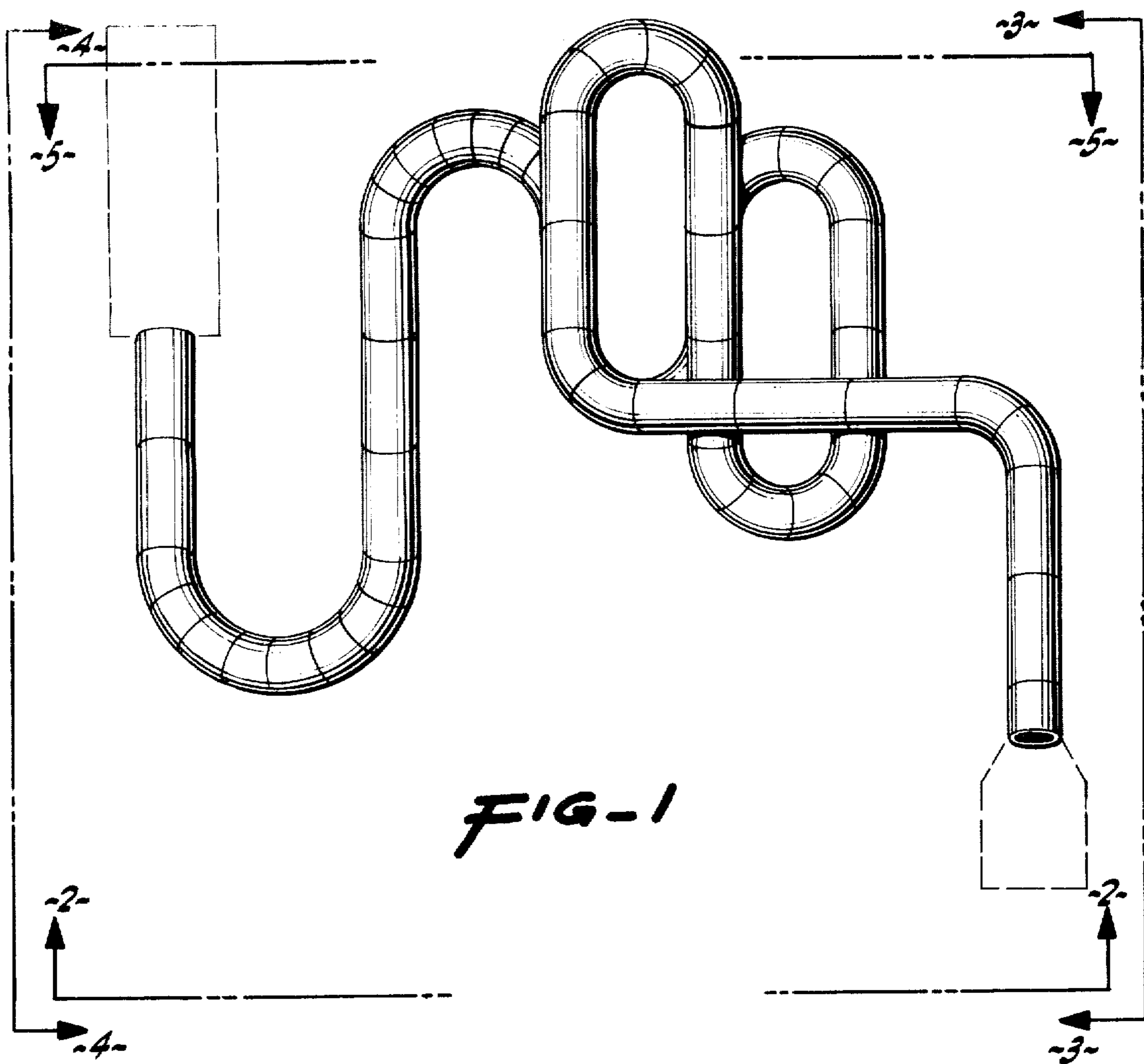


FIG-3

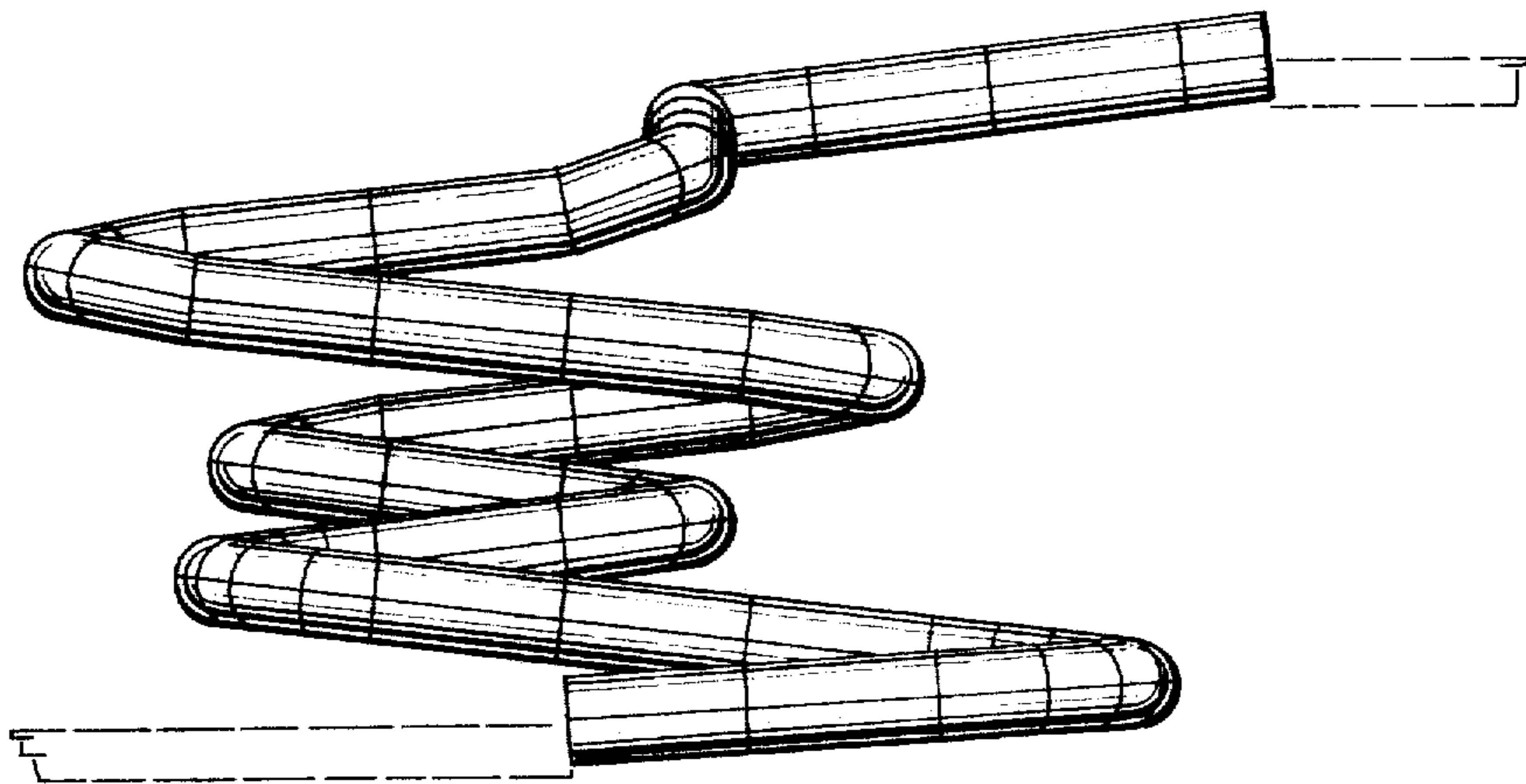
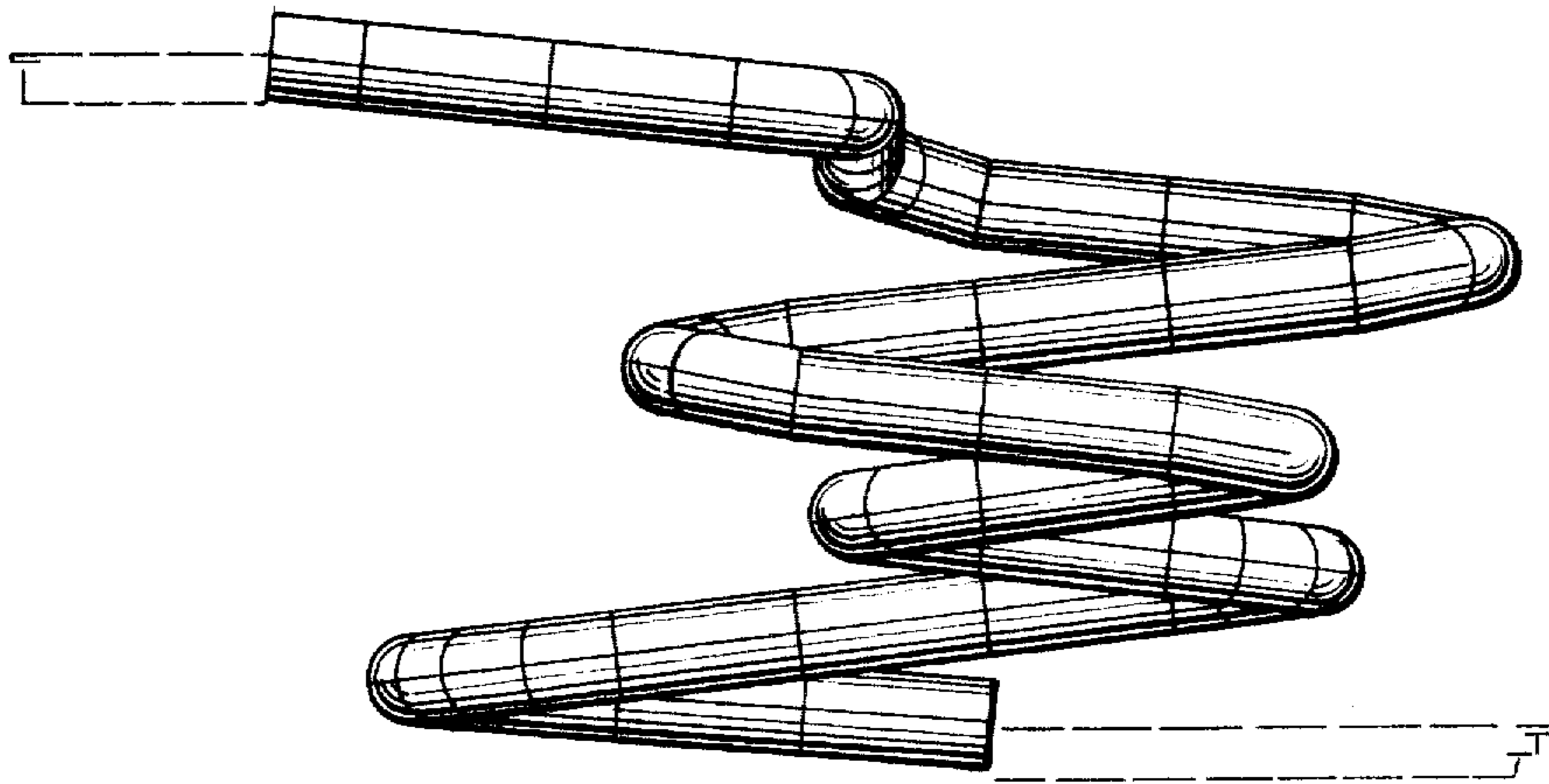


FIG-4

FIG-5

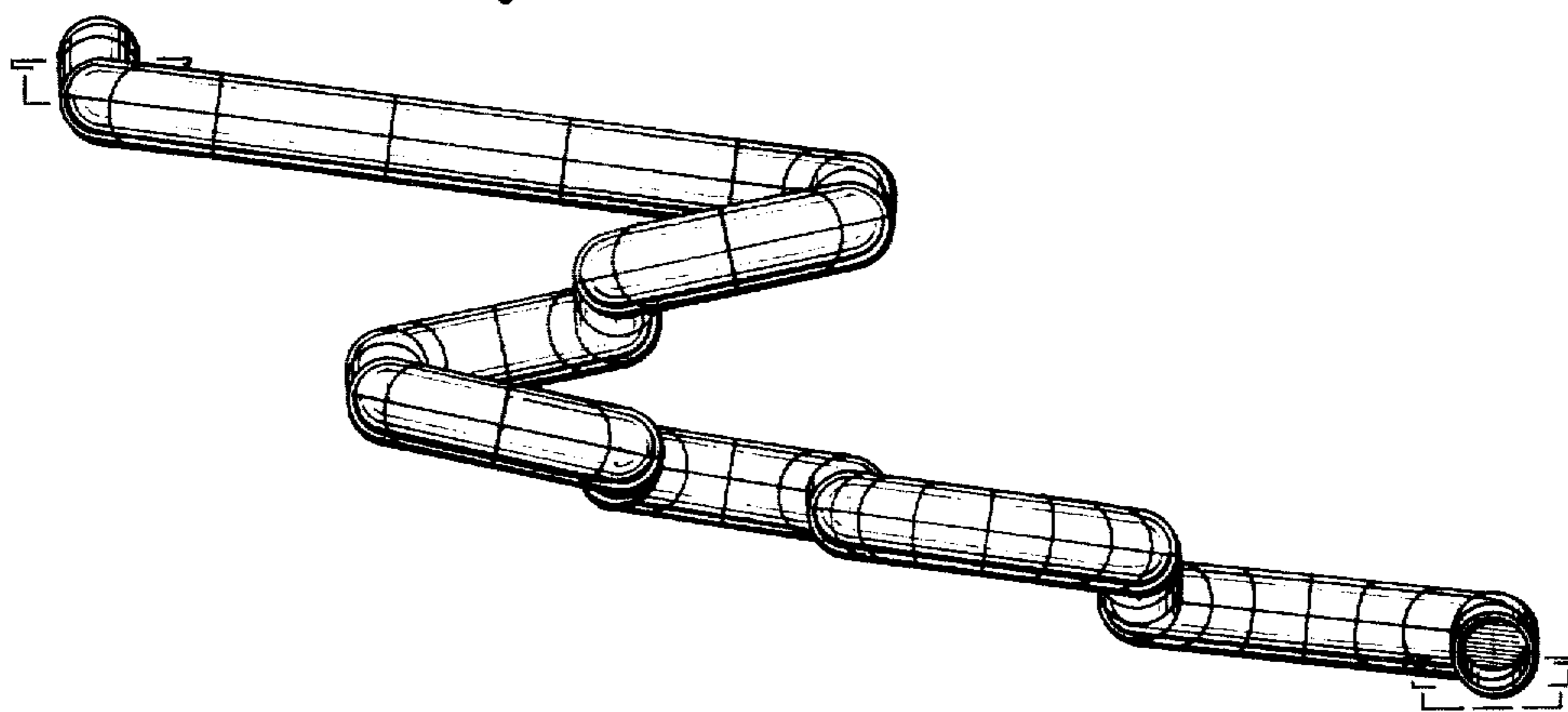


FIG-6

