

[54] TOY CAR

[75] Inventor: Fritz Reder, Canfield, Ohio

[73] Assignee: Anneliese Reder, Canfield, Ohio

[**] Term: 14 Years

[21] Appl. No.: 243,840

[22] Filed: Mar. 16, 1981

[51] Int. Cl. D21-01

[52] U.S. Cl. D21/137

[58] Field of Search D21/71, 76, 78, 128,
D21/134, 136, 137; 46/201, 202, 218, 204

[56]

References Cited

U.S. PATENT DOCUMENTS

D. 55,032	5/1920	Fuhrmann	D21/78
D. 226,813	5/1973	French	D21/137
1,352,577	9/1920	Brock	D21/78
3,238,665	3/1966	Doe	46/204

Primary Examiner—Charles A. Rademaker
Attorney, Agent, or Firm—Harpman & Harpman

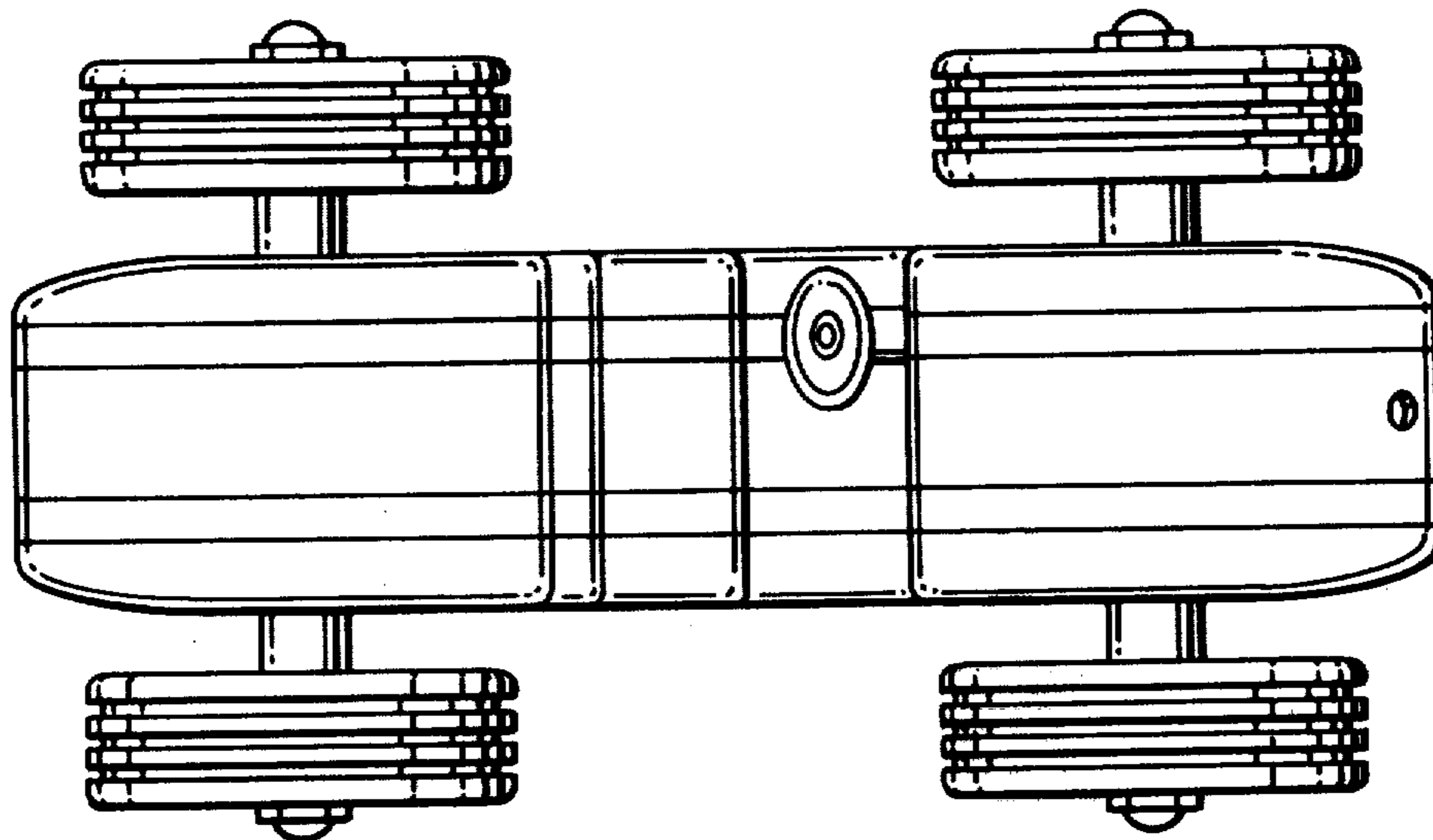
[57]

CLAIM

The ornamental design for a toy car, as shown and described.

DESCRIPTION

FIG. 1 is a top plan view of a toy car showing my new design;
FIG. 2 is a right side elevational view thereof, the side opposite being a mirror image; and,
FIG. 3 is a front elevational view thereof, the side opposite being a mirror image.



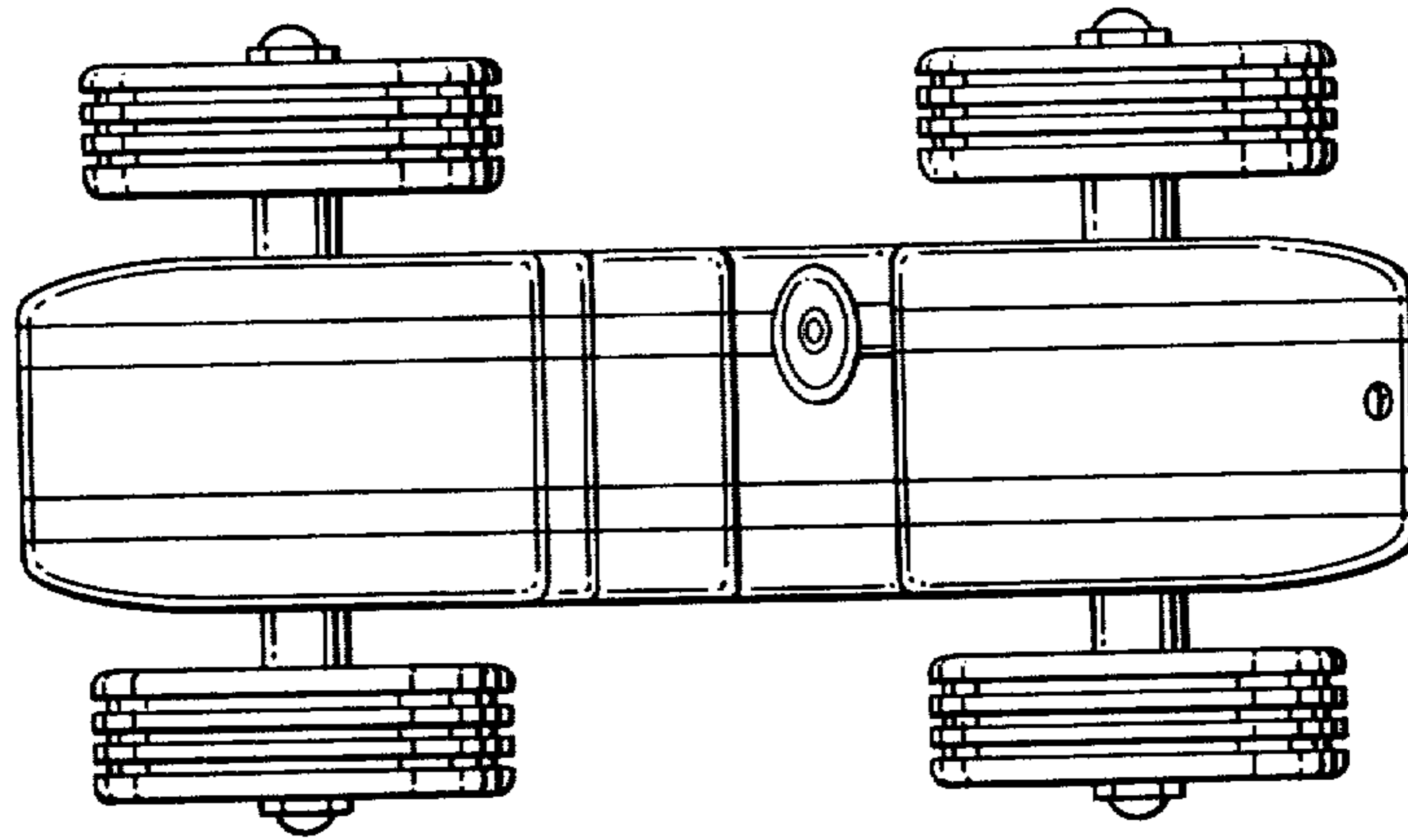


FIG. 1

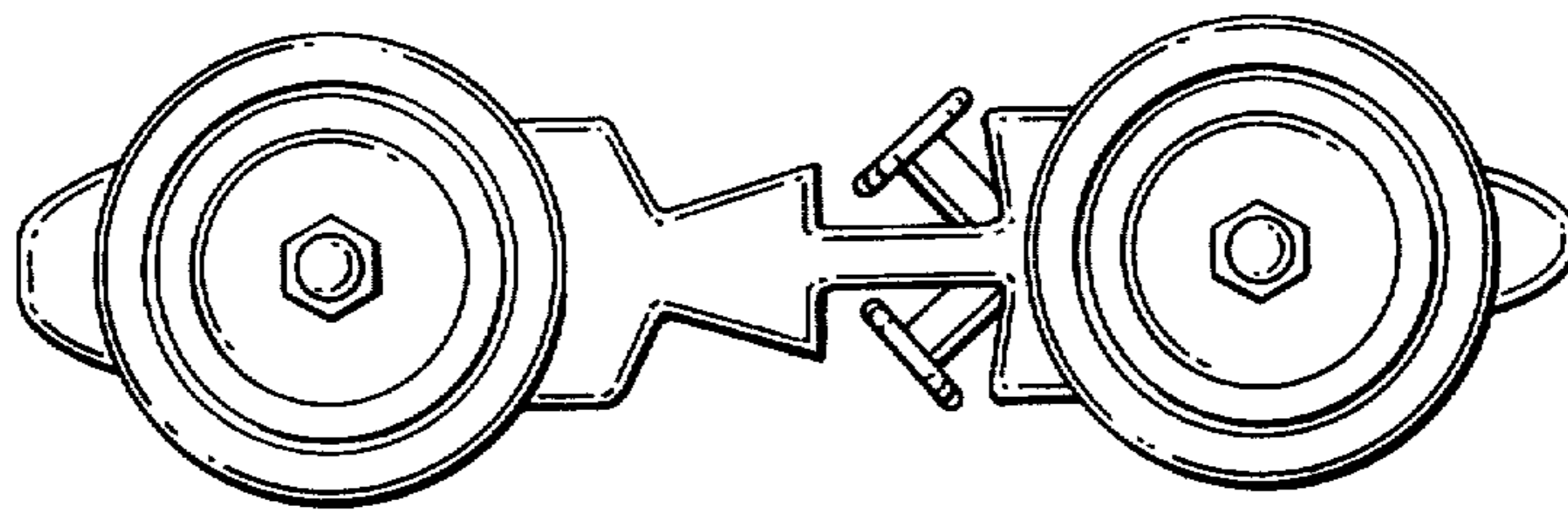


FIG. 2

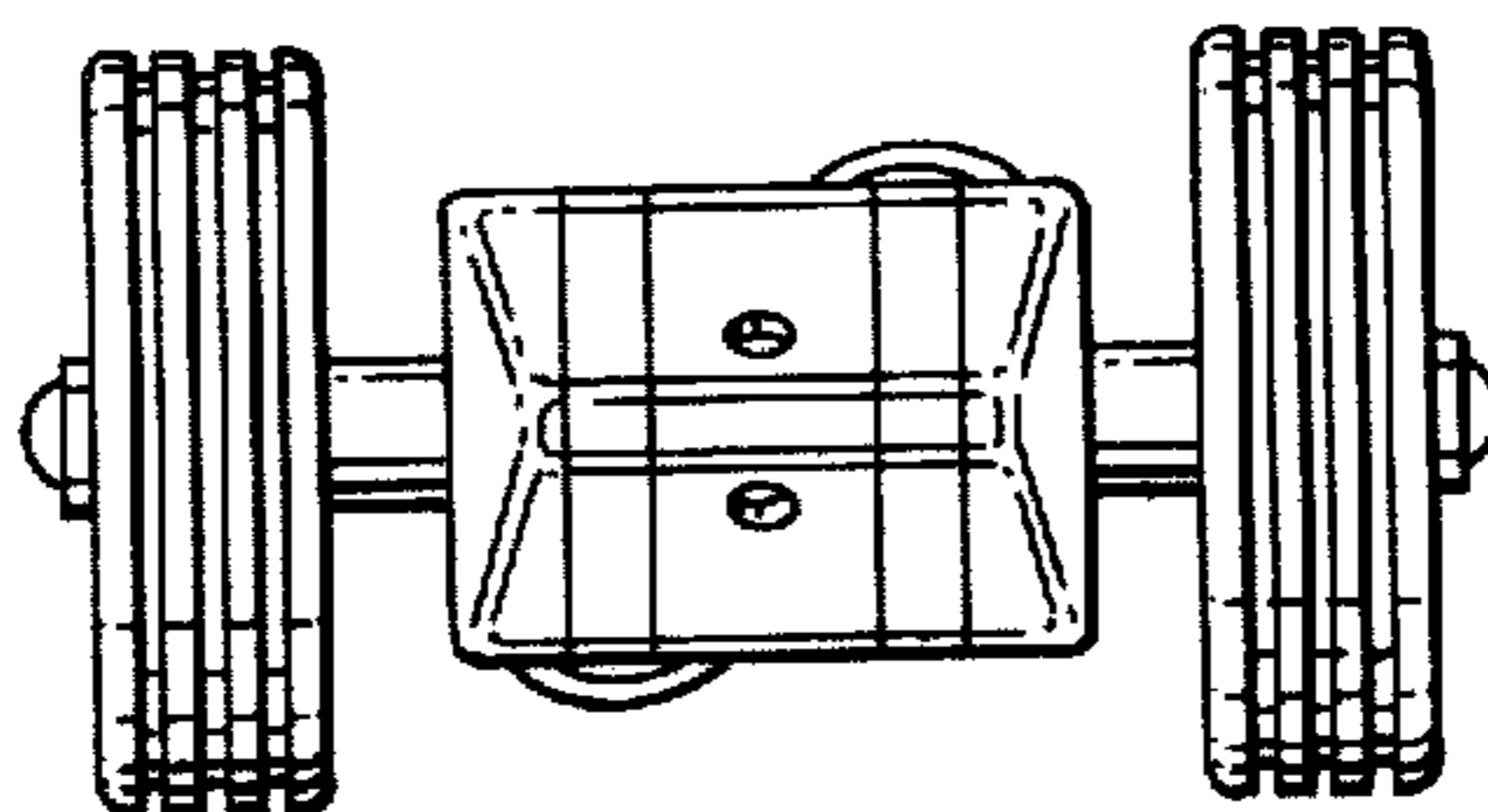


FIG. 3