

[54] SNOW THROWER

[75] Inventor: John W. Davies, III, Plymouth, Wis.

[73] Assignee: Gilson Brothers Company, Plymouth, Wis.

[**] Term: 14 Years

[21] Appl. No.: 33,457

[22] Filed: Apr. 26, 1979

[51] Int. Cl. D8-05

[52] U.S. Cl. D15/12

[58] Field of Search D15/11, 12; 37/43 R, 37/43 A, 43 B, 43 C, 43 D, 43 E, 43 H, 43 K

[56] References Cited PUBLICATIONS

Hardware Age, 8/78, p. 207, Lawn-Boy Snow Thrower, upper right side of page.

Hardware Age, 7/78, p. 179, Snow Thrower 31100-9, top right side of page.

Primary Examiner—James M. Gandy

[57] CLAIM

The ornamental design for a snow thrower, substantially as shown and described.

DESCRIPTION

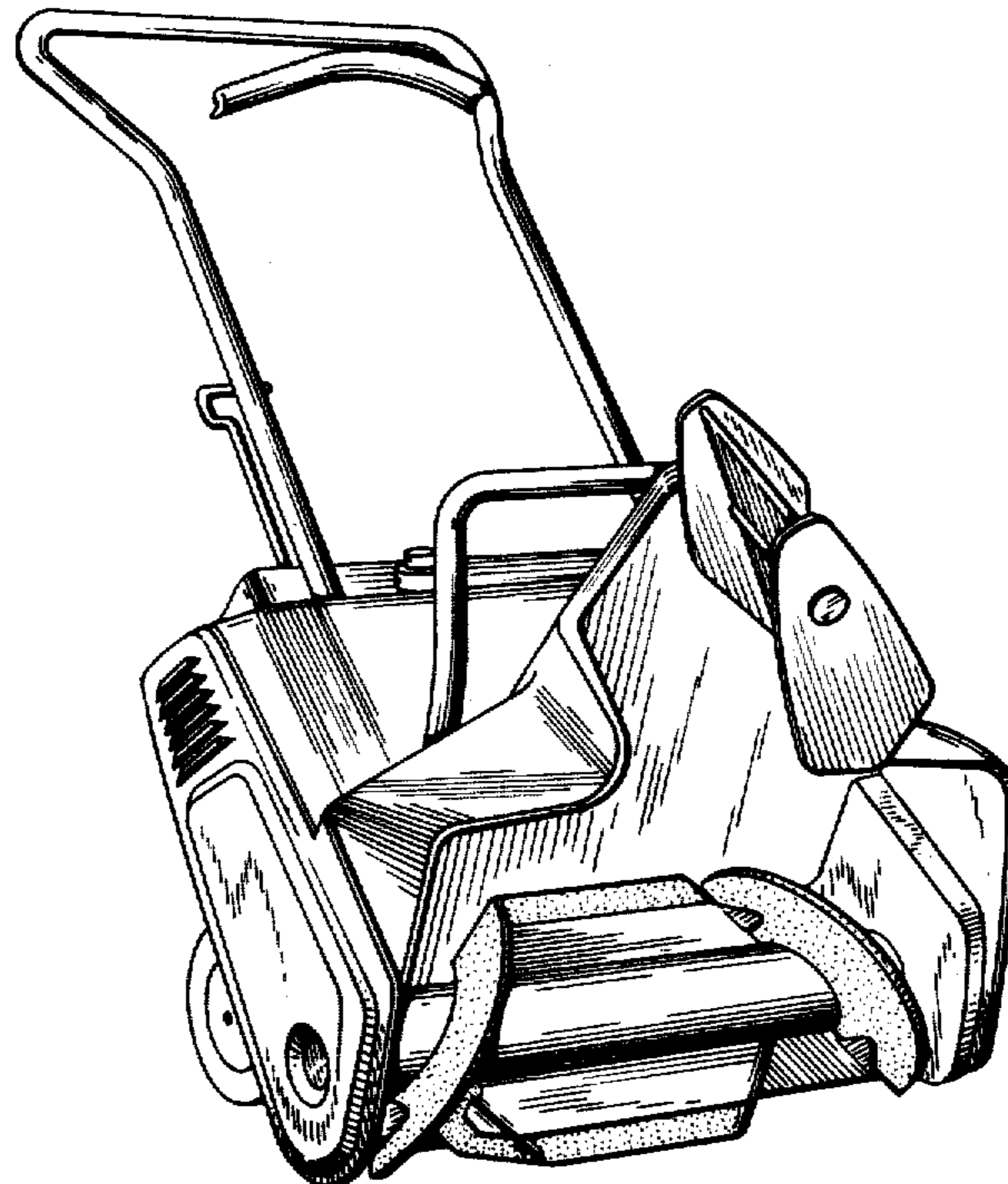
FIG. 1 is a front perspective view of a snow thrower showing my new design;

FIG. 2 is a side elevational view thereof;

FIG. 3 is a top plan view thereof; and

FIG. 4 is a rear elevational view thereof.

The handle has been broken in FIGS. 2, 3 and 4 for convenience of illustration.



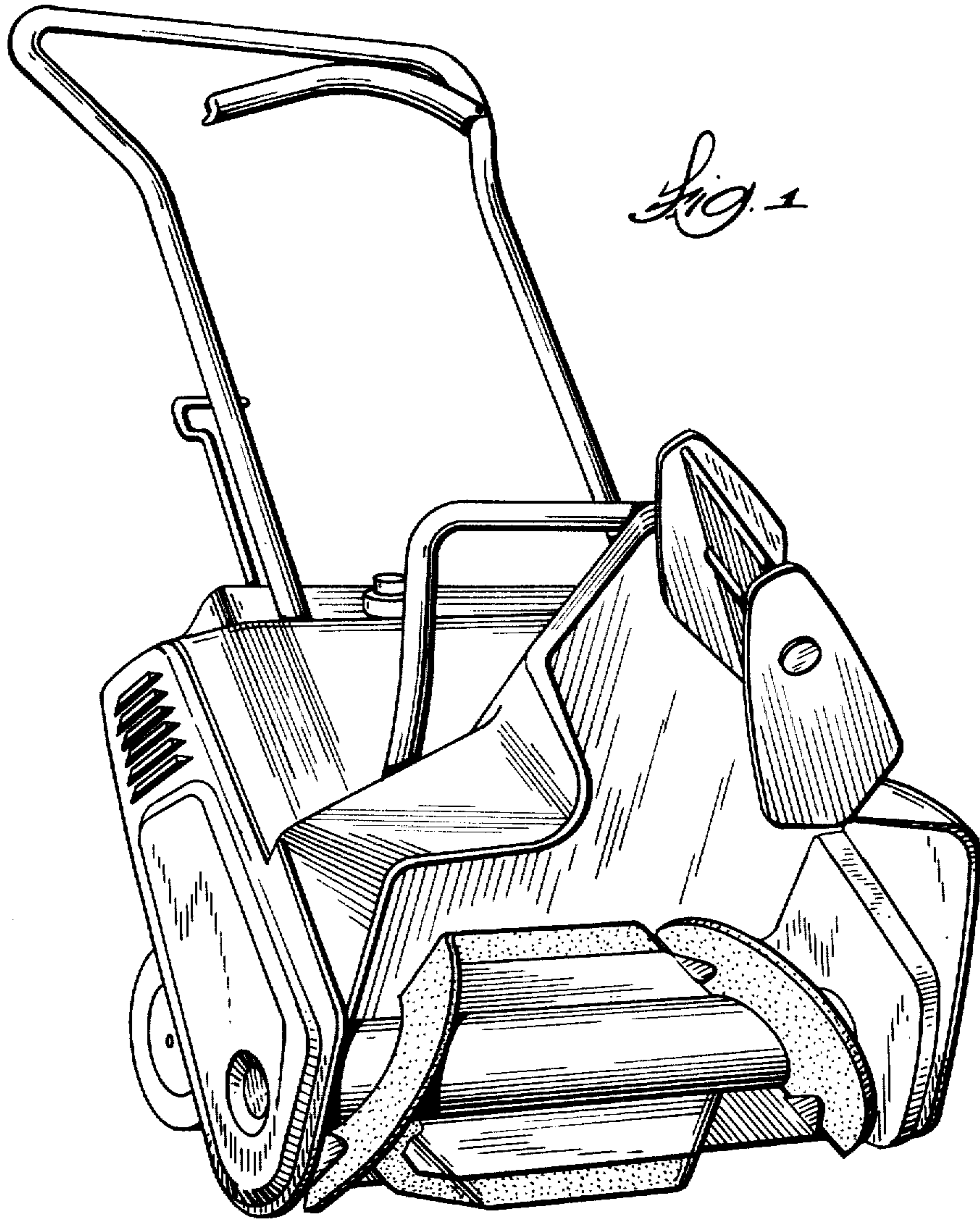


Fig. 1

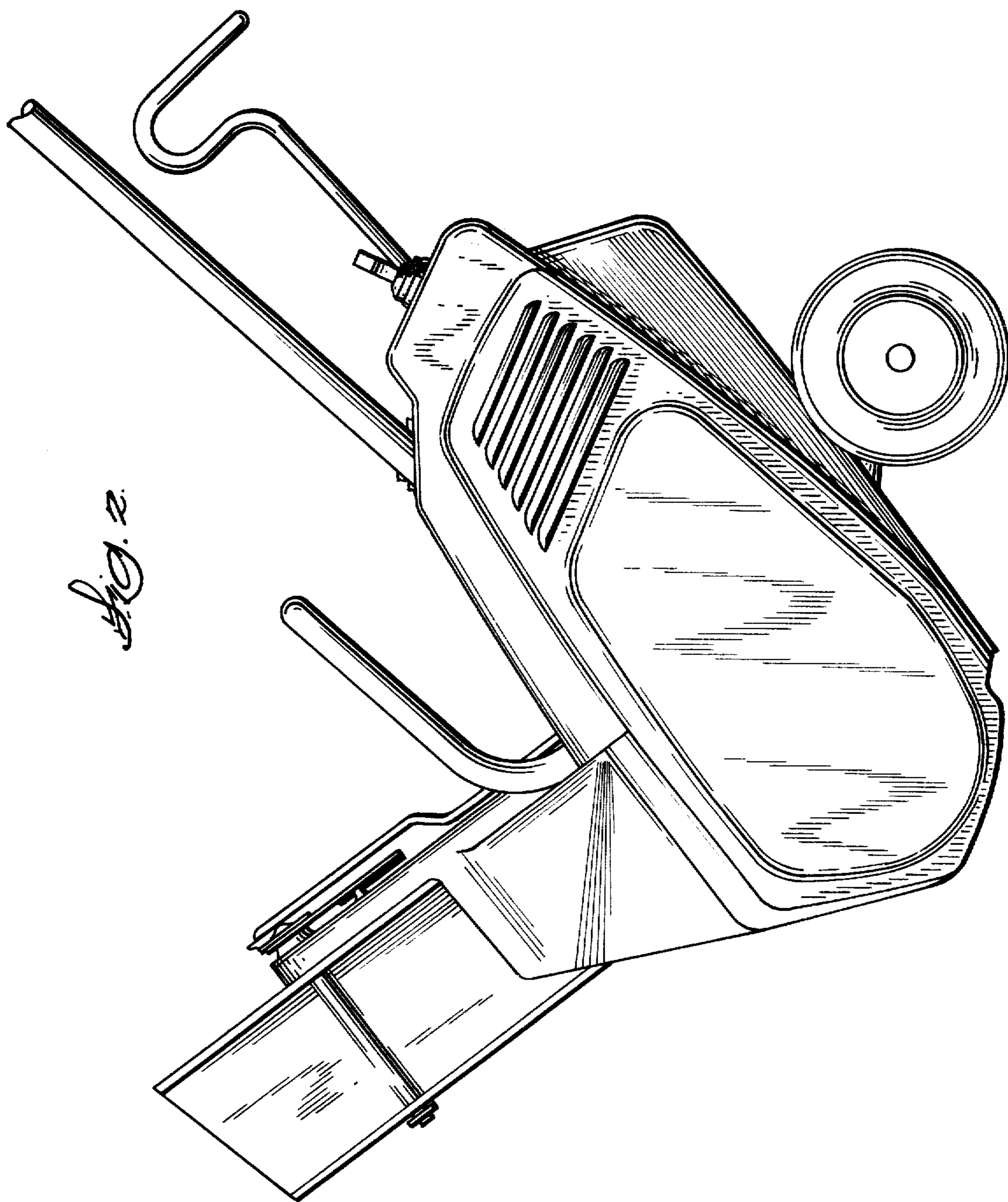


Fig. 2

