

[54] WINDMILL HEAD

[75] Inventor: Richard K. Sutz, Scottsdale, Ariz.

[73] Assignee: Wind Baron Corporation, Phoenix, Ariz.

[\*\*] Term: 14 Years

[21] Appl. No.: 311,528

[22] Filed: Oct. 15, 1981

[51] Int. Cl. .... D25-03

[52] U.S. Cl. .... D15/1

[58] Field of Search ..... D15/1; 416/9, 12, 117, 416/132 R, 132 B, 196 A, 197 A

[56] References Cited

U.S. PATENT DOCUMENTS

D. 122,433 9/1940 Edens ..... D15/1

FOREIGN PATENT DOCUMENTS

288054 4/1928 United Kingdom ..... 416/9

OTHER PUBLICATIONS

Wind Power for Your Home, p. 94, Acme Power Wind Mill.

Wind Power for Your Home, p. 101, "Annu-Oiled", Windmill.

Wind Power for Your Home, p. 103 "Aermotor", Windmill.

Primary Examiner—James M. Gandy

Attorney, Agent, or Firm—Jacob B. Burke

[57] CLAIM

The ornamental design for a windmill head, as shown and described.

DESCRIPTION

FIG. 1 is a perspective view of a windmill head showing my new design;

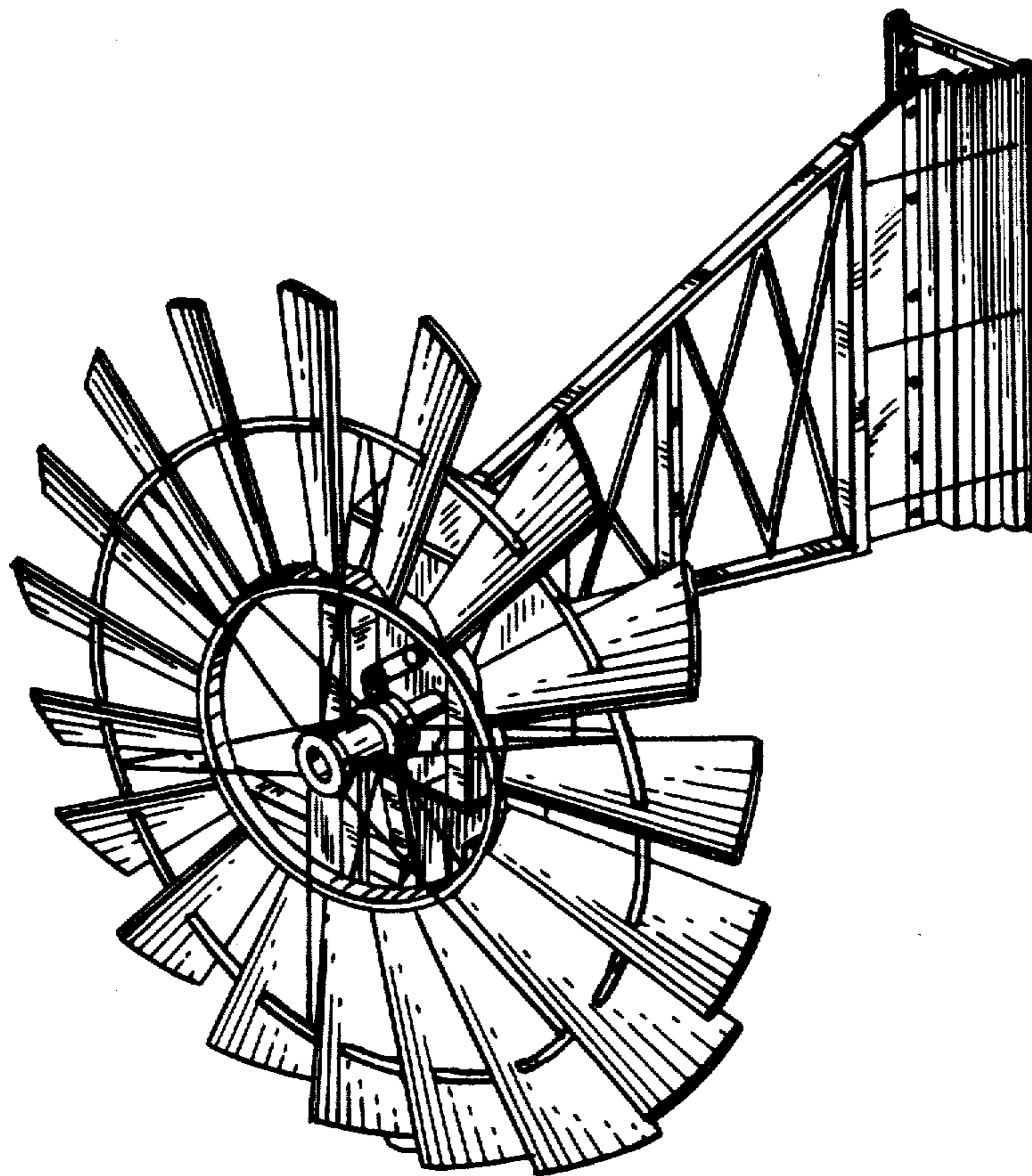
FIG. 2 is a front elevational view thereof on an enlarged scale;

FIG. 3 is a side elevational view of FIG. 2;

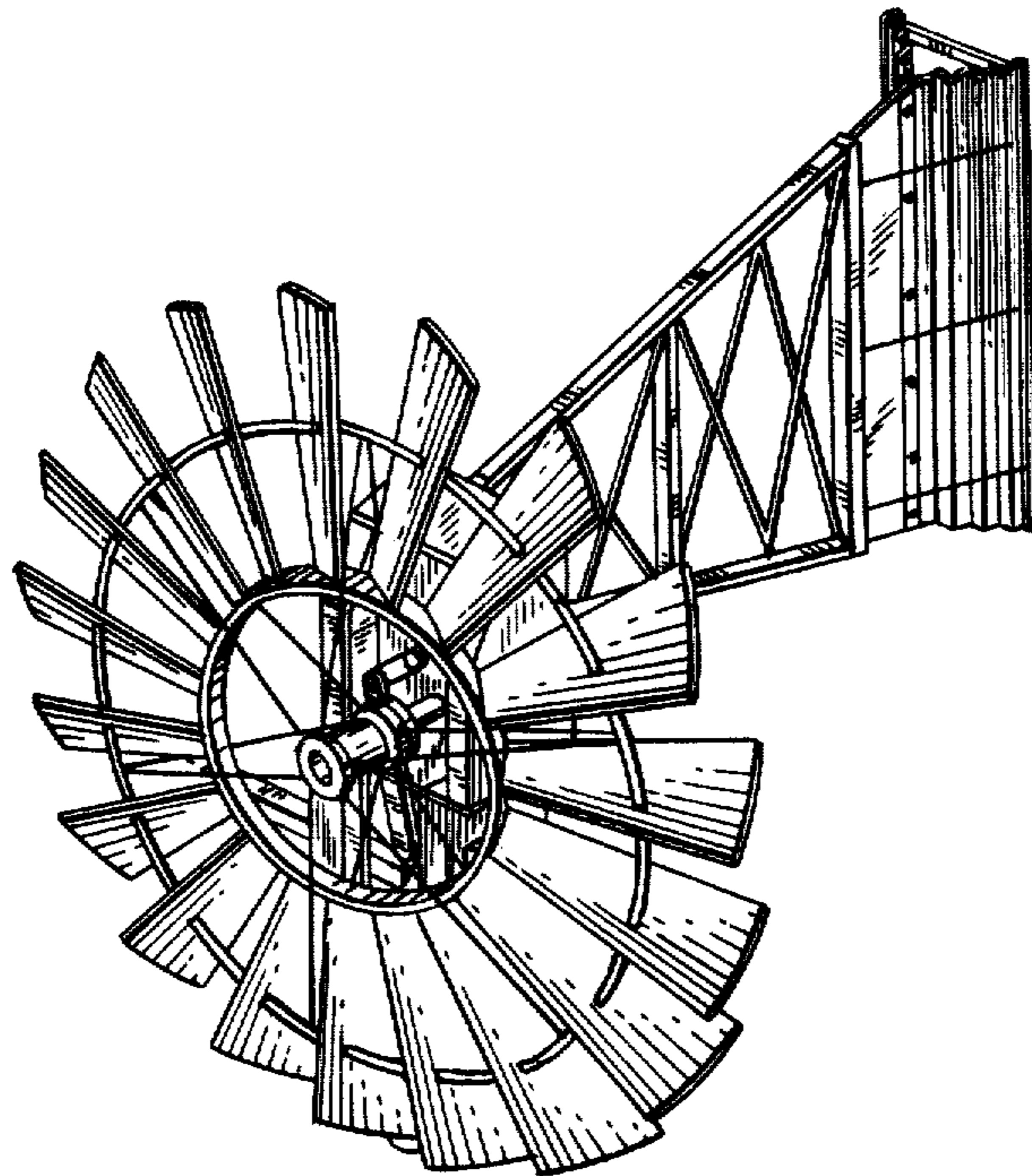
FIG. 4 is a bottom plan view of FIG. 2;

FIG. 5 is a rear elevational view of FIG. 2; and

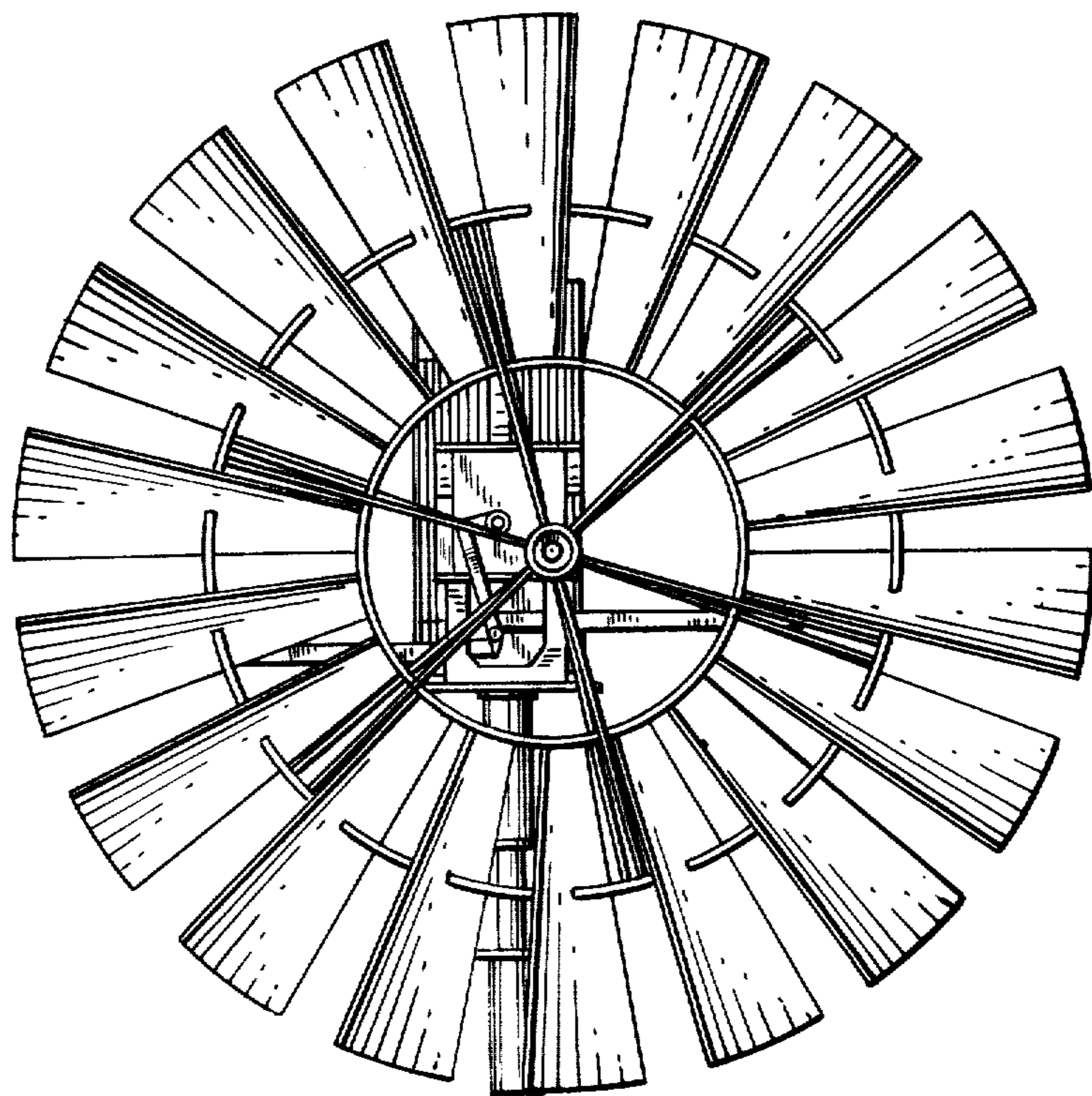
FIG. 6 is a side elevational view of a windmill head showing a second embodiment of my new design, the sole difference being in the shape of the rearwardly extending horizontal vane.



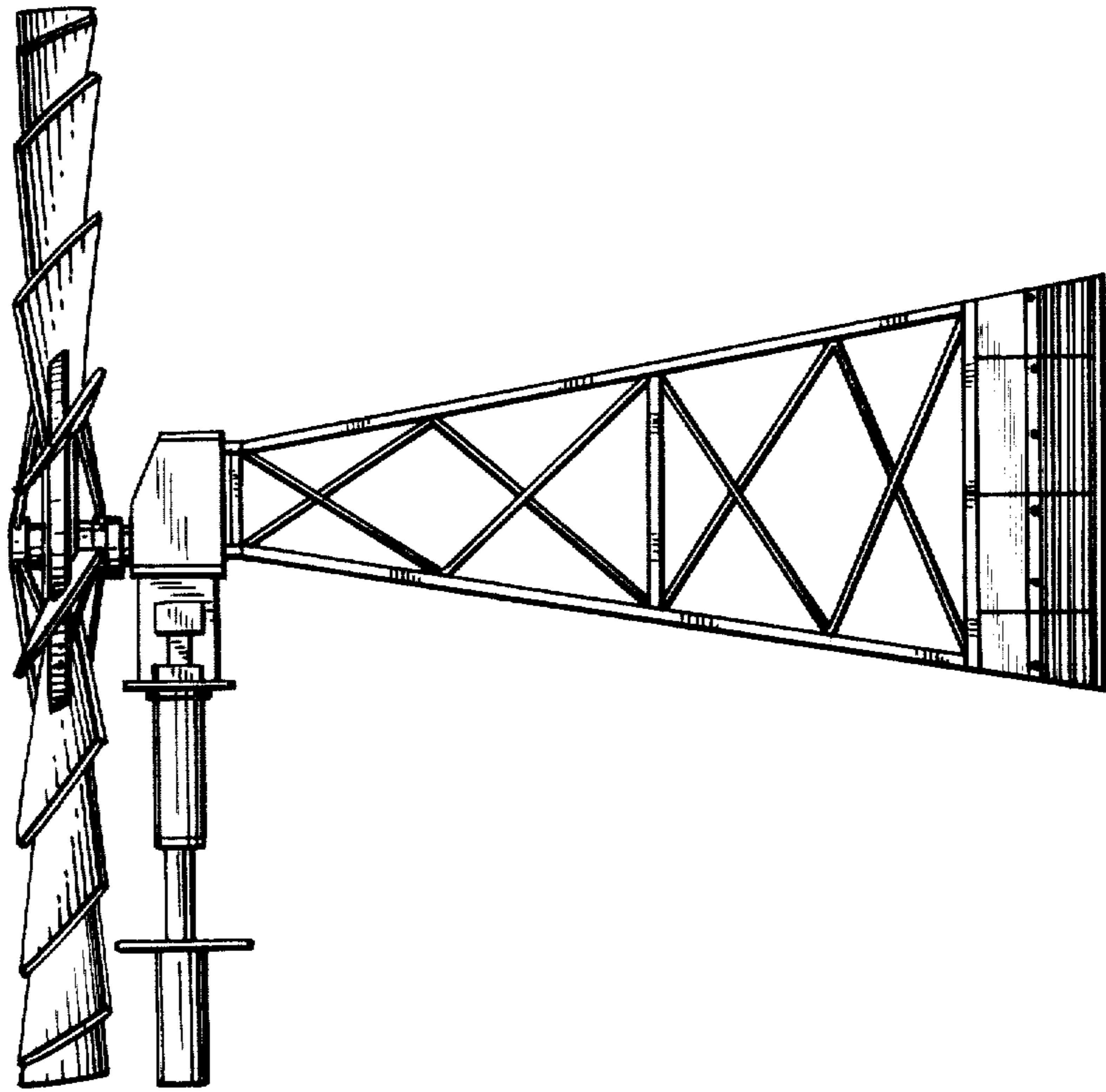
*FIG. 1*



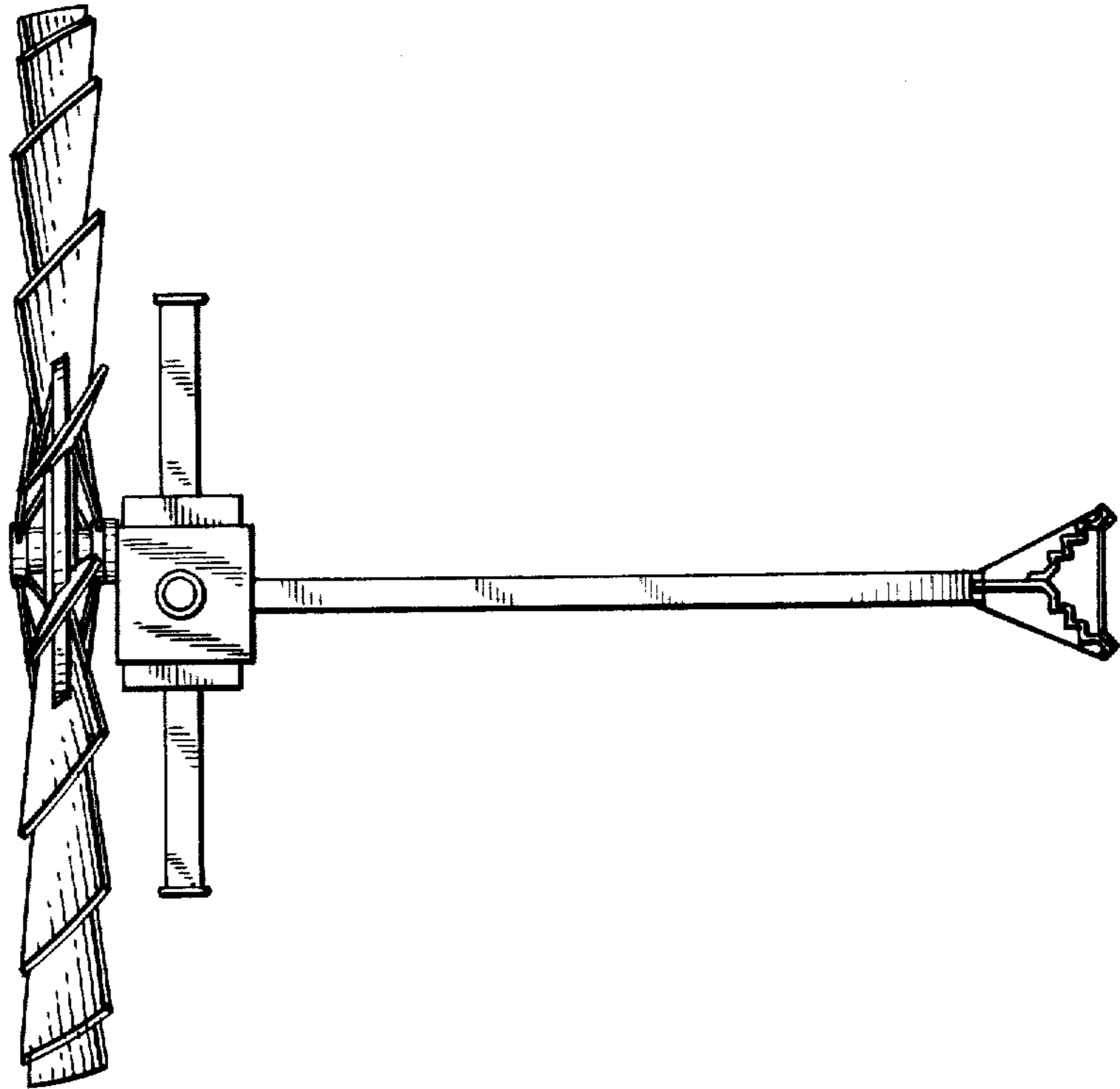
*FIG. 2*



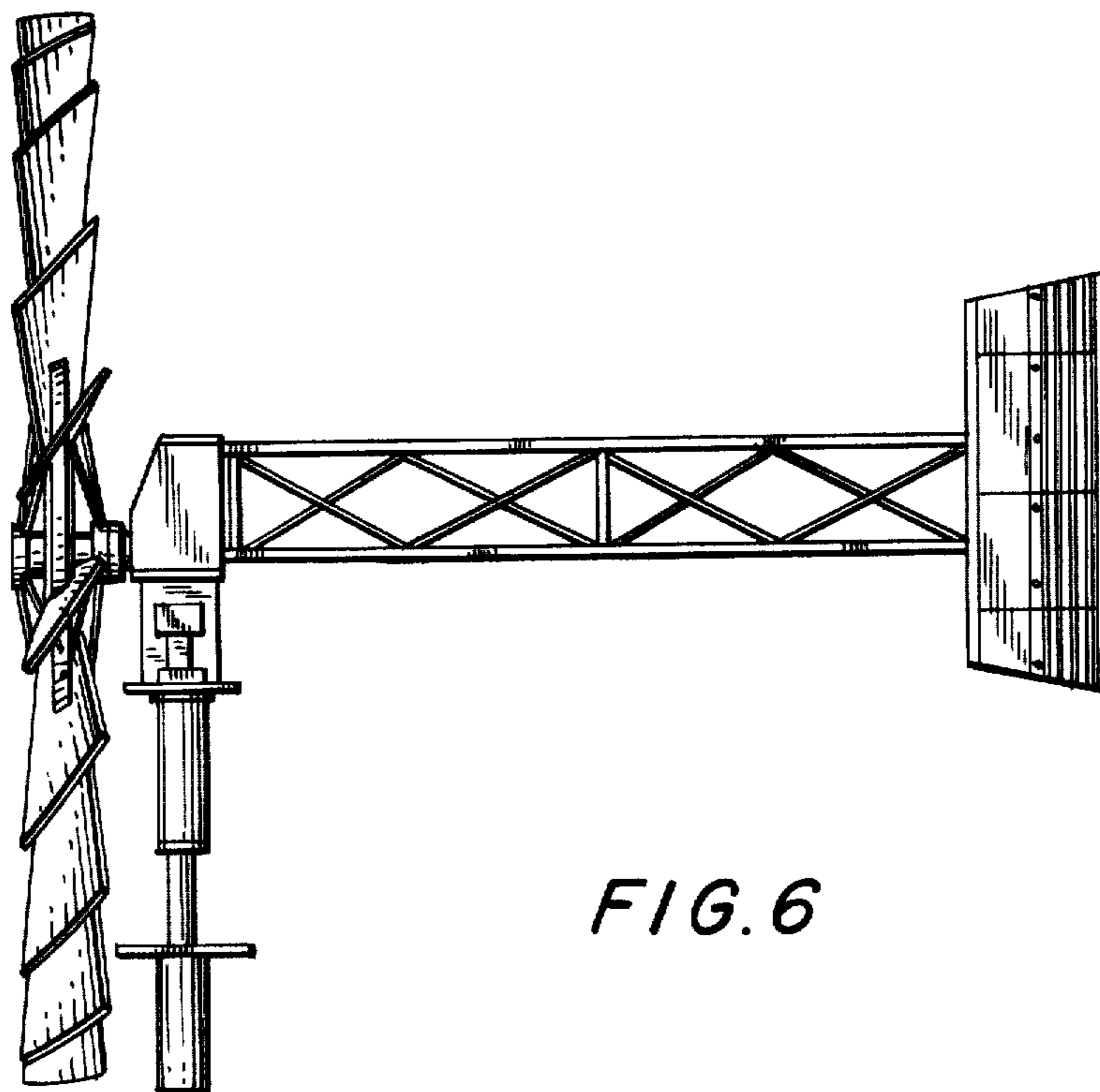
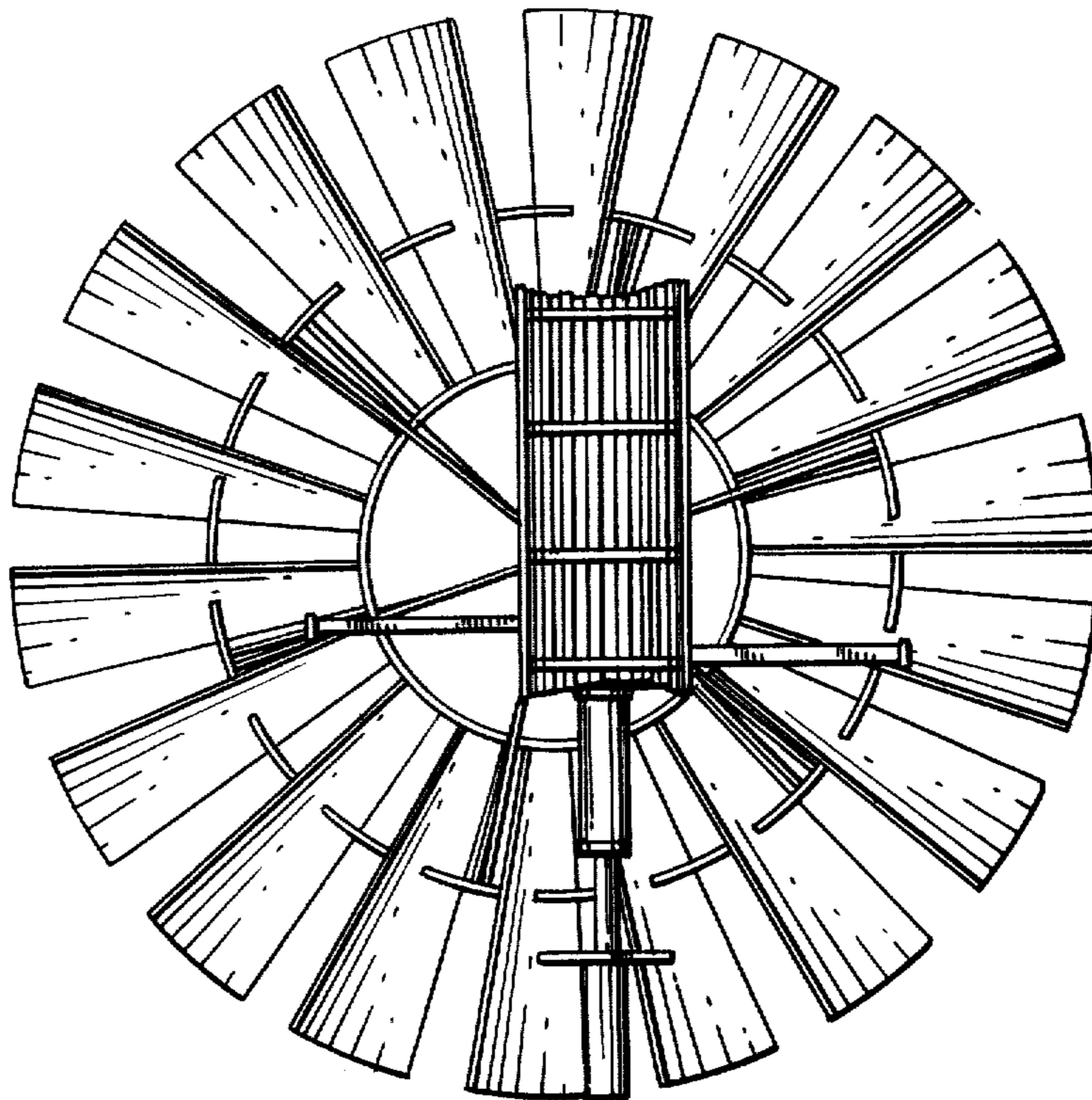
*FIG. 3*



*FIG. 4*



*FIG. 5*



*FIG. 6*