

[54] PORTABLE TRANSCEIVER OR SIMILAR ARTICLE

[75] Inventors: Donald M. Genaro, Haworth, N.J.; John N. McGarvey, Drexel Hill, Pa.; Daniel W. Tyler, Middletown, N.J.

[73] Assignee: Bell Telephone Laboratories, Incorporated, Murray Hill, N.J.

[**] Term: 14 Years

[21] Appl. No.: 213,679

[22] Filed: Dec. 5, 1980

[51] Int. Cl. D14-03

[52] U.S. Cl. D14/52; D14/68; D14/95; D14/92

[58] Field of Search D14/52, 92, 95, 68; 325/119, 492, 16, 355; 343/702; 455/89, 90, 128

[56] References Cited

U.S. PATENT DOCUMENTS

D. 198,032	4/1964	Leland	D14/95
D. 247,434	3/1978	Hampf	D14/52
D. 248,759	8/1978	Eckmann et al.	D14/68
D. 264,080	4/1982	Iwata	D14/95 X
D. 264,845	6/1982	Hellwig	D14/95 X
2,702,604	2/1955	Hocks et al.	343/702
3,693,089	9/1972	Hutchinson et al.	325/119

Primary Examiner—Bernard Ansher
Attorney, Agent, or Firm—H. L. Newman

[57] CLAIM

The ornamental design for a portable transceiver or similar article, substantially as shown and described.

DESCRIPTION

FIG. 1 is a perspective view of a portable transceiver or similar article showing our new design;
FIG. 2 is a rear perspective view, viewed from above and to the right side thereof;
FIG. 3 is a right side perspective view from above, the left side being a mirror image of the side shown;
FIG. 4 is a top plan view thereof; and
FIG. 5 is a rear elevation view thereof.

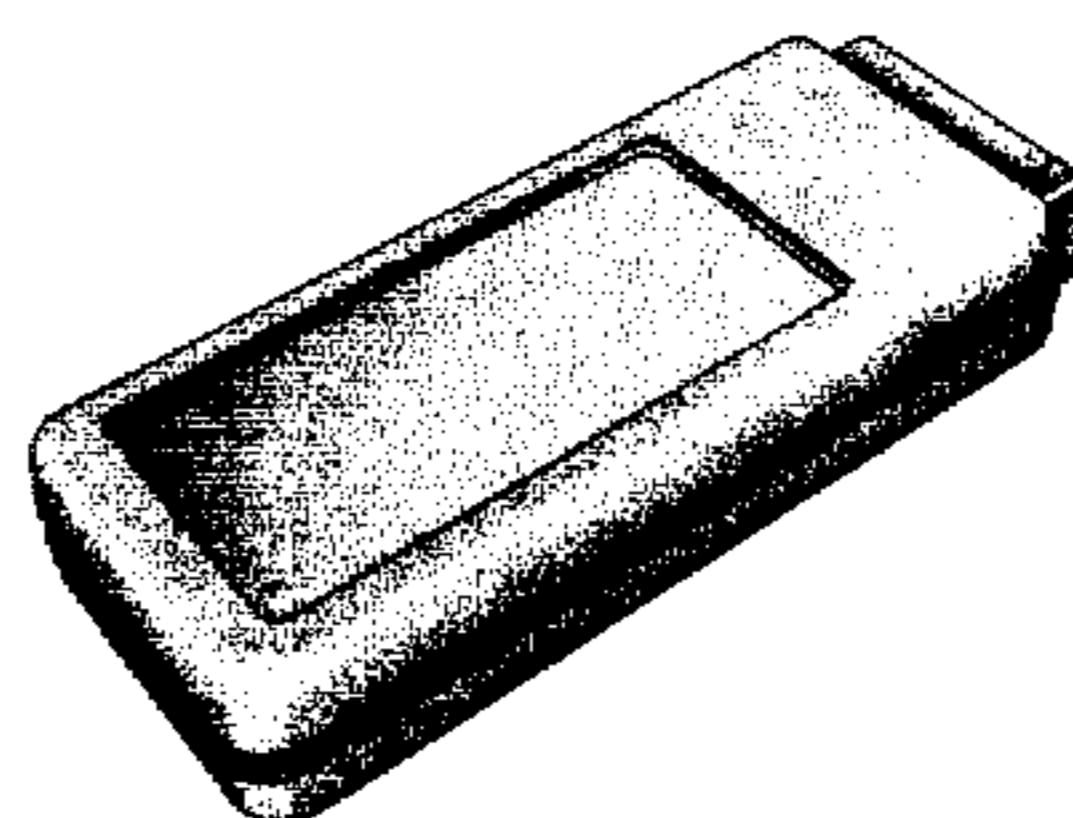


FIG. 1

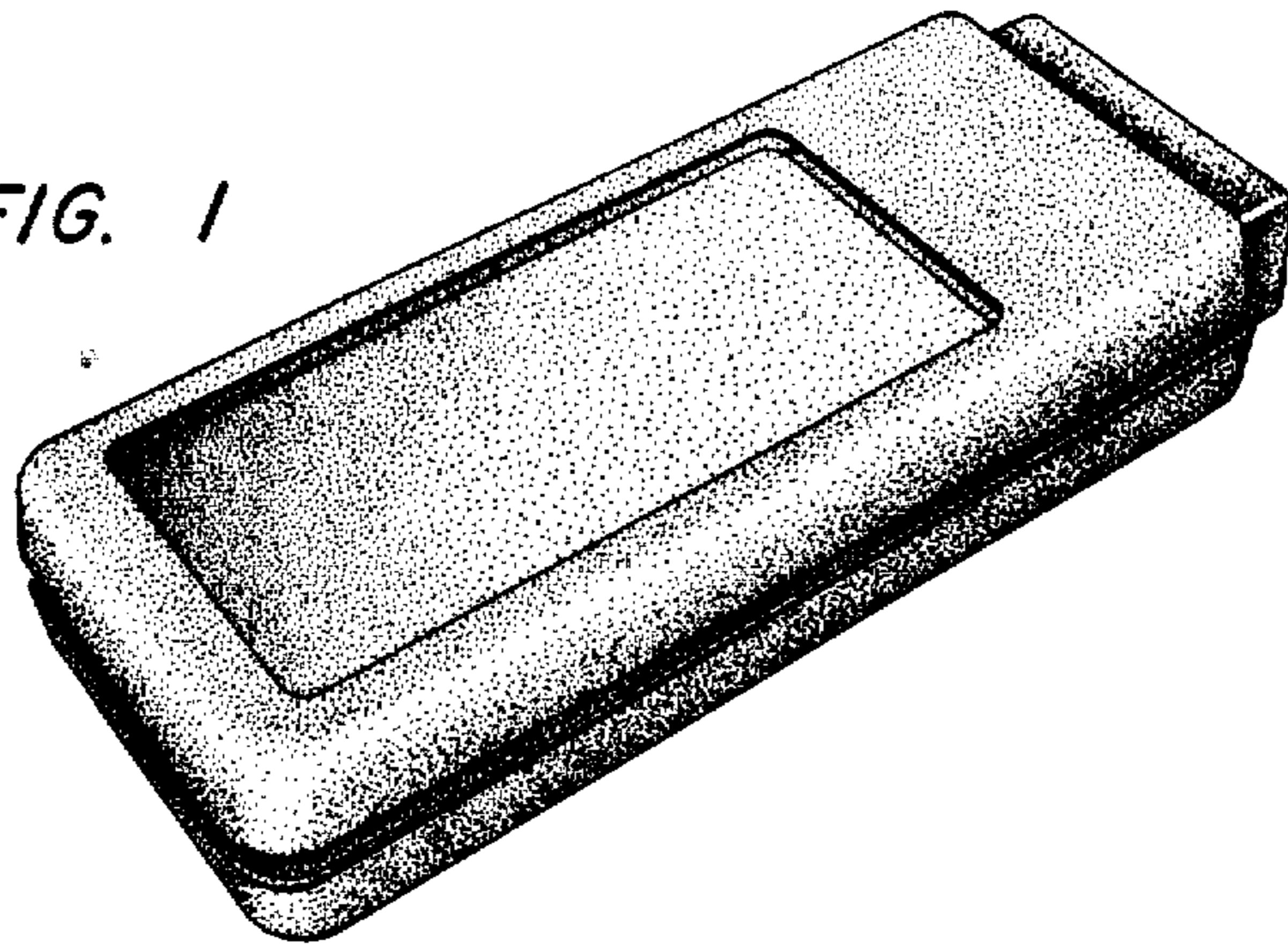


FIG. 2

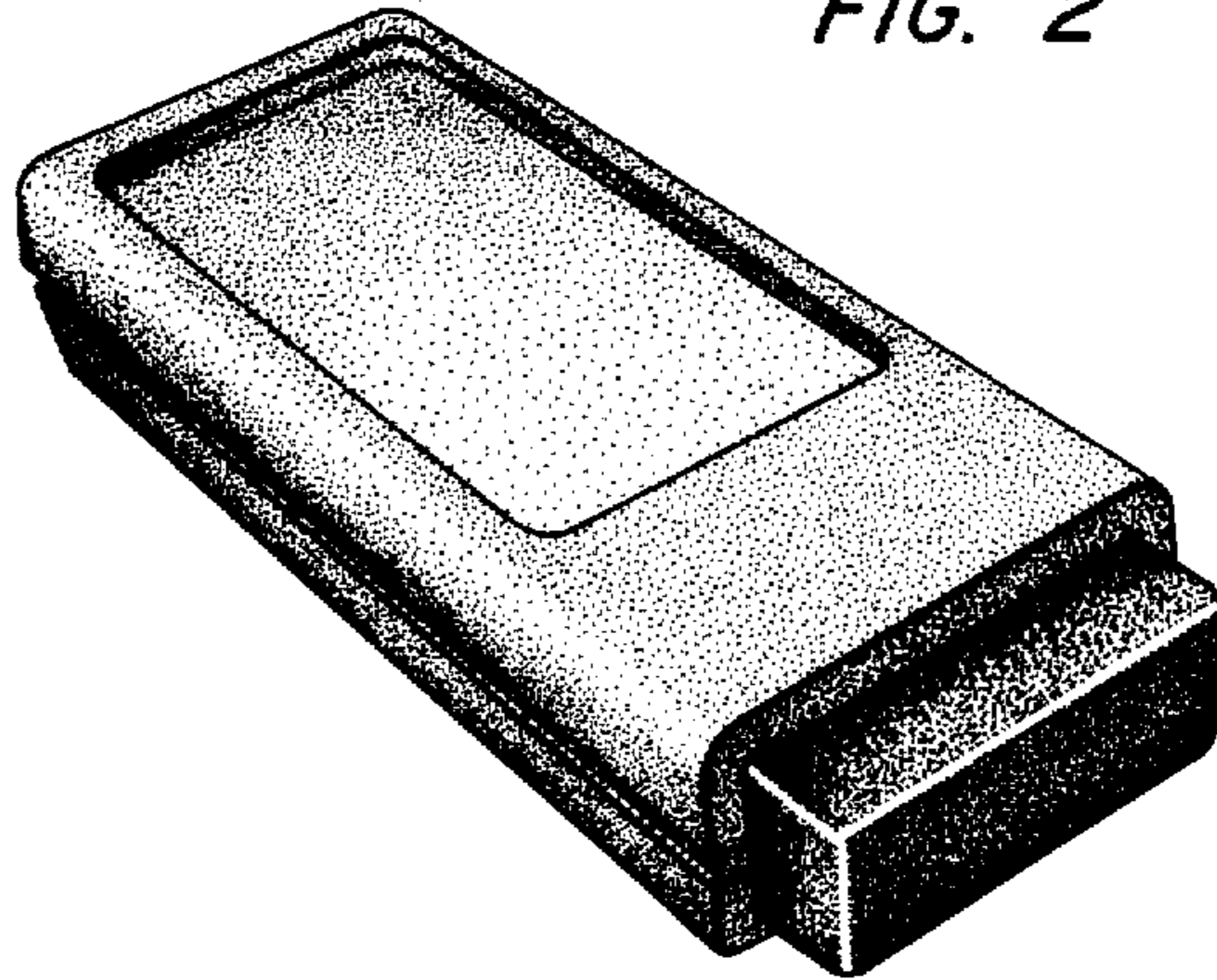


FIG. 3

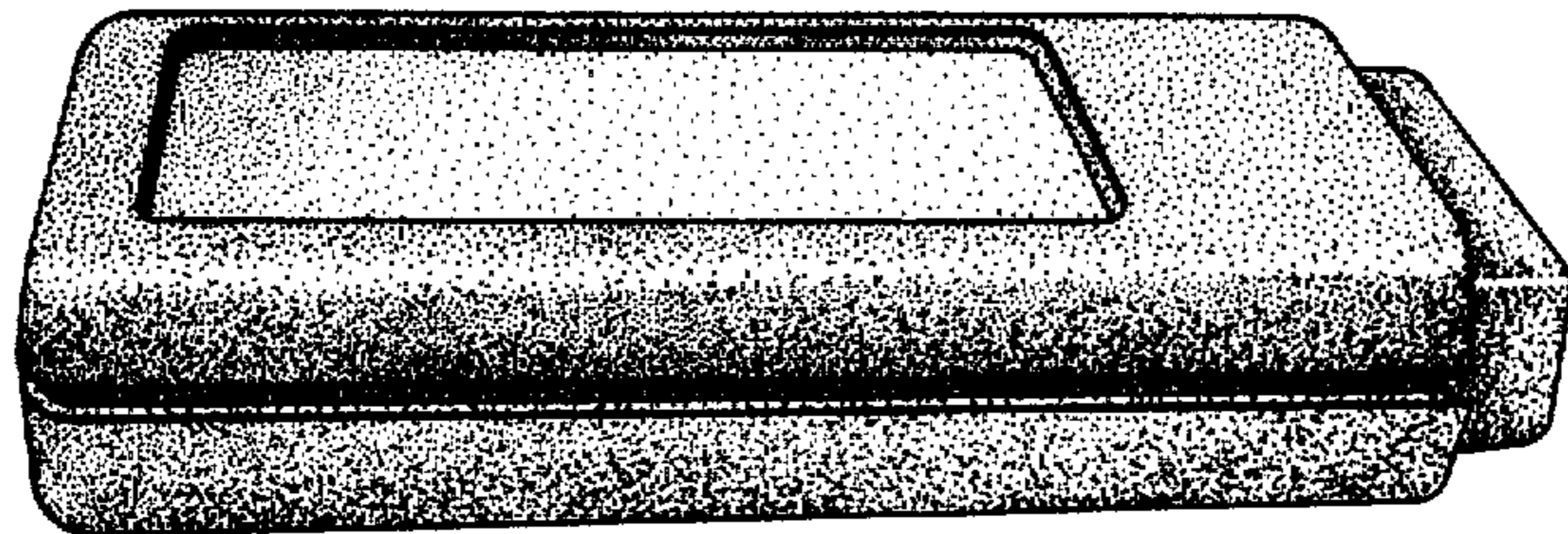


FIG. 4

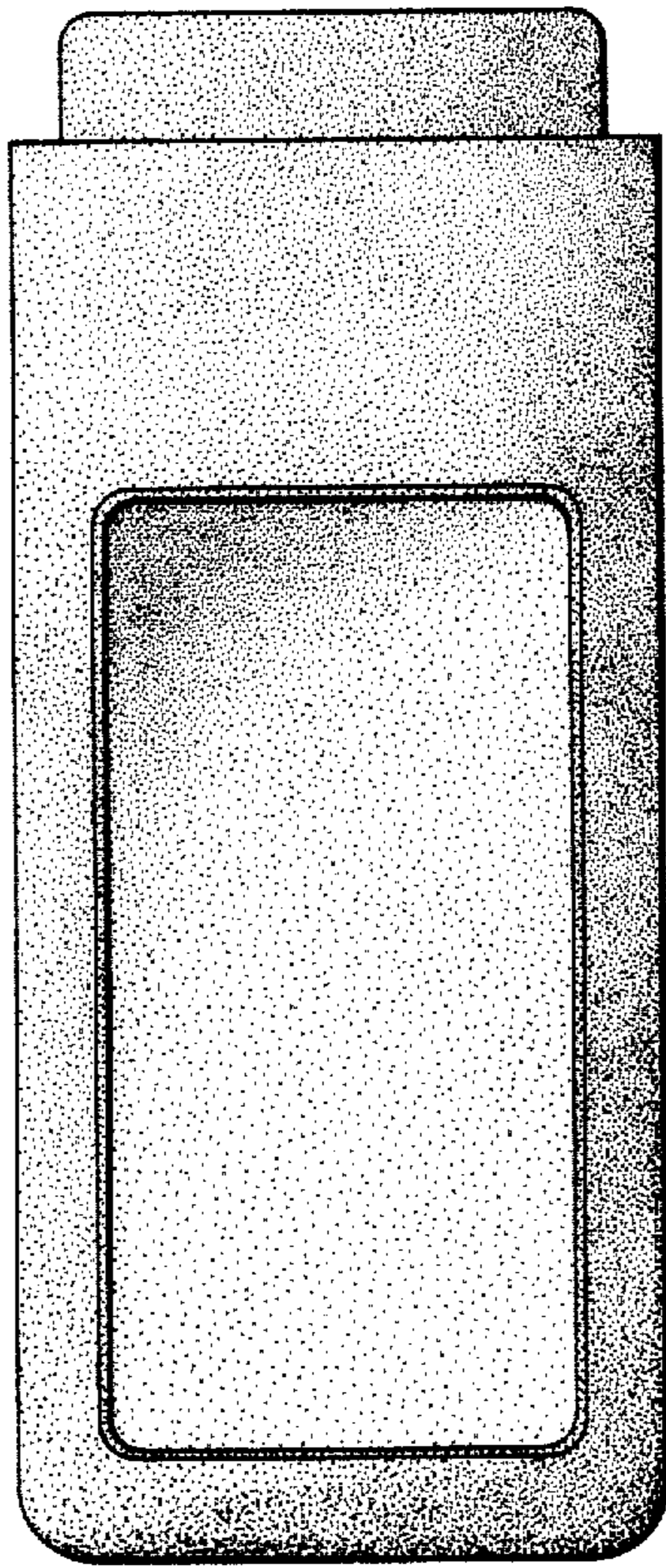


FIG. 5

