

[54] TACKLE BOX HOLDER

[76] Inventors: Arthur J. Mondak, 7142 Big Creek Pkwy.; William J. Mondak, 7335 Engle Rd., both of Middleburg Heights, Ohio 44130

[\*\*] Term: 14 Years

[21] Appl. No.: 210,833

[22] Filed: Nov. 26, 1980

[51] Int. Cl. .... D12-16

[52] U.S. Cl. .... D12/317; D12/157

[58] Field of Search .... D12/155, 157, 317; 224/321, 322, 323

[56] References Cited

U.S. PATENT DOCUMENTS

D. 257,030 9/1980 Hutmacher ..... D12/317

D. 259,715 6/1981 Melilli ..... D12/157

Primary Examiner—Alan P. Douglas  
Attorney, Agent, or Firm—Pearne, Gordon, Sessions,  
McCoy, Granger & Tilberry

[57] CLAIM

The ornamental design for a tackle box holder, as shown.

DESCRIPTION

FIG. 1 is a perspective view of a tackle box holder embodying my new design, the holder being mounted to a boat seat and supporting tackle boxes which are shown in phantom outline for illustrative purposes only. FIG. 2 is a plan view. FIG. 3 is a front elevational view. FIG. 4 is a bottom plan view. FIG. 5 is a side elevational view as viewed from the line 5-5 in FIG. 3.

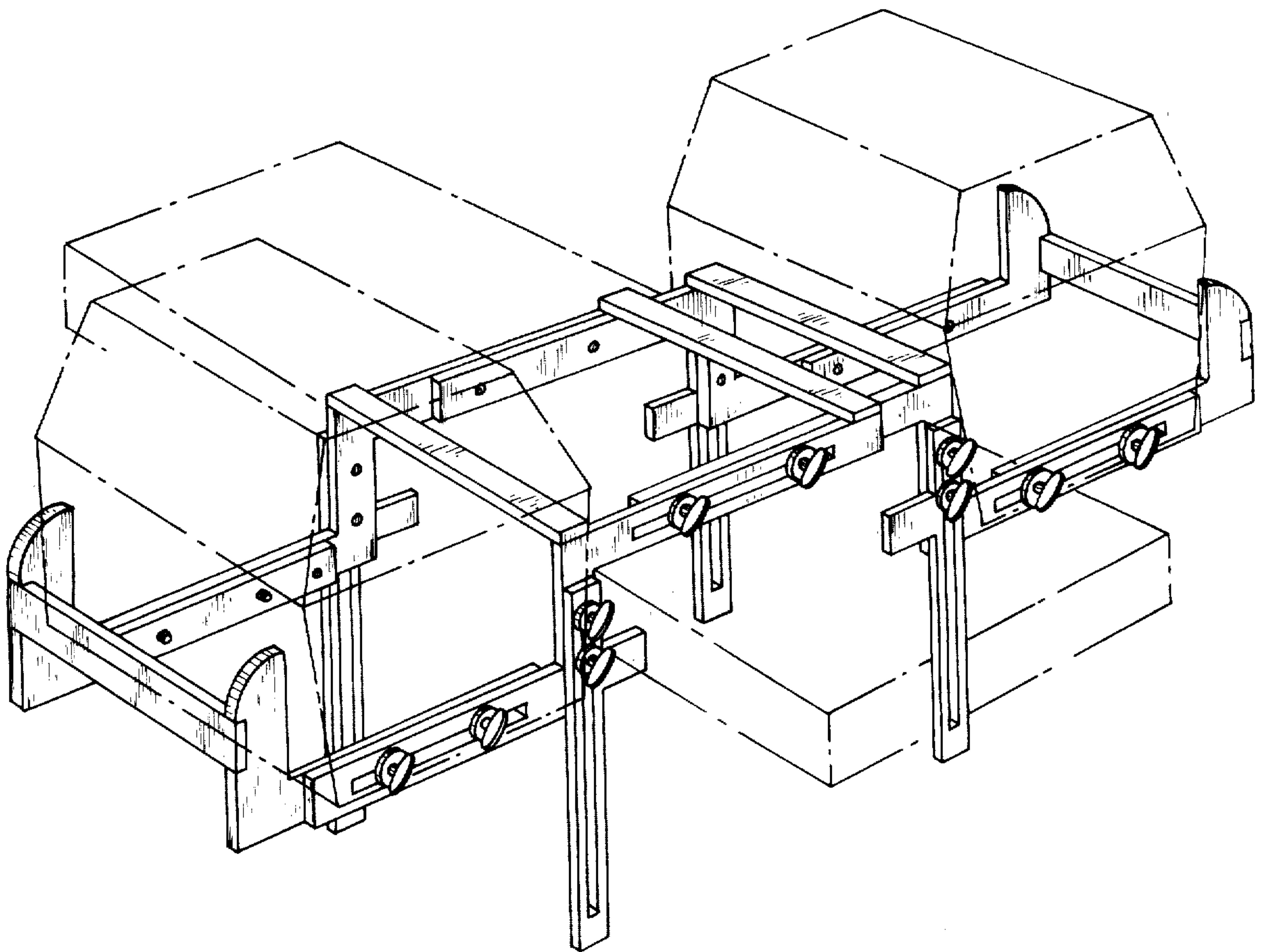


FIG. 1

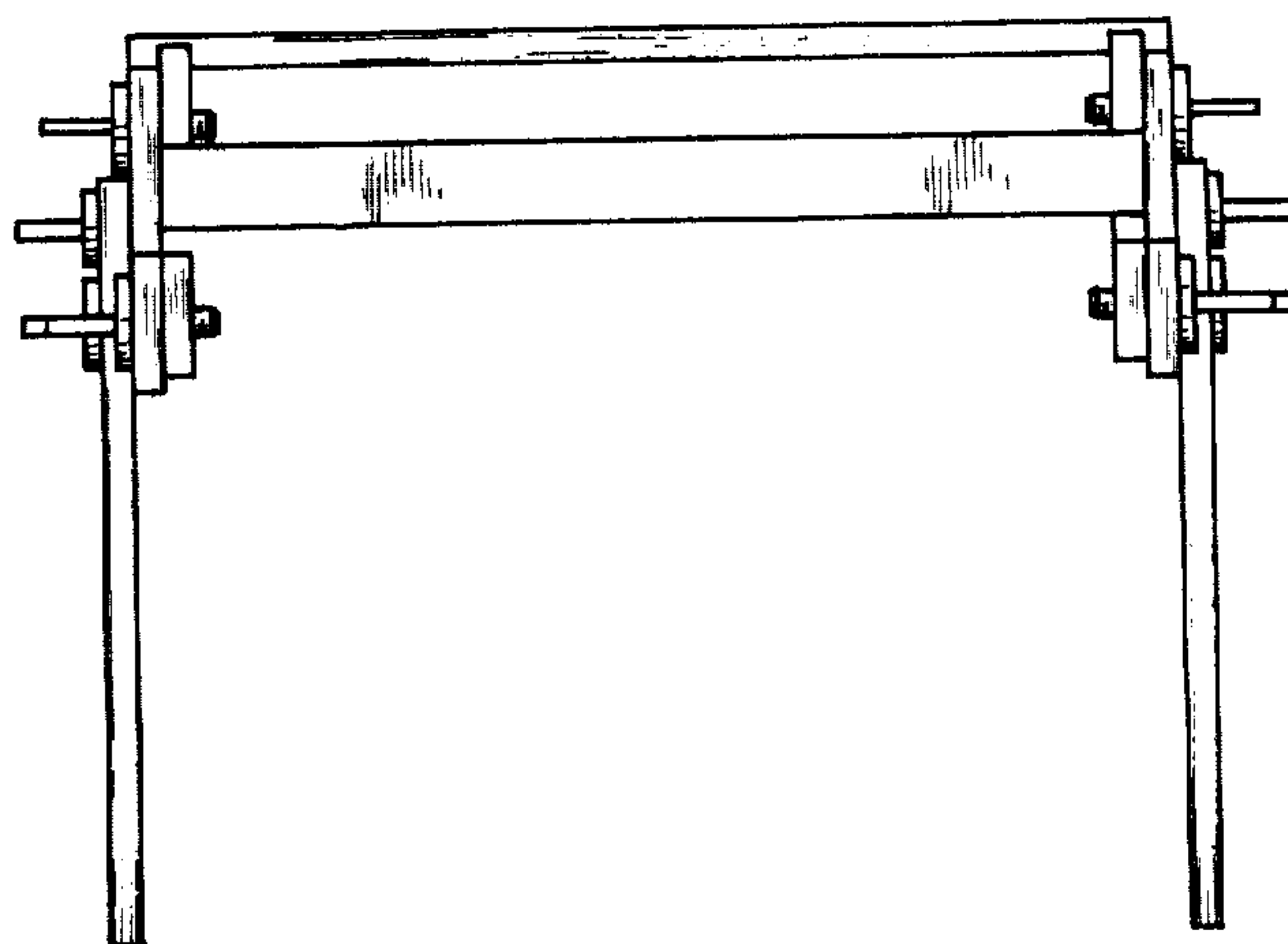
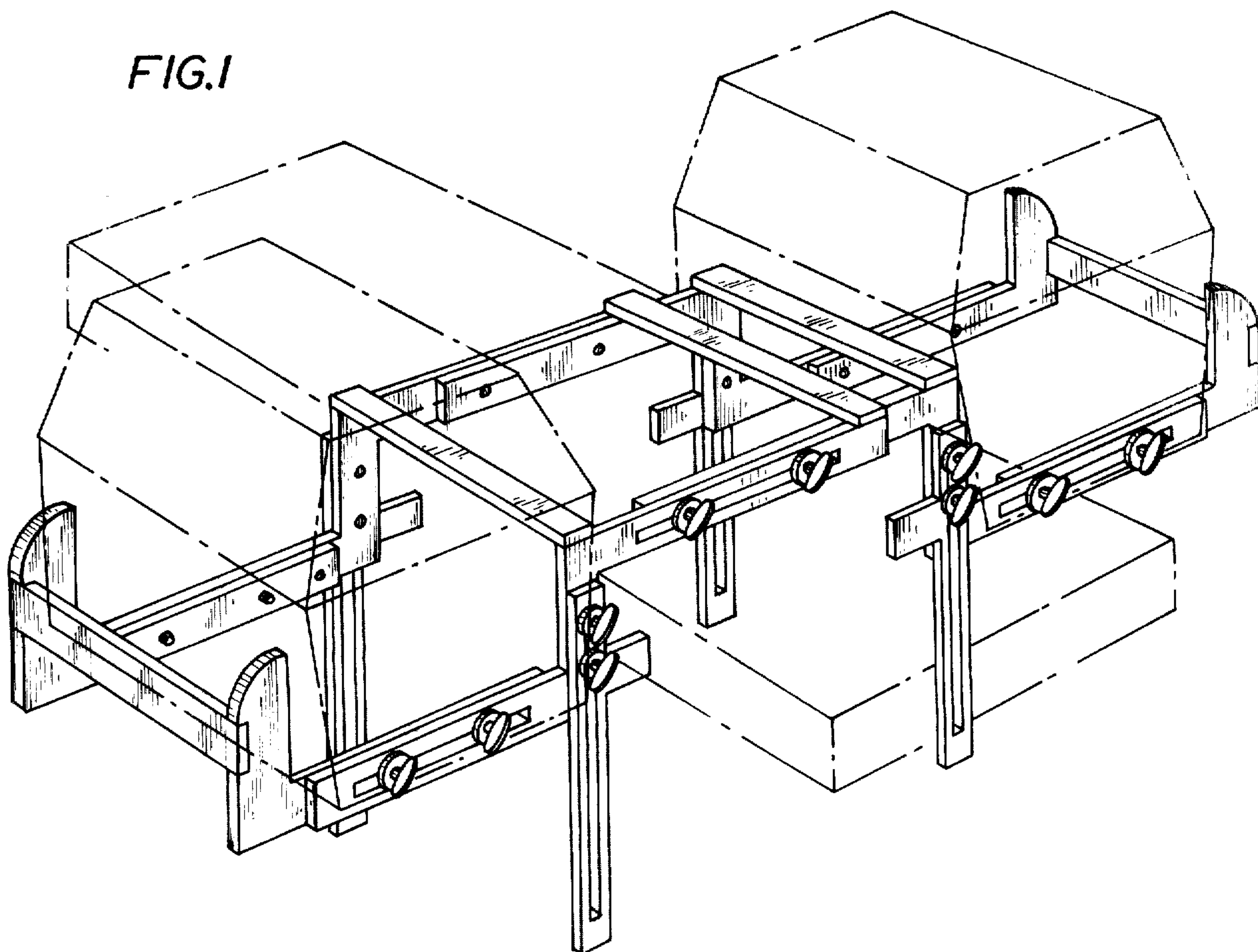


FIG. 5

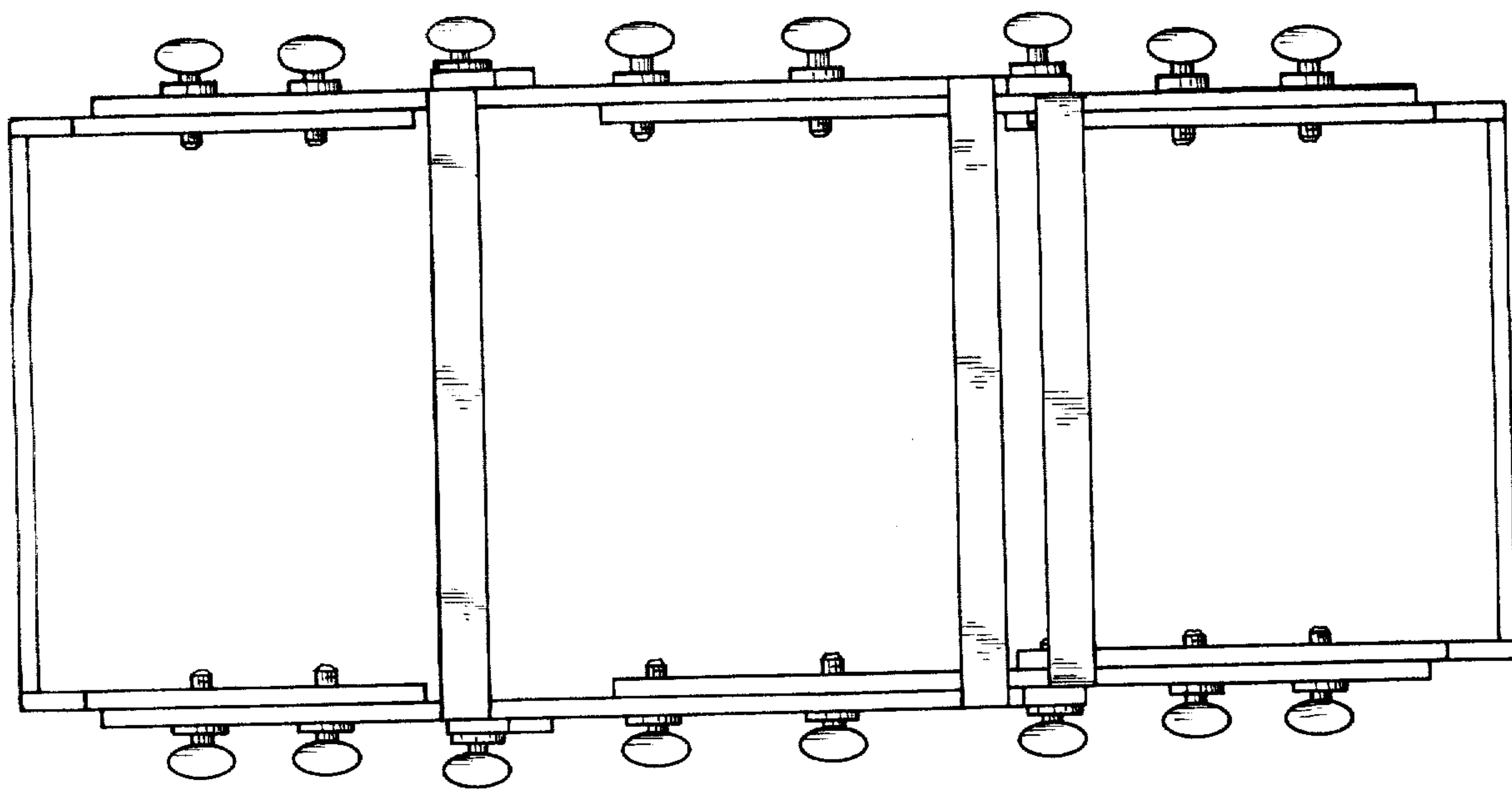


FIG. 2

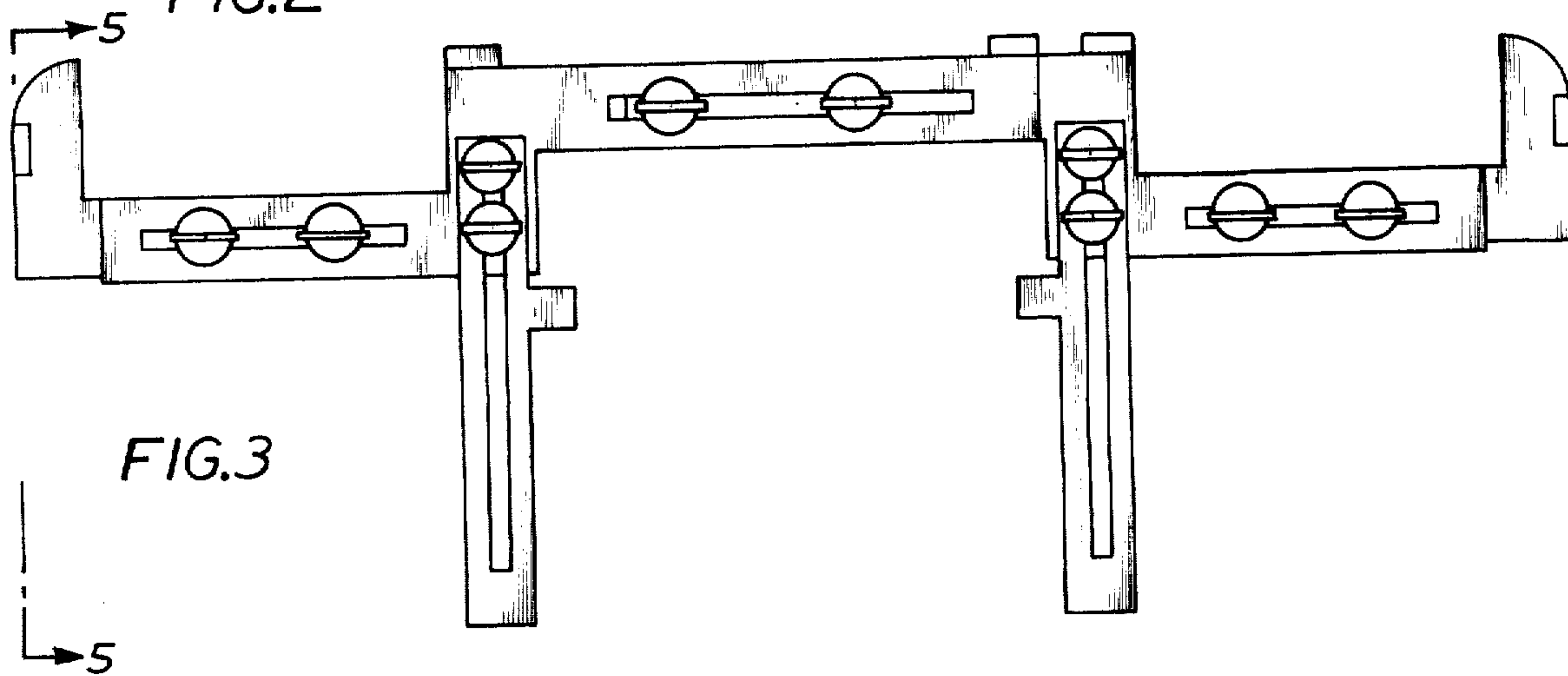


FIG. 3

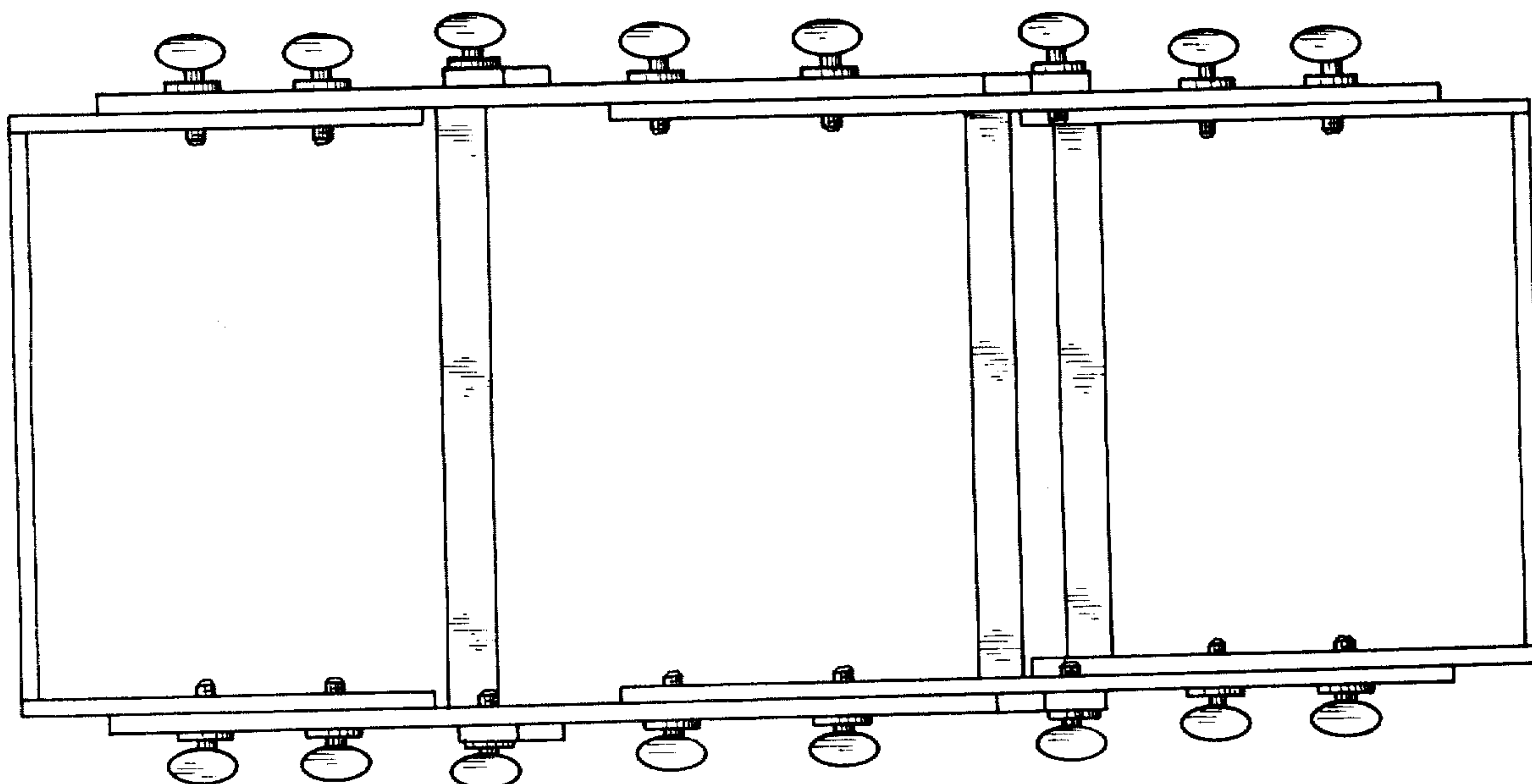


FIG. 4