

[54] AMPHIBIOUS TRUCK

[75] Inventor: Maxwell J. Fripp, Romsey, England

[73] Assignee: Westland Aircraft plc, Yeovil, England

[**] Term: 14 Years

[21] Appl. No.: 167,440

[22] Filed: Jul. 9, 1980

[51] Int. Cl. D12-08

[52] U.S. Cl. D12/3; D12/98

[58] Field of Search D12/3, 98, 93; D21/134; 180/233, 89.1, 20; 296/183

[56] References Cited

PUBLICATIONS

Electrical World, 5/15/72, p. 92, Air-Bag Vehicle.

Implement & Tractor; 5/21/67, p. 24, Vehicle, bottom of page.

Commercial Car Journal, 4/59, p. 348, Platform Truck, top left side of page.

Commercial Car Journal, 6/53, p. 174, Cargo Truck, top of page.

Primary Examiner—James M. Gandy
Attorney, Agent, or Firm—Larson and Taylor

[57] CLAIM

The ornamental design for an amphibious truck, substantially as shown.

DESCRIPTION

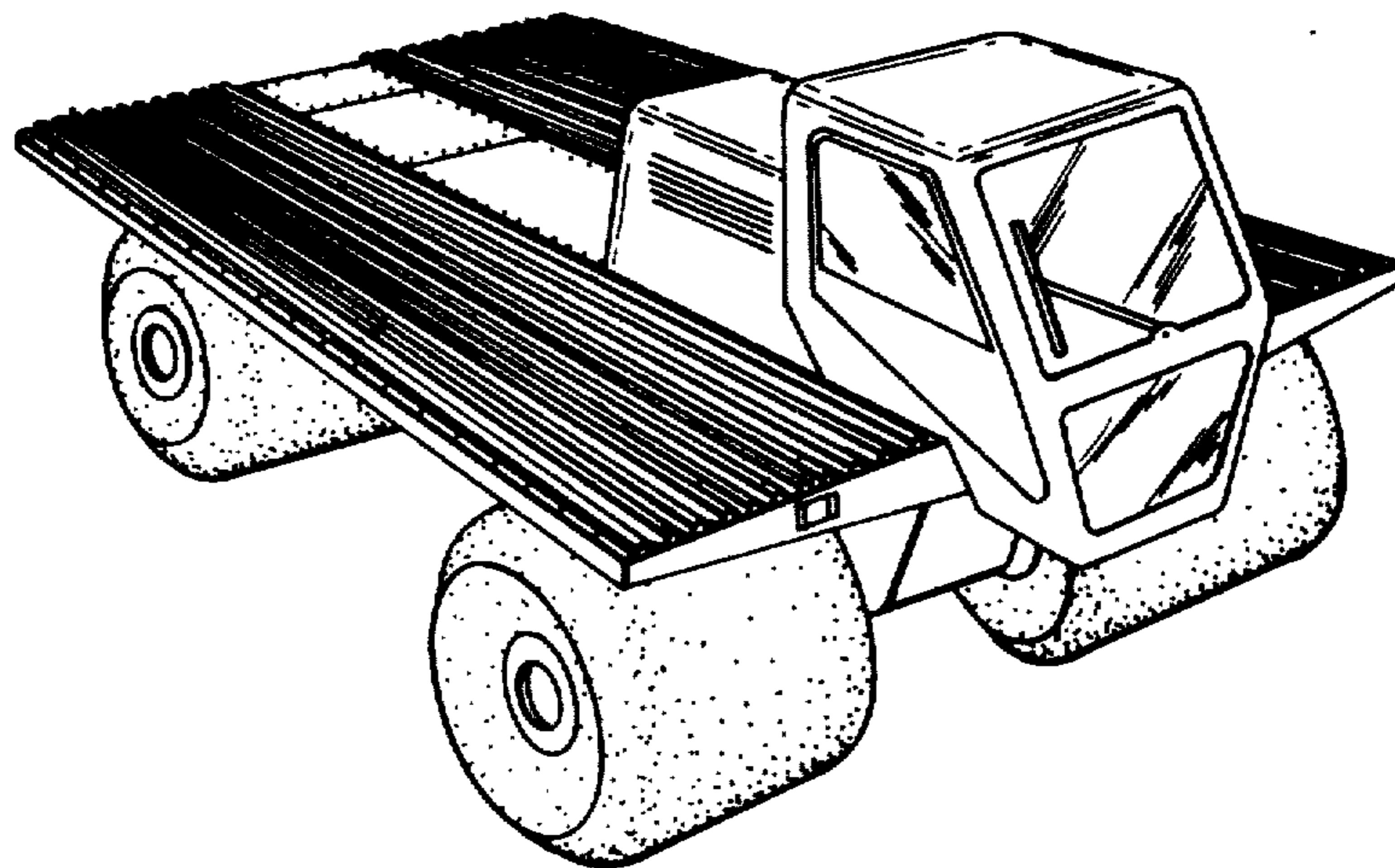
FIG. 1 is a perspective view of an amphibious truck showing my design;

FIG. 2 is a side elevational view;

FIG. 3 is a front elevational view;

FIG. 4 is a top plan view; and

FIG. 5 is a rear elevational view.



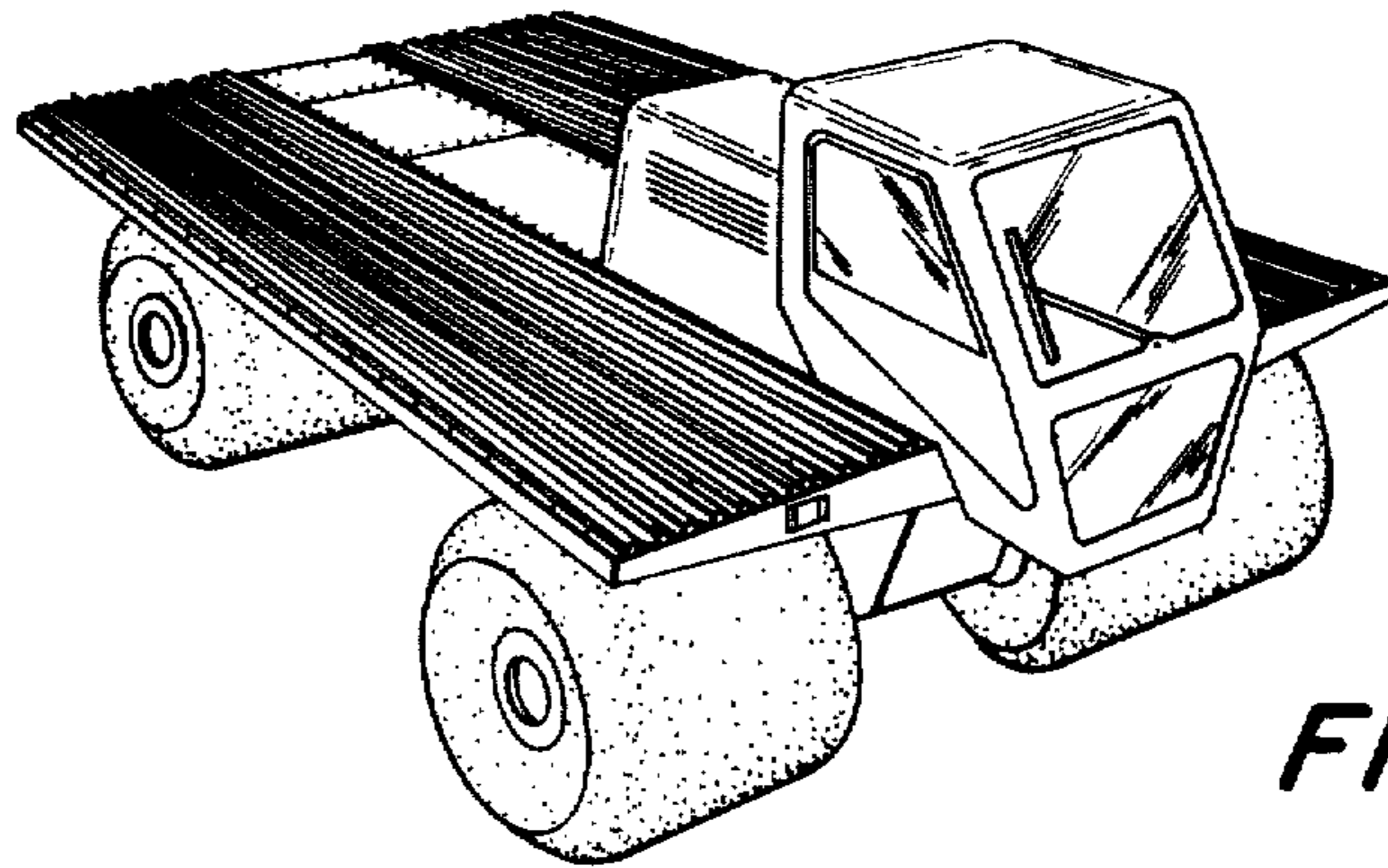


FIG. 1

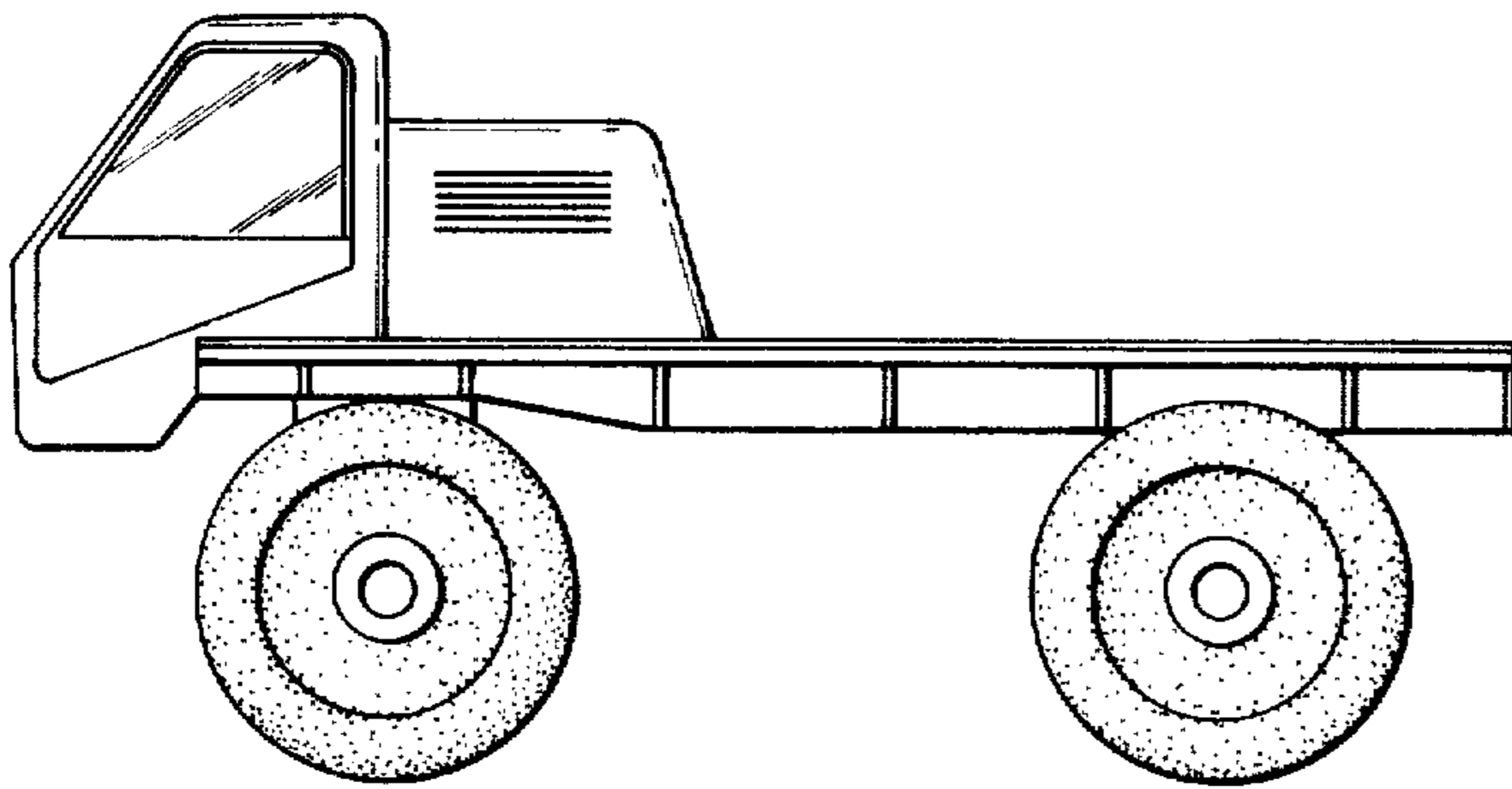


FIG. 2

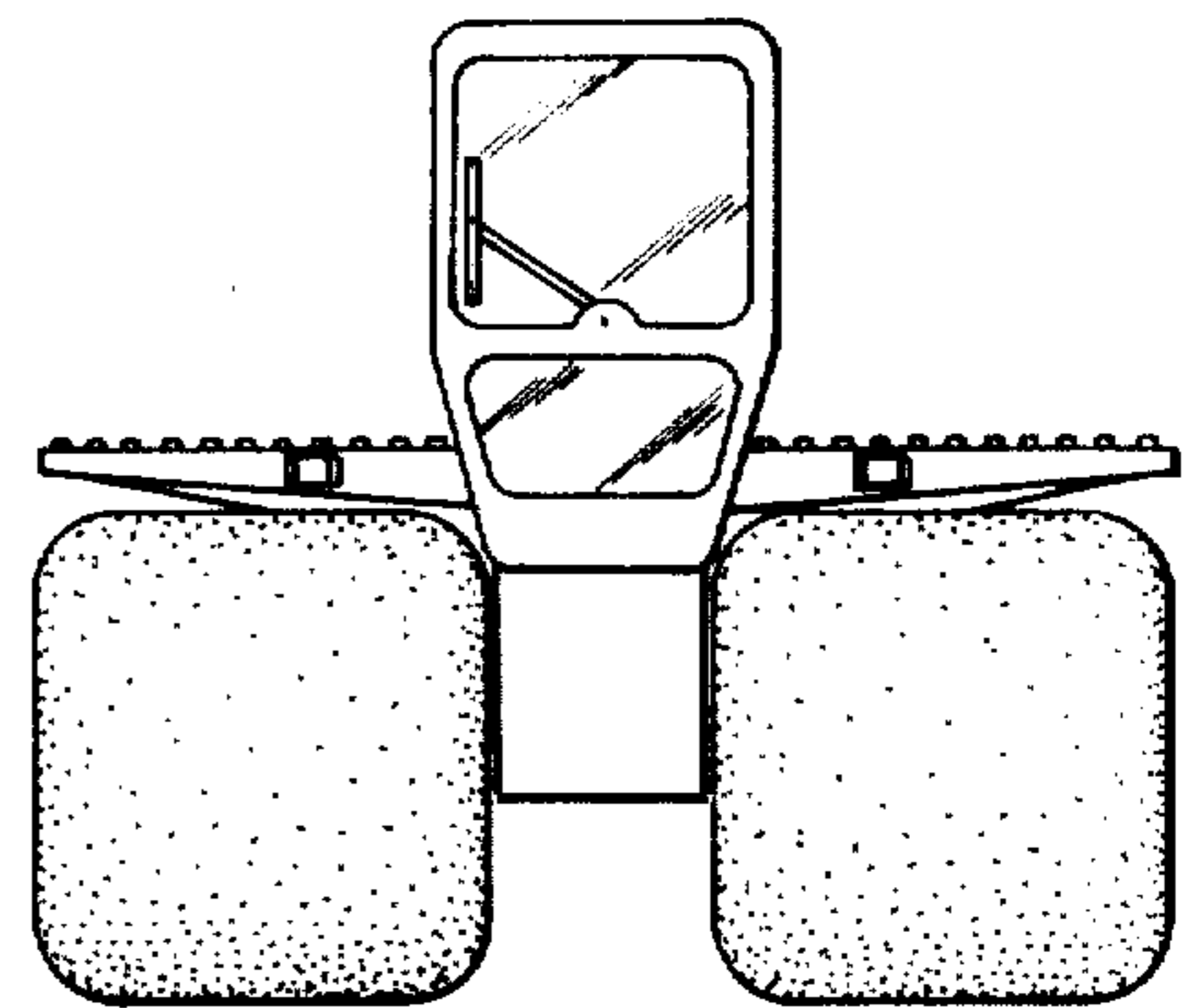


FIG. 3

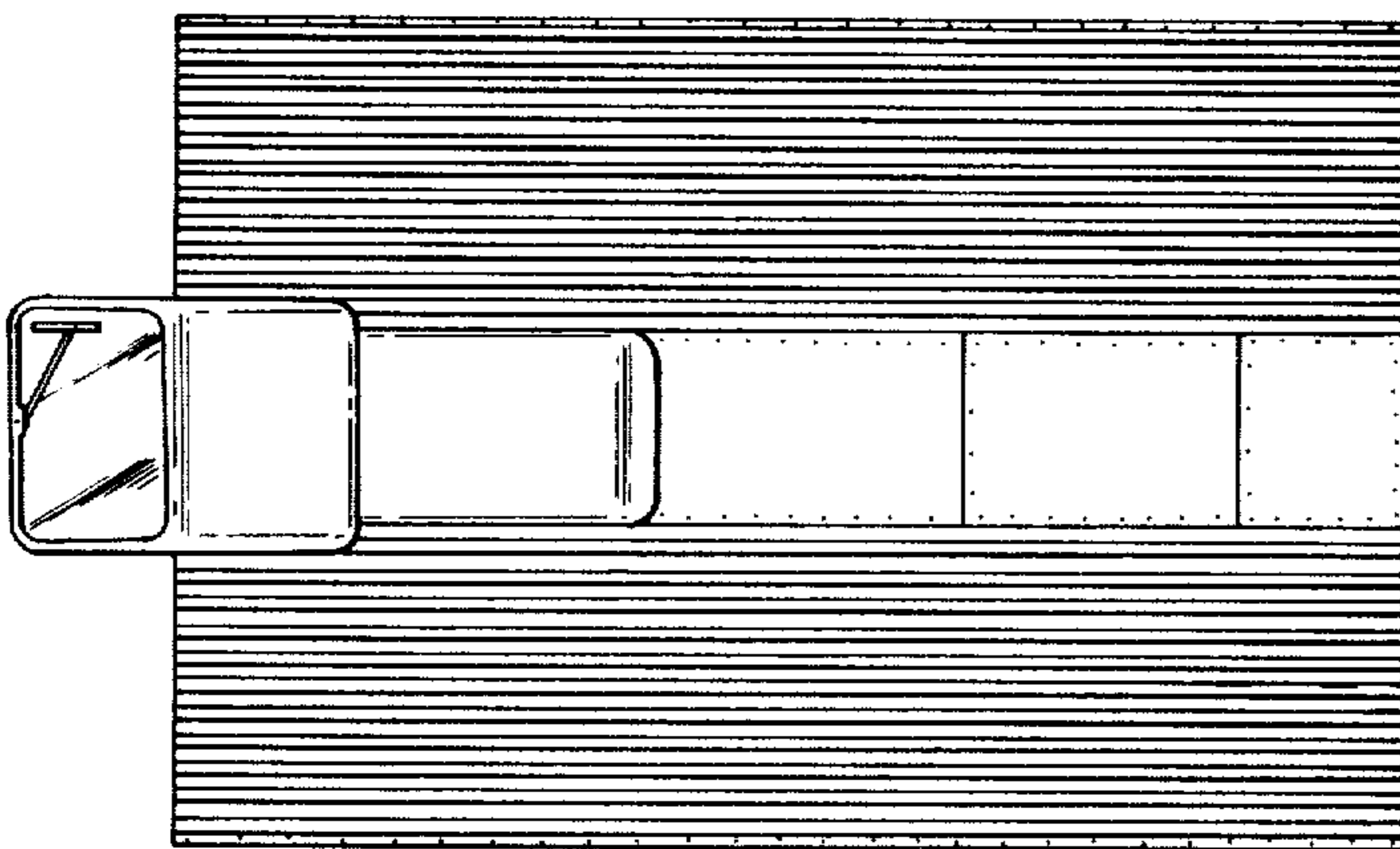


FIG. 4

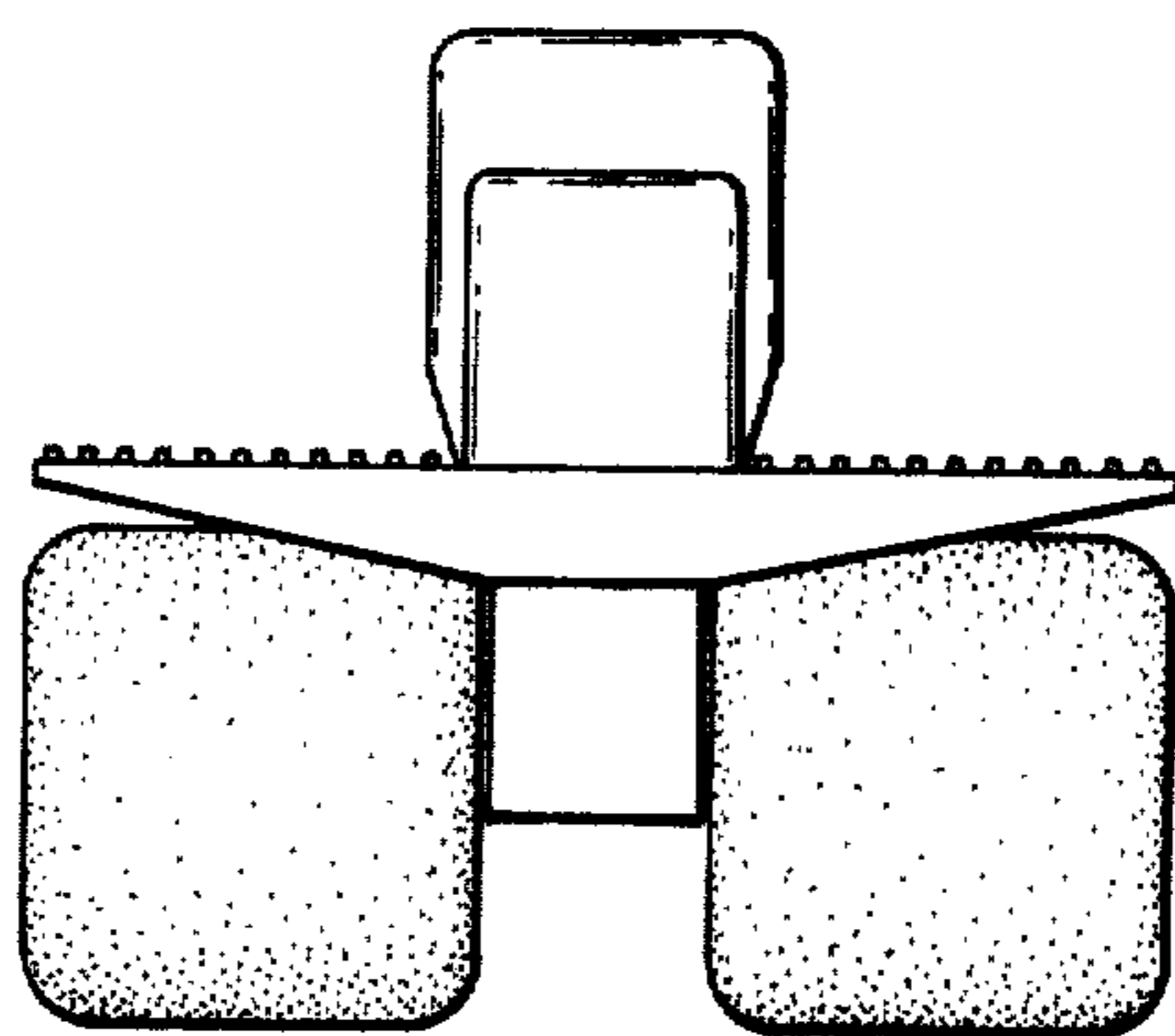


FIG. 5