

[54] AMBULANCE

[75] Inventor: Carl Horton, Upper Arlington, Ohio

[73] Assignee: The Horton Company, Columbus, Ohio

[\*\*] Term: 14 Years

[21] Appl. No.: 179,035

[22] Filed: Aug. 18, 1980

[51] Int. Cl. .... D12-08

[52] U.S. Cl. .... D12/1; D12/14; D12/86

[58] Field of Search ..... D12/1, 86, 14; 296/19

[56] References Cited

U.S. PATENT DOCUMENTS

D. 250,522 12/1978 Miner et al. .... D12/1  
2,278,450 4/1942 Jones ..... 296/19

OTHER PUBLICATIONS

Industrial Equipment News, 7/74, p. 23, Plant Ambulance.

Primary Examiner—James M. Gandy  
Attorney, Agent, or Firm—William S. Rambo

[57] CLAIM

The ornamental design for an ambulance, substantially as shown.

DESCRIPTION

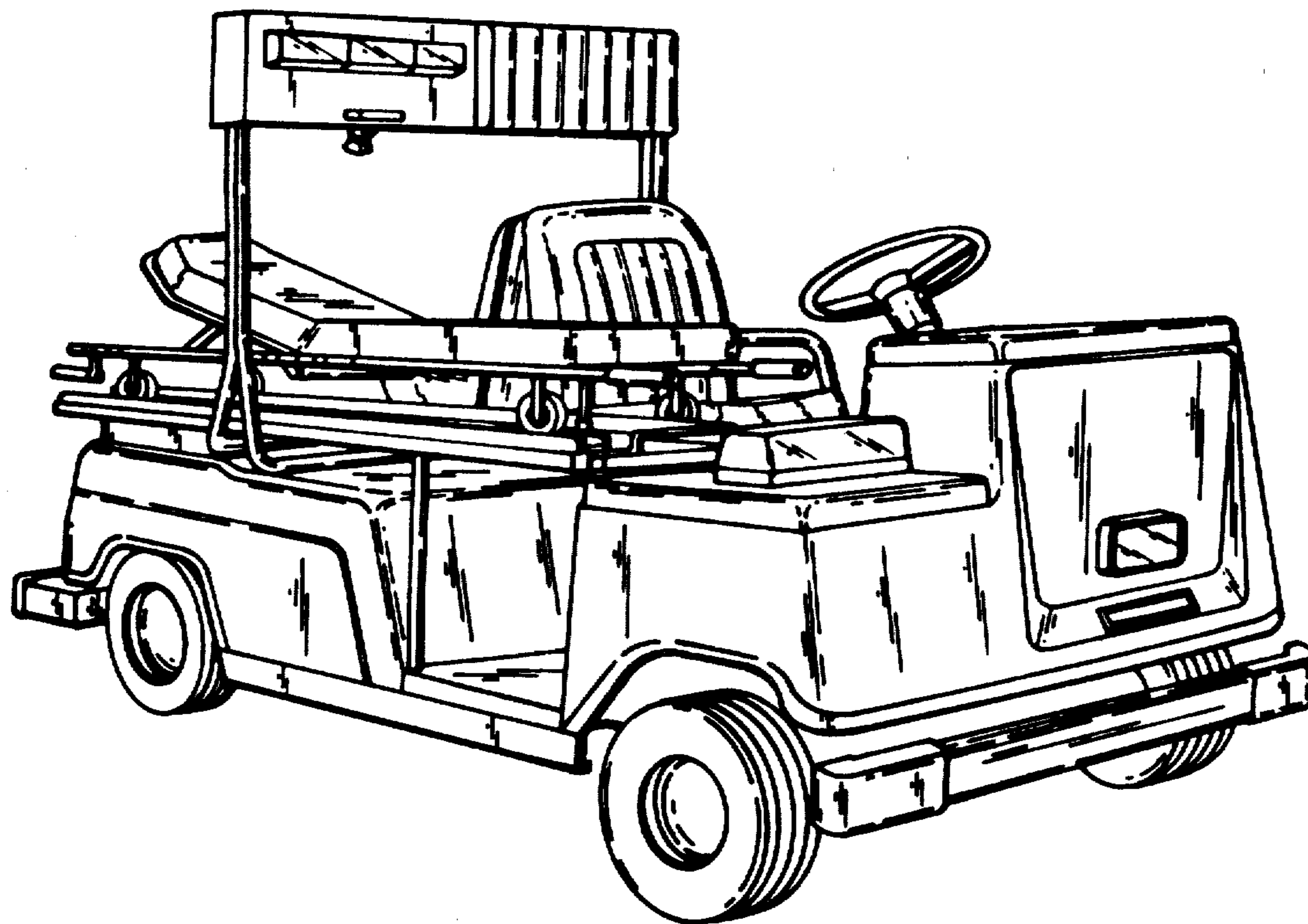
FIG. 1 is a perspective view of an ambulance showing my new design;

FIG. 2 is a perspective view taken from the rear and opposite side thereof;

FIG. 3 is a front elevational view thereof;

FIG. 4 is a rear elevational view thereof; and

FIG. 5 is a top plan view thereof.



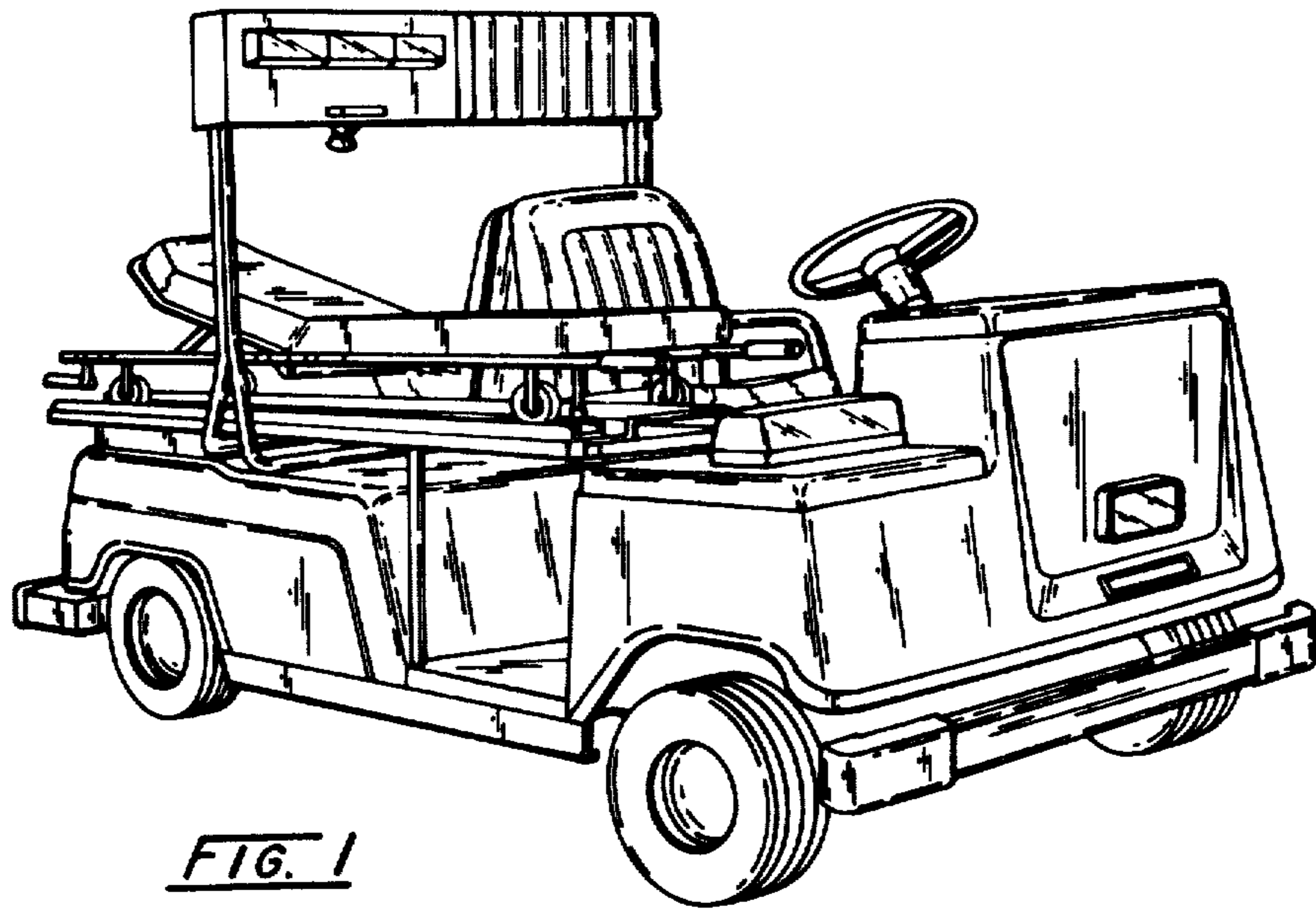


FIG. 1

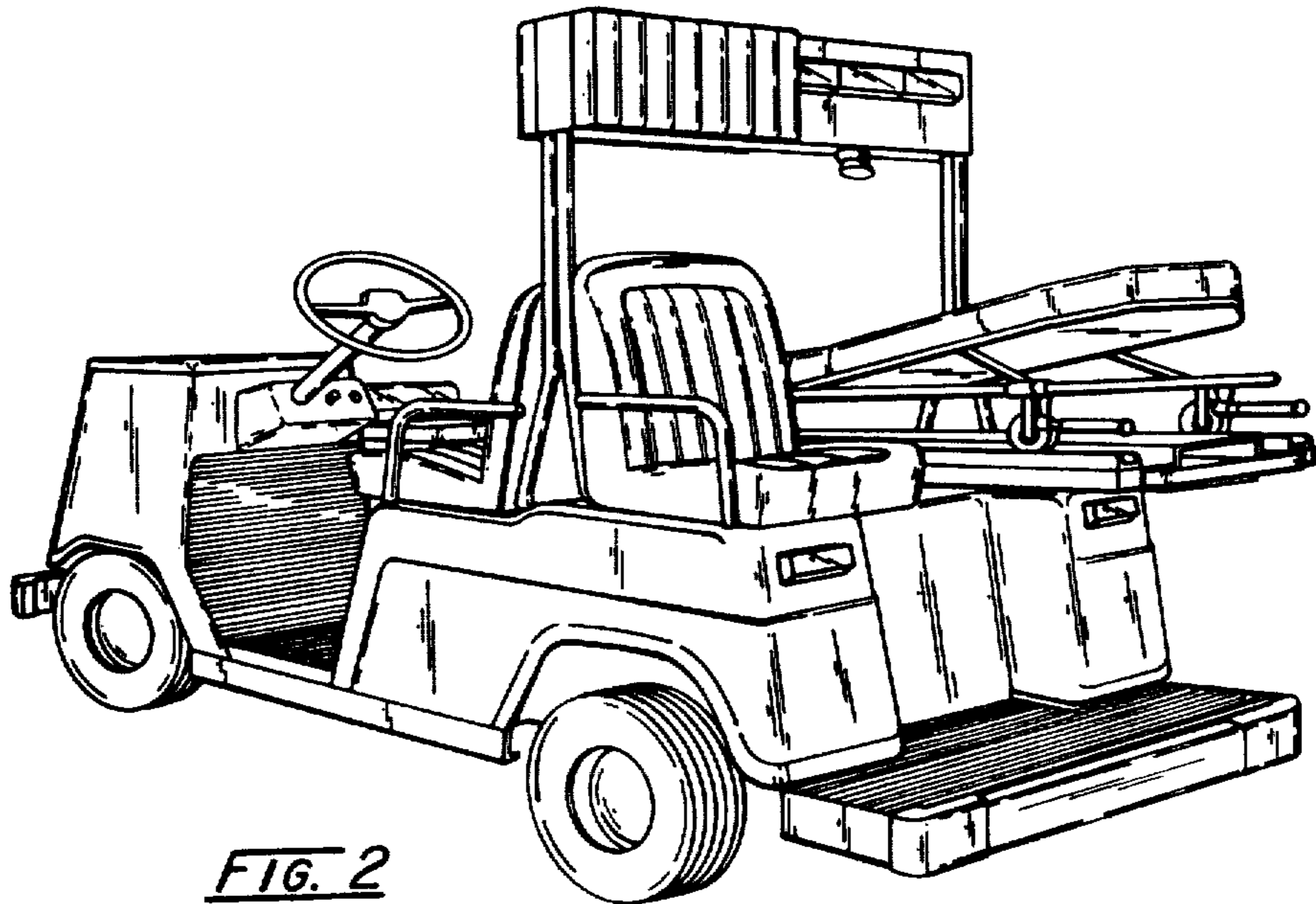


FIG. 2

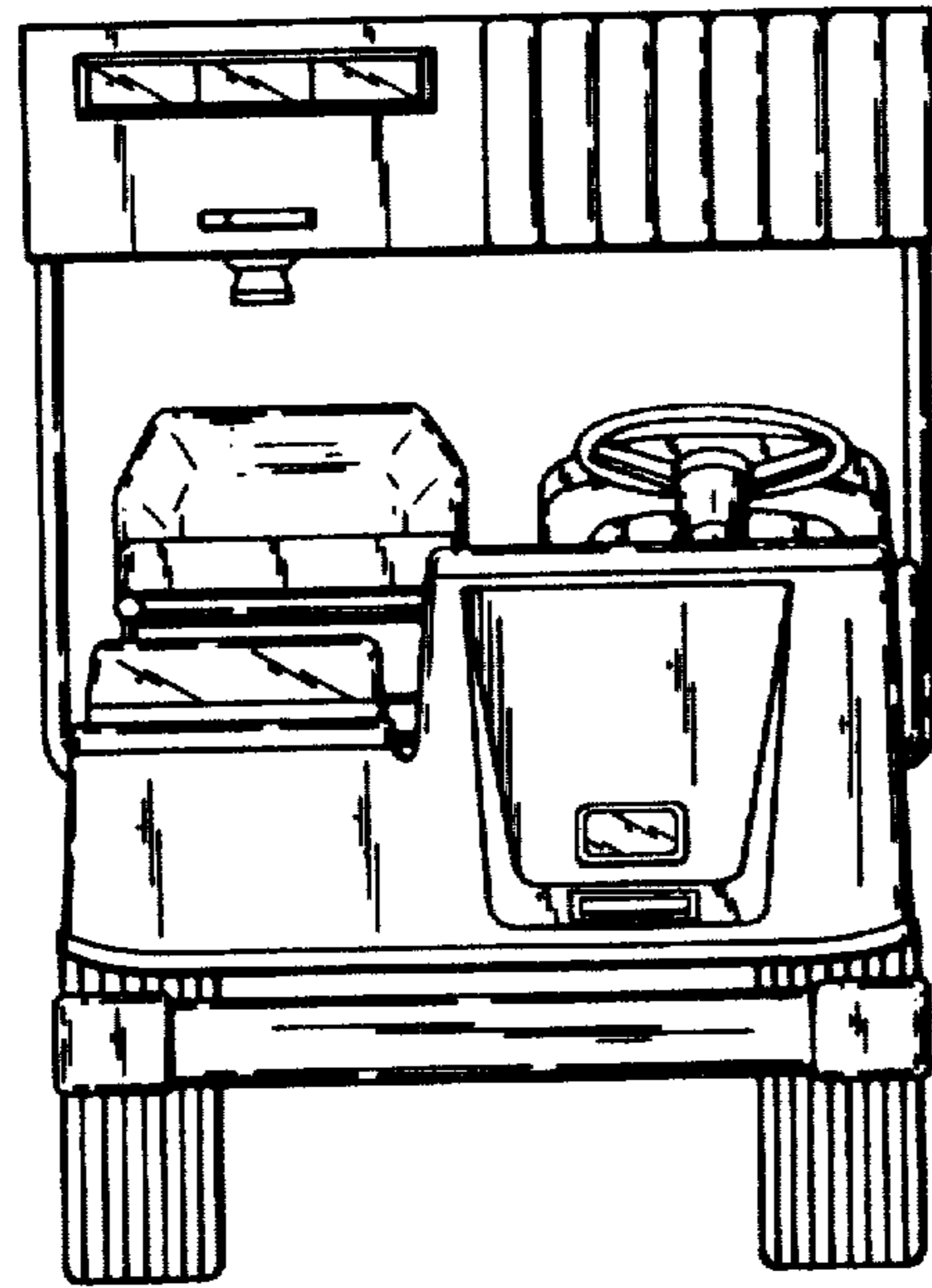


FIG. 3

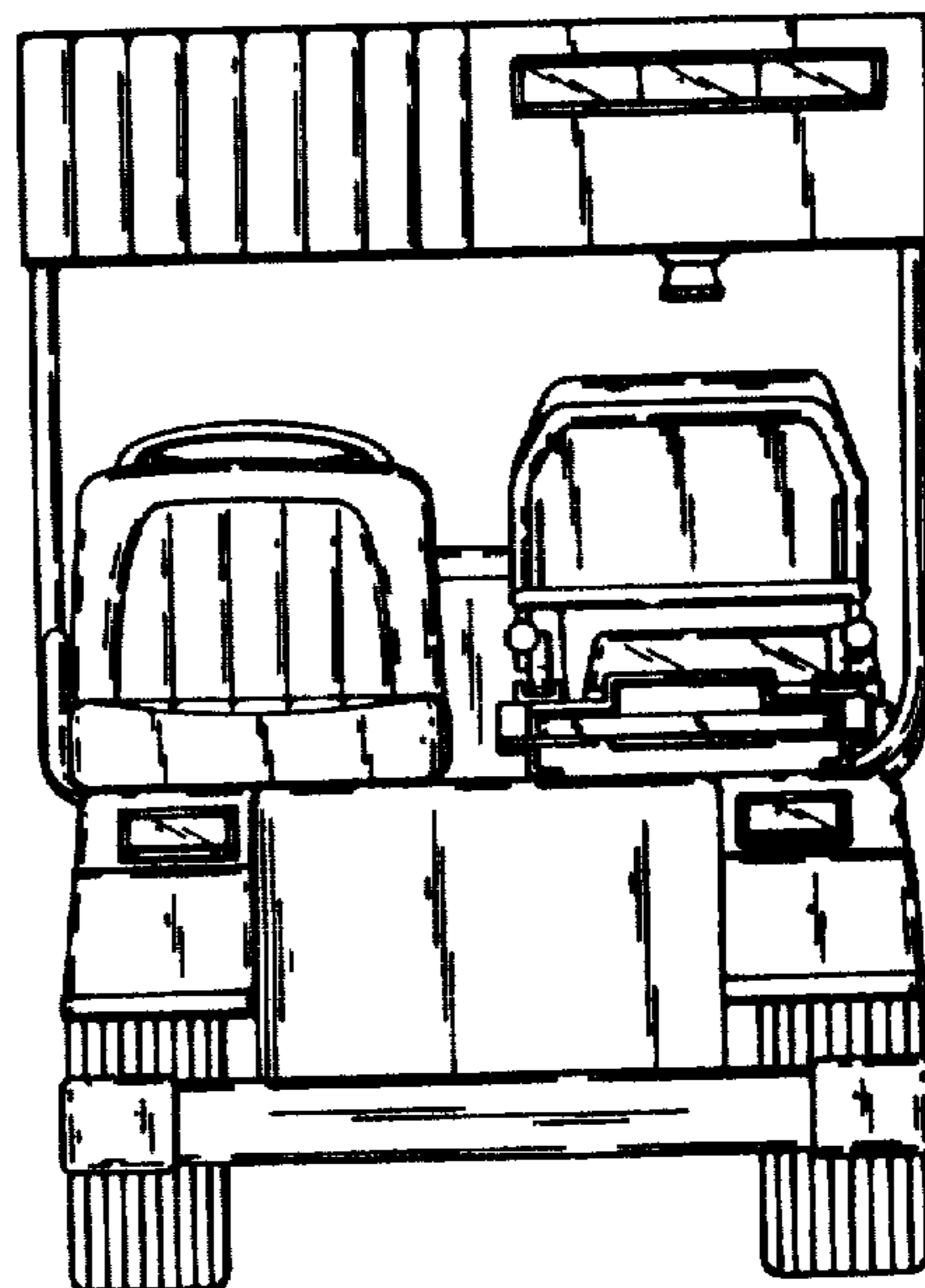


FIG. 4

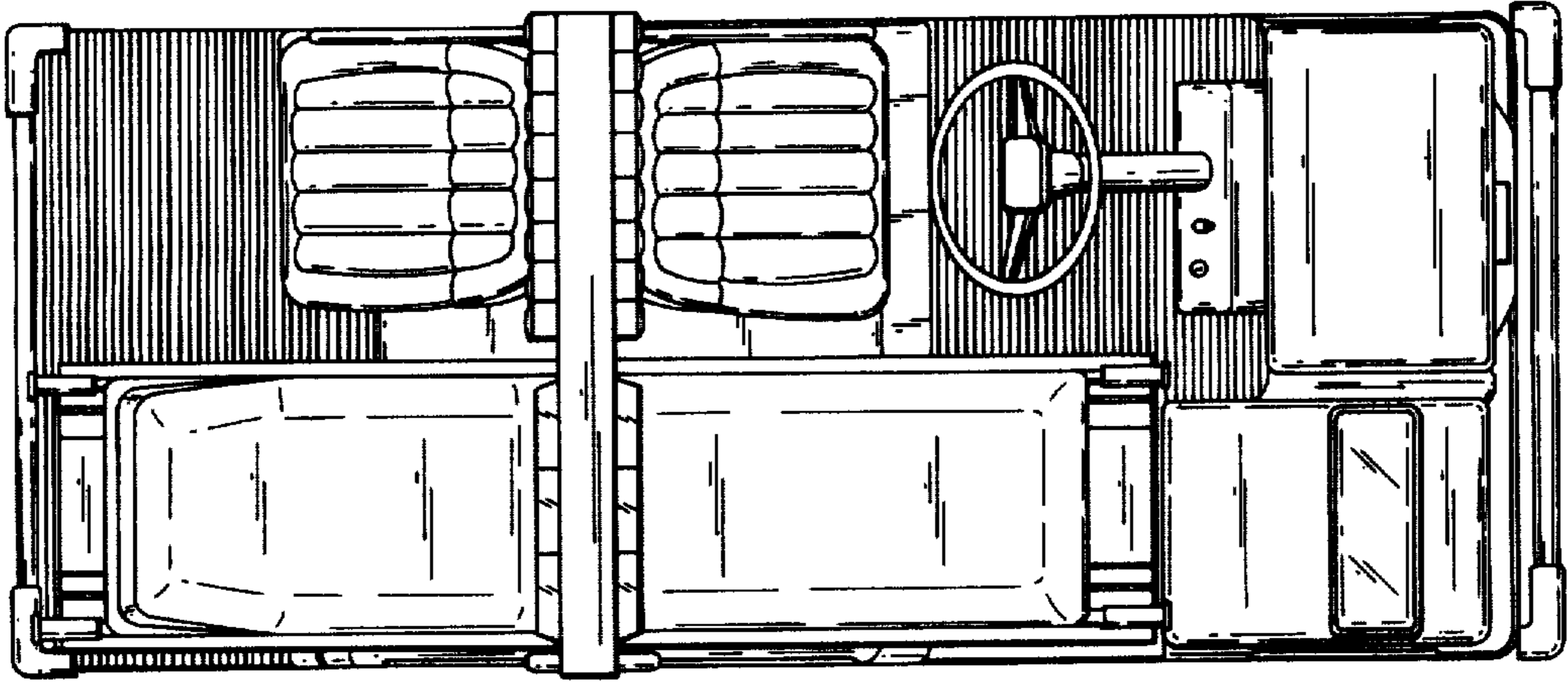


FIG. 5