

[54] COMBINED PEN HOLDER AND TROPHY

[76] Inventor: George E. Dane, 1546 - 21st St.,  
Manhattan Beach, Calif. 90266

[\*\*] Term: 14 Years

[21] Appl. No.: 140,191

[22] Filed: Apr. 14, 1980

[51] Int. Cl. .... D11-02

[52] U.S. Cl. .... D11/157; D19/82;  
D19/84

[58] Field of Search ..... D19/75, 77, 80-85;  
D11/131-133, 151, 139; 428/13, 14; D25/48,  
58

References Cited

U.S. PATENT DOCUMENTS

- D. 228,020 7/1973 Cuccio ..... D19/84
- D. 255,587 6/1980 Dane ..... D19/82

OTHER PUBLICATIONS

Sheaffer's Decorator Design Desk Sets ©1964, p. 8,  
Item No. 113c.  
Sweets Arch. Cat. File 1976, 8.3/SU, p. 8, Item No. SD  
409.

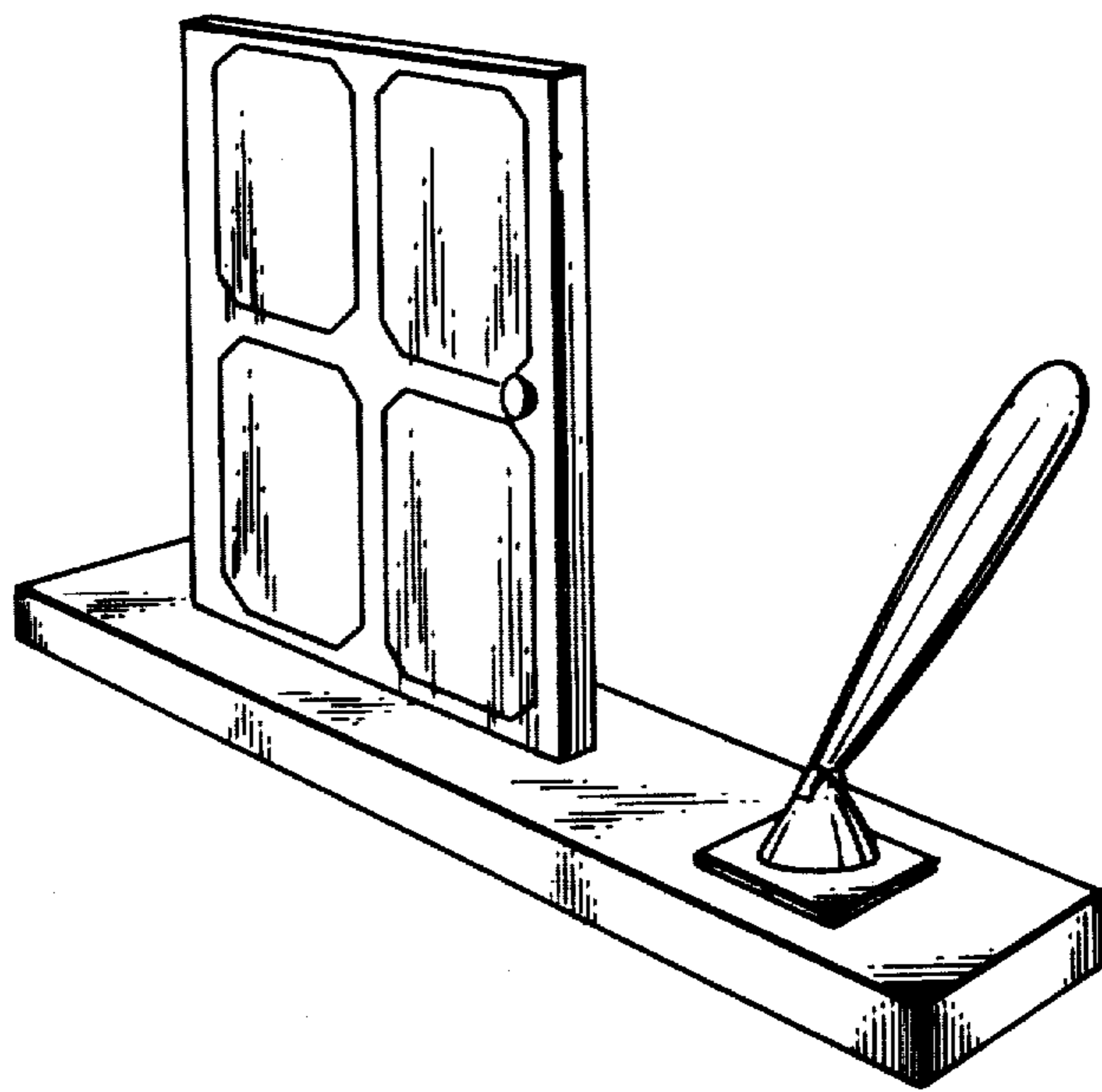
Primary Examiner—George P. Word  
Attorney, Agent, or Firm—John Holtrichter, Jr.

CLAIM

[57] The ornamental design for a combined pen holder and  
trophy, substantially as shown.

DESCRIPTION

FIG. 1 is a perspective view of a combined pen holder  
and trophy showing my new design;  
FIG. 2 is a left side elevational view;  
FIG. 3 is a right side elevational view;  
FIG. 4 is a rear elevational view;  
FIG. 5 is a front elevational view;  
FIG. 6 is a top plan view; and  
FIG. 7 is a bottom plan view.



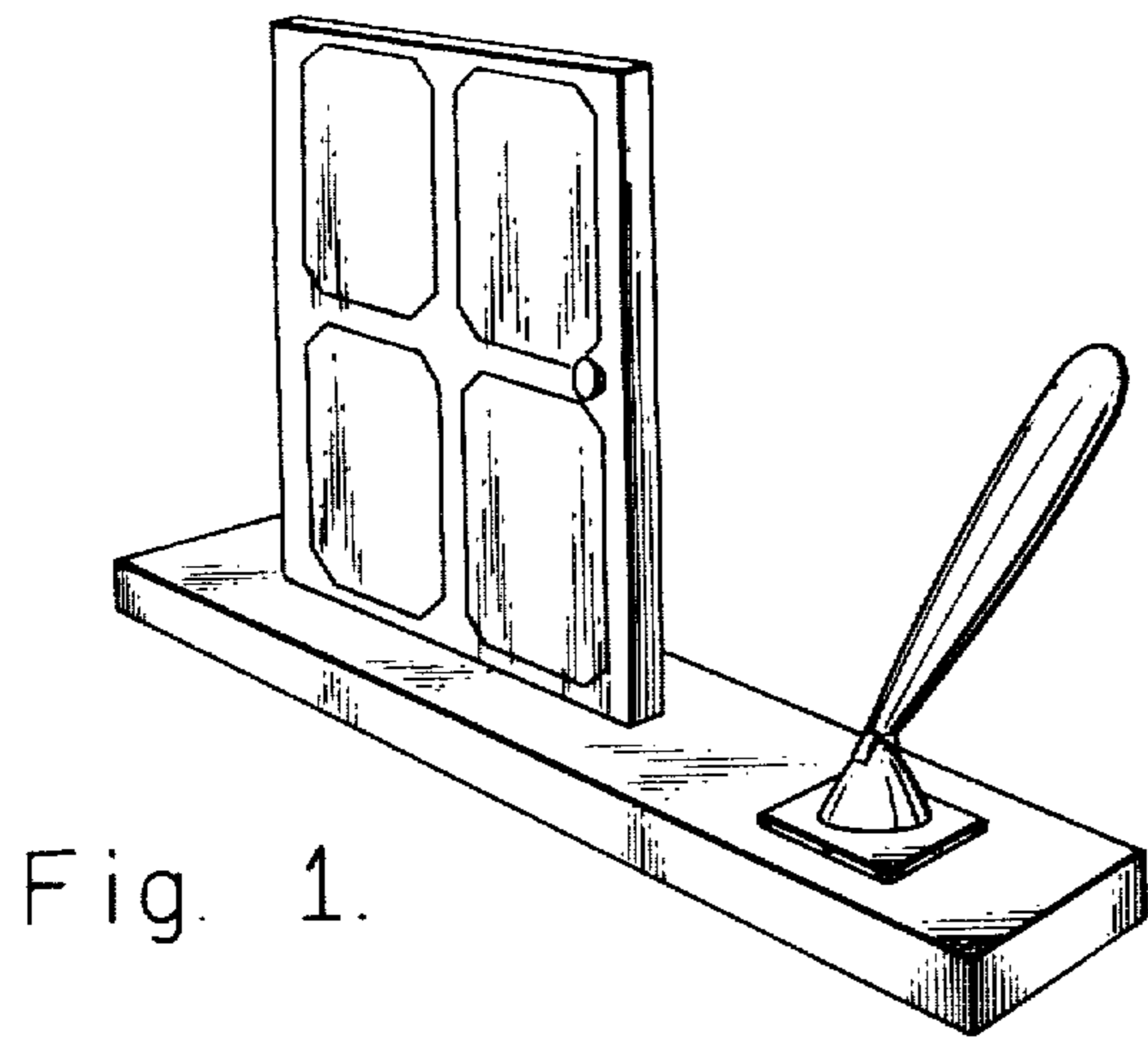


Fig. 1.

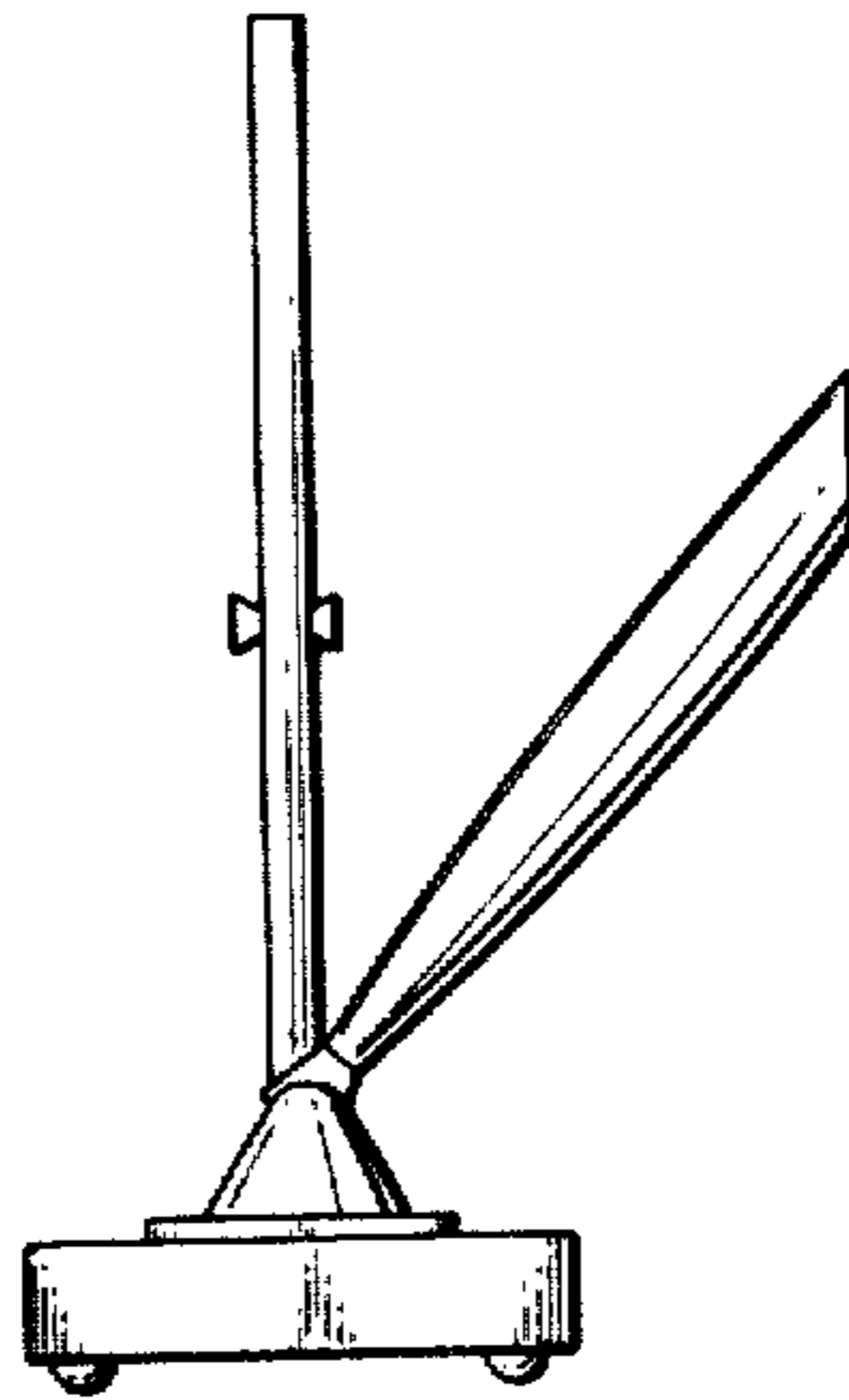


Fig. 2.

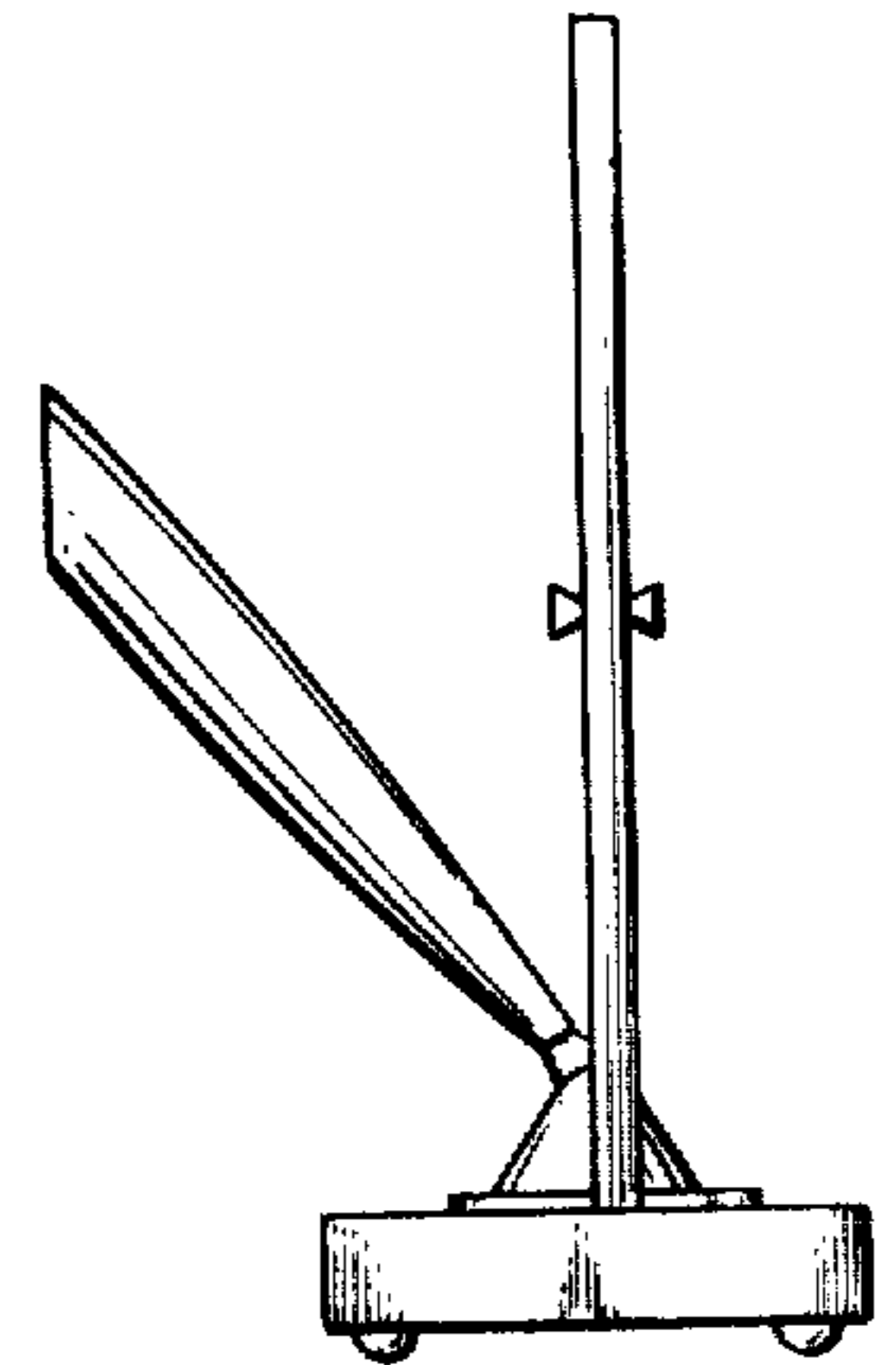


Fig. 3.

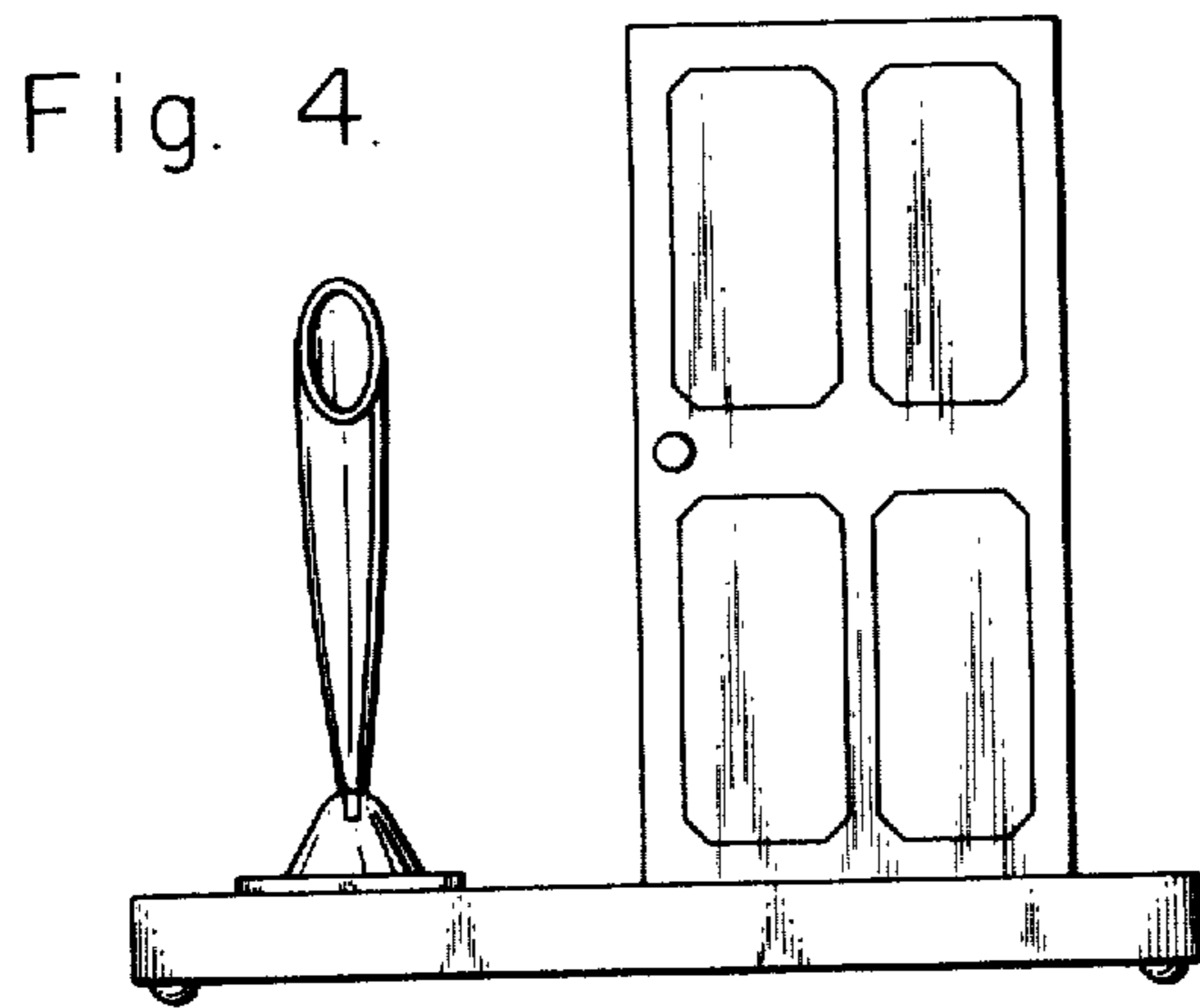


Fig. 4.

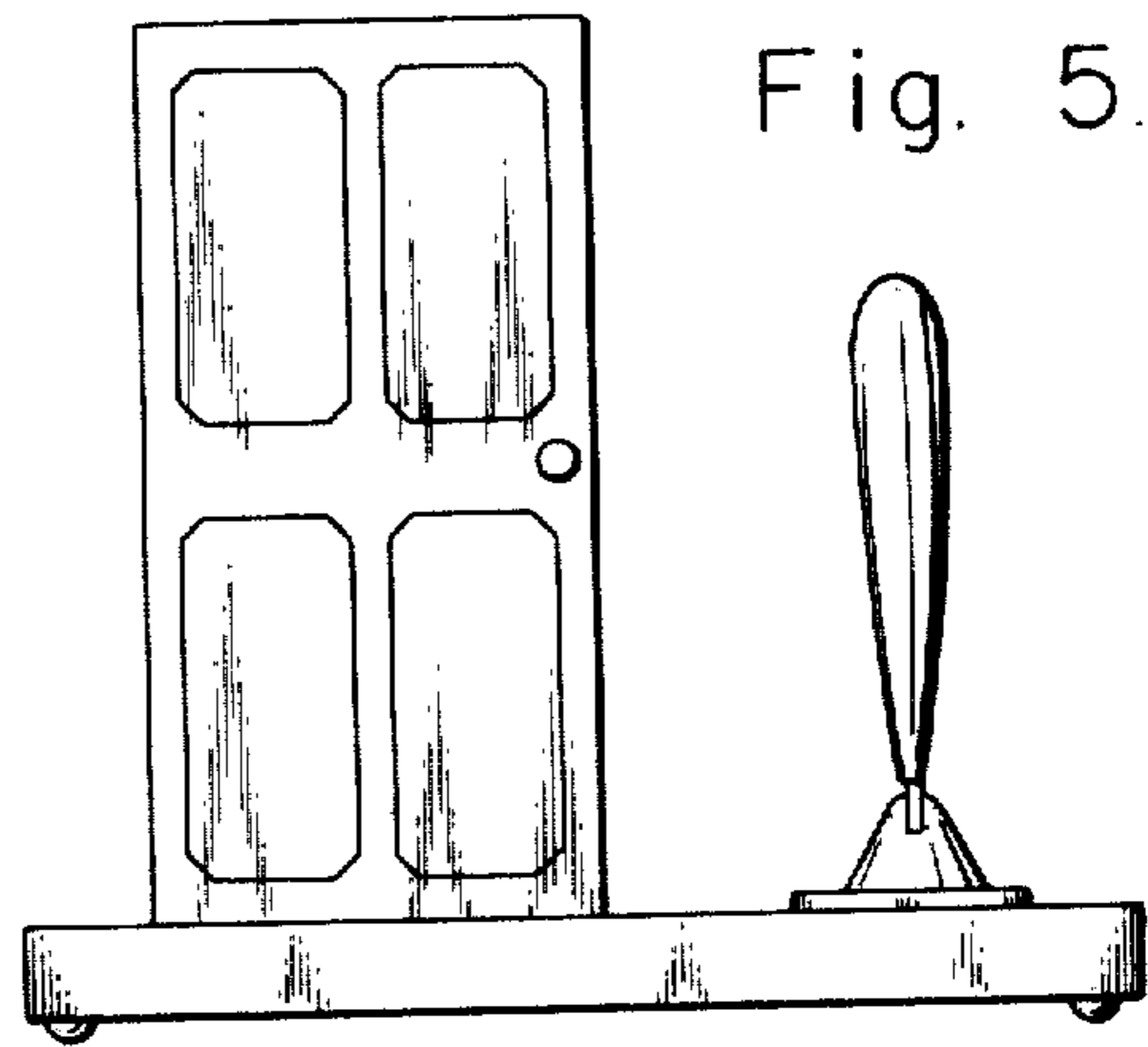


Fig. 5.

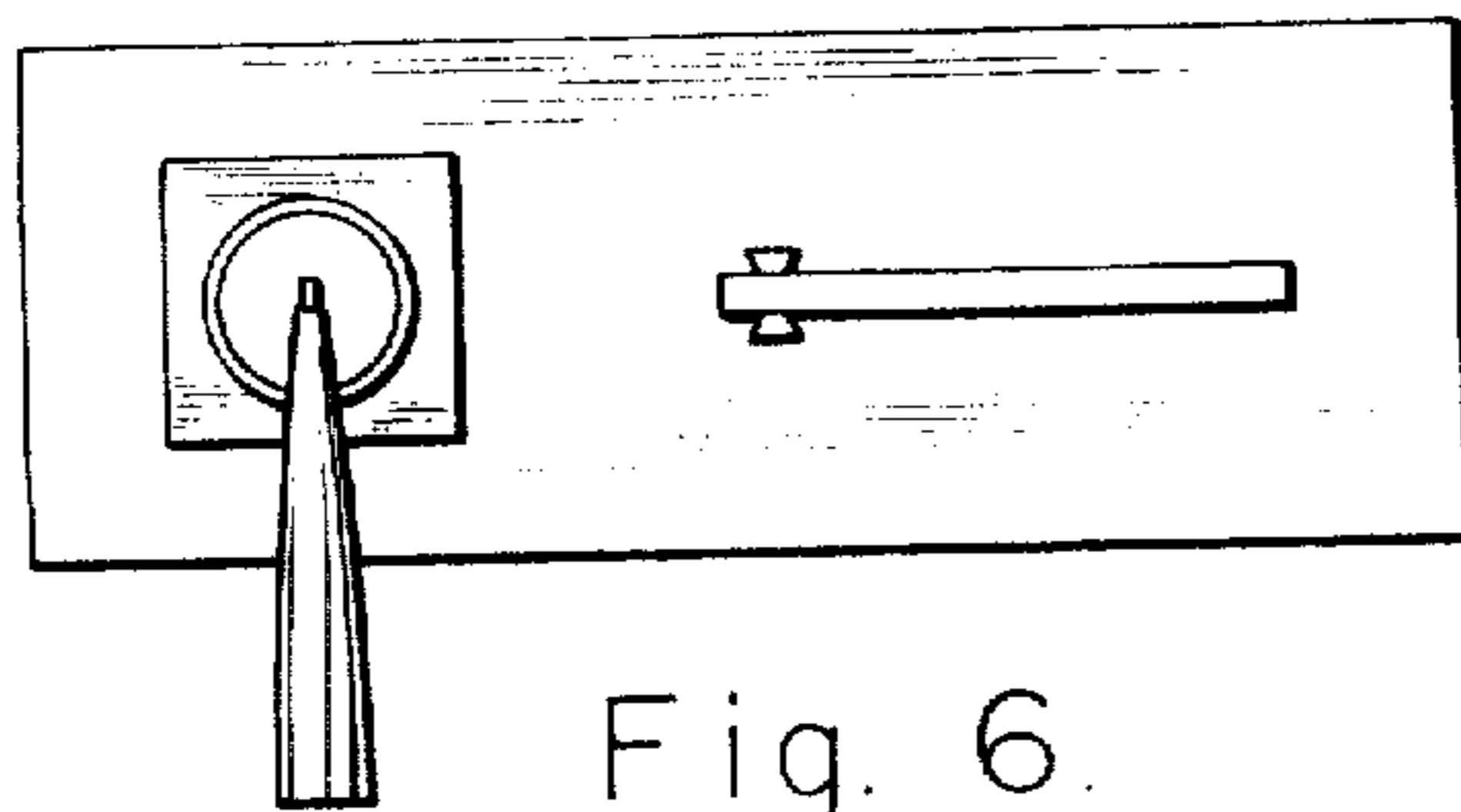


Fig. 6.

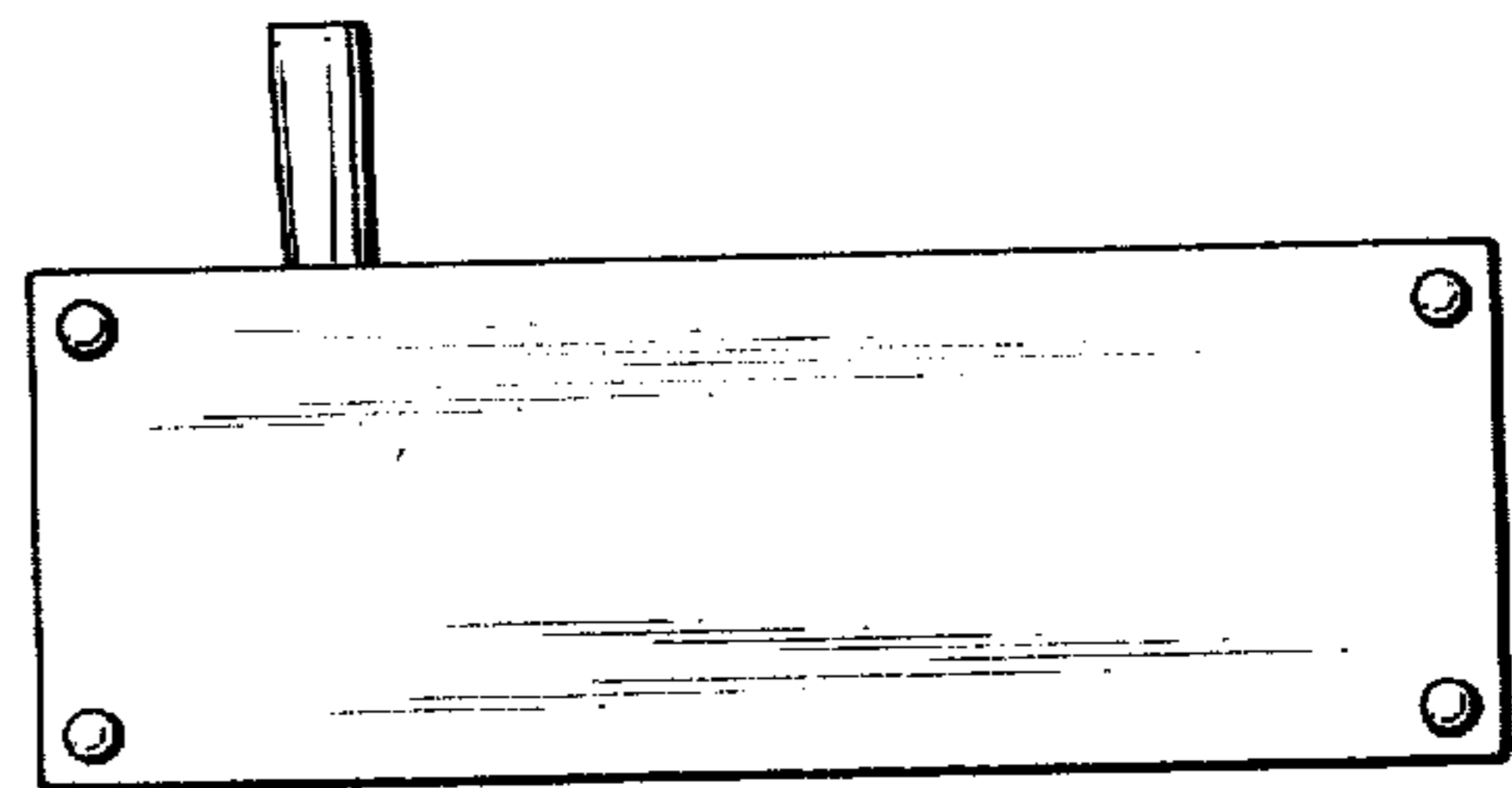


Fig. 7.