

Dane

[54] TROPHY

[76] Inventor: George E. Dane, 1546 - 21st St.,
Manhattan Beach, Calif. 90266

[**] Term: 14 Years

[21] Appl. No.: 140,190

[22] Filed: Apr. 14, 1980

[51] Int. Cl. D11-02

[52] U.S. Cl. D11/157

[58] Field of Search D11/131-133,
D11/140, 157, 184, 81, 139; D21/109, 114;
D19/82, 96, 97, 84; 428/13, 14; D25/48, 58

[56] References Cited

U.S. PATENT DOCUMENTS

D. 228,020 7/1973 Cuccio D19/84
D. 233,776 11/1974 Labell D11/131

OTHER PUBLICATIONS

Sweet's Arch. Cat. File 1976, 8.3/SU, p. 8 , Item No. SD 409.

Ace Trophies Corp. Cat. 1962, p. 15, Item No. 150F.

Primary Examiner—George P. Word
Attorney, Agent, or Firm—John Holtrichter, Jr.

[57] CLAIM

The ornamental design for a trophy, substantially as shown.

DESCRIPTION

FIG. 1 is a perspective view of a trophy showing my new design;

FIG. 2 is a left side elevational view;

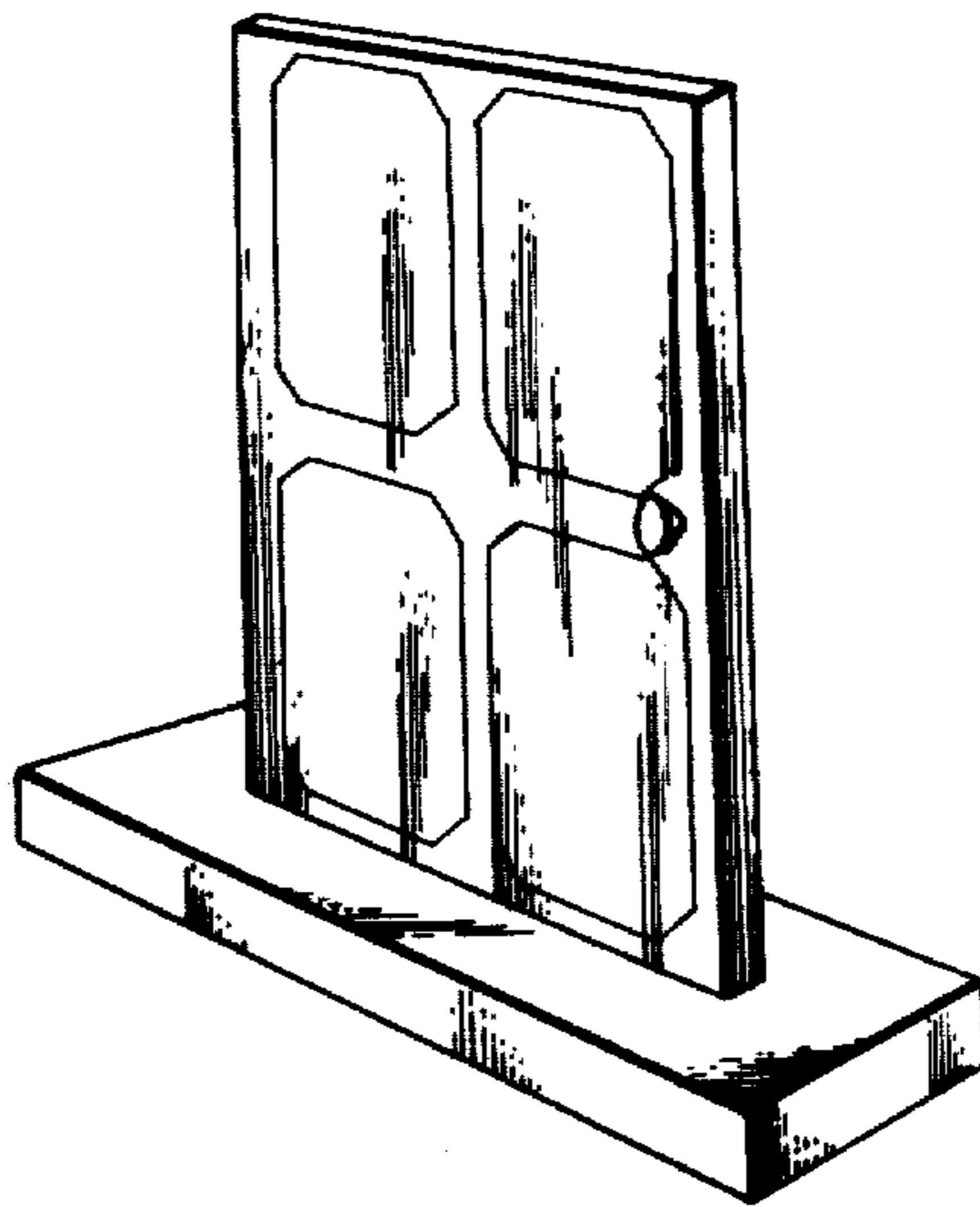
FIG. 3 is a right side elevational view;

FIG. 4 is a rear elevational view;

FIG. 5 is a front elevational view;

FIG. 6 is a top plan view; and

FIG. 7 is a bottom plan view.



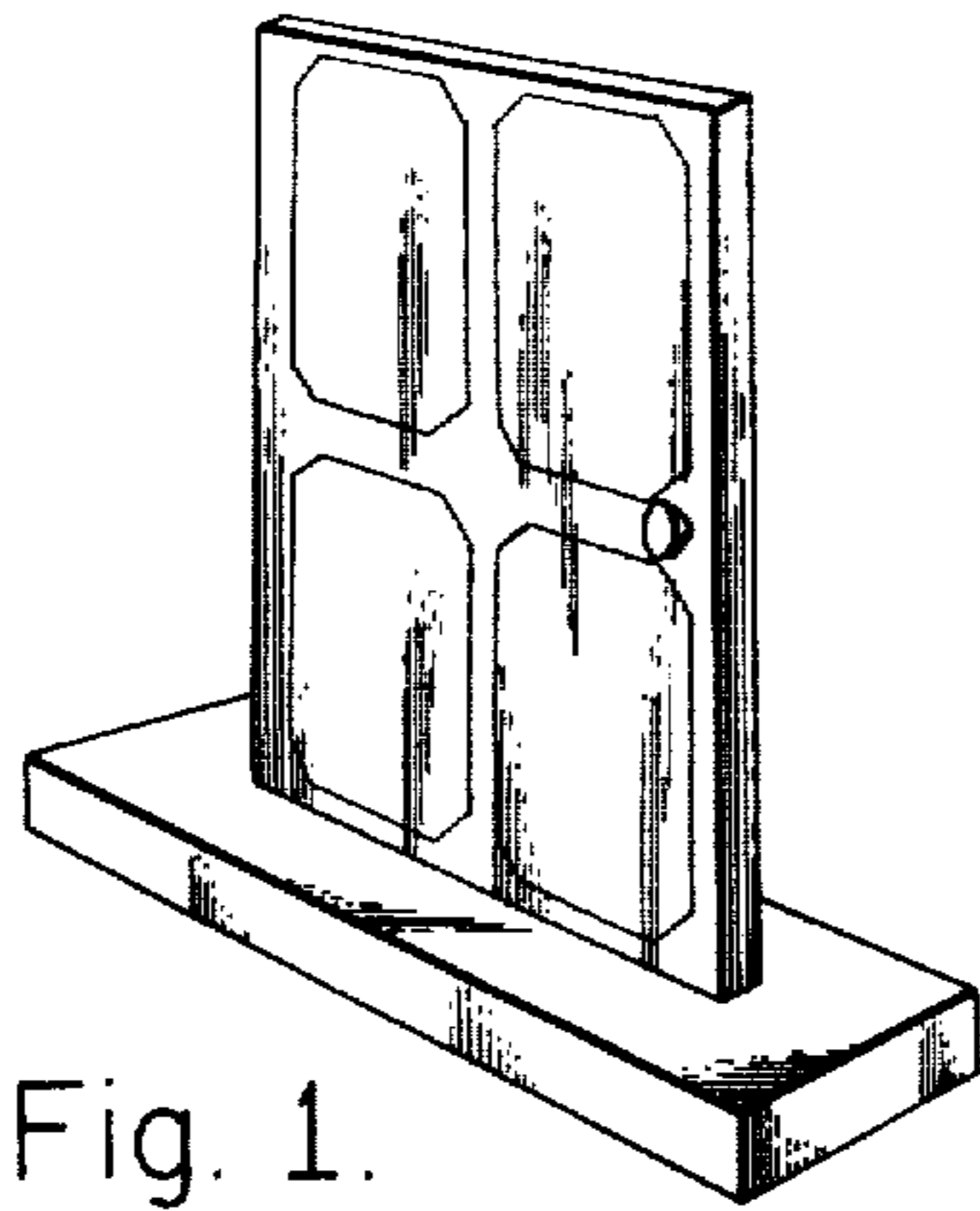


Fig. 1.

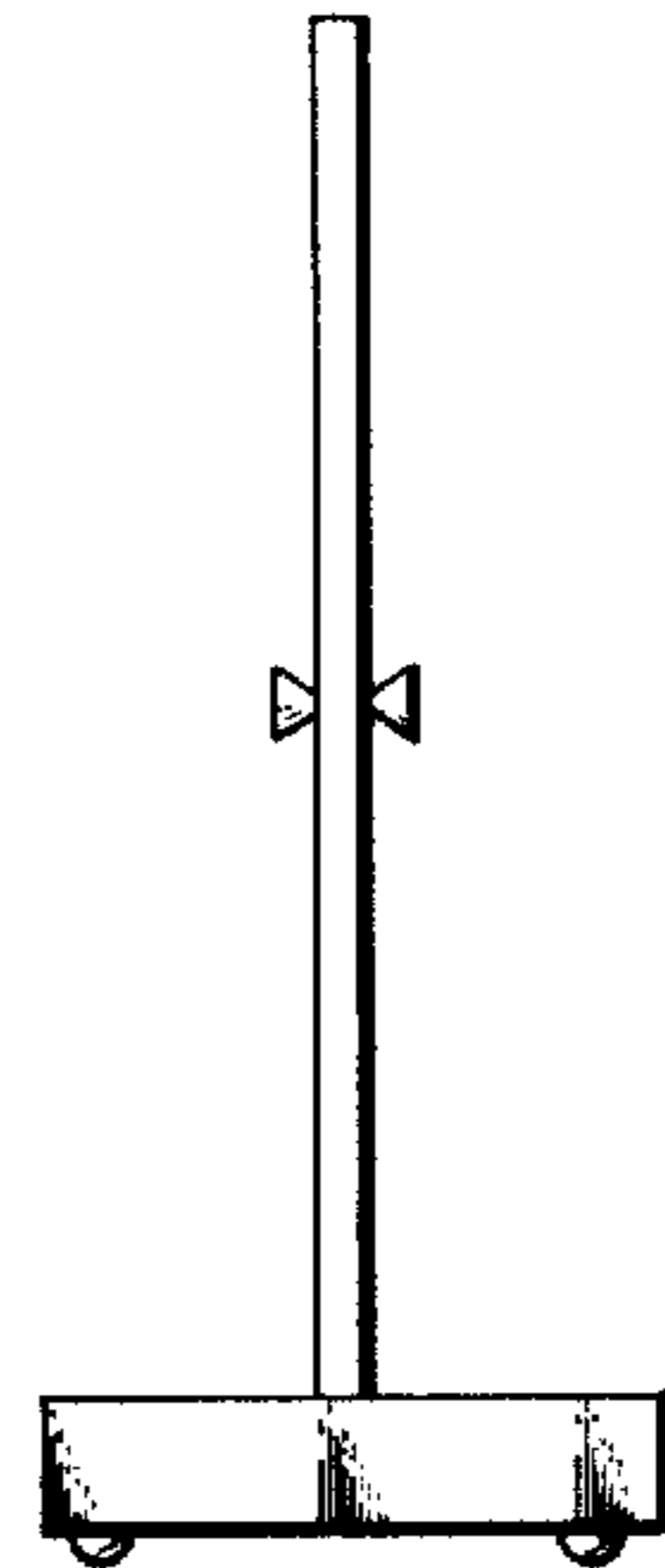


Fig. 2.

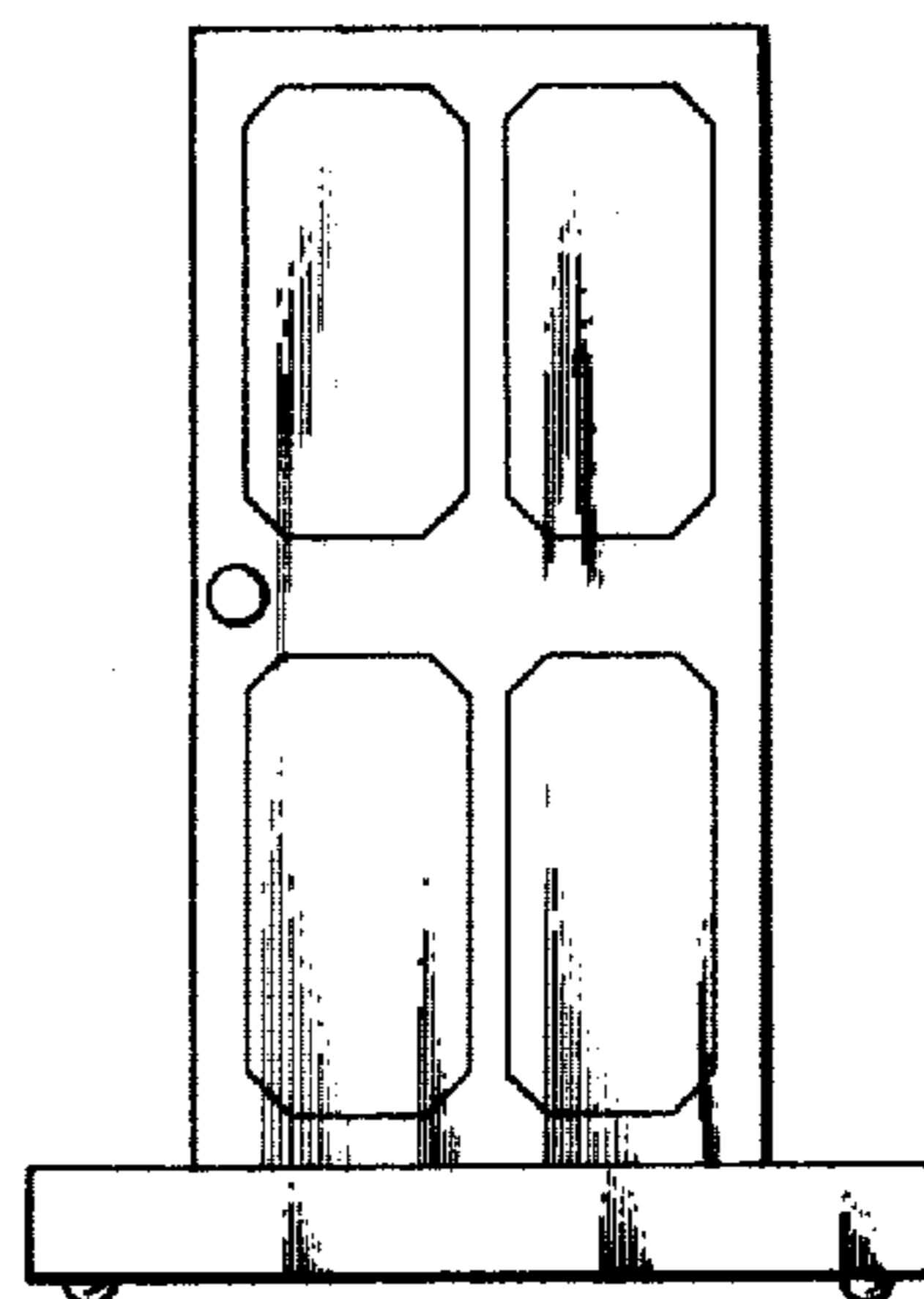


Fig. 3.

Fig. 4.

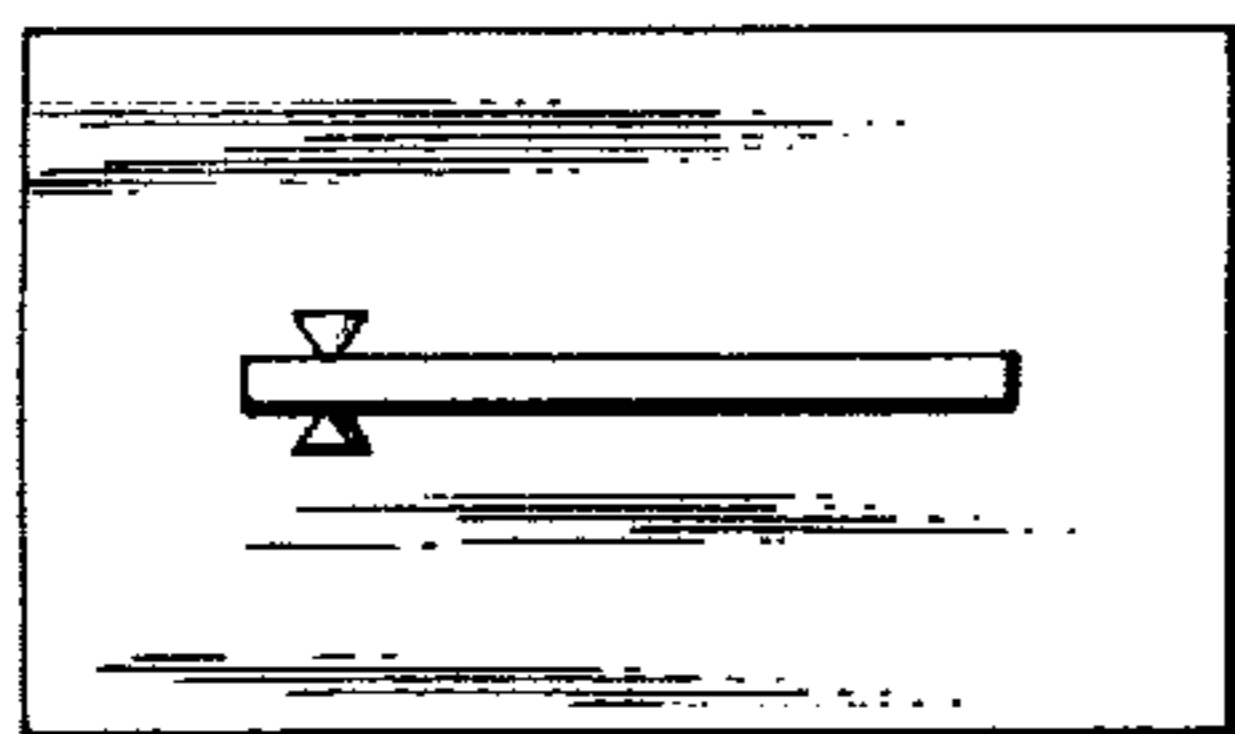


Fig. 5.

