

[54] **PLANTER**

[76] Inventor: **Melia Spak**, 8556 Dixie La.,
Dearborn Heights, Mich. 48127

[**] Term: **14 Years**

[21] Appl. No.: **93,690**

[22] Filed: **Nov. 13, 1979**

[51] Int. Cl. **D11-02; D6-06**

[52] U.S. Cl. **D11/143; D6/183;
D6/186**

[58] Field of Search **D11/143-145,
D11/149, 151-156, 164; D6/182, 183, 186, 188;
47/41, 41.12, 41.13, 66-69, 71, 72, 79-87**

[56] **References Cited**

U.S. PATENT DOCUMENTS

D. 93,277	9/1934	Lapin et al.	D6/186
D. 127,800	6/1941	Hayt	47/41
D. 129,286	9/1941	Hayt	D11/152
D. 140,082	1/1945	Hathaway	D11/143
D. 147,084	7/1947	Reinecke	D6/186
D. 205,595	8/1966	Titus	D11/152
D. 242,890	1/1977	Hillman et al.	D6/186

Primary Examiner—B. J. Bullock
Attorney, Agent, or Firm—William L. Fisher

[57] **CLAIM**

The ornamental design for a planter, as shown.

DESCRIPTION

FIG. 1 is a reduced perspective view of a planter showing my new design;

FIG. 2 is a top plan view of a curved section of the planter, shown separately for clarity of illustration;

FIG. 3 is a front elevational view of FIG. 2;

FIG. 4 is a bottom plan view of FIG. 2;

FIG. 5 is a rear elevational view of FIG. 2;

FIG. 6 is a side elevational view of FIG. 2;

FIG. 7 is an enlarged sectional view taken in the direction of the arrows on line 7-7 of FIG. 5;

FIG. 8 is a top plan view of a straight section of the planter, again shown separately for clarity of illustration;

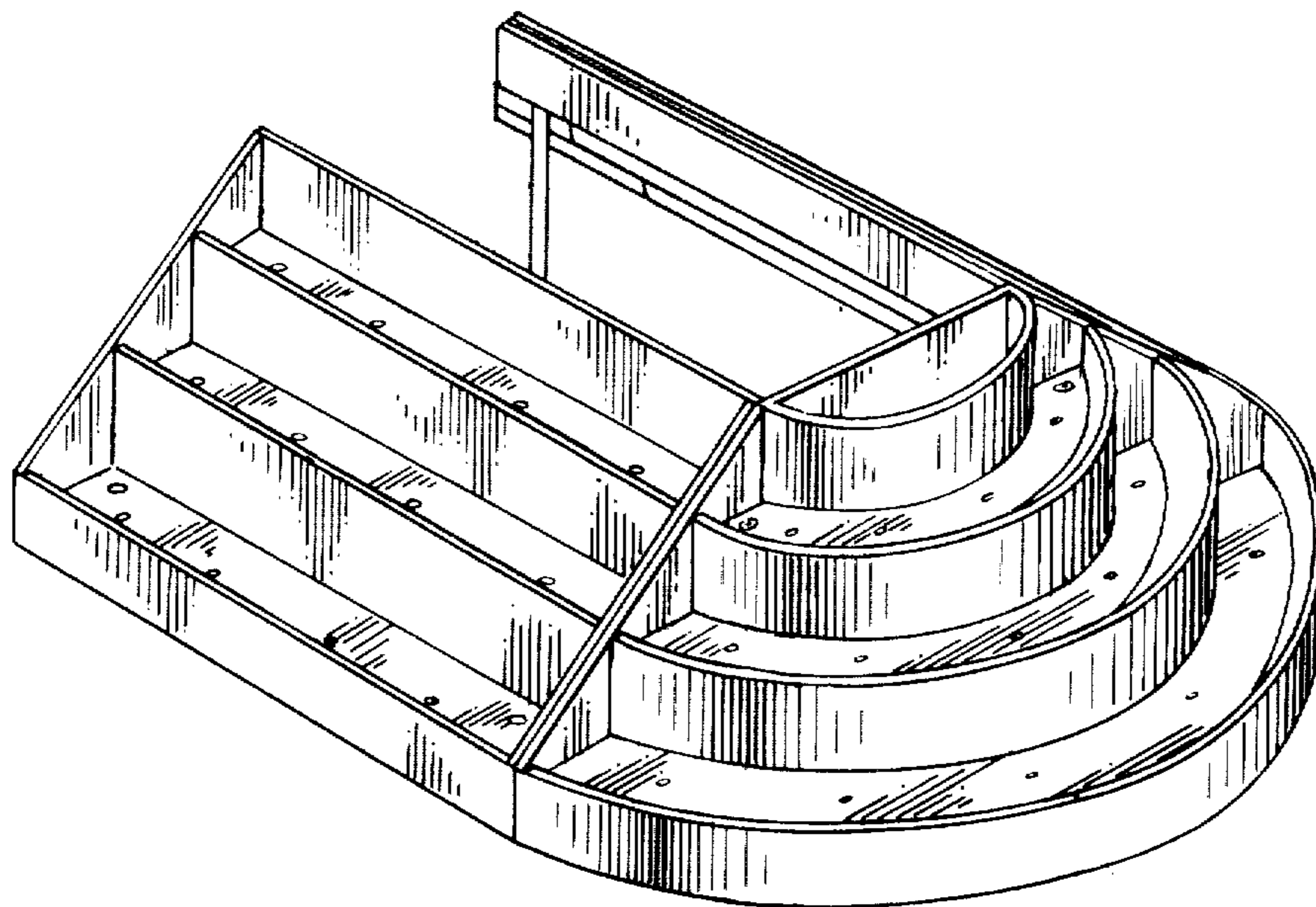
FIG. 9 is a front elevational view of FIG. 8;

FIG. 10 is a bottom plan view of FIG. 8;

FIG. 11 is a rear elevational view of FIG. 8;

FIG. 12 is an enlarged sectional view taken in the direction of the arrows on line 12-12 of FIG. 8;

FIG. 13 is a side elevational view of FIG. 8.



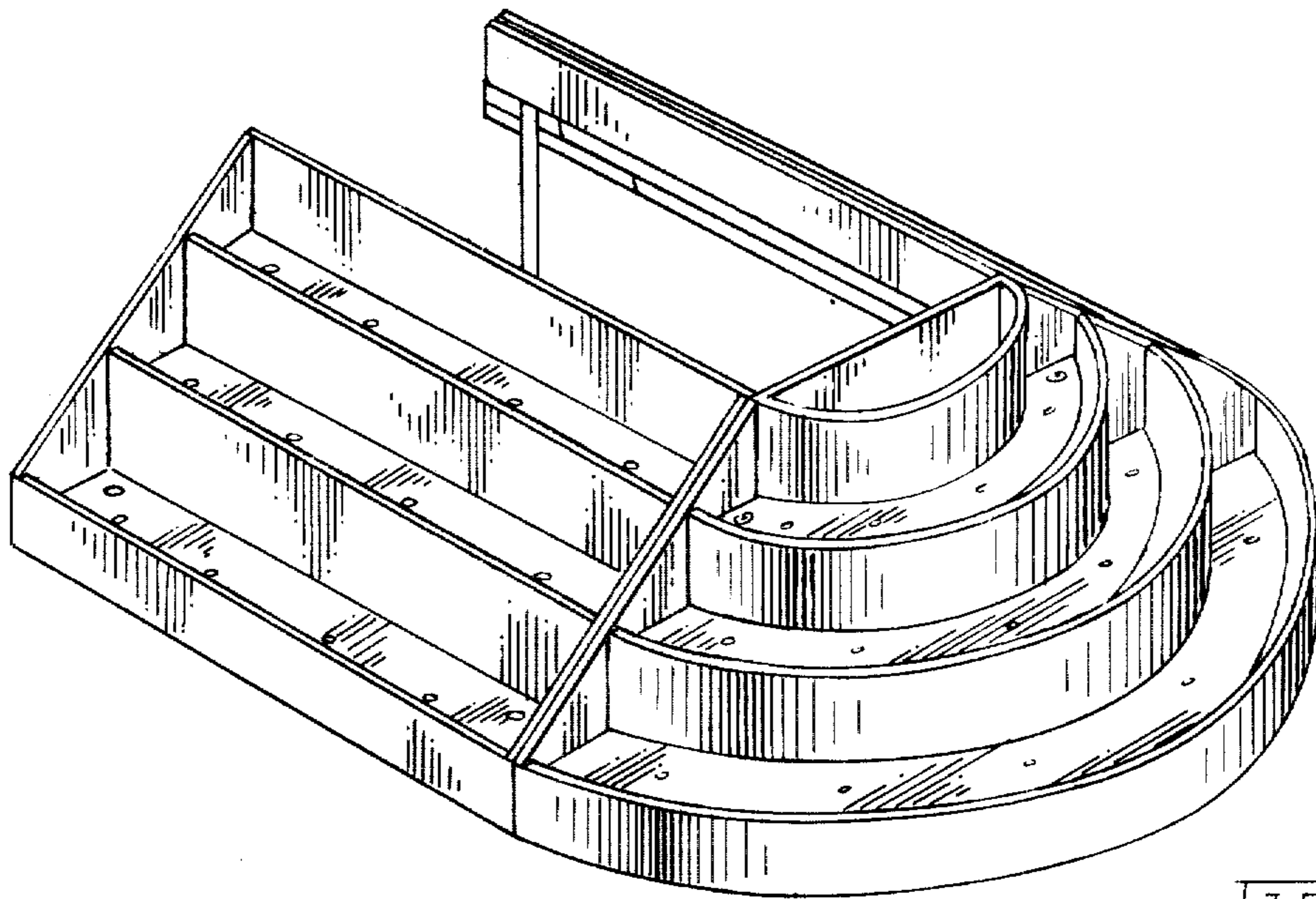


FIG - 1

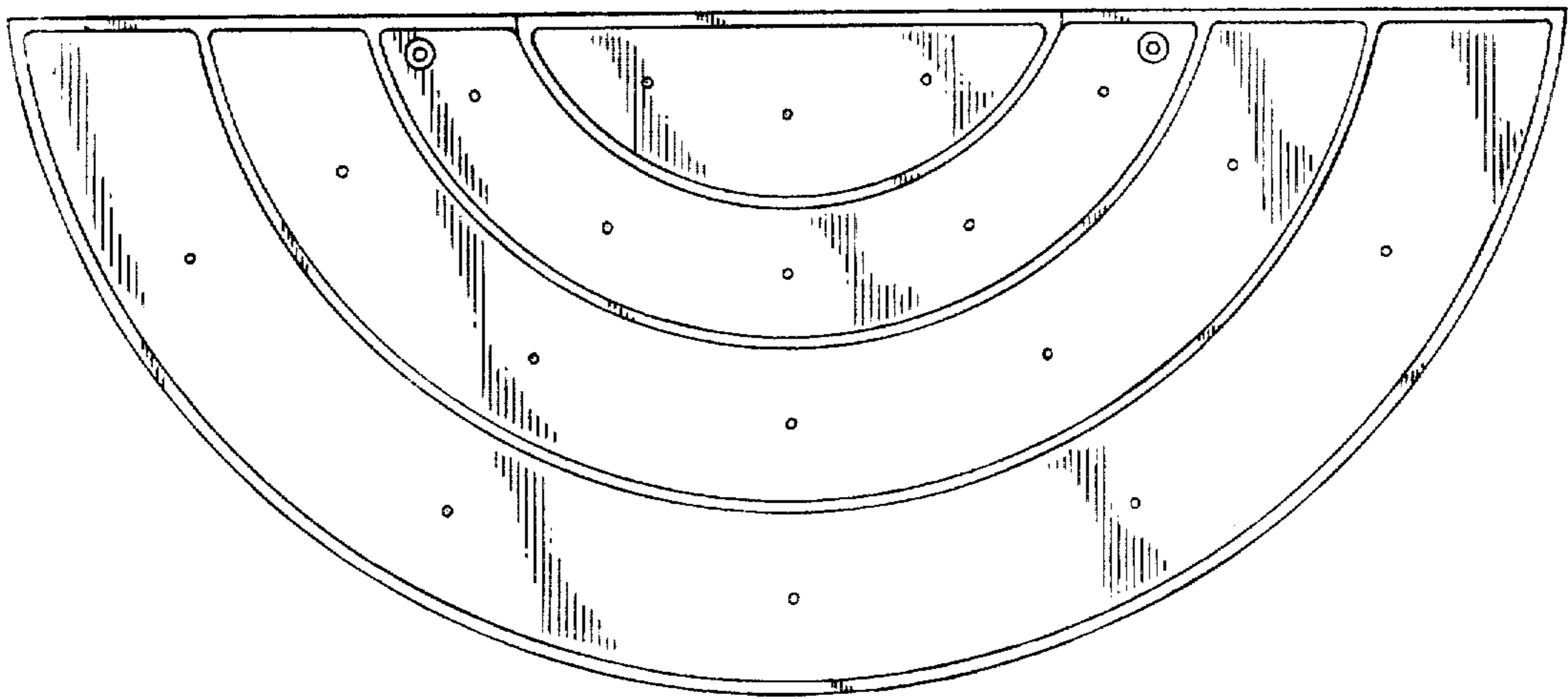


FIG - 2

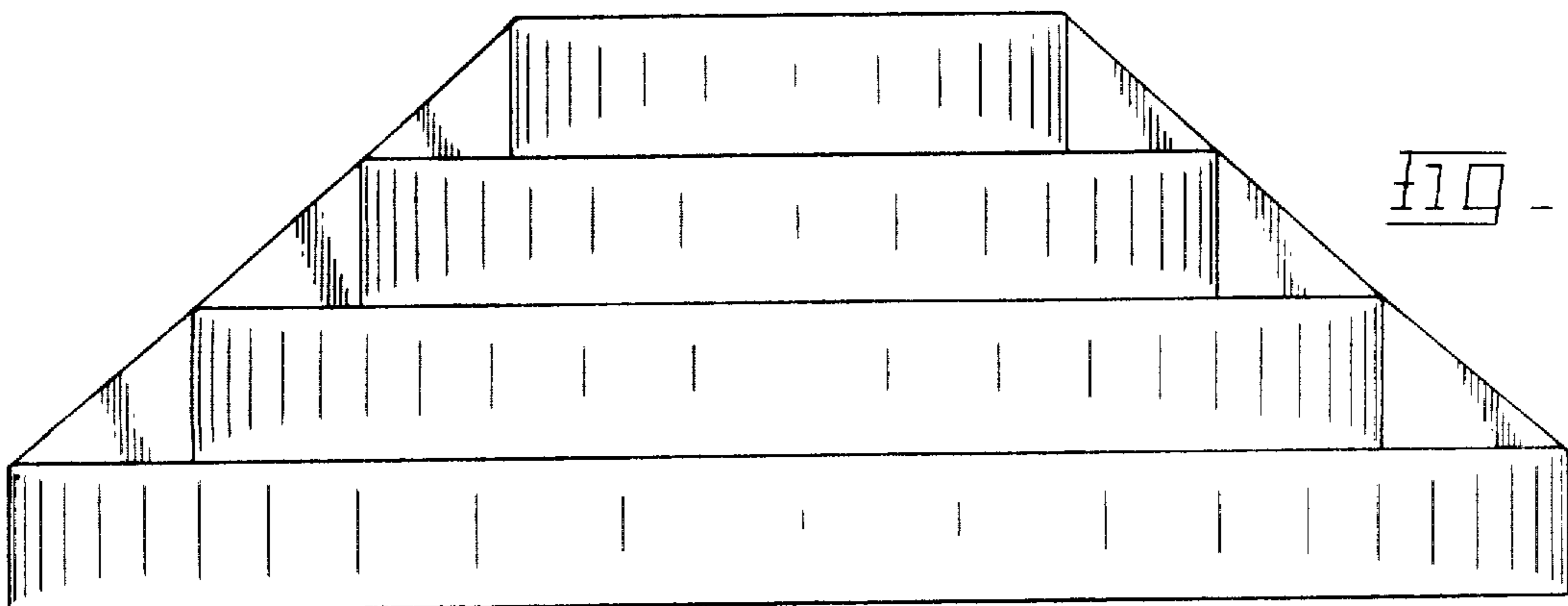
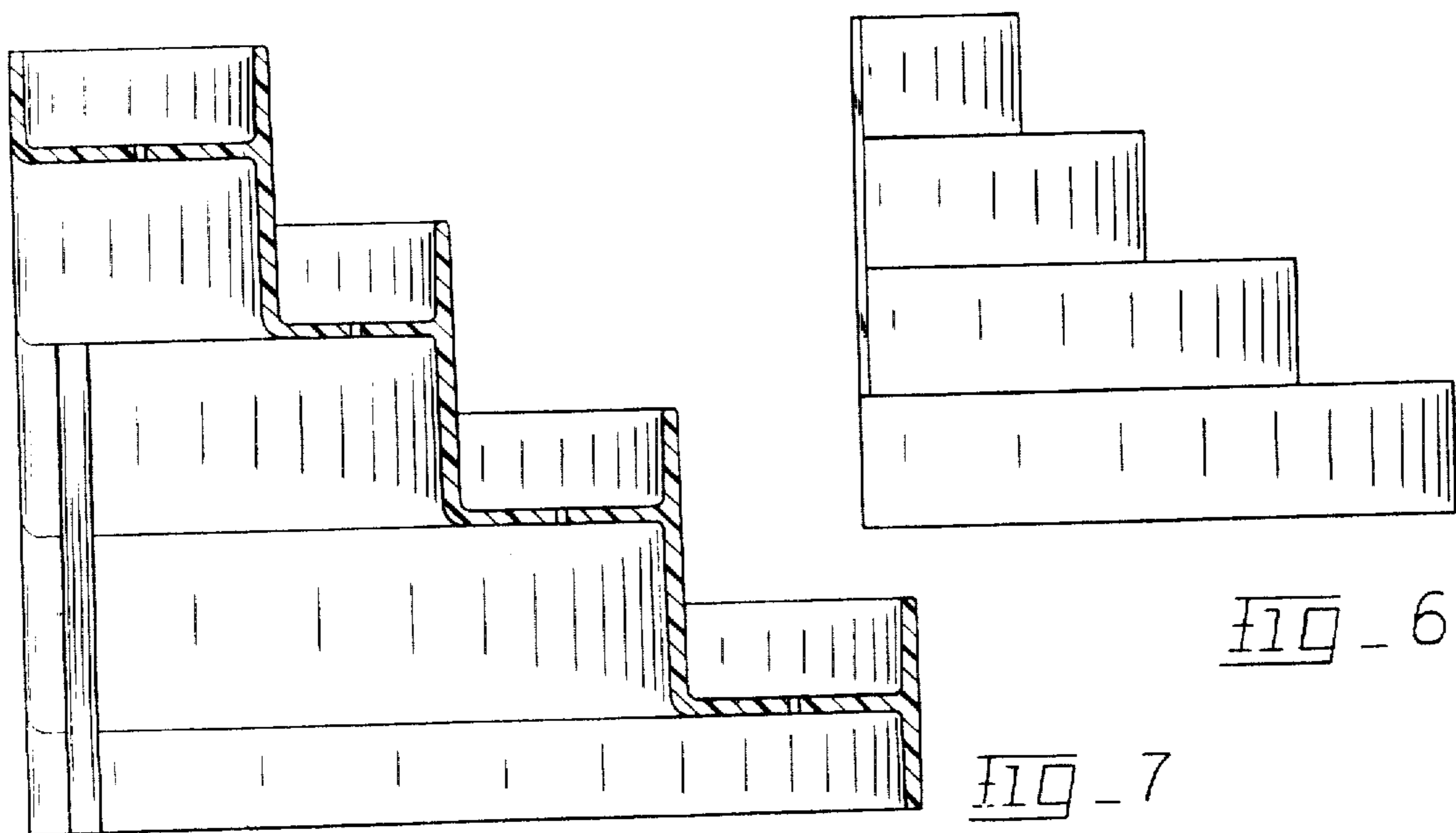
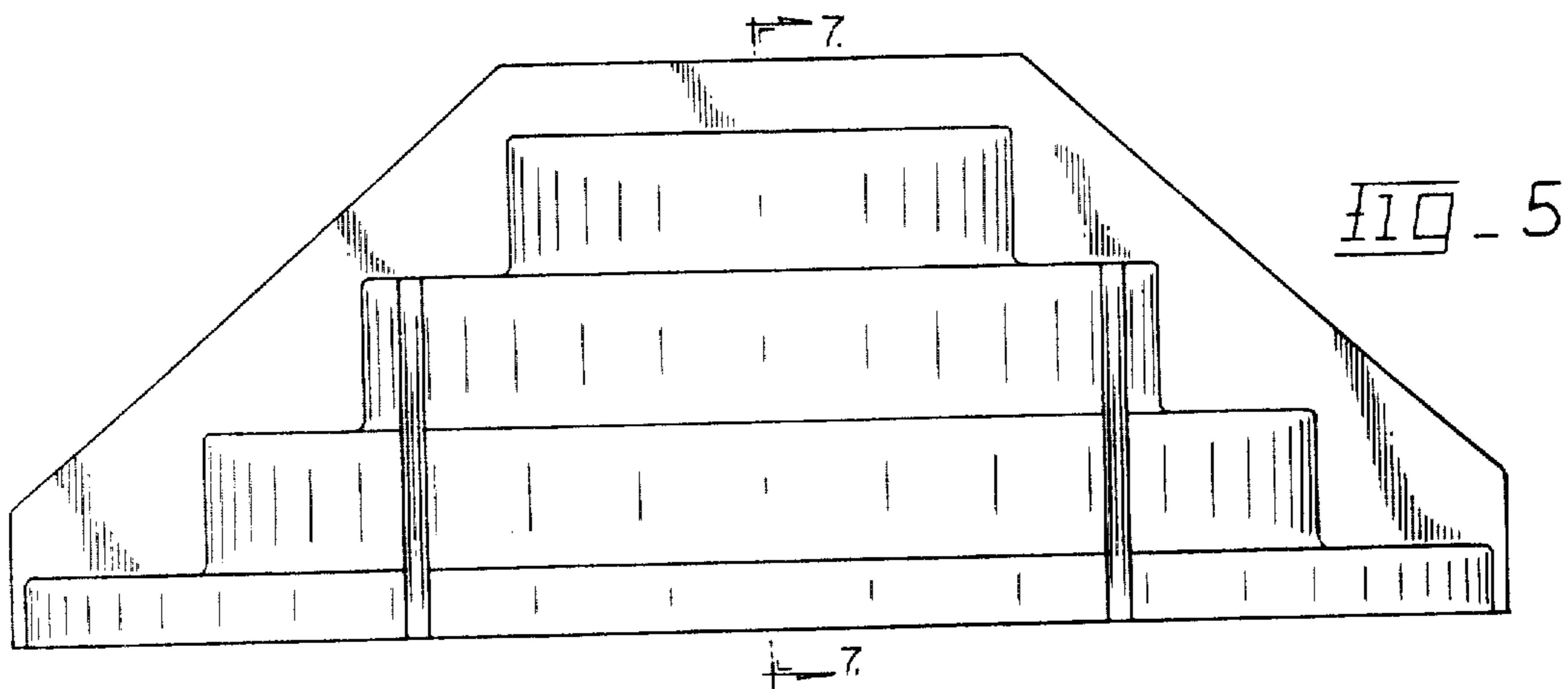
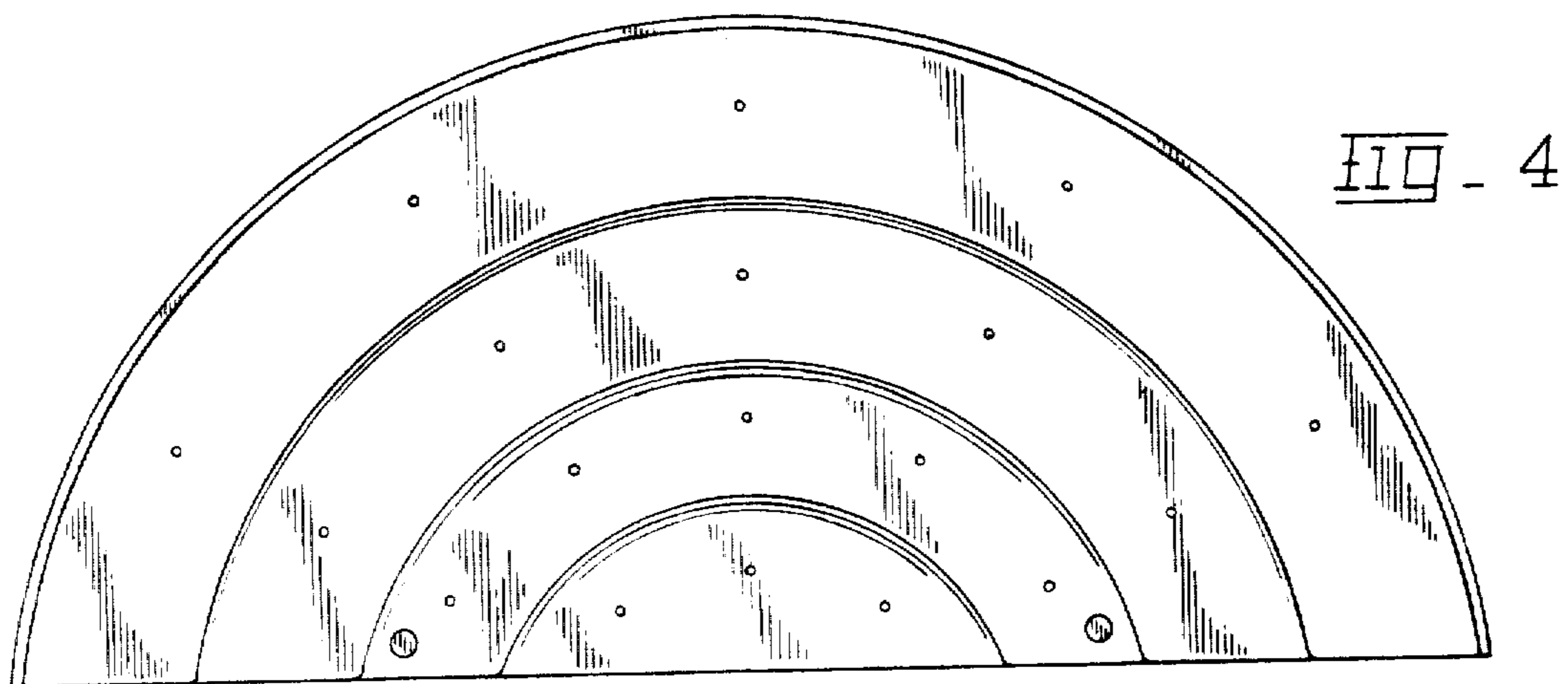


FIG - 3



12.

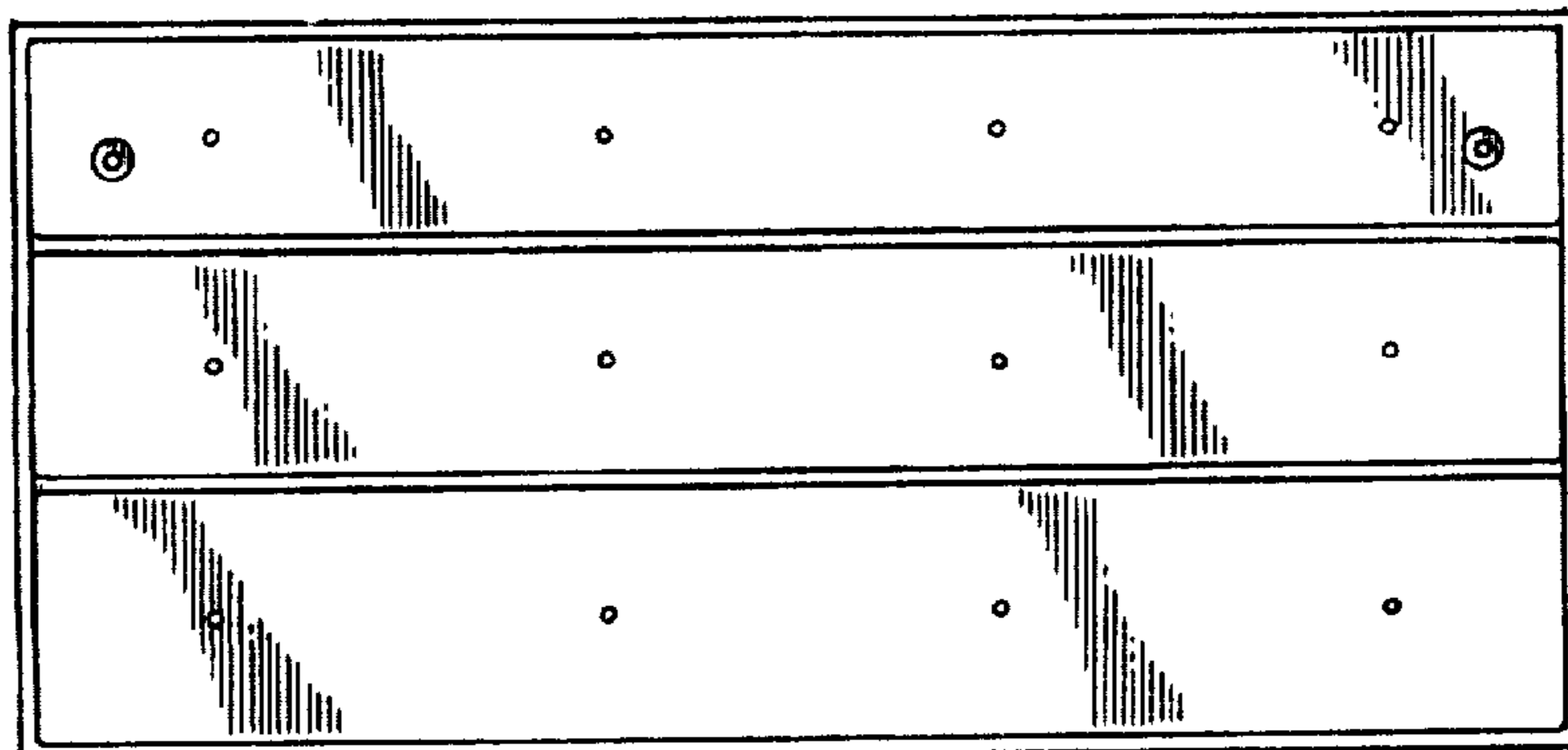


FIG - 8

12.

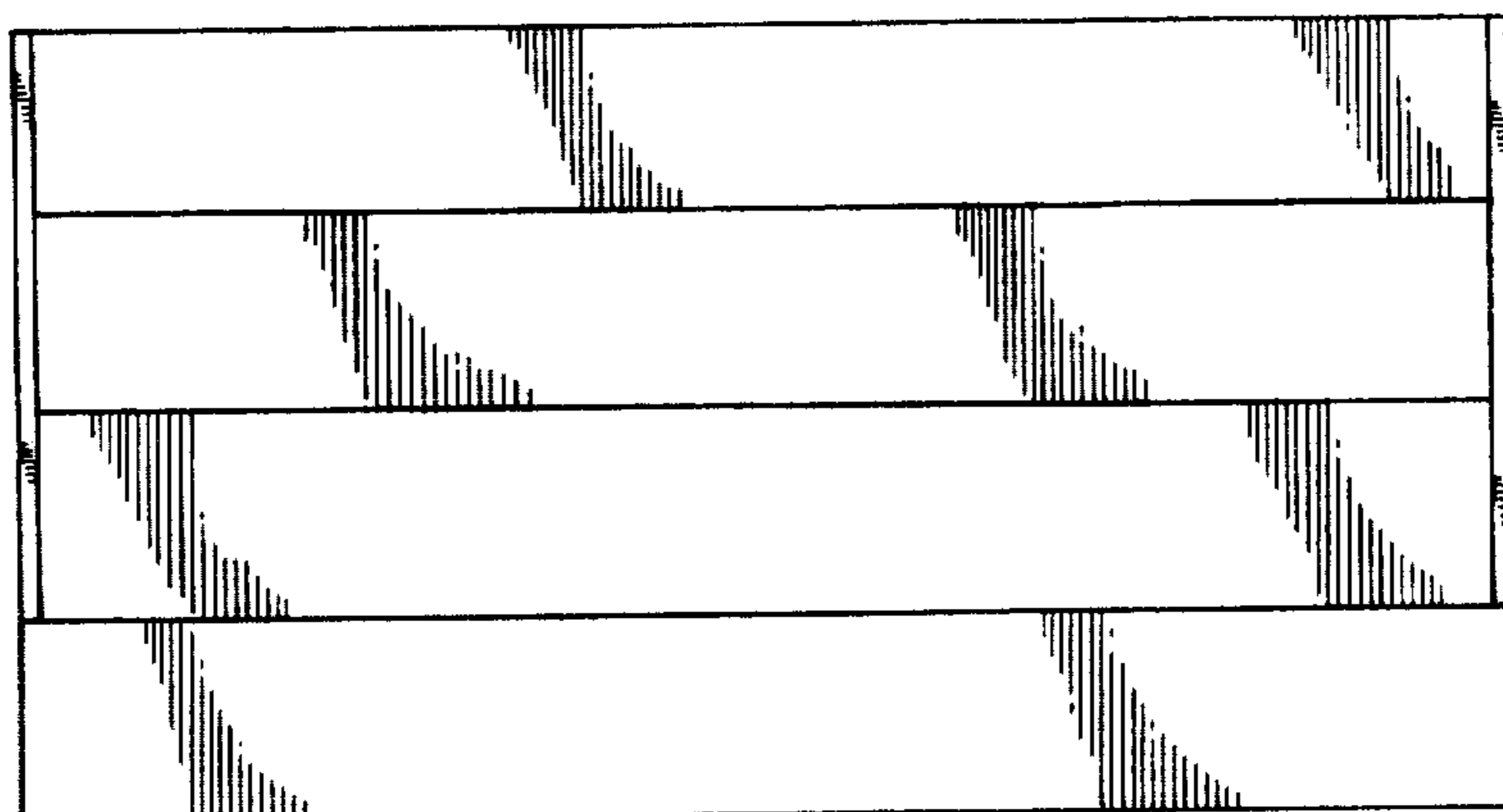


FIG - 9

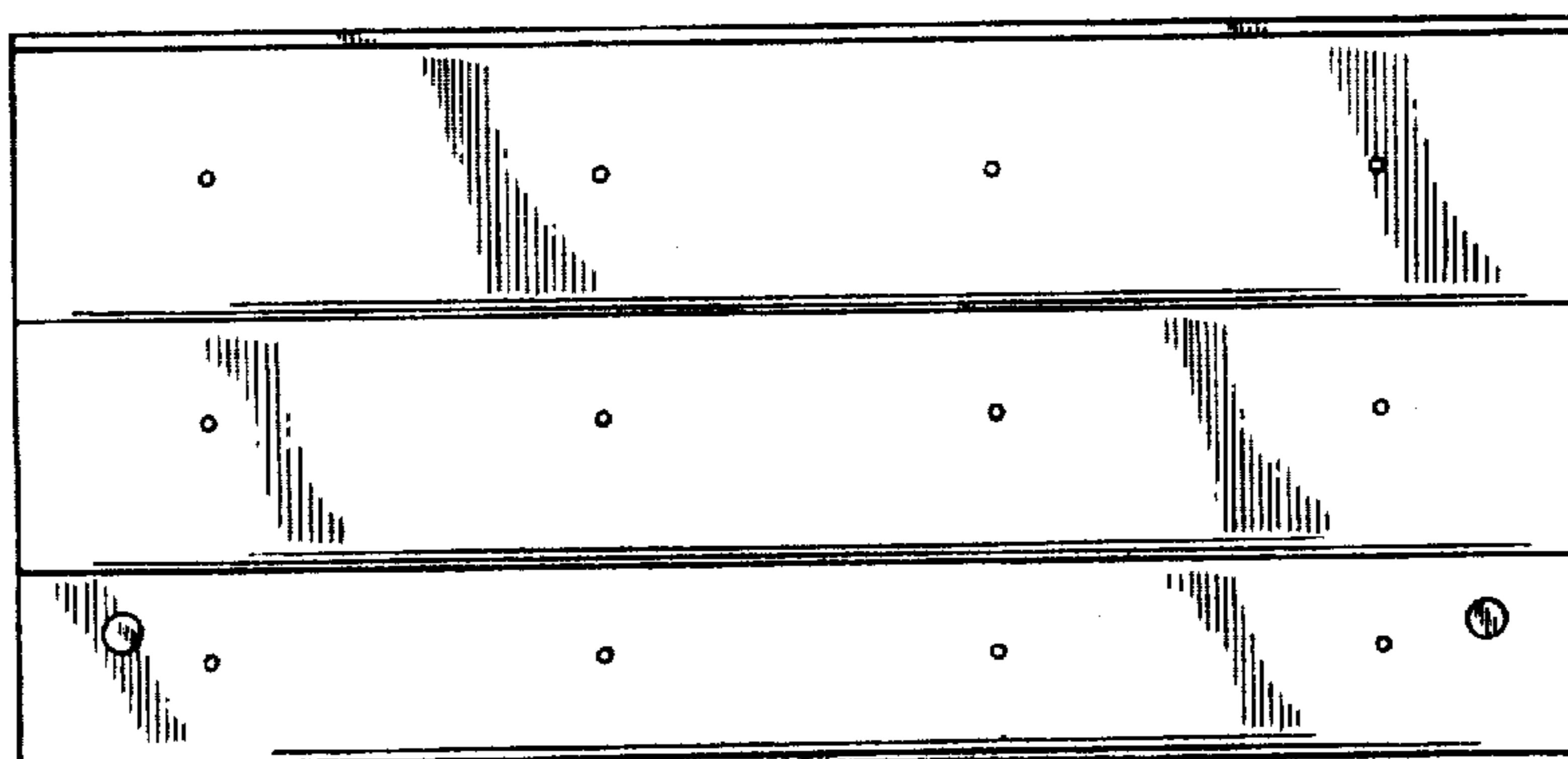


FIG - 10

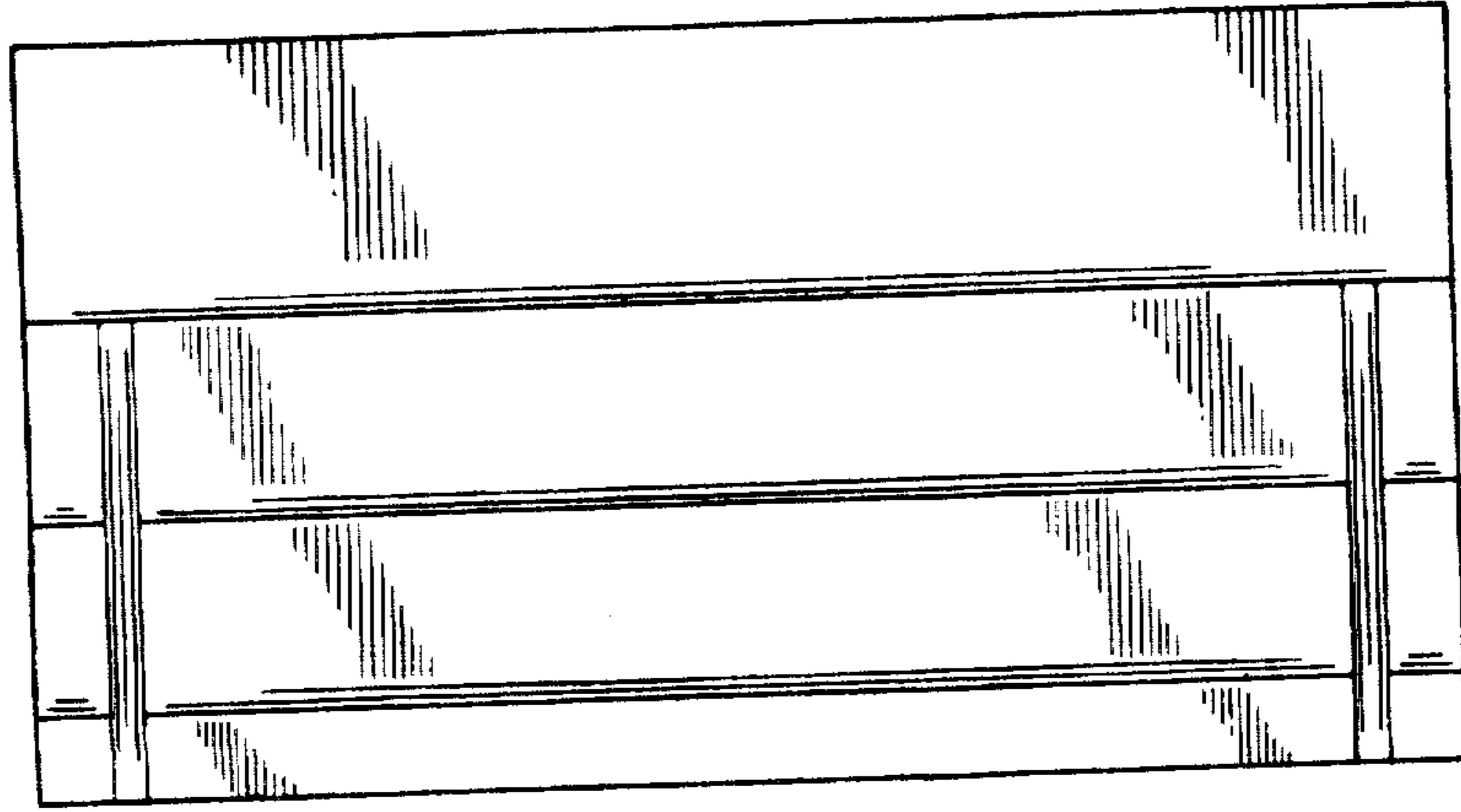


FIG. 11

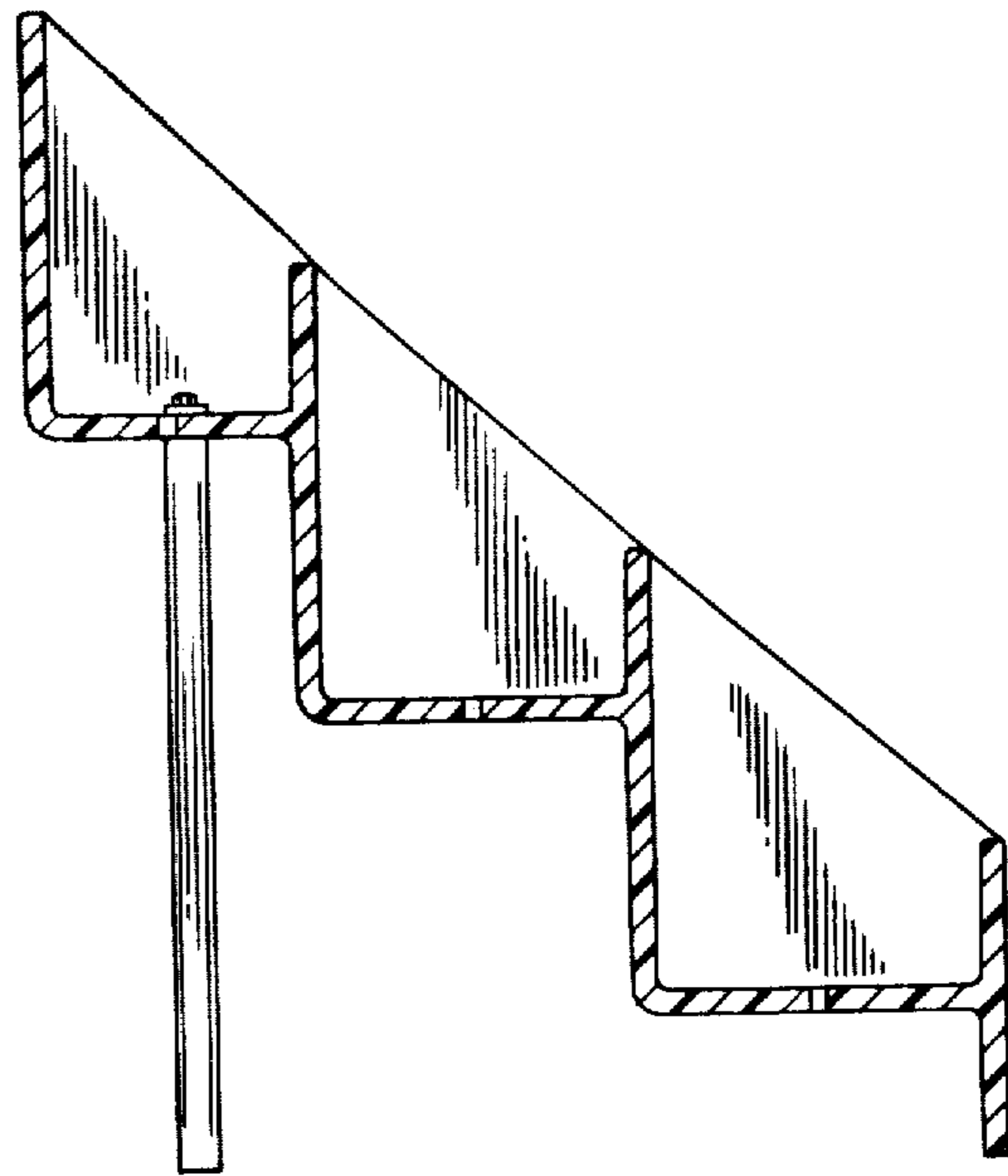


FIG. 12

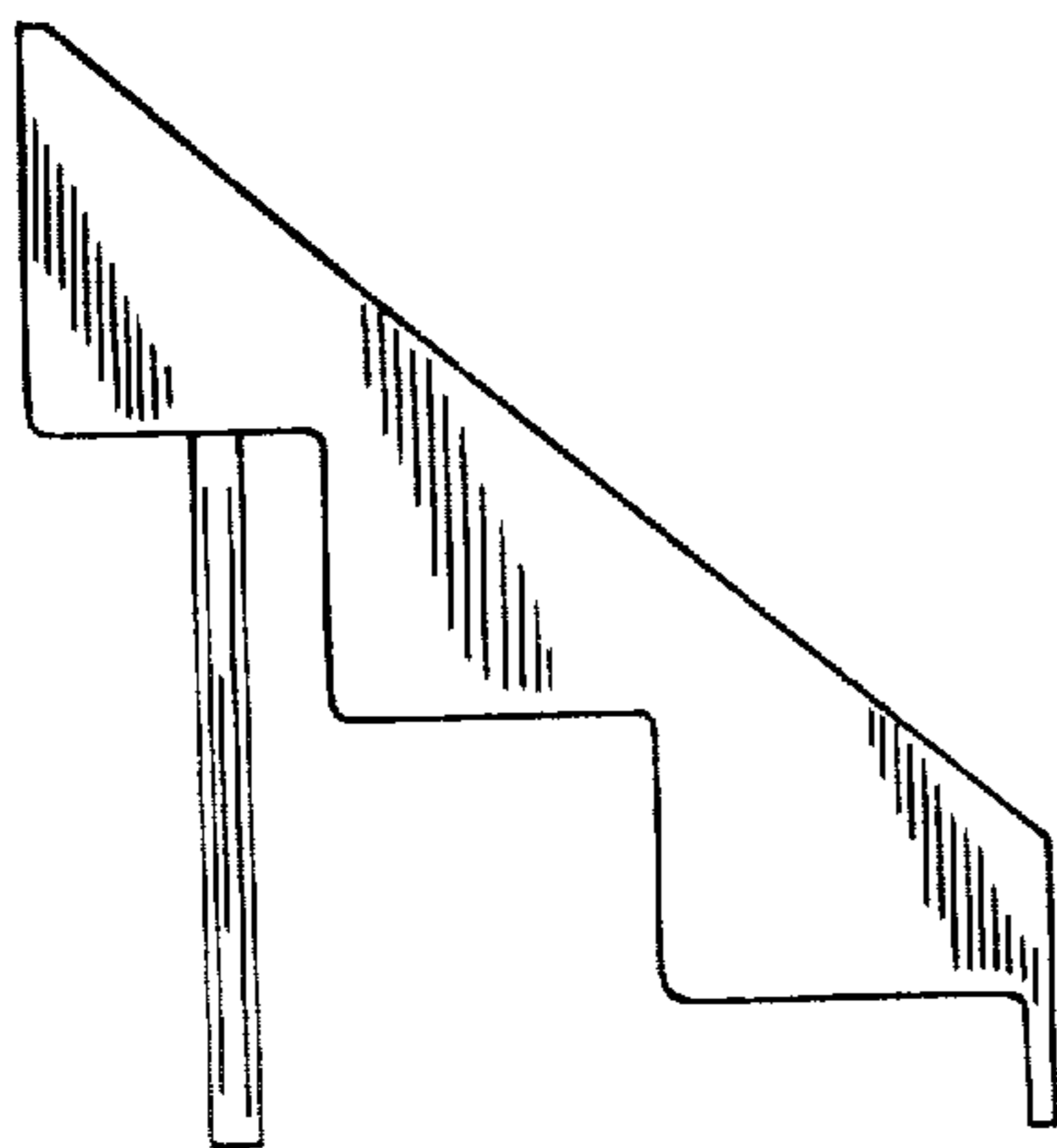


FIG. 13