

[54] COMBINED MOTION DETECTOR AND LAMP CONTROLLED THEREBY

[58] Field of Search ..... D26/24, 61, 63, 64, D26/65, 66, 72, 75, 76, 78, 80-92; 362/363, 418, 427, 282, 285, 287, 296, 297, 269, 362, 217, 220, 223, 235, 238

[75] Inventors: John F. W. Sweet, Cricklade; Michael A. Dowse, Minety; Christopher James, Swindon, all of England

[56] References Cited  
U.S. PATENT DOCUMENTS

[73] Assignee: Loadpoint Limited, Swindon, England

- D. 224,629 8/1972 Kahl, Jr. .... D10/106
- D. 227,692 7/1973 Hughes et al. .... D26/76
- D. 229,355 11/1973 Rausch ..... D26/51 X
- D. 232,256 7/1974 Satoh ..... D26/80 X
- 4,090,178 5/1978 Norris ..... D10/106 X

[\*\*] Term: 14 Years

Primary Examiner—Susan J. Lucas  
Attorney, Agent, or Firm—Young & Thompson

[21] Appl. No.: 228,794

[57] CLAIM

The ornamental design for a combined motion detector and lamp controlled thereby, as shown.

[22] Filed: Jan. 27, 1981

DESCRIPTION

[30] Foreign Application Priority Data

Nov. 14, 1980 [GB] United Kingdom ..... 997588

FIG. 1 is a front view of a combined motion detector and lamp controlled thereby showing our new design; FIG. 2 is a rear view thereof; FIG. 3 is a right side view thereof; FIG. 4 is a left side view thereof; FIG. 5 is a top plan view thereof; and FIG. 6 is a bottom plan view thereof.

[51] Int. Cl. .... D10-05; D26-05  
[52] U.S. Cl. .... D10/106; D26/24; D26/51

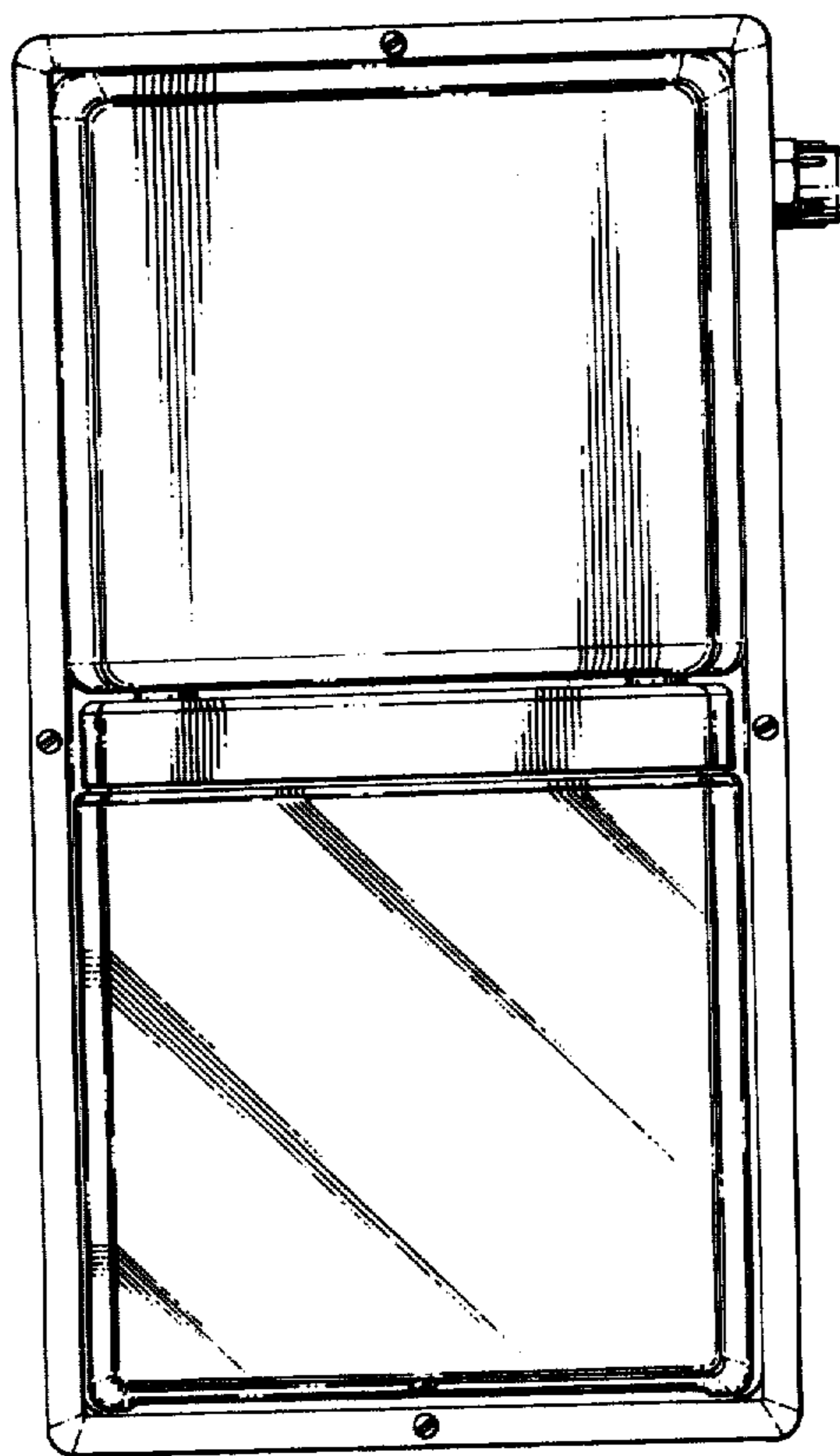


FIG. 1.

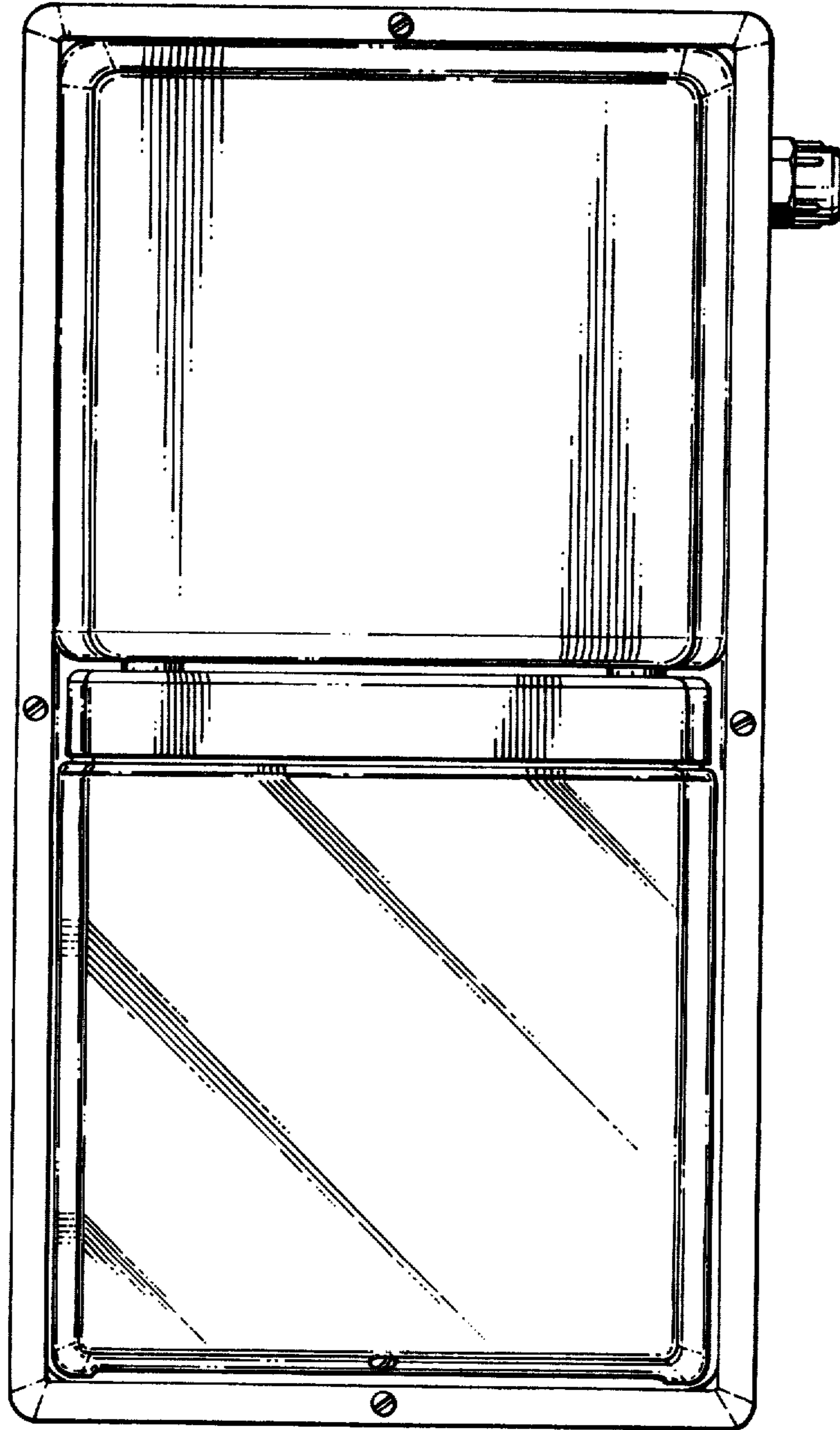


FIG. 2.

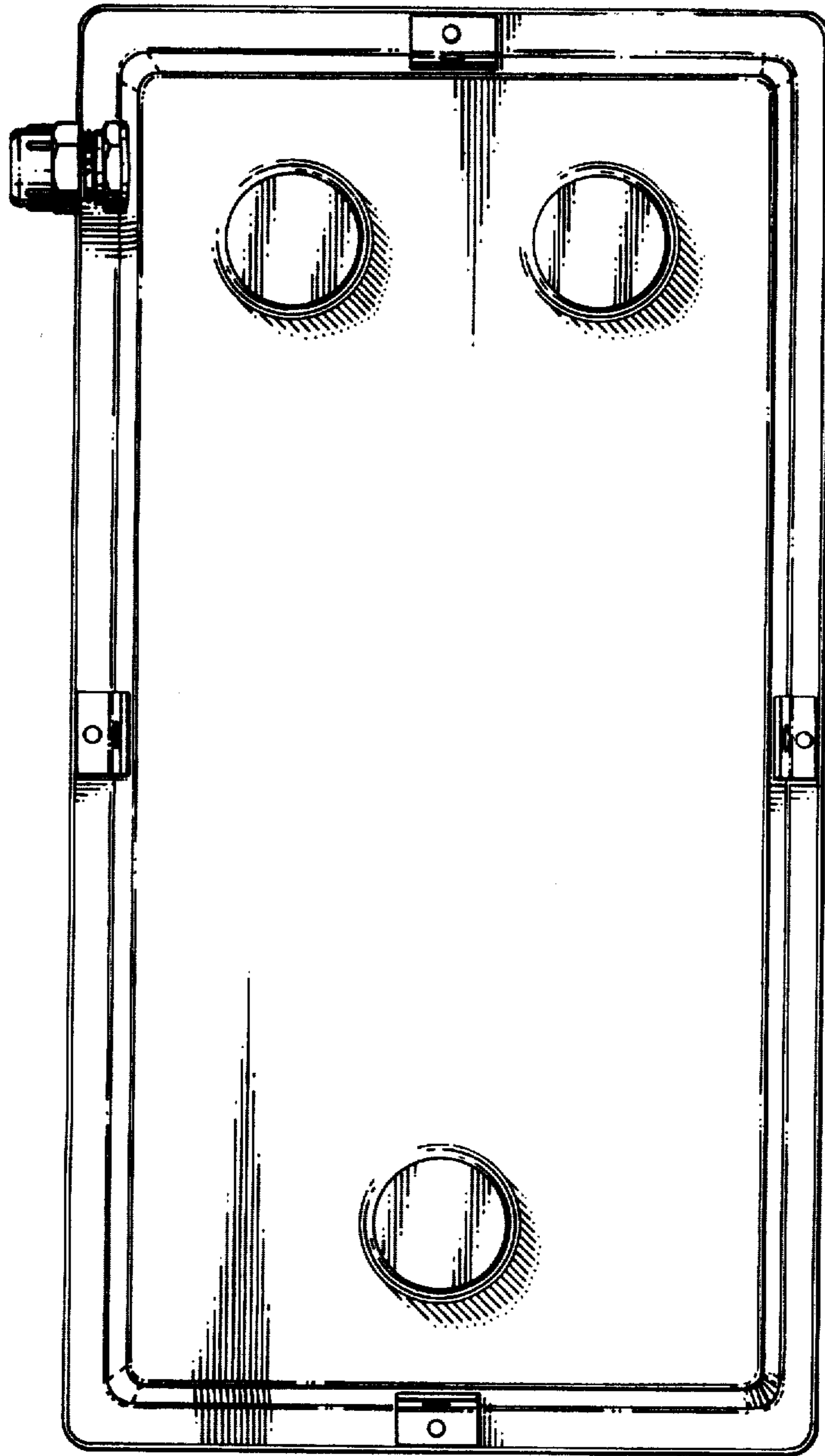


FIG. 3.

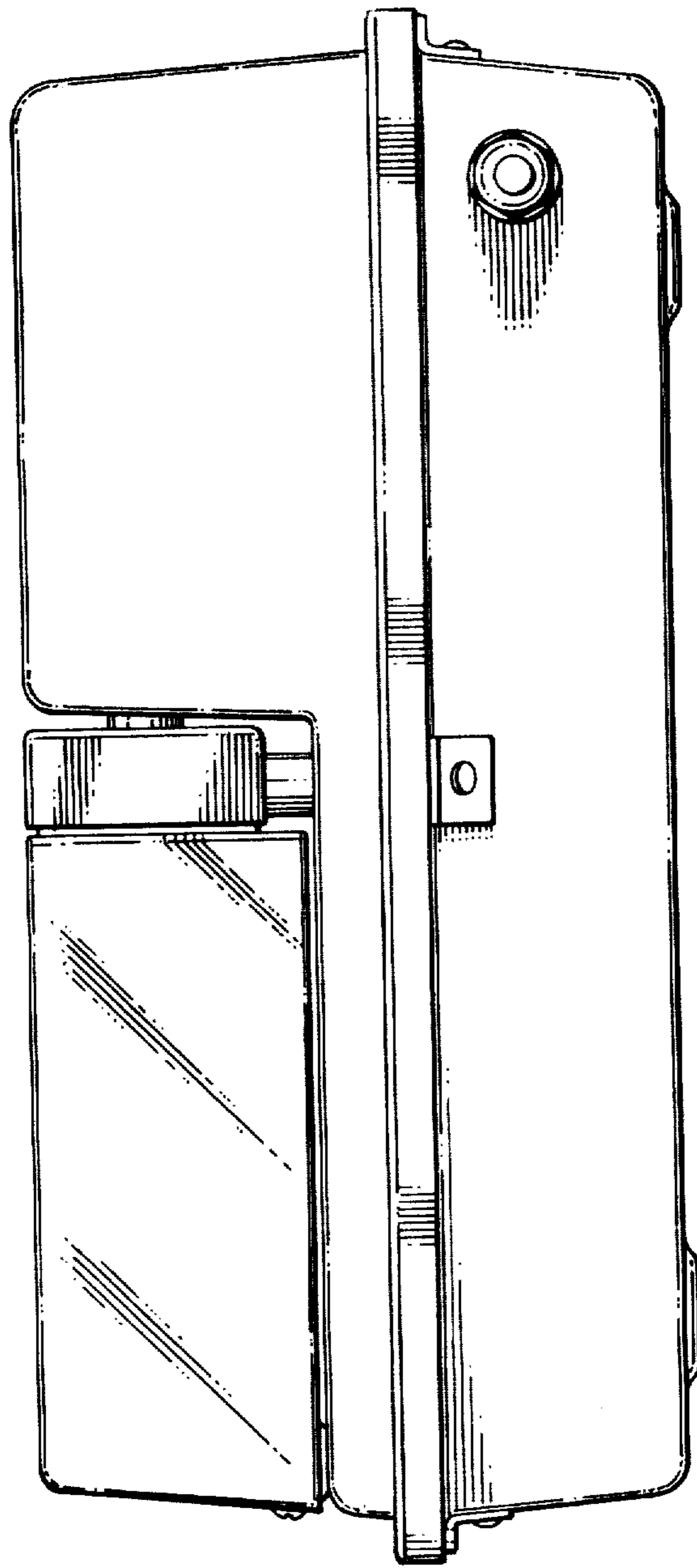


FIG. 4.

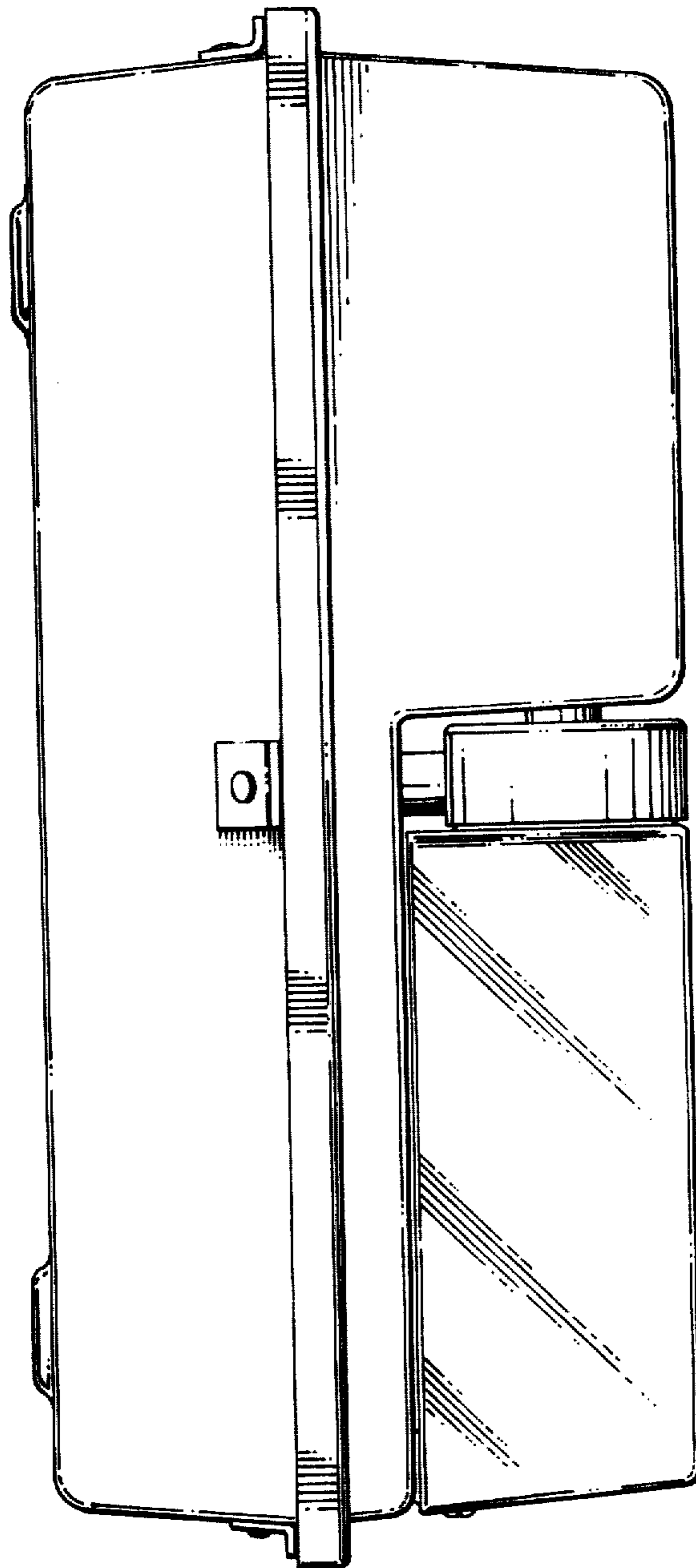


FIG. 5.

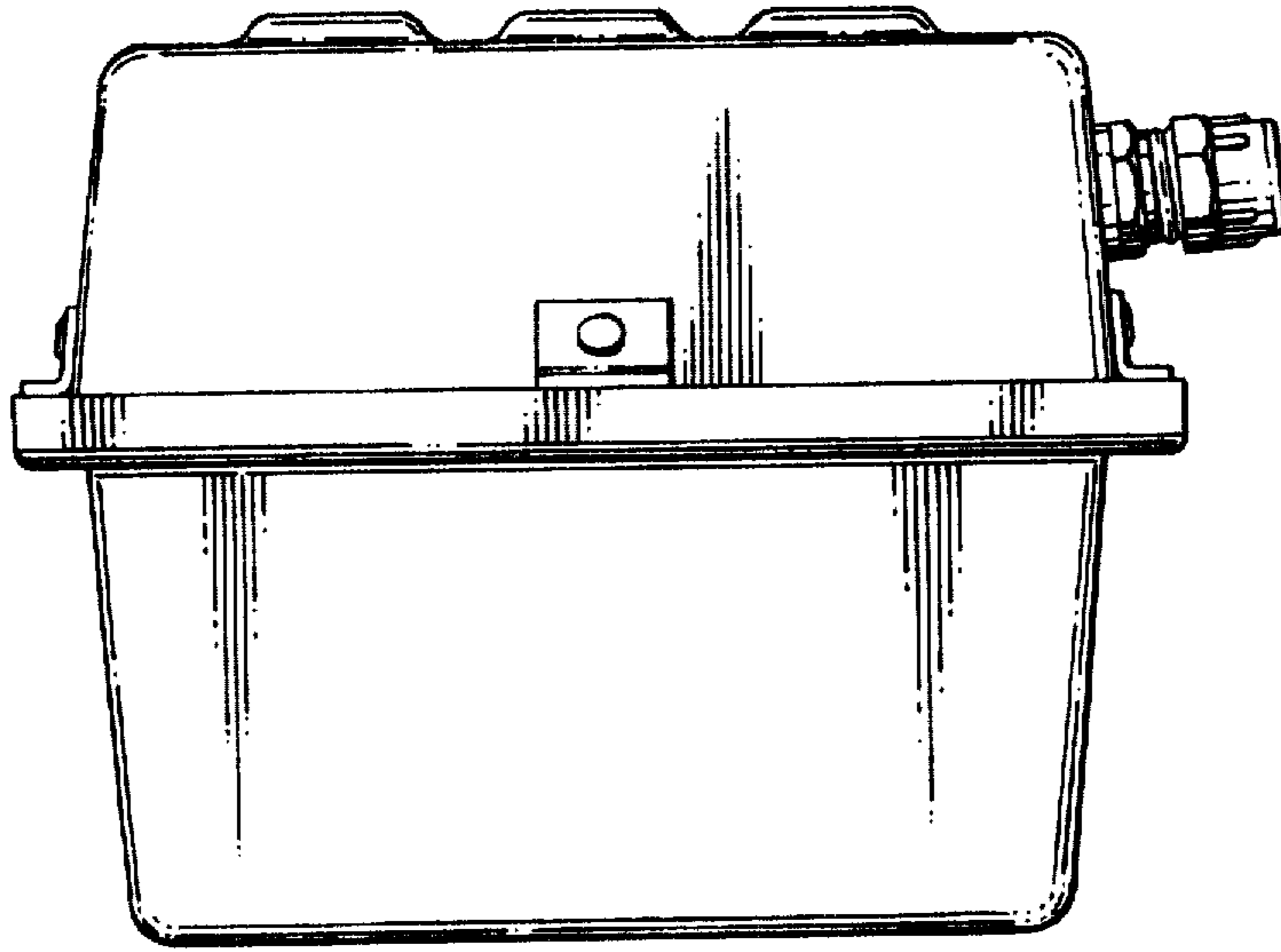


FIG. 6.

