

[54] **HOUSING FOR A THERMOCOUPLE CONNECTOR HEAD**

[76] Inventor: **Roger S. Waterman**, 1329 W. 130 St., Gardena, Calif. 90247

[**] Term: **14 Years**

[21] Appl. No.: **173,830**

[22] Filed: **Jul. 30, 1980**

[51] Int. Cl. **D10-04**

[52] U.S. Cl. **D10/46; D23/40; D23/46**

[58] Field of Search **D23/1, 40, 43, 46; D10/46, 50, 57**

References Cited

U.S. PATENT DOCUMENTS

D. 31,891	11/1899	Georgo et al.	D23/40
D. 39,859	3/1900	Vogel	D23/43
D. 46,197	8/1914	Bragger	D23/46
D. 51,062	7/1917	Goetz	D23/40

D. 92,351	5/1934	Hiergesoll	D10/50
D. 157,682	3/1950	James et al.	D10/50
D. 174,545	4/1955	Grayson et al.	D10/50
D. 186,319	10/1959	Greene	D10/50
D. 196,875	11/1963	Engelhard	D10/57
D. 232,217	7/1974	Dankert et al.	D10/50
D. 255,552	6/1980	Schonstedt	D10/46

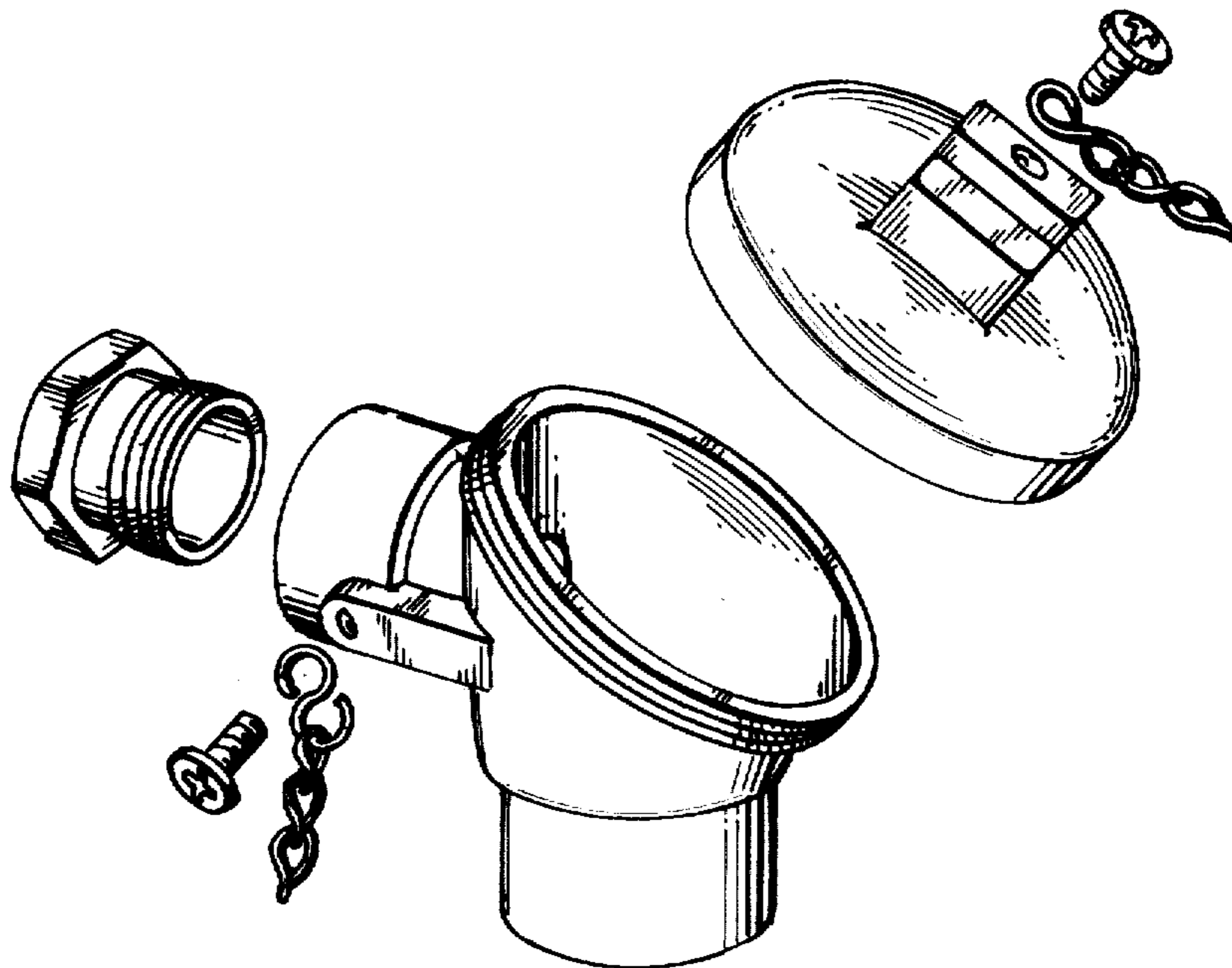
Primary Examiner—James R. Largen
Attorney, Agent, or Firm—Howard L. Johnson

[57] **CLAIM**

The ornamental design for a housing for a thermocouple connector head, as shown.

DESCRIPTION

FIG. 1 is an exploded perspective view of a housing for a thermocouple connector head showing my new design; FIG. 2 is a front elevational view thereof; FIG. 3 is a side elevational view thereof; FIG. 4 is a left side elevational view thereof; FIG. 5 is a bottom plan view thereof; and FIG. 6 is a top plan view thereof.



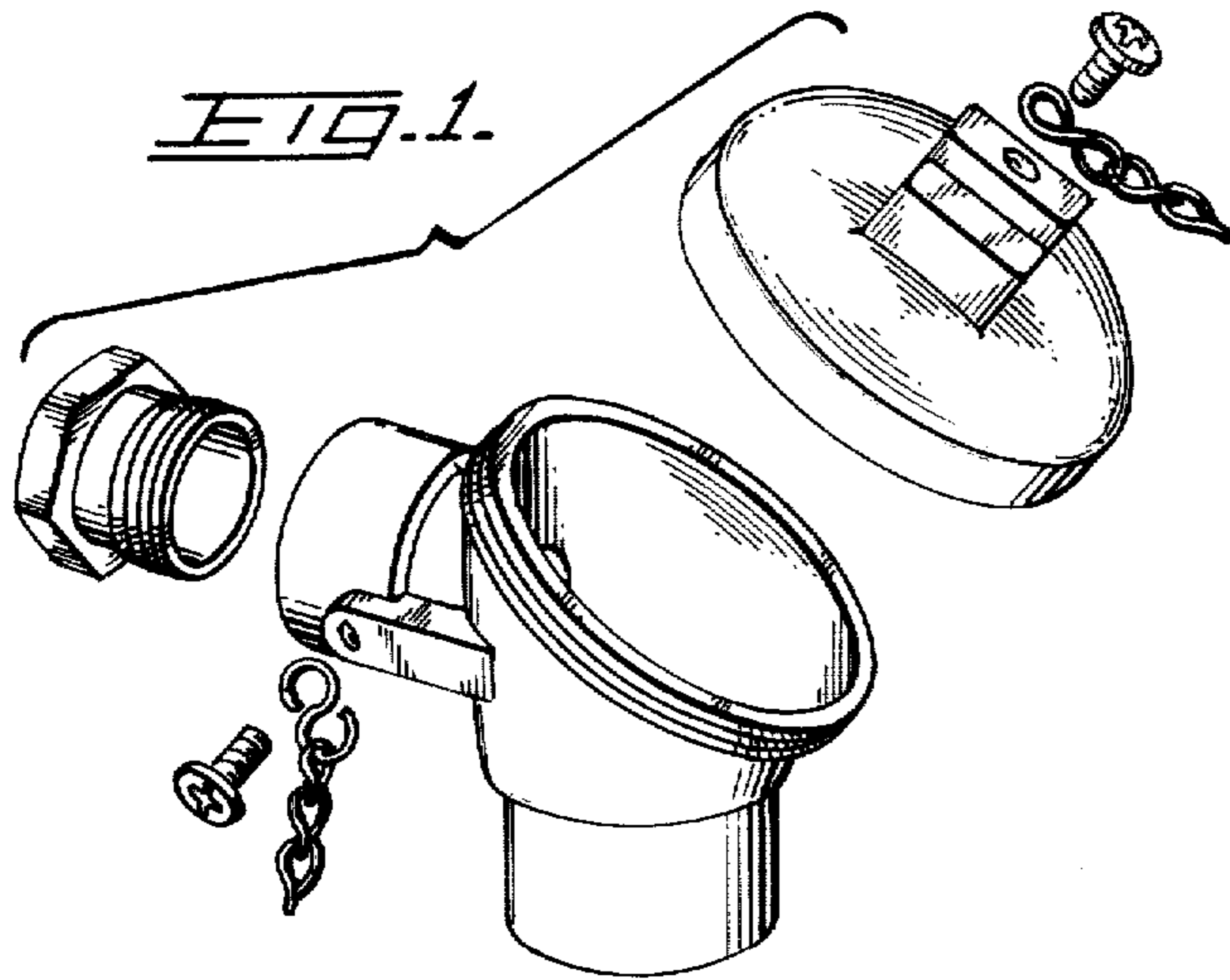


FIG. 2.

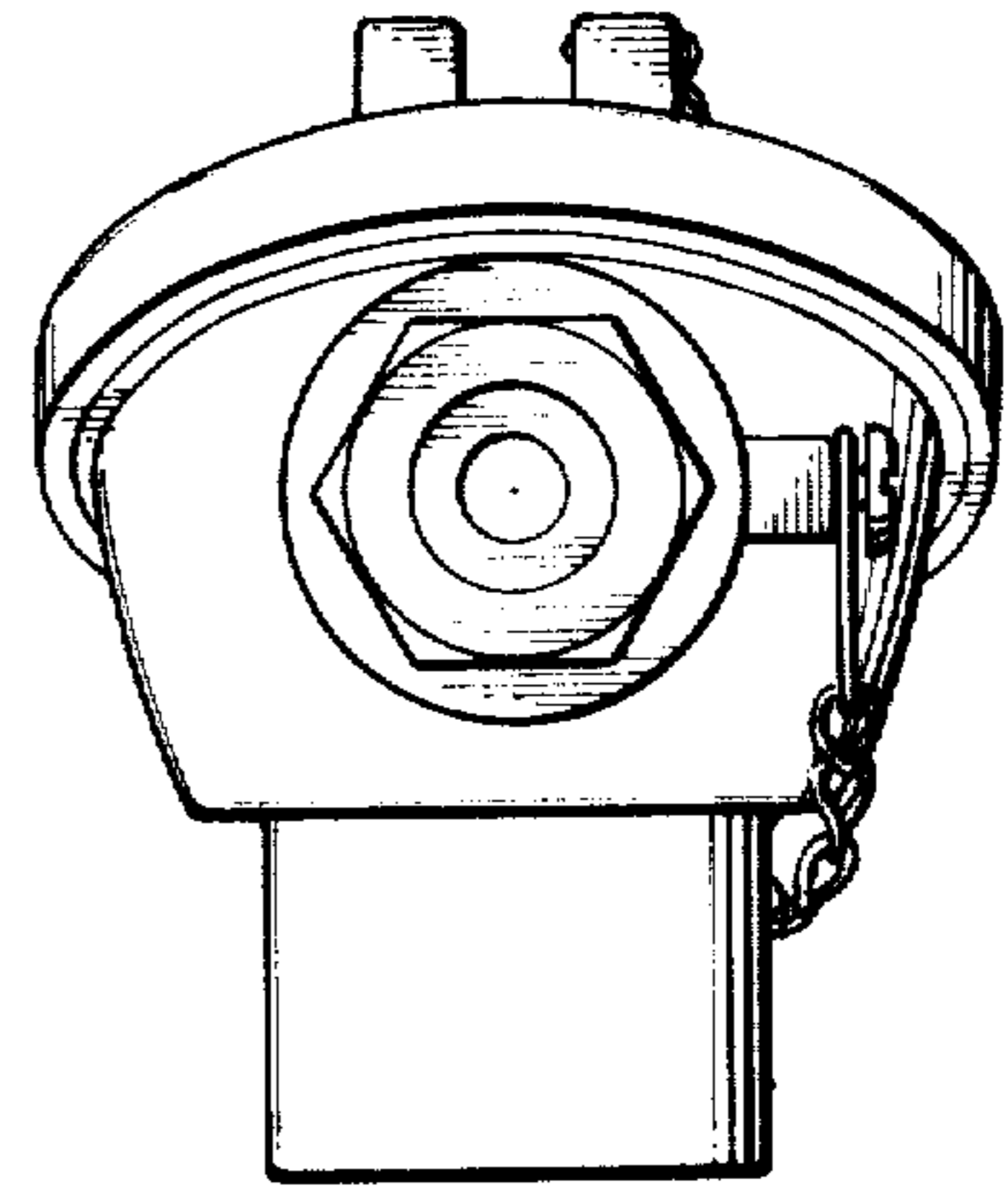


FIG. 3.

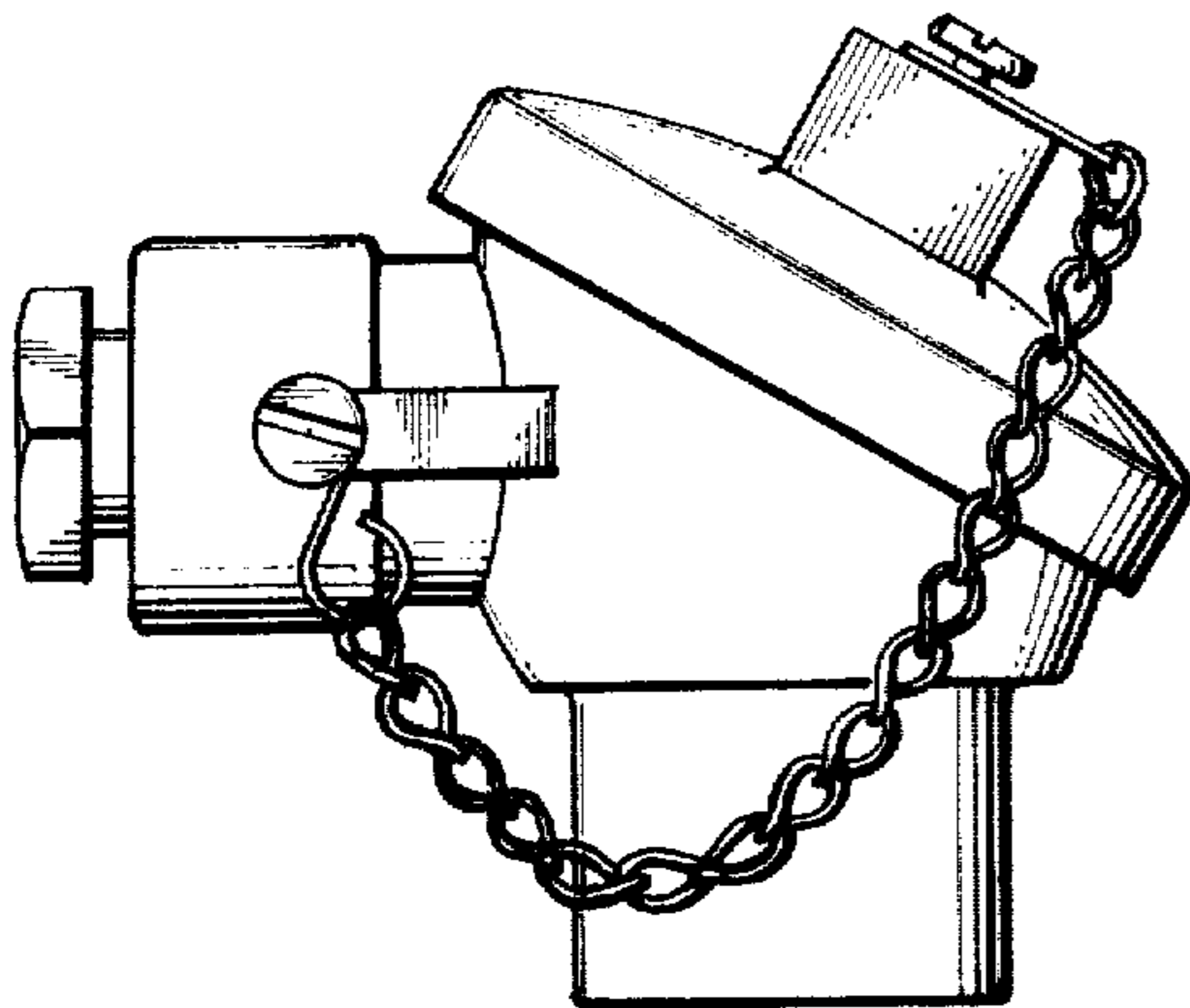


FIG. 4.

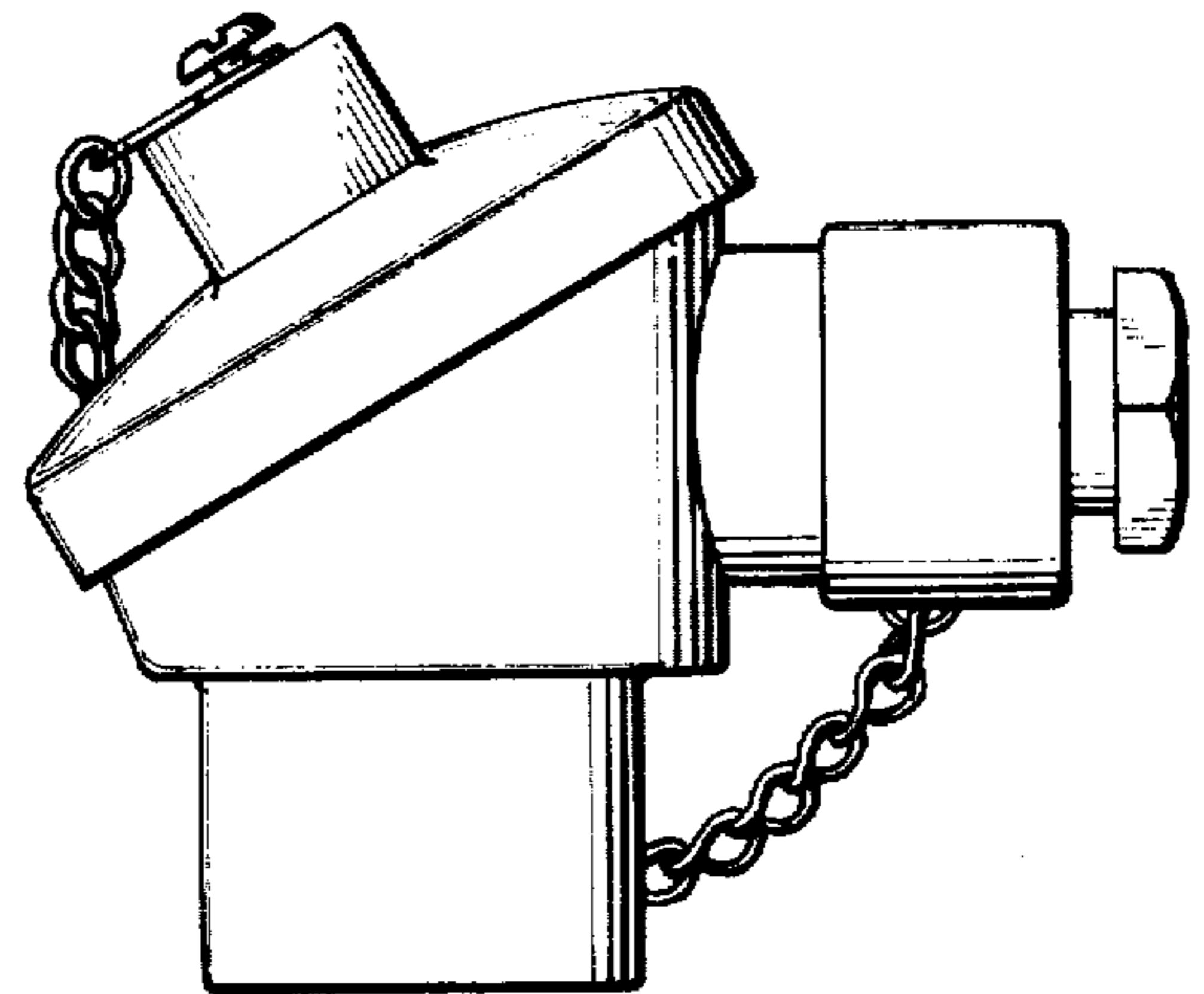


FIG. 5.

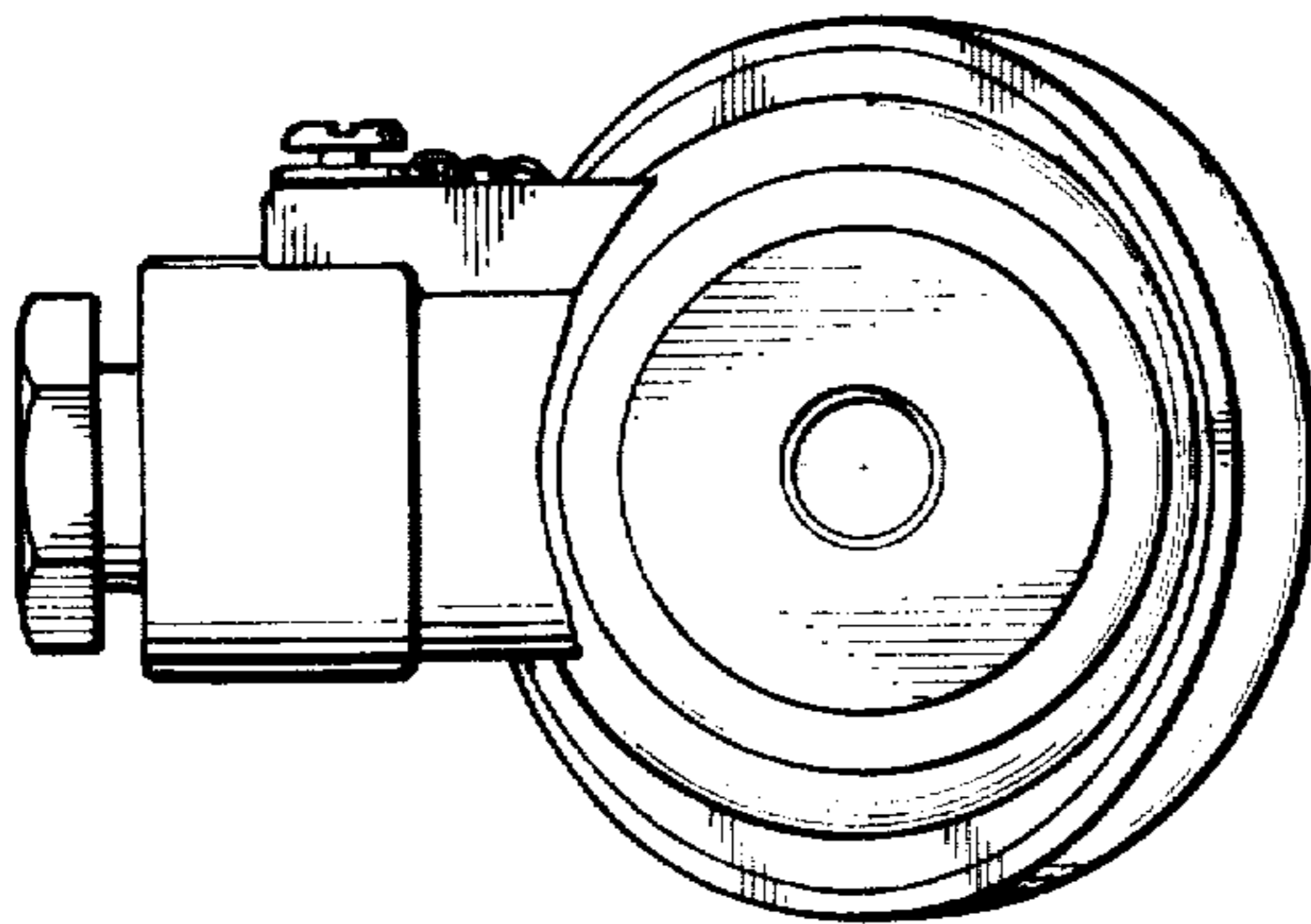


FIG. 6.

