

[54] **PACKAGING CONTAINER**

[75] Inventors: **Lehman A. Mann, Sr., West Milford, N.J.; Thomas D. Rohr, Vienna, W. Va.**

[73] Assignee: **Union Carbide Corporation, Danbury, Conn.**

[**] Term: **14 Years**

[21] Appl. No.: **214,962**

[22] Filed: **Dec. 10, 1980**

Related U.S. Application Data

[63] Continuation-in-part of Ser. No. 891,943, Mar. 30, 1978.

[51] Int. Cl. **D9-03**

[52] U.S. Cl. **D9/416; D9/418**

[58] Field of Search 206/45.31, 409; 229/17 R, 17 S, 7 R; D9/416, 418, 432, 433

References Cited

U.S. PATENT DOCUMENTS

D. 92,563	6/1934	Sickel	D9/418
D. 95,934	6/1935	Smith	D9/418
D. 108,606	2/1938	Nagle	D9/433
D. 190,772	6/1961	Cuyler	D9/418
D. 201,318	6/1965	Tamarin et al.	D9/418
D. 210,068	2/1968	King	D9/418
D. 219,135	11/1970	Horblitt	D9/418
2,085,882	7/1937	Wandel	206/57
2,115,673	4/1938	Stompe	229/17 S
2,126,106	8/1938	Goldberg	229/17

2,529,853	11/1950	Taggart	206/57
2,621,788	12/1952	Hitchcock	206/57
2,651,409	9/1953	Fay	206/57
3,012,692	12/1961	Petersen	221/63
3,144,961	8/1964	Phenner	221/48
3,145,840	8/1964	Wright	206/57
3,195,772	7/1965	Buttery	221/33
3,227,359	1/1966	Hanlon .	
3,306,492	2/1967	Kugler	221/63
3,309,834	3/1967	Buttery	53/21
3,395,830	8/1968	Buttery	221/63
3,606,080	9/1971	Lynch et al.	221/63
3,826,361	7/1974	Heckrodt	206/409

Primary Examiner—Robert C. Spangler
Attorney, Agent, or Firm—Real J. Grandmaison; John C. LeFever

[57] **CLAIM**

The ornamental design for a packaging container, as shown and described.

DESCRIPTION

FIG. 1 is a top perspective view of a packaging container showing our new design, the dash lines representing score lines;

FIG. 2 is a view similar to FIG. 1 but showing the packaging container in an open condition;

FIG. 3 is a side elevational view showing the side opposite that seen in FIG. 1;

FIG. 4 is an end elevational view; and

FIG. 5 is a bottom plan view.

The characteristic feature of our design resides in the appearance and configuration of the opening area on the container shown.

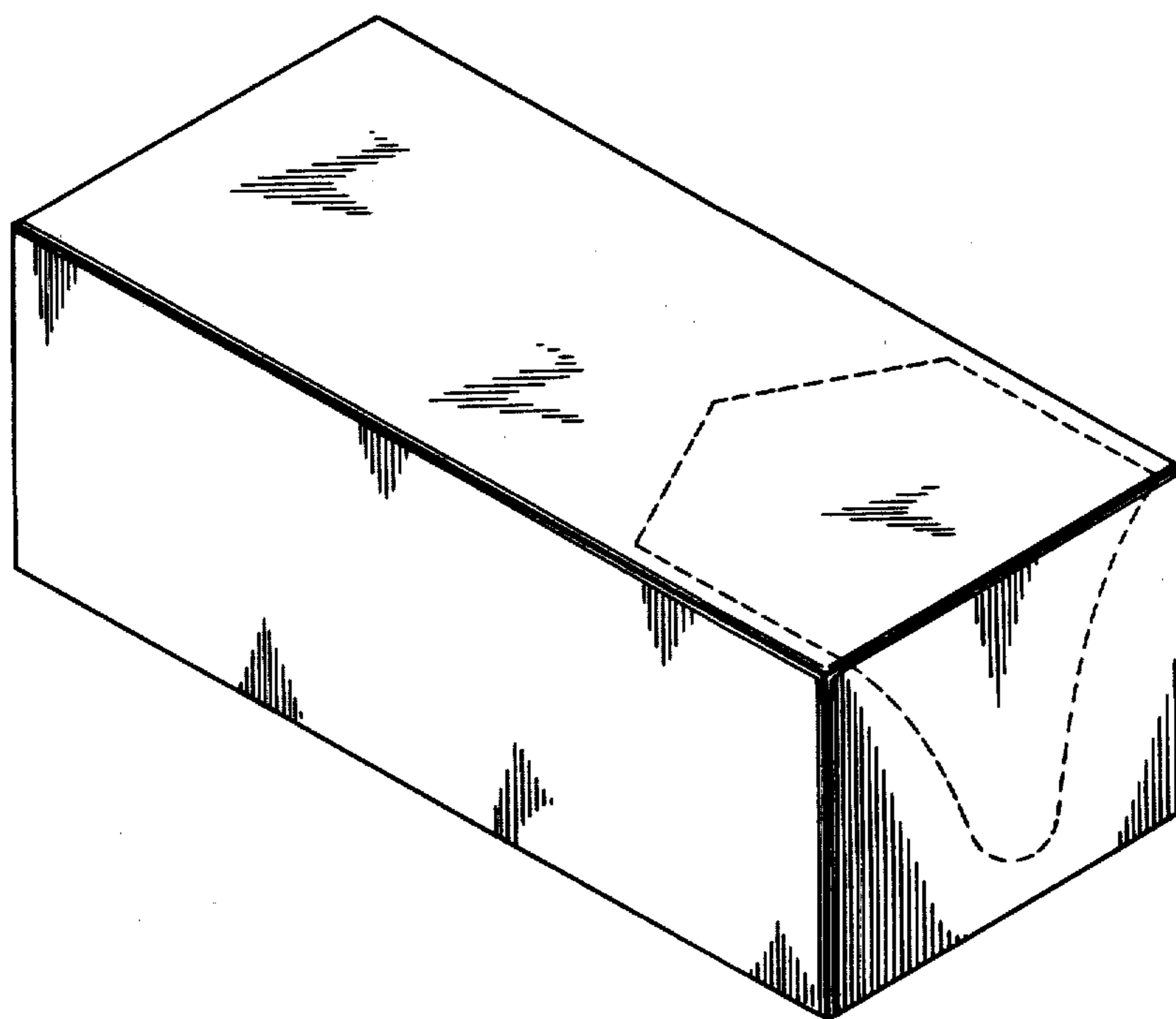
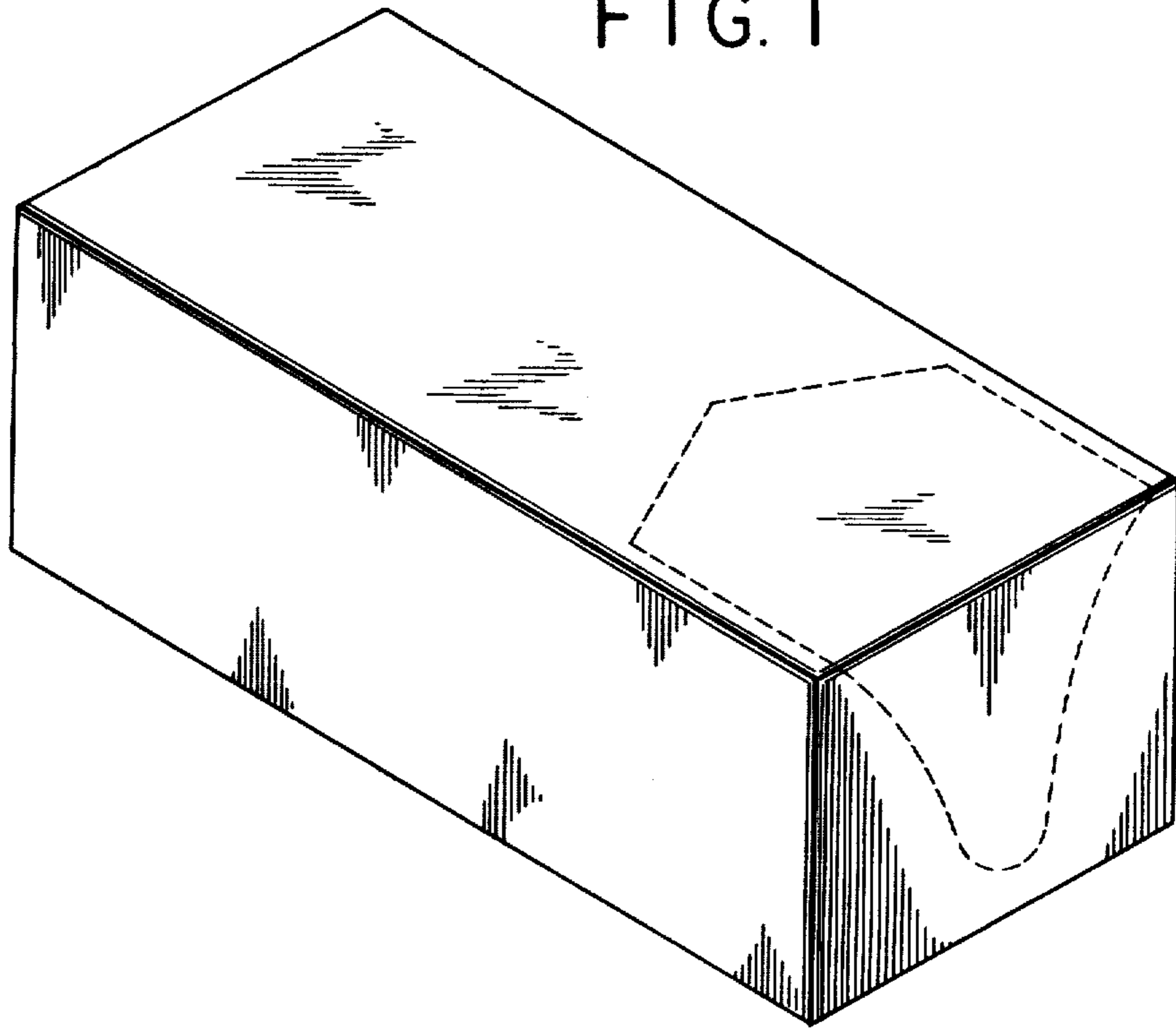


FIG. 1



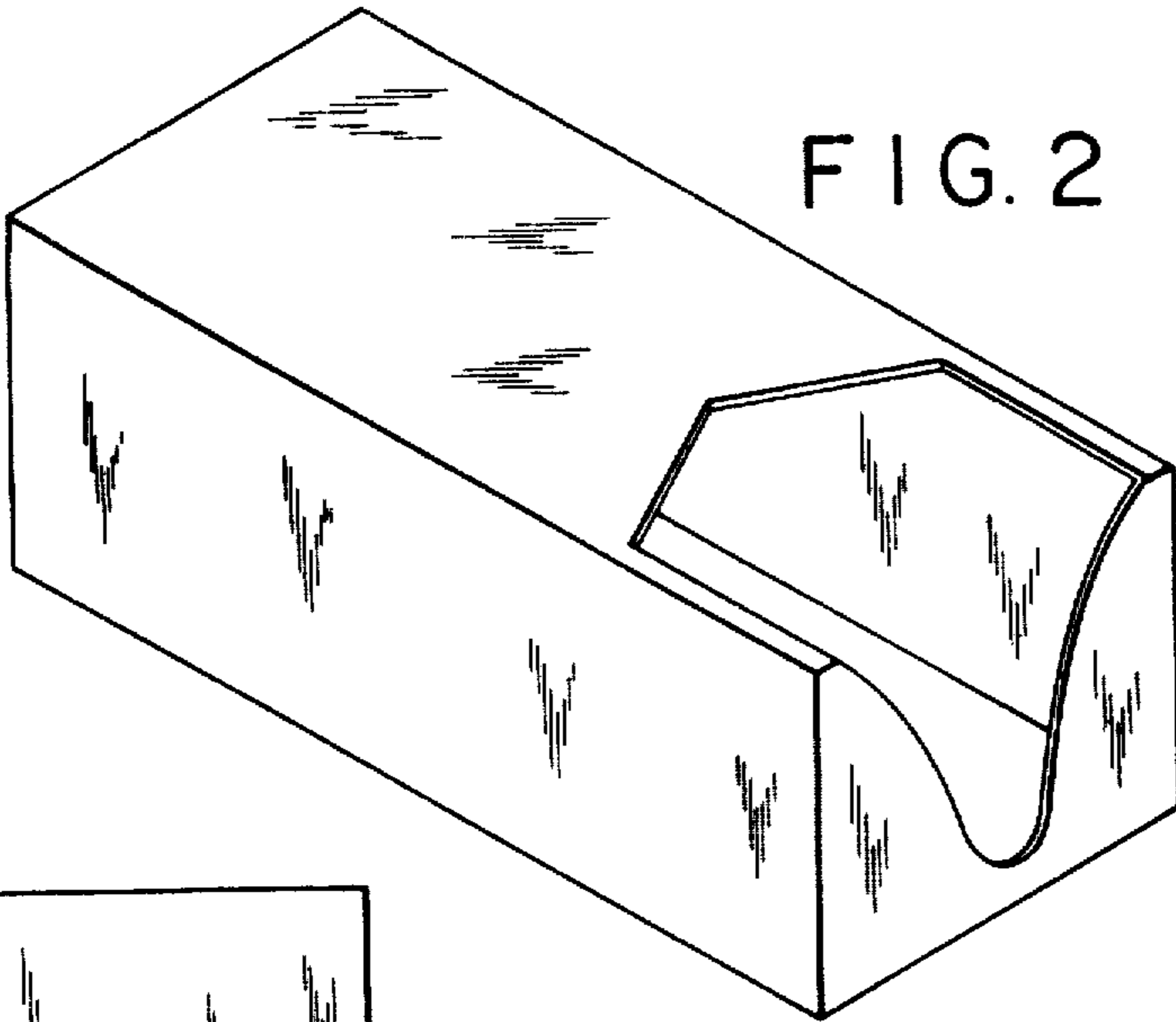


FIG. 2

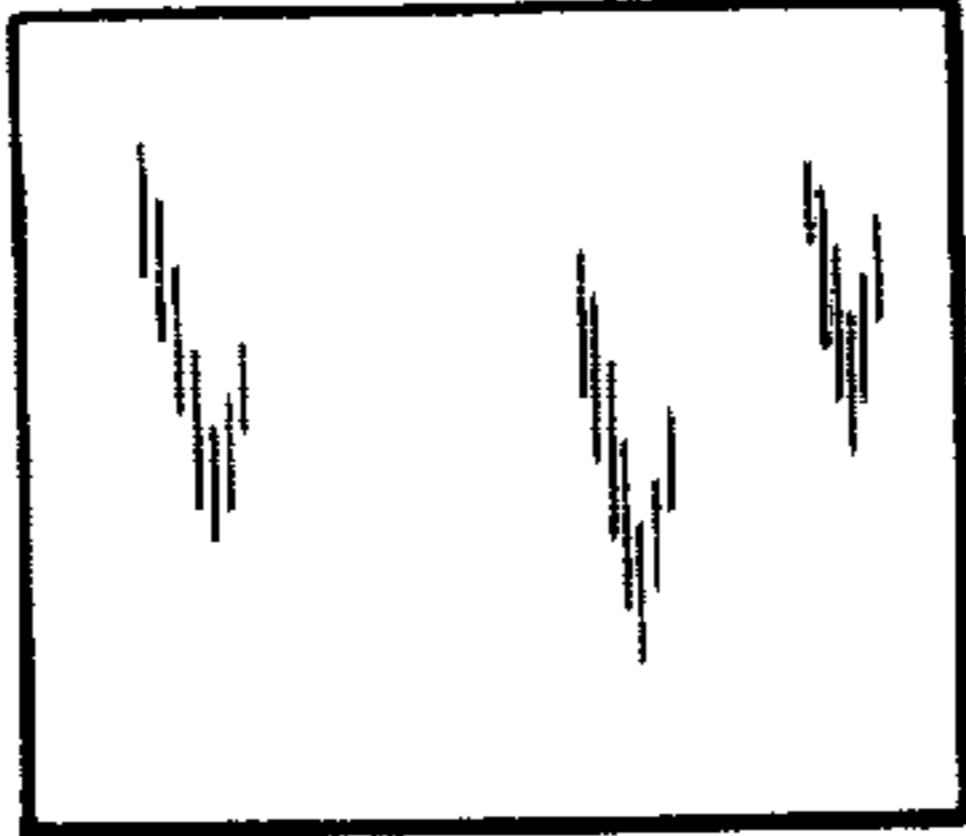


FIG. 4

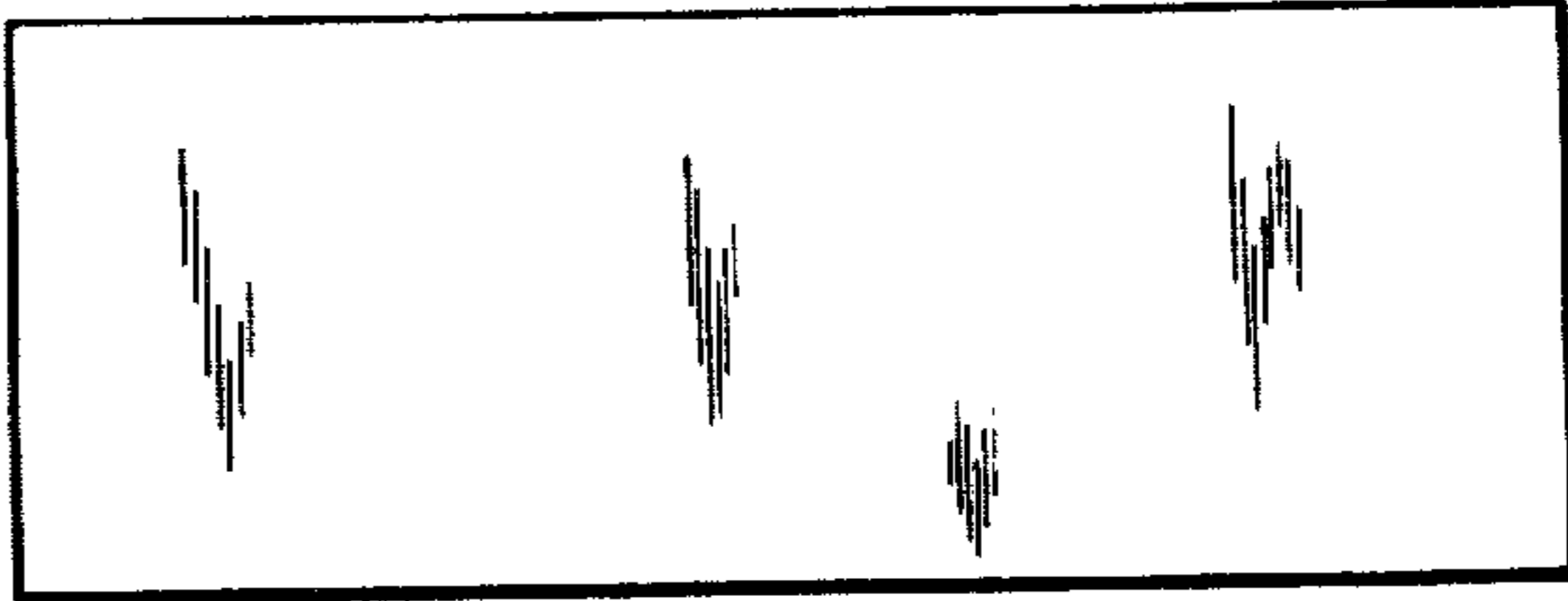


FIG. 3

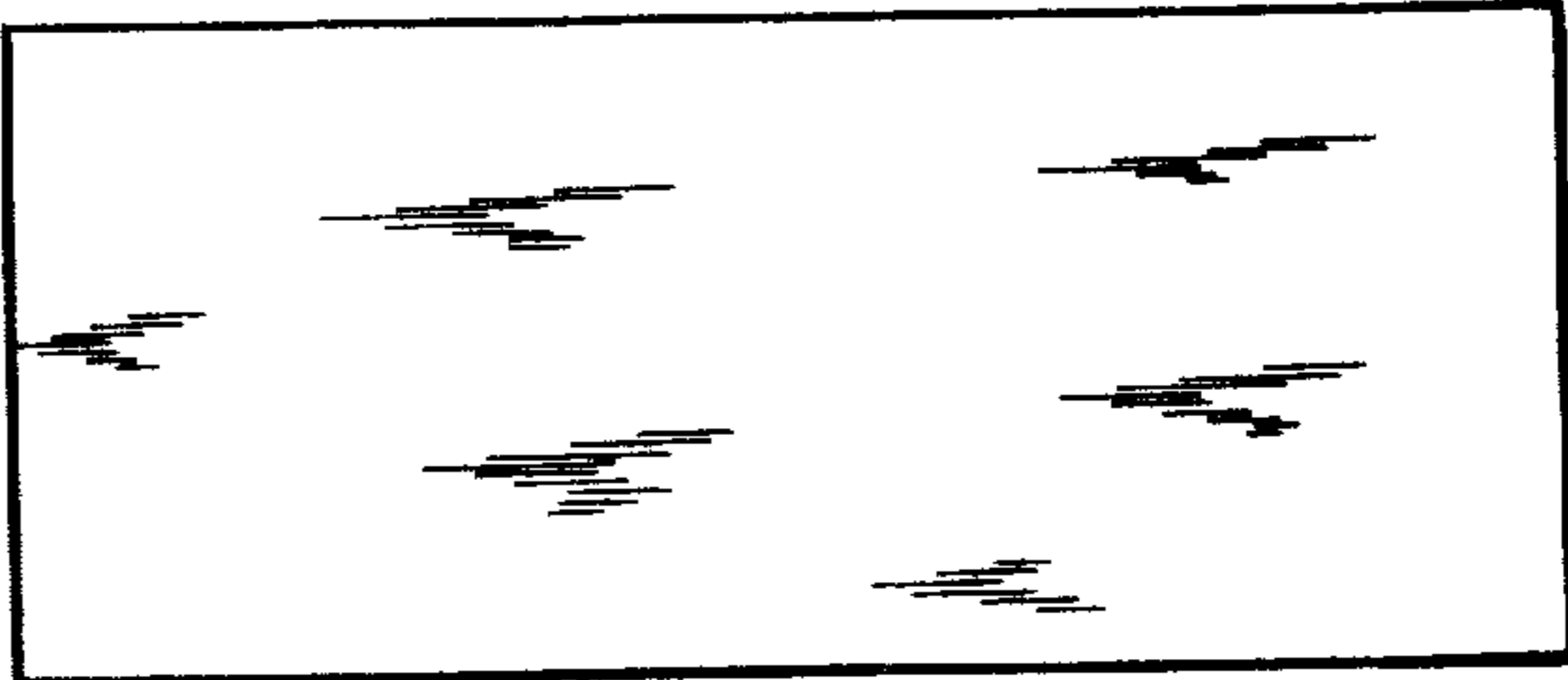


FIG. 5