

[54] CORD LOCK DEVICE

[76] Inventor: W. Colton Hough, Jr., 49 Harbor Hill Rd., St. James, N.Y. 11780

[**] Term: 14 Years

[21] Appl. No.: 218,165

[22] Filed: Dec. 19, 1980

[51] Int. Cl. D8-08

[52] U.S. Cl. D8/356

[58] Field of Search 339/75 P, 75 R, 82, 339/87, 100, 119; D13/24; D8/356, 394; 248/225.3 R, 225.3 A, 226.1, 229; 24/115 R

[56] References Cited

U.S. PATENT DOCUMENTS

- 3,383,639 5/1968 Anderson et al. 339/75 P
- 4,183,603 1/1980 Donarummo 339/75 P
- 4,221,449 9/1980 Shugart, Jr. 339/75 P

FOREIGN PATENT DOCUMENTS

- 818717 7/1969 Canada 339/75 P

Primary Examiner—A. Hugo Word

Attorney, Agent, or Firm—Nims, Howes, Collison & Isner

[57] CLAIM

The ornamental design for a cord lock device, substantially as shown and described.

DESCRIPTION

FIG. 1 is a perspective view of a cord lock device showing my new design;

FIG. 2 is a top plan view of the cord lock device shown in FIG. 1;

FIG. 3 is a left side elevational view of the cord lock device shown in FIG. 2;

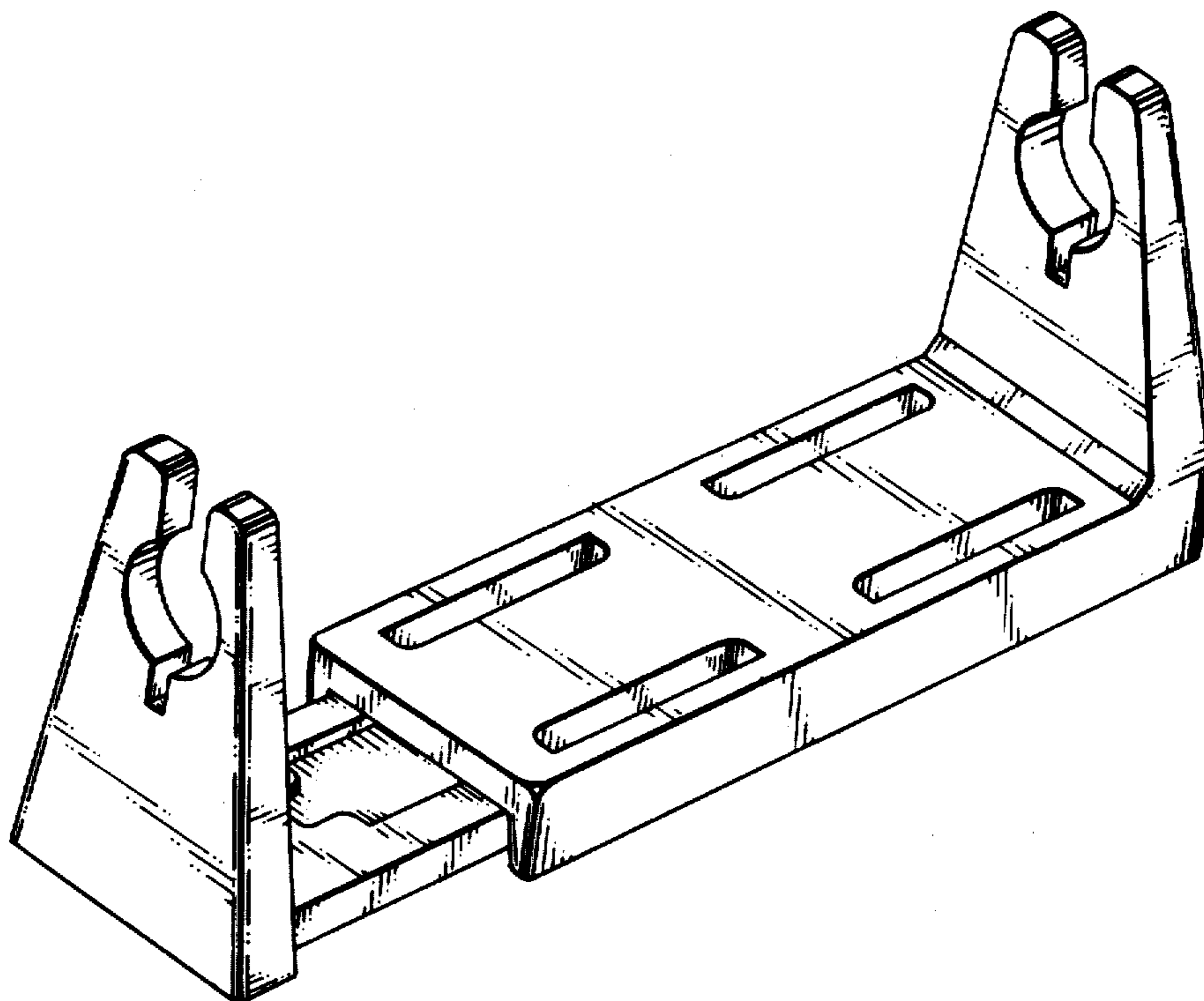
FIG. 4 is a front elevational view of the cord lock device shown in FIG. 2;

FIG. 5 is a right side elevational view of the cord lock device shown in FIG. 2;

FIG. 6 is a rear elevational view of the cord lock device shown in FIG. 2;

FIG. 7 is a bottom plan view of the cord lock device shown in FIG. 6;

FIG. 8 is a cross-sectional view along the section A—A in FIG. 7, showing the teeth-like structure of one of the elements shown in FIG. 7.



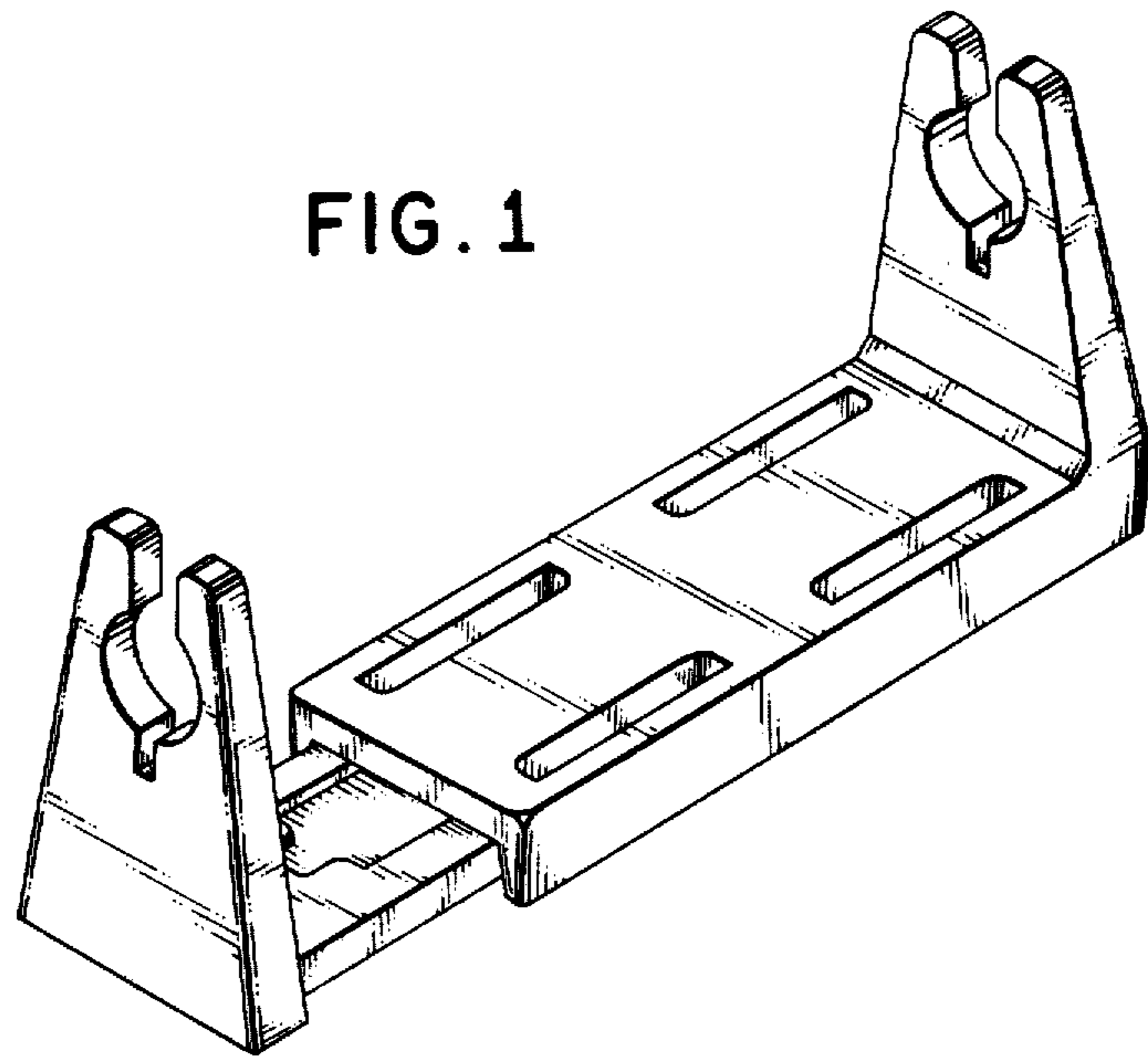


FIG. 2

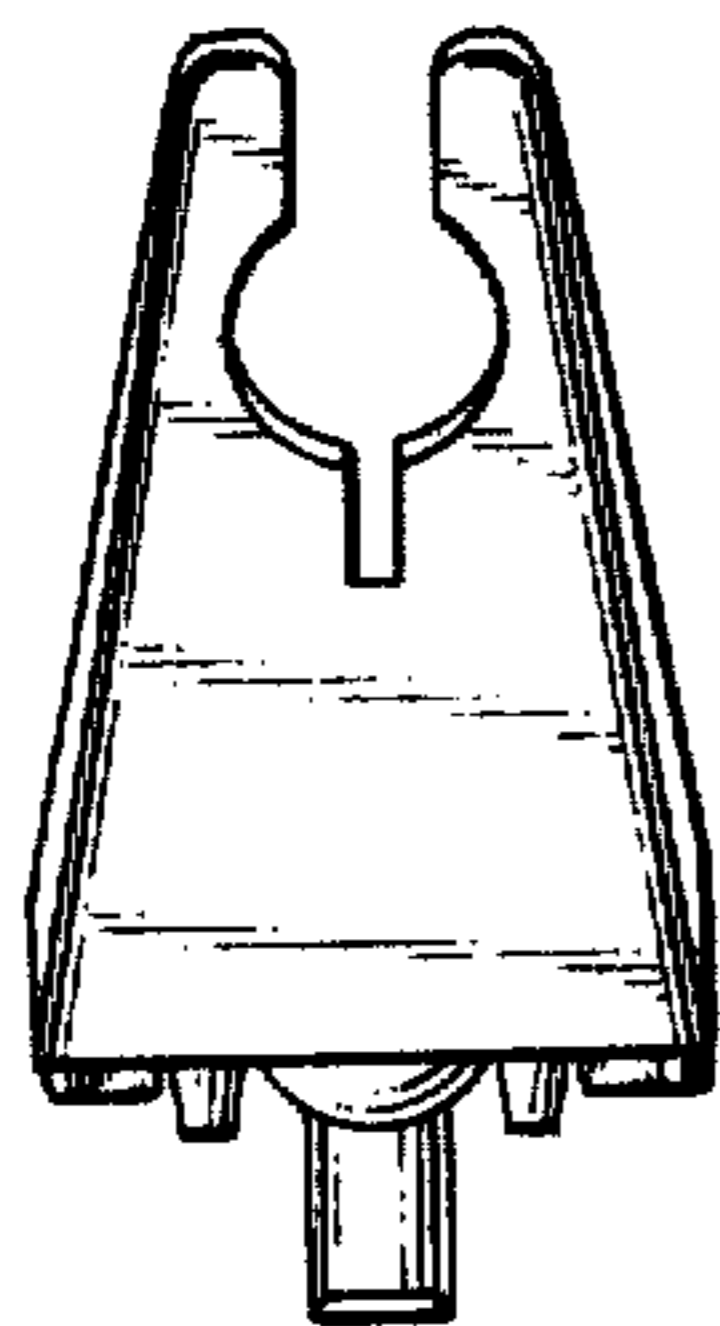
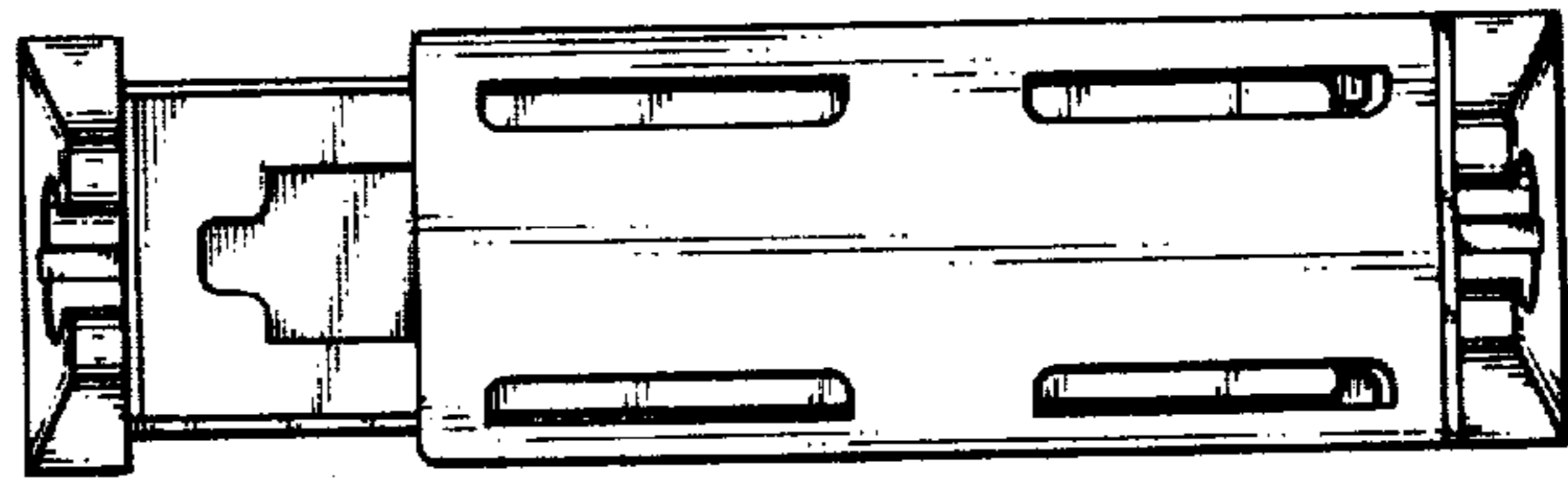


FIG. 3

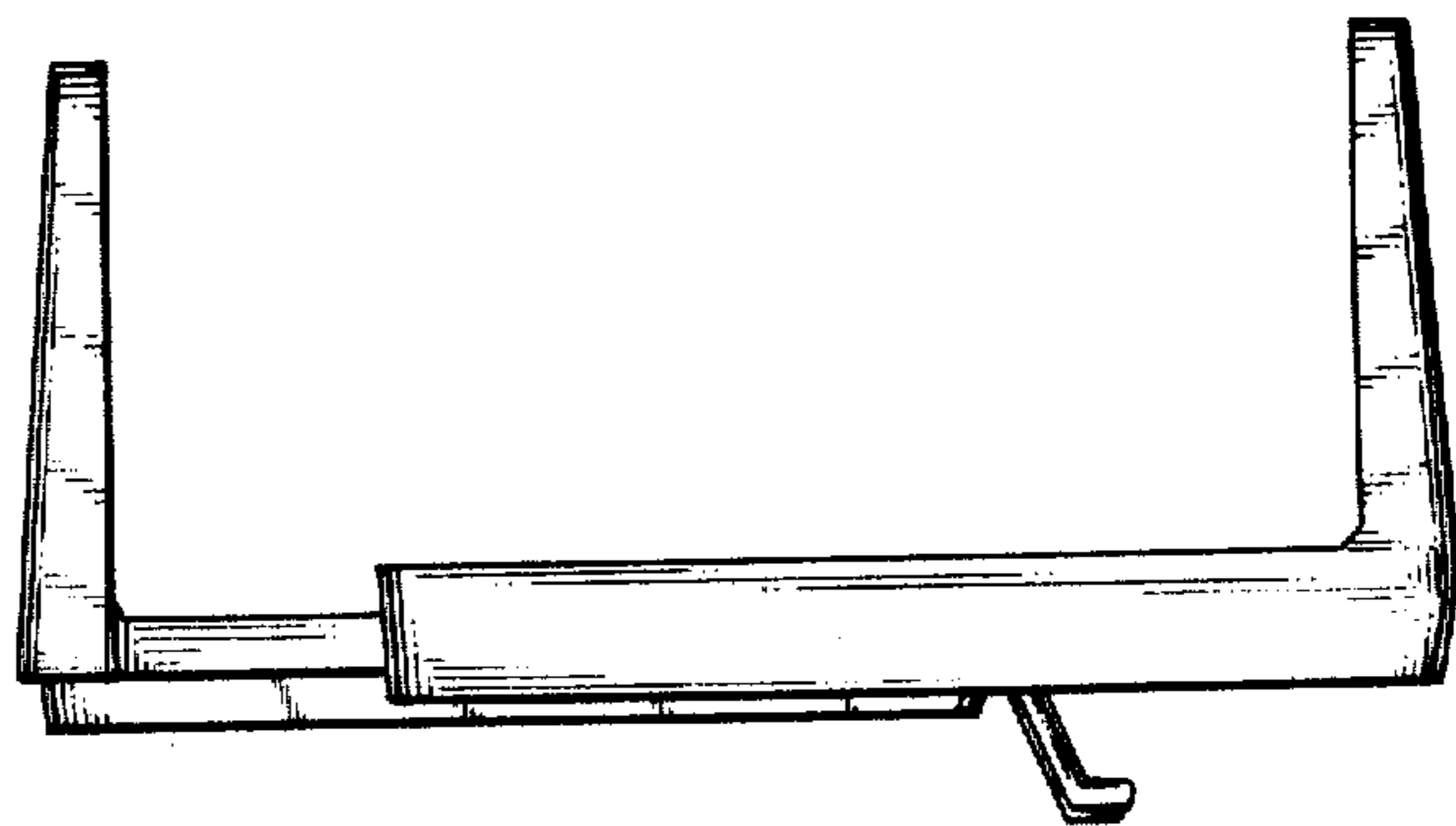


FIG. 4

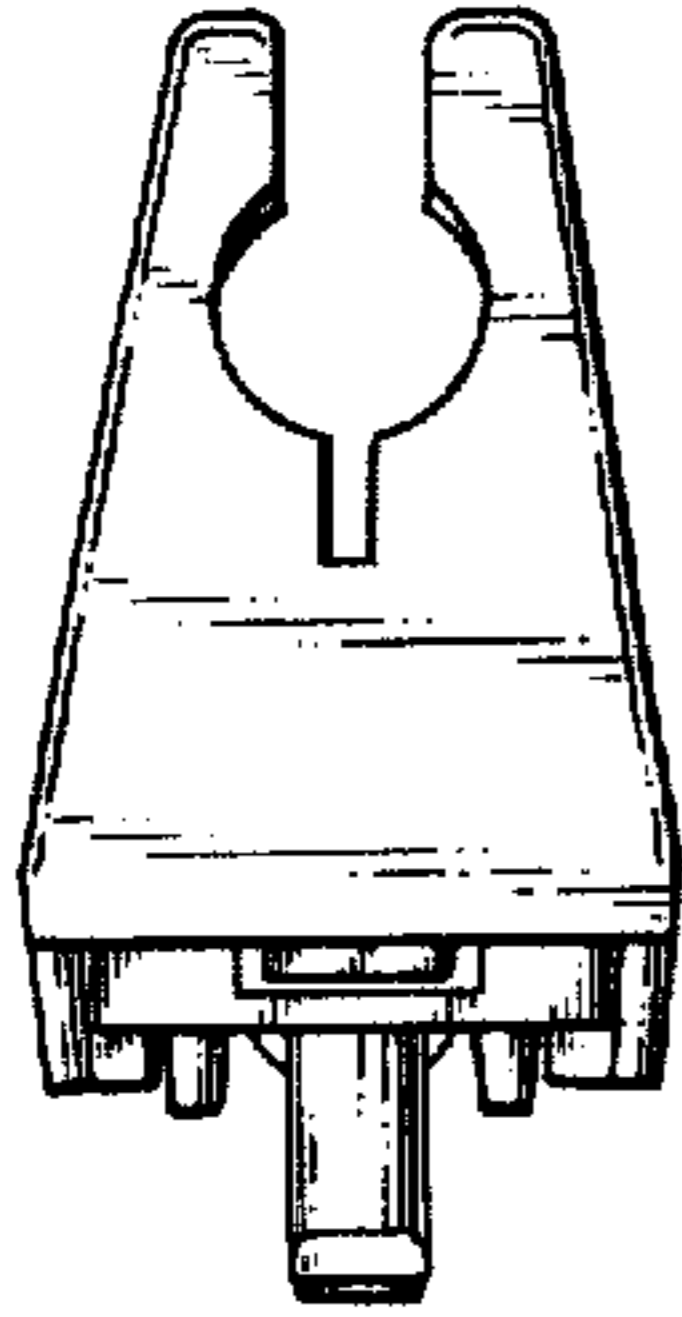


FIG. 5

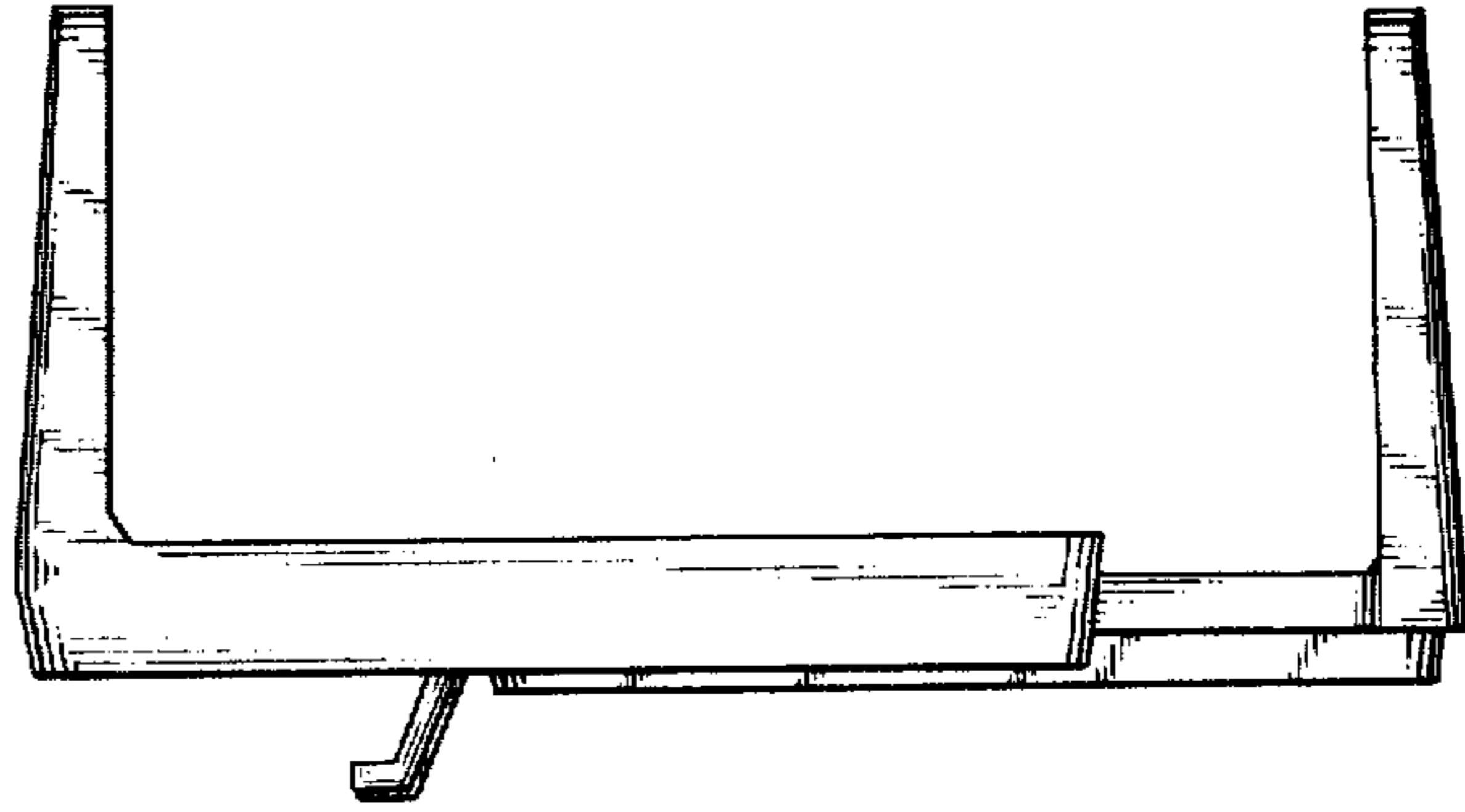


FIG. 6

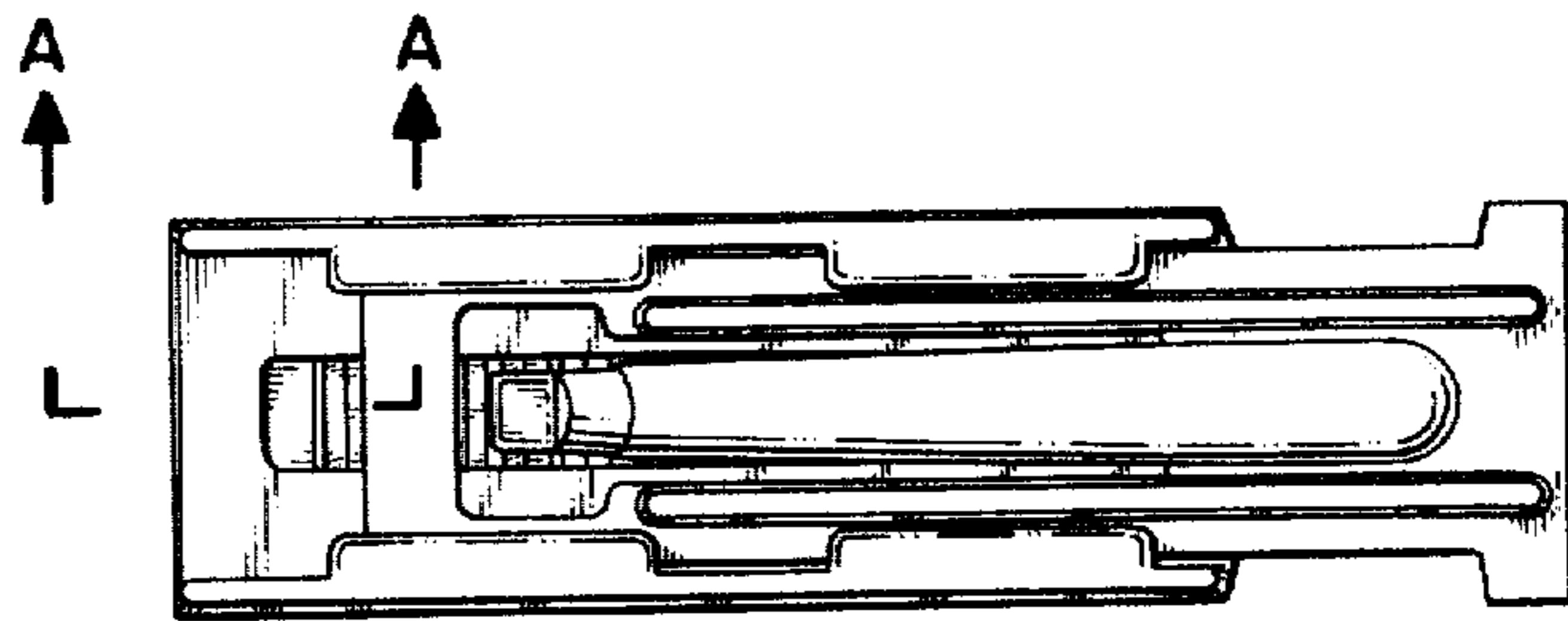


FIG. 7

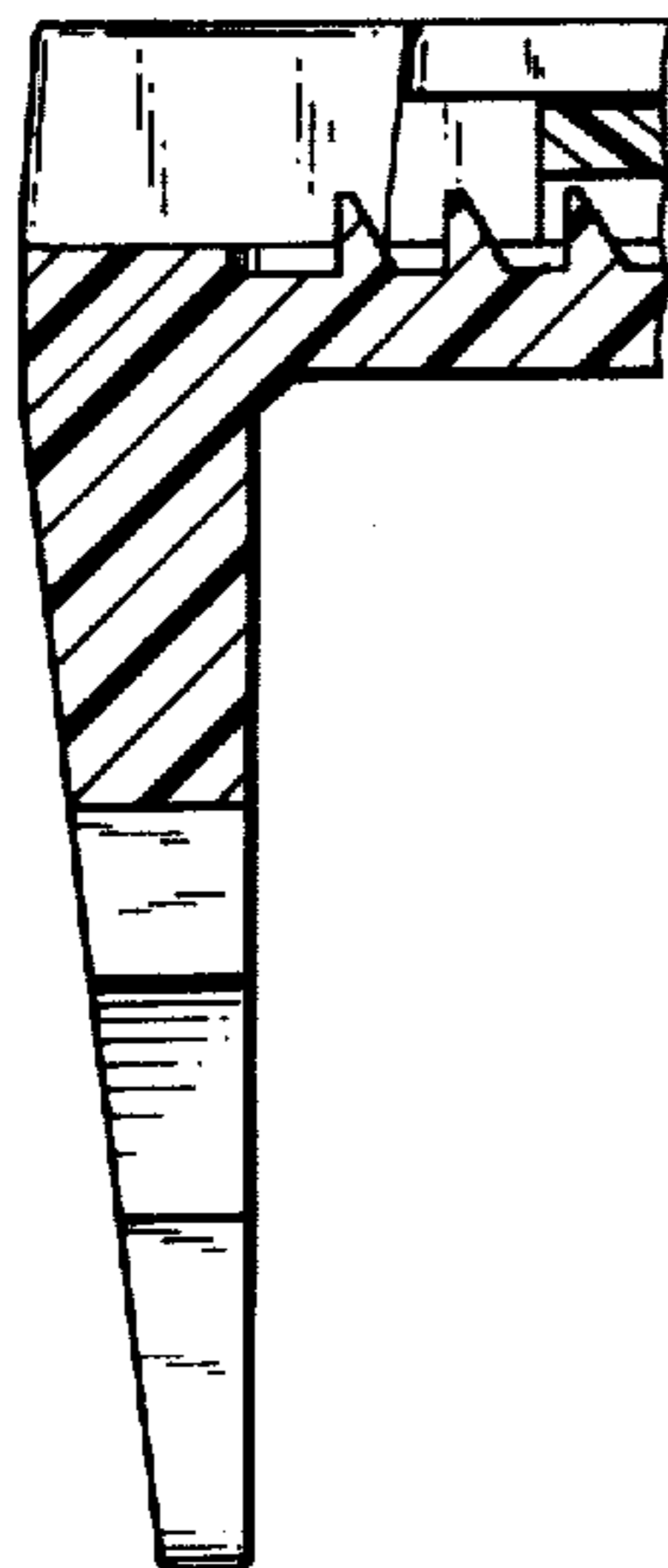


FIG. 8