

[54] COMBINED BRUSH AND SCRAPER TO BE USED IN CLEANING WINDSHIELDS

[75] Inventor: Harold F. Bauer, Newton, Kans.

[73] Assignee: S/V Tool Co. Inc., Newton, Kans.

[\*\*] Term: 14 Years

[21] Appl. No.: 135,856

[22] Filed: Mar. 31, 1980

[51] Int. Cl. .... D4—01; D7—05

[52] U.S. Cl. .... D4/06; D32/49

[58] Field of Search ..... D4/1, 3-6, D4/10-12; D7/181, 183, 184; 15/106, 111, 113, 114, 117, 159 R, 159 A, 160, 236 R; 30/169

[56] References Cited

U.S. PATENT DOCUMENTS

D. 258,779 4/1981 Hopkins et al. .... D7/184 X  
2,981,964 5/1961 Downing ..... 15/105

Primary Examiner—Catherine E. Kemper  
Attorney, Agent, or Firm—Schmidt, Johnson, Hovey & Williams

[57] CLAIM

The ornamental design for a combined brush and scraper to be used in cleaning windshields, as shown.

DESCRIPTION

FIG. 1 is a side elevational view of a combined brush and scraper to be used in cleaning windshields, showing my new design;

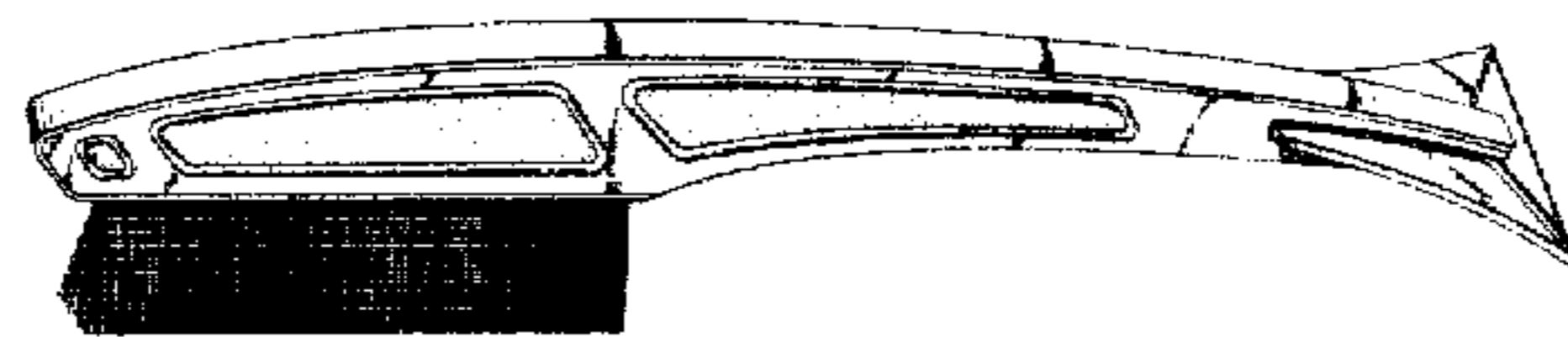
FIG. 2 is a top plan view thereof;

FIG. 3 is a bottom plan view thereof;

FIG. 4 is a perspective view of the side opposite that shown in FIG. 1;

FIG. 5 is a view showing one end thereof; and

FIG. 6 is a view showing the opposite end thereof.



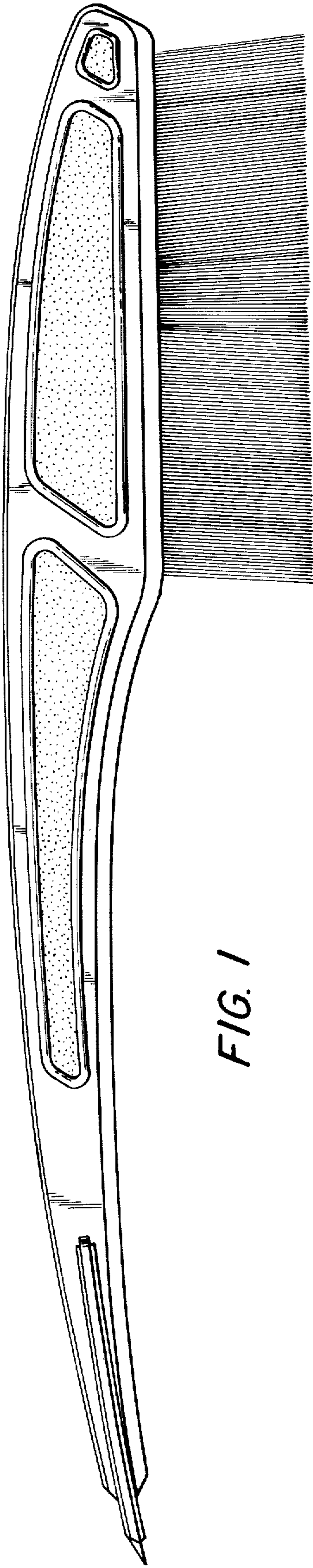


FIG. 1

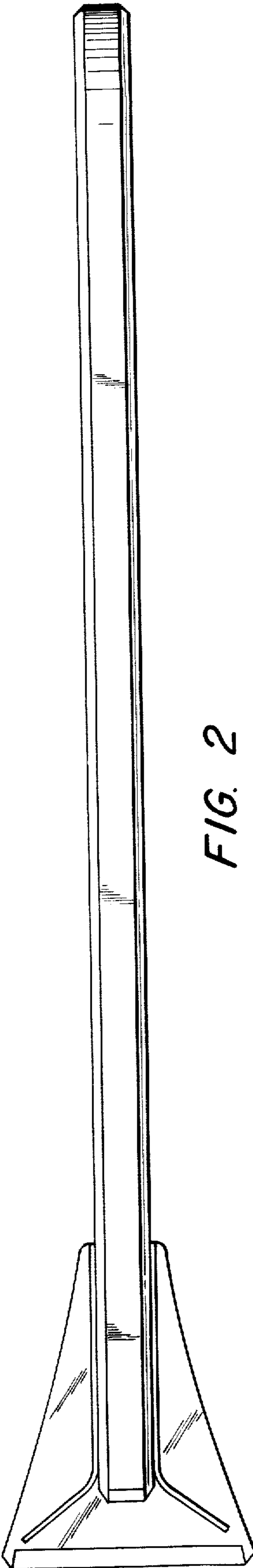


FIG. 2

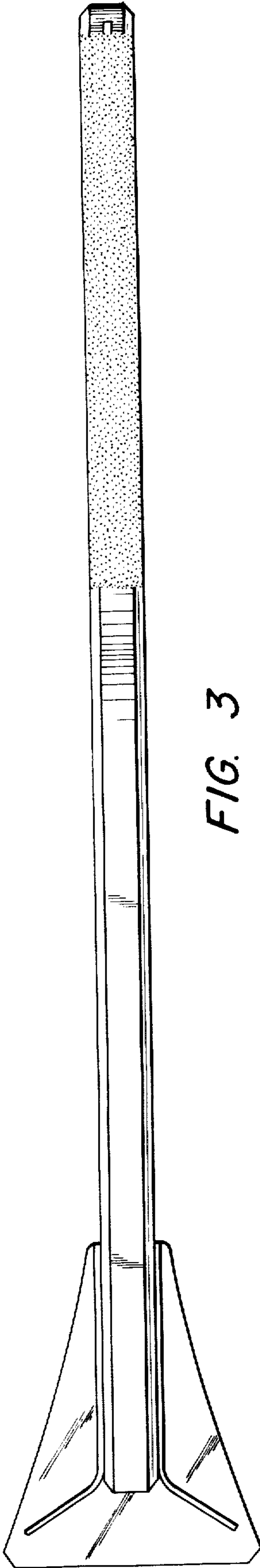


FIG. 3

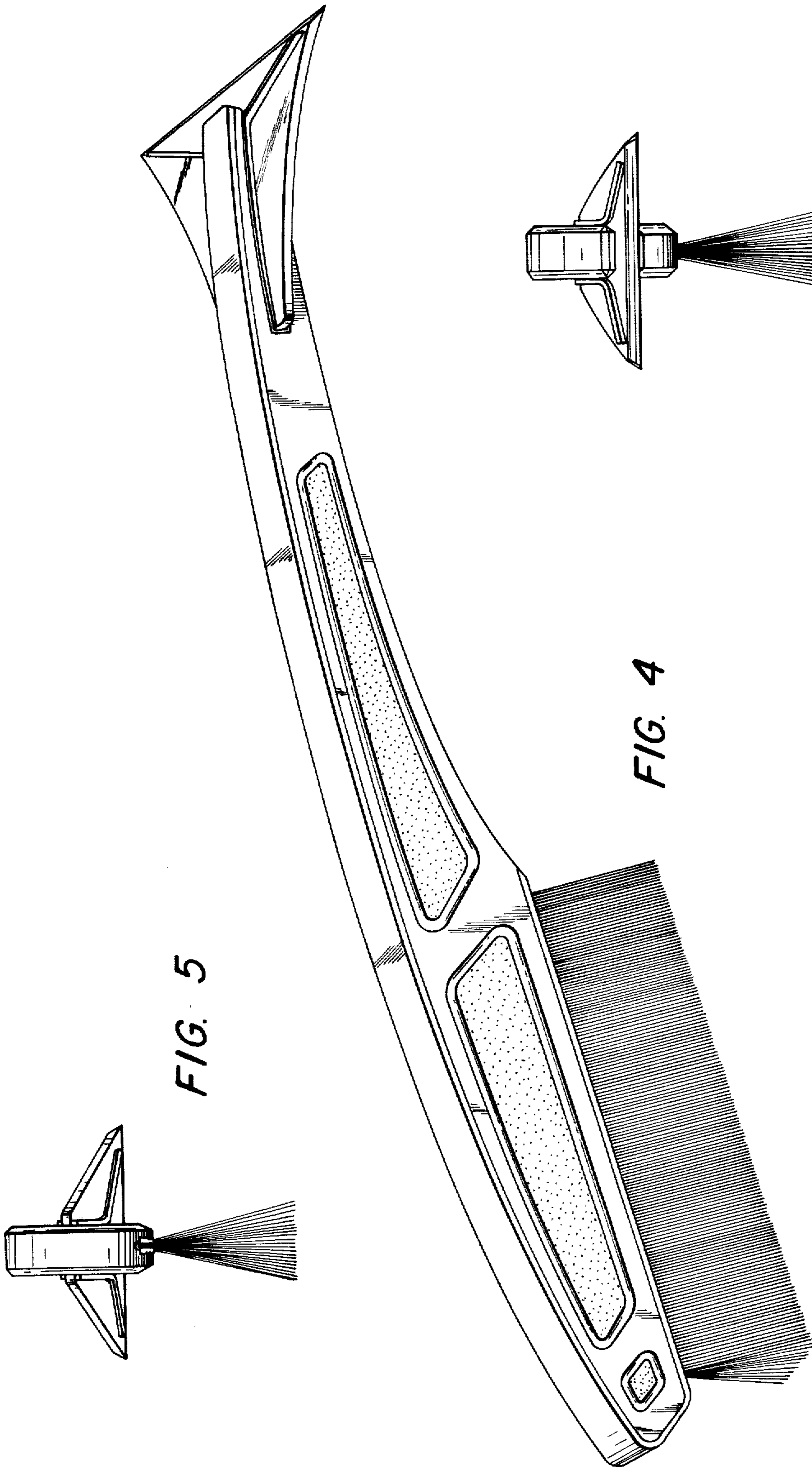


FIG. 5

FIG. 4

FIG. 6