

[54] SMALL OBJECTS ORGANIZER FOR AN ATTACHE CASE OR THE LIKE

[75] Inventor: Renato Castelli, Ghent, Belgium

[73] Assignee: Samsonite Corporation, Denver, Colo.

[**] Term: 14 Years

[21] Appl. No.: 157,429

[22] Filed: Jun. 9, 1980

[30] Foreign Application Priority Data

Dec. 18, 1979 [XB] Benelux 06290-00

[51] Int. Cl. D3-02

[52] U.S. Cl. D3/39; D3/30.1; D3/74; D3/75; D3/78

[58] Field of Search D3/30.1, 34, 39.74, D3/76, 78; 190/35; D20/61, 83; D27/37, 43, 44; D19/75

[56]

References Cited

U.S. PATENT DOCUMENTS

D. 98,002	12/1935	Horsley	D27/43
D. 234,507	3/1975	Mori	D19/75
D. 257,411	10/1980	Castelli	D3/39
1,760,098	5/1930	Wilt	190/35

Primary Examiner—George P. Word
Attorney, Agent, or Firm—George J. Netter

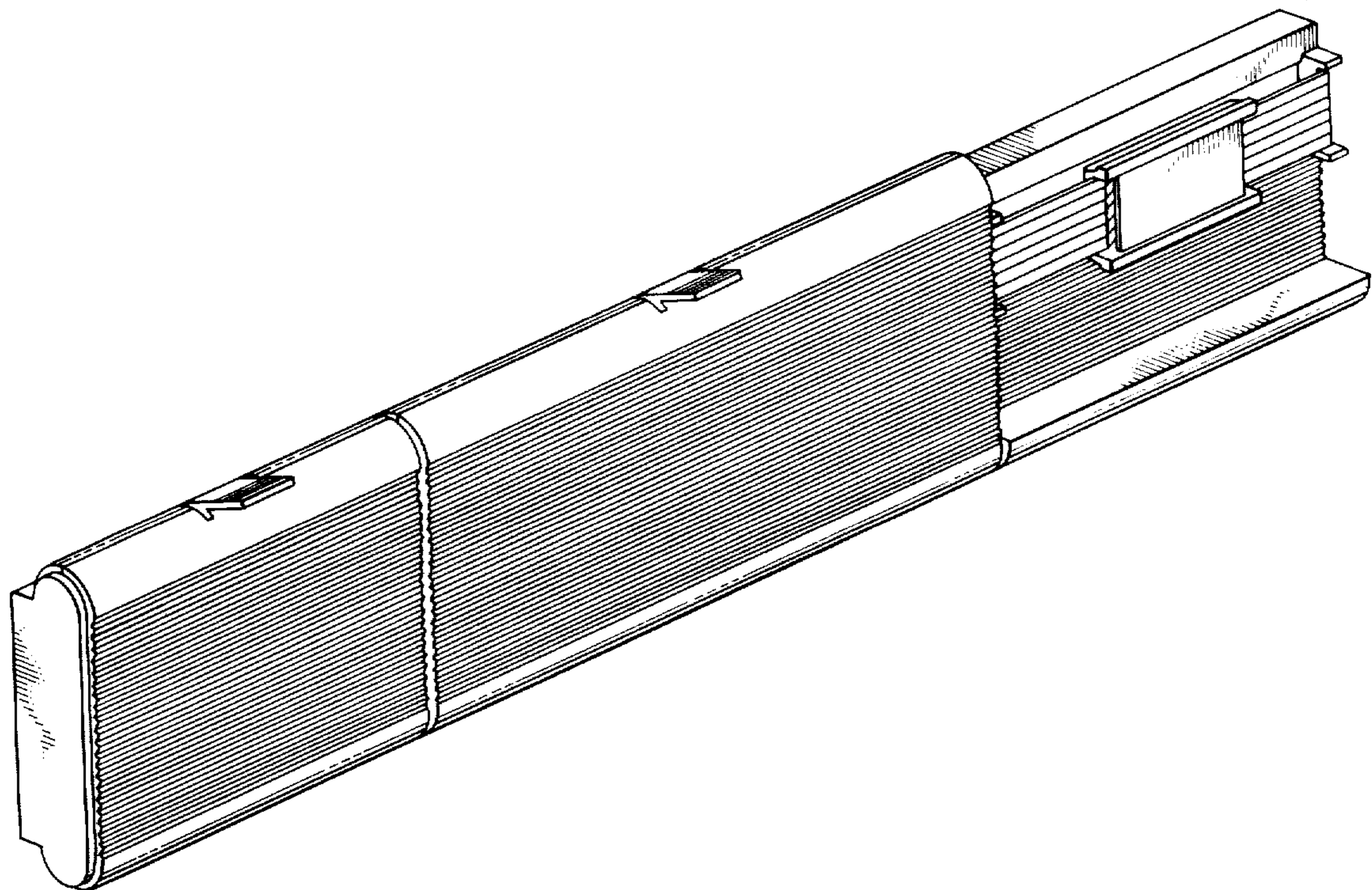
[57]

CLAIM

The ornamental design for a small objects organizer for an attache case or the like, as shown and described.

DESCRIPTION

FIG. 1 is a perspective view of a small objects organizer for an attache case or the like showing my new design. FIG. 2 is a left end elevational view. FIG. 3 is a right end elevational view. FIG. 4 is a top plan view. FIG. 5 is a rear elevational view. FIG. 6 is a bottom plan view. FIG. 7 is a perspective view similar to FIG. 1 with the compartments open.



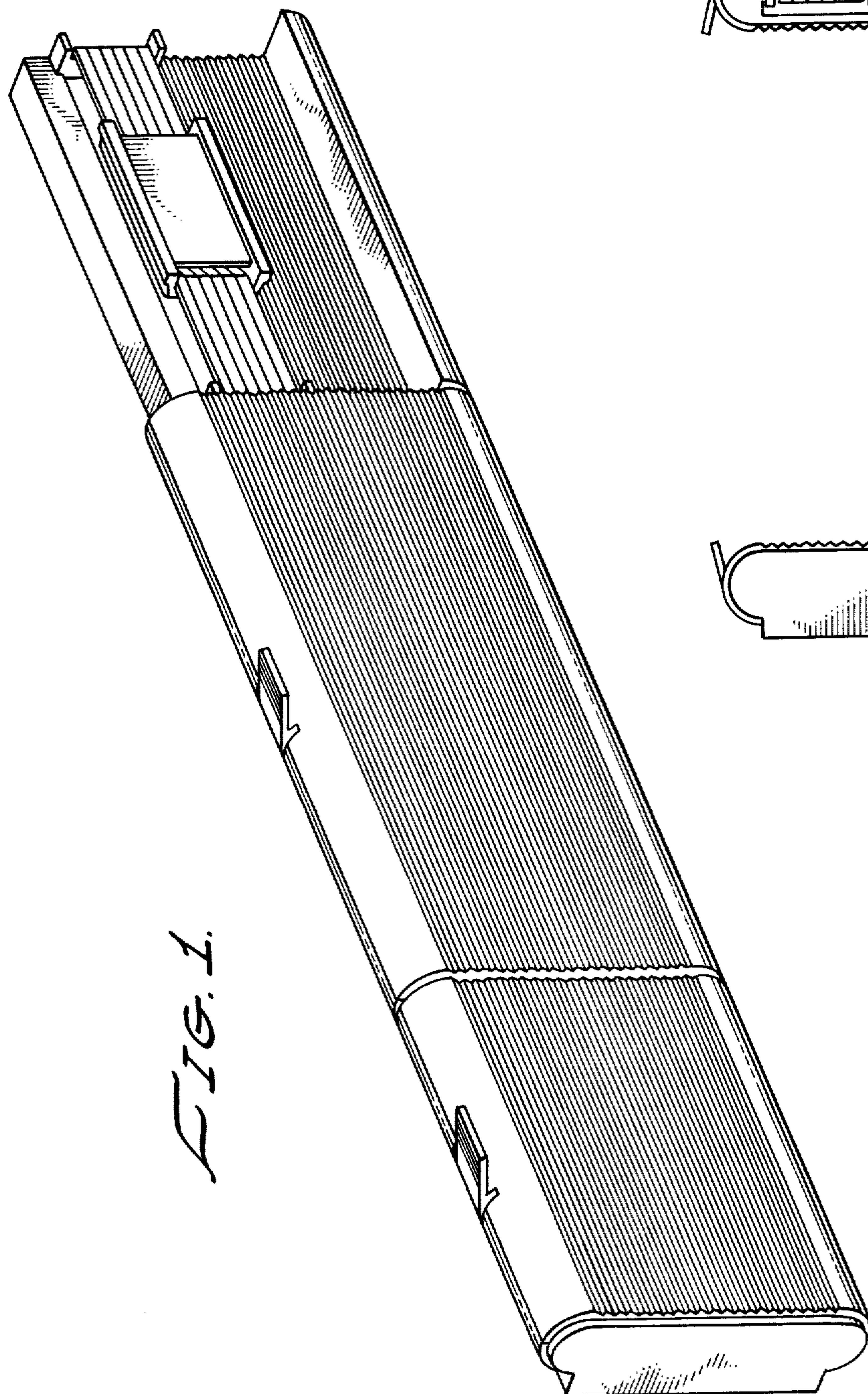


FIG. 1.

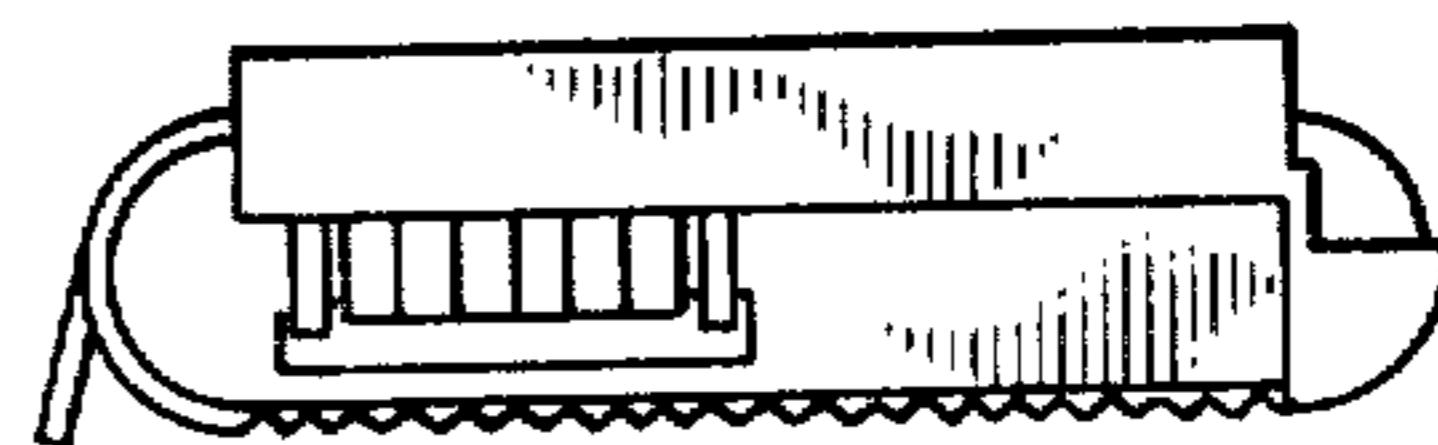


FIG. 3.

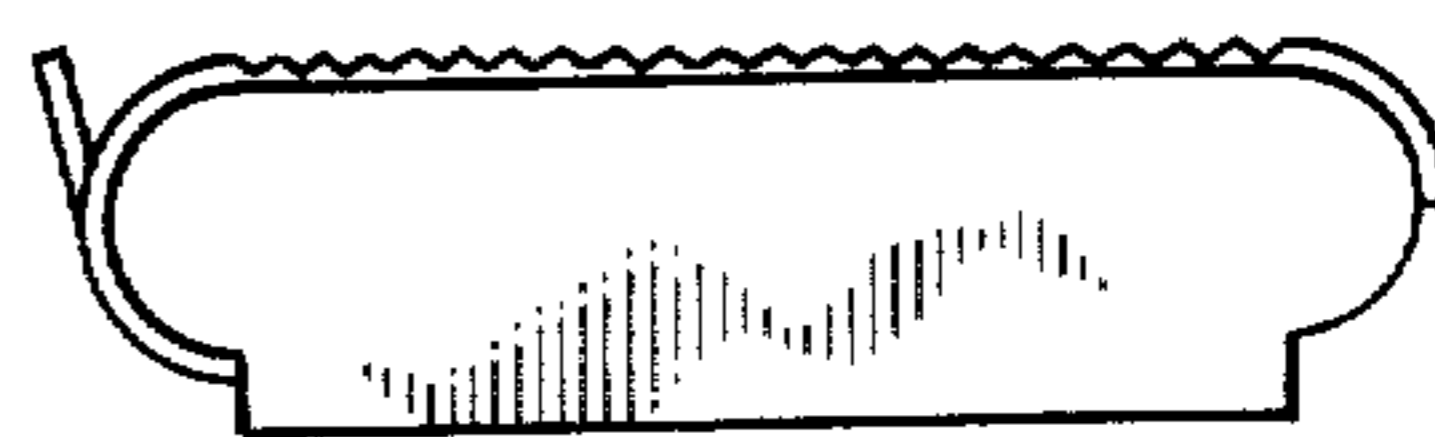


FIG. 2.

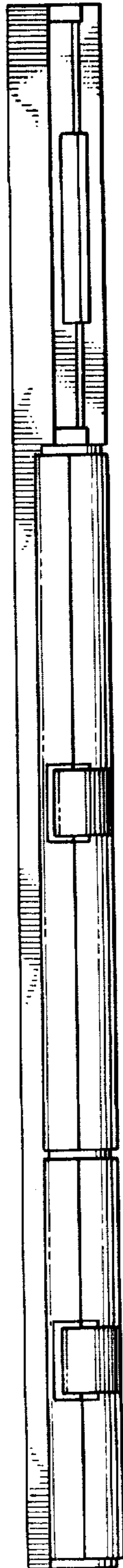


FIG. 4.

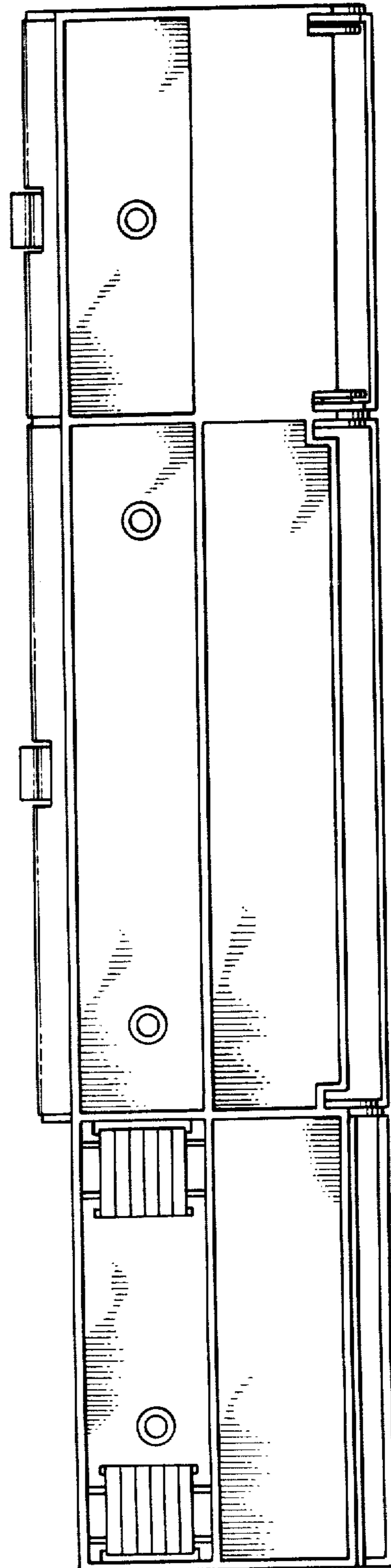


FIG. 5.

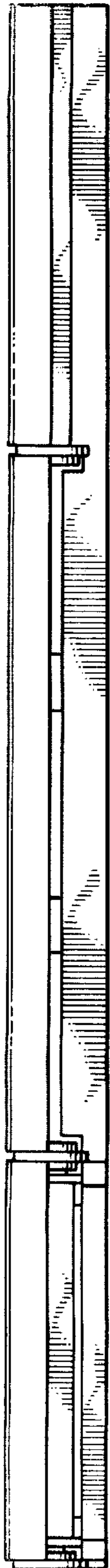


FIG. 6.

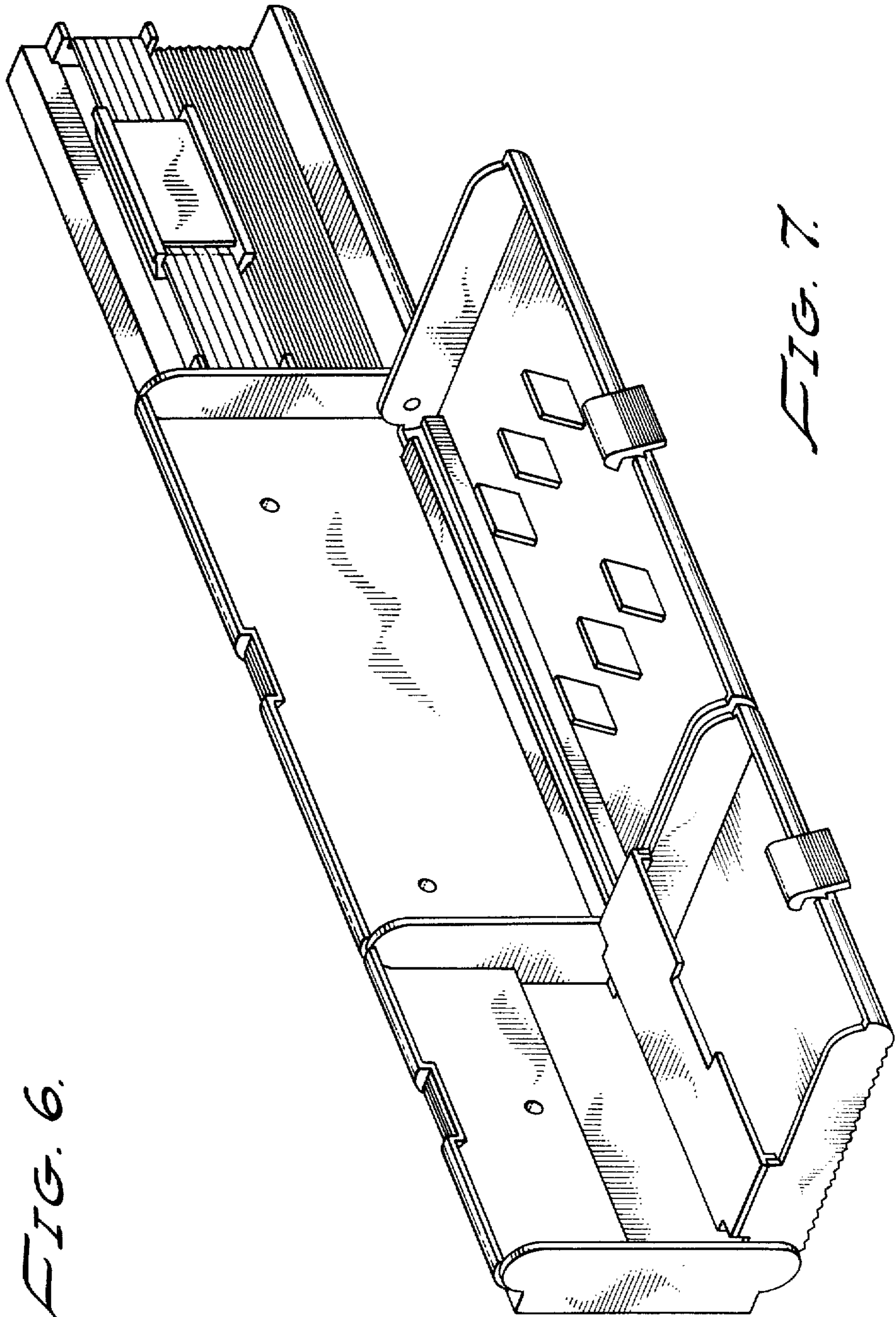


FIG. 7.