

[54] FEED PAN

[76] Inventor: Harlan J. Easton, R.R. 3, Blooming Prairie, Minn. 55917

[\*\*] Term: 14 Years

[21] Appl. No.: 255,052

[22] Filed: Apr. 17, 1981

[51] Int. Cl. .... D30-03

[52] U.S. Cl. .... D30/16

[58] Field of Search ..... D30/13-17; 119/51.58, 61

[56] References Cited

U.S. PATENT DOCUMENTS

D. 229,073	11/1973	Brickel	.....	D30/16
D. 230,033	1/1974	Goldman et al.	.....	D30/16
D. 232,564	8/1974	Kissin	.....	D30/16
D. 244,947	7/1977	Gerber	.....	D30/16
D. 259,669	6/1981	Peterson	.....	D30/16
2,554,086	5/1951	Block	.....	119/51.5
2,677,350	5/1954	Prestidgo et al.	.....	119/61
4,128,080	12/1978	Haney	.....	119/61 X

Primary Examiner—James R. Largen

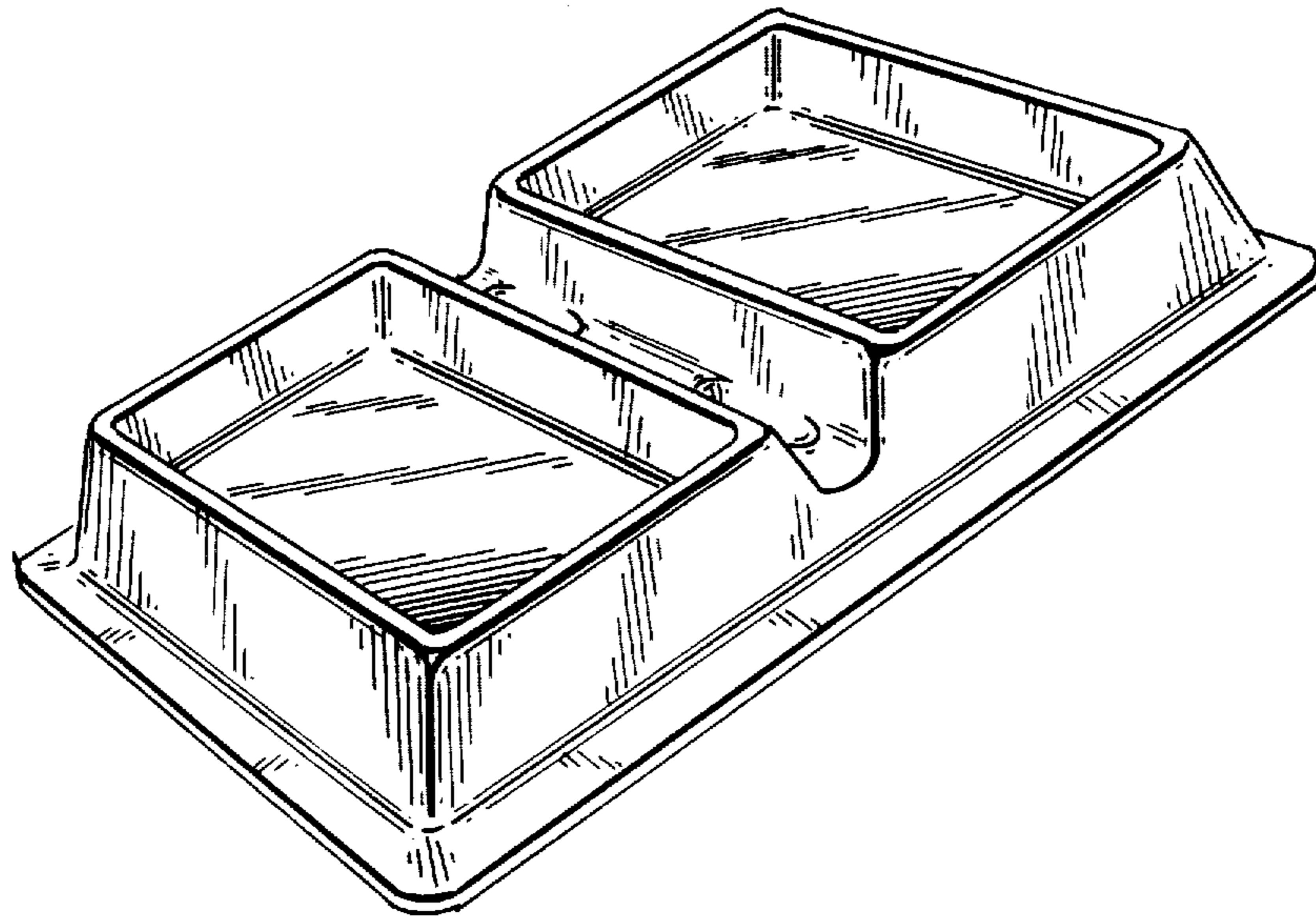
Attorney, Agent, or Firm—Kinney, Lange, Braddock, Westman and Fairbairn

[57] CLAIM

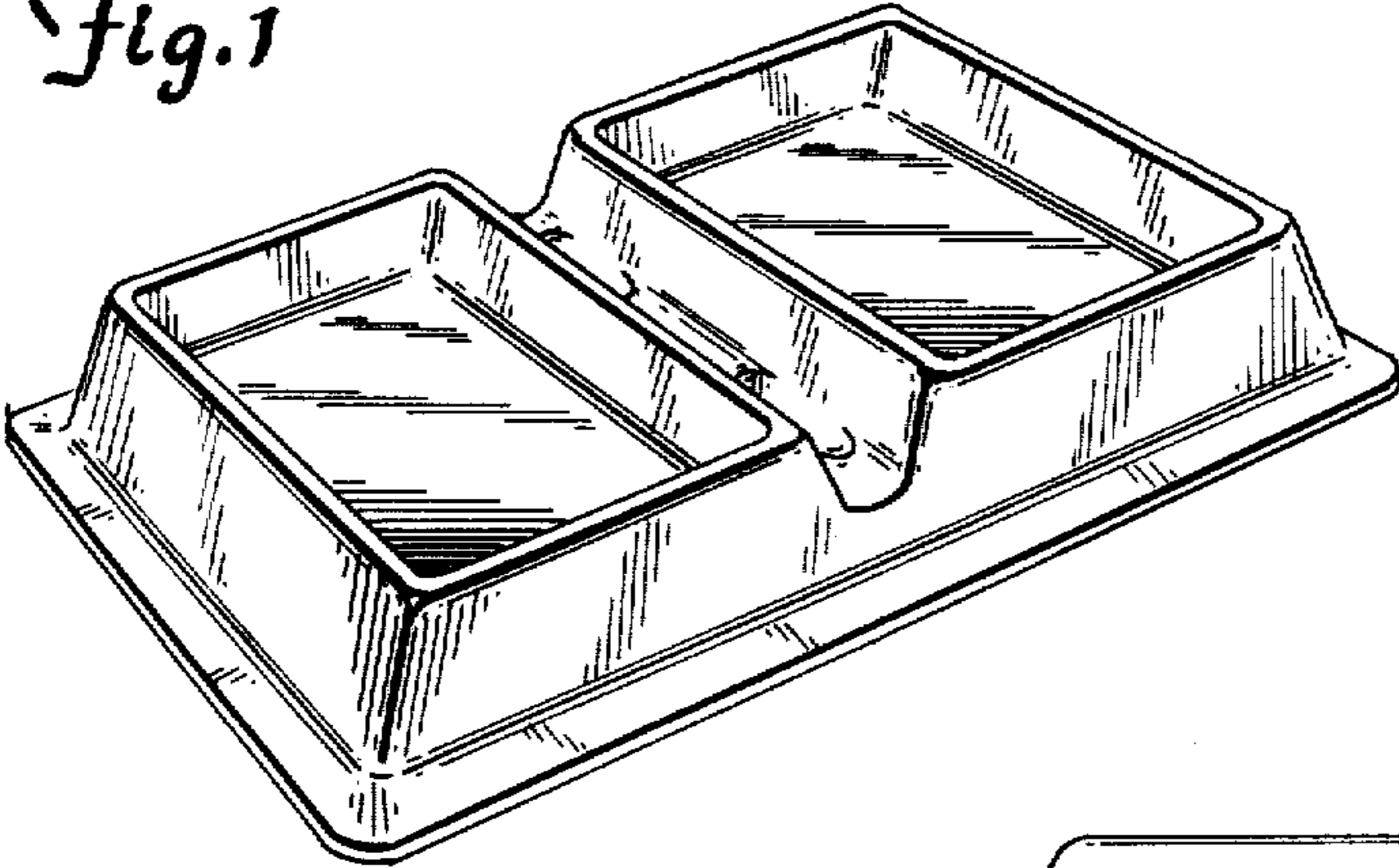
The ornamental design for a feed pan, substantially as shown and described.

DESCRIPTION

FIG. 1 is a perspective view of a feed pan embodying my new design;  
 FIG. 2 is a side elevational view thereof, the opposite side being the same as the side shown;  
 FIG. 3 is an end elevational view thereof, the opposite end being the same as the end shown;  
 FIG. 4 is a top plan view thereof;  
 FIG. 5 is a bottom plan view thereof;  
 FIG. 6 is a perspective view of a modified form of the feed pan shown in FIG. 1;  
 FIG. 7 is a side elevational view of FIG. 6, the opposite side being the same as the side shown;  
 FIG. 8 is an end elevational view of FIG. 6, the opposite end being the same as the end shown;  
 FIG. 9 is a cross sectional view taken on line 9—9 of FIG. 6; and  
 FIG. 10 is a top plan view of FIG. 6.



*Fig. 1*



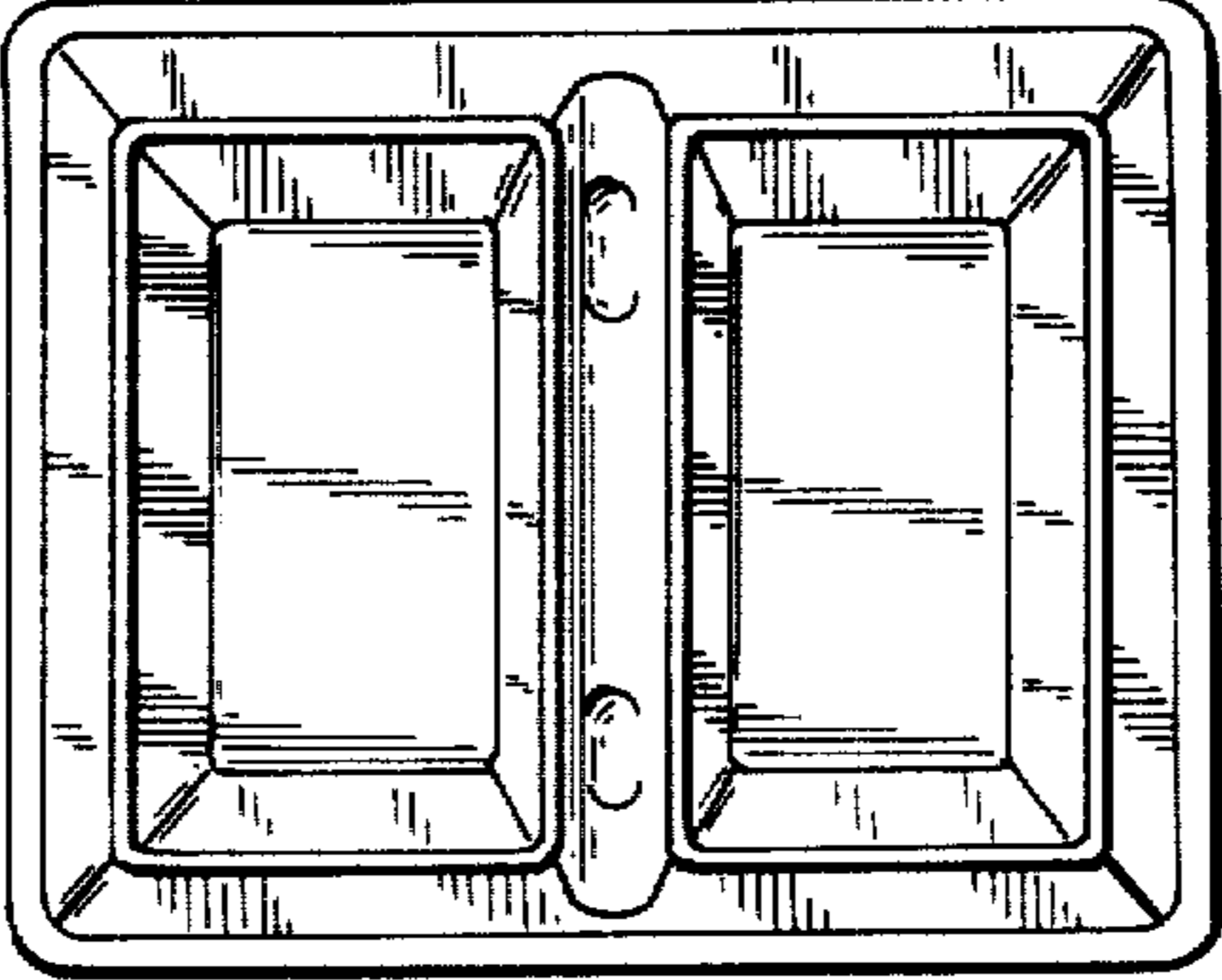
*Fig. 2*



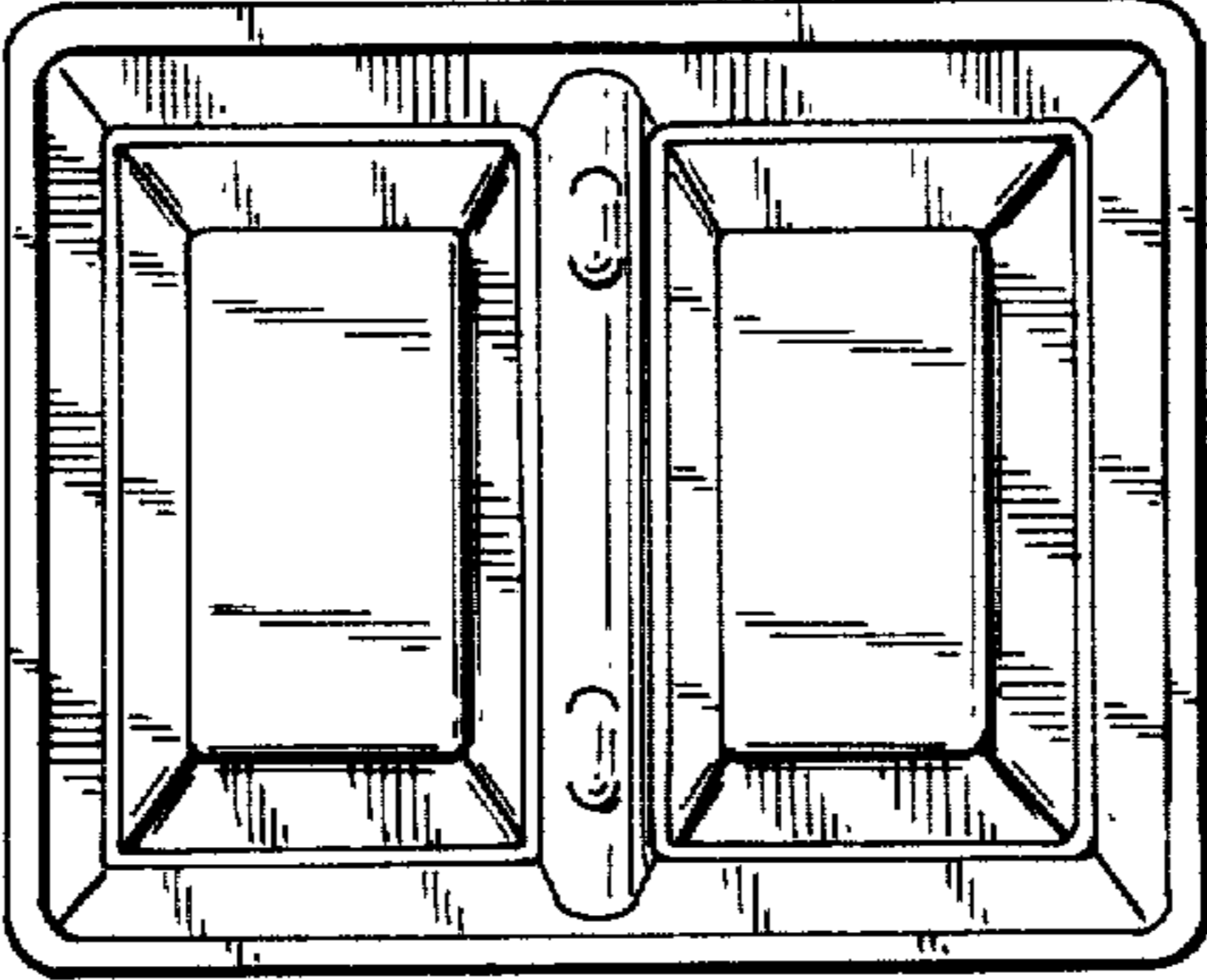
*Fig. 3*



*Fig. 4*



*Fig. 5*



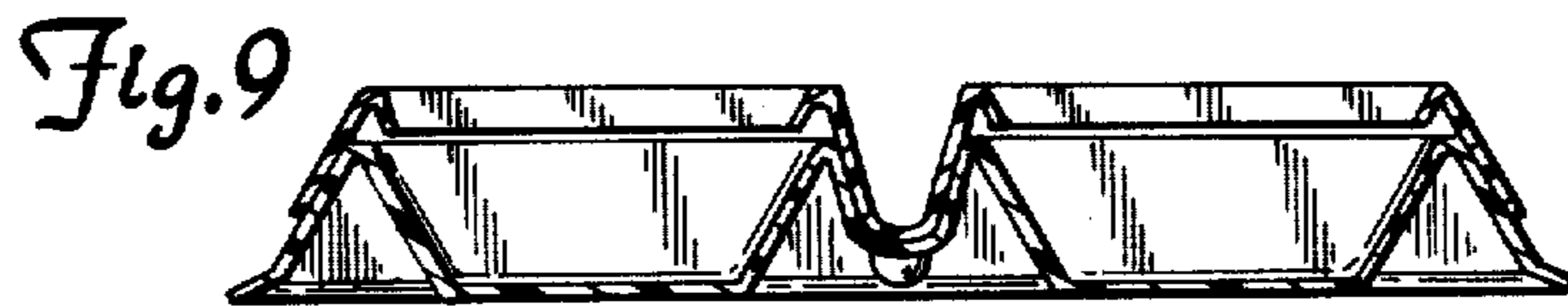
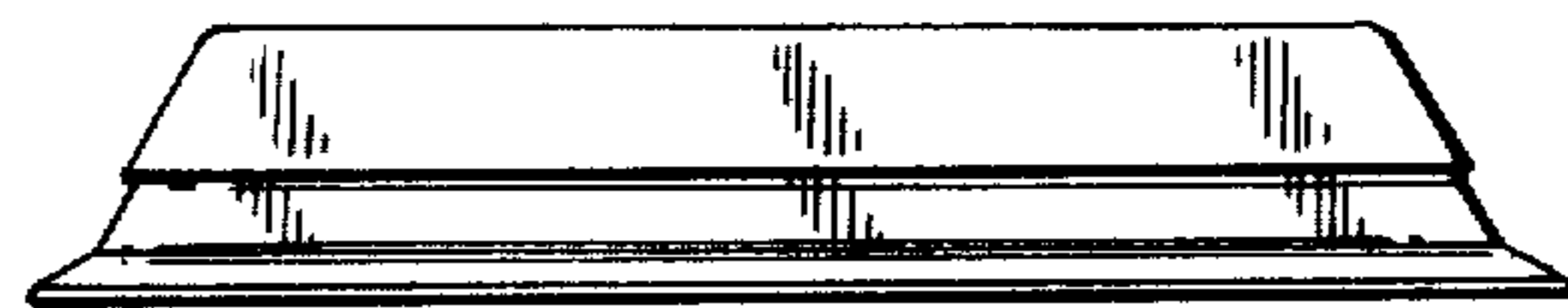
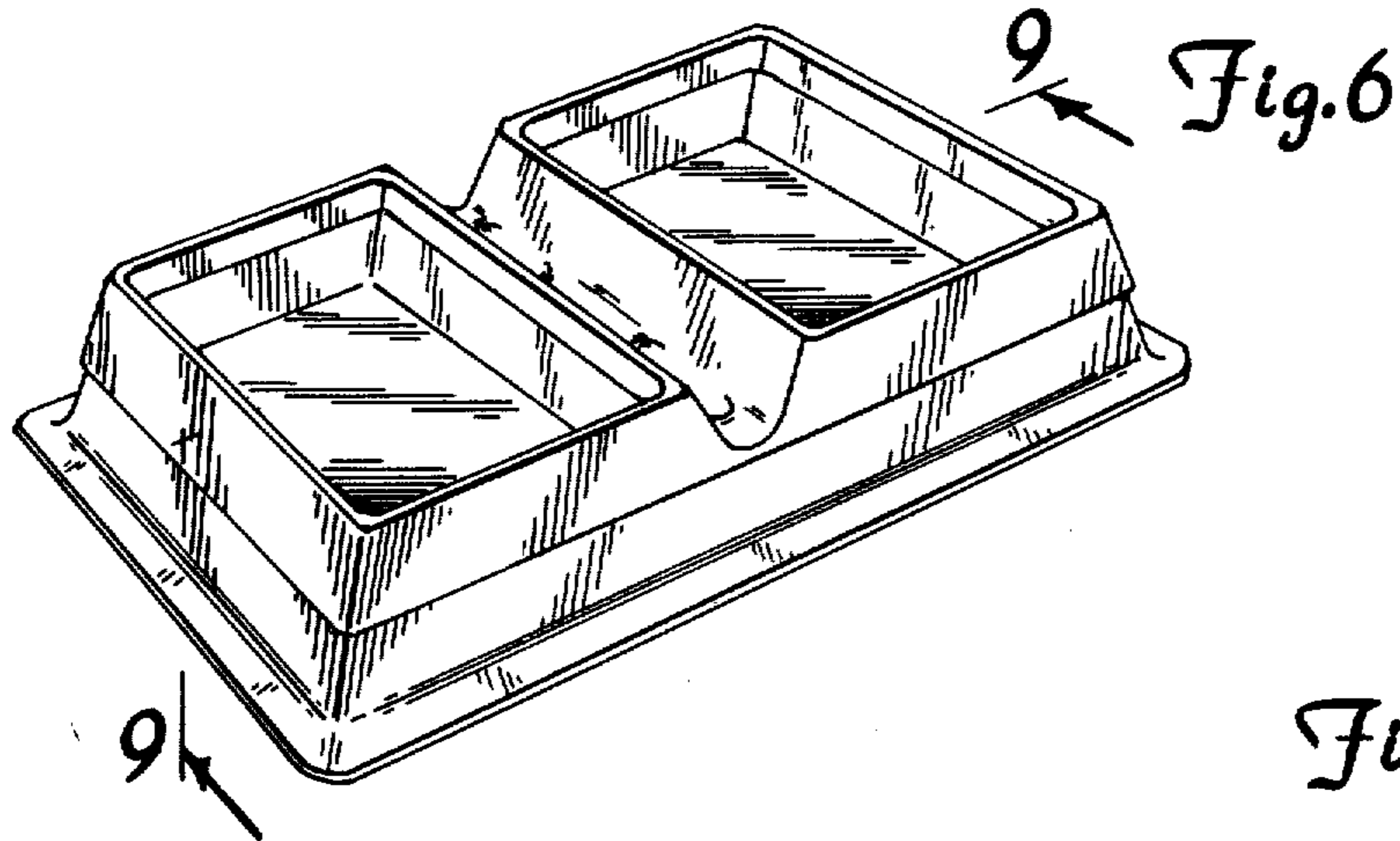


Fig. 10

