

[54] **CAST STOVE BODY**

[76] Inventors: **Frank Hall**, 640 NW. 231st St., Hillsboro, Oreg. 97123; **Michael D. Chase**, 6145 SW. 68th Ct., Portland, Oreg. 97223

[\*\*] Term: **14 Years**

[21] Appl. No.: **210,399**

[22] Filed: **Nov. 25, 1980**

[51] Int. Cl. .... **D23—03**

[52] U.S. Cl. .... **D23/93**

[58] Field of Search ..... **D23/92-97;**  
**126/120, 121, 123, 126**

[56] **References Cited**

**U.S. PATENT DOCUMENTS**

4,309,979 1/1982 Burch ..... 126/120 X

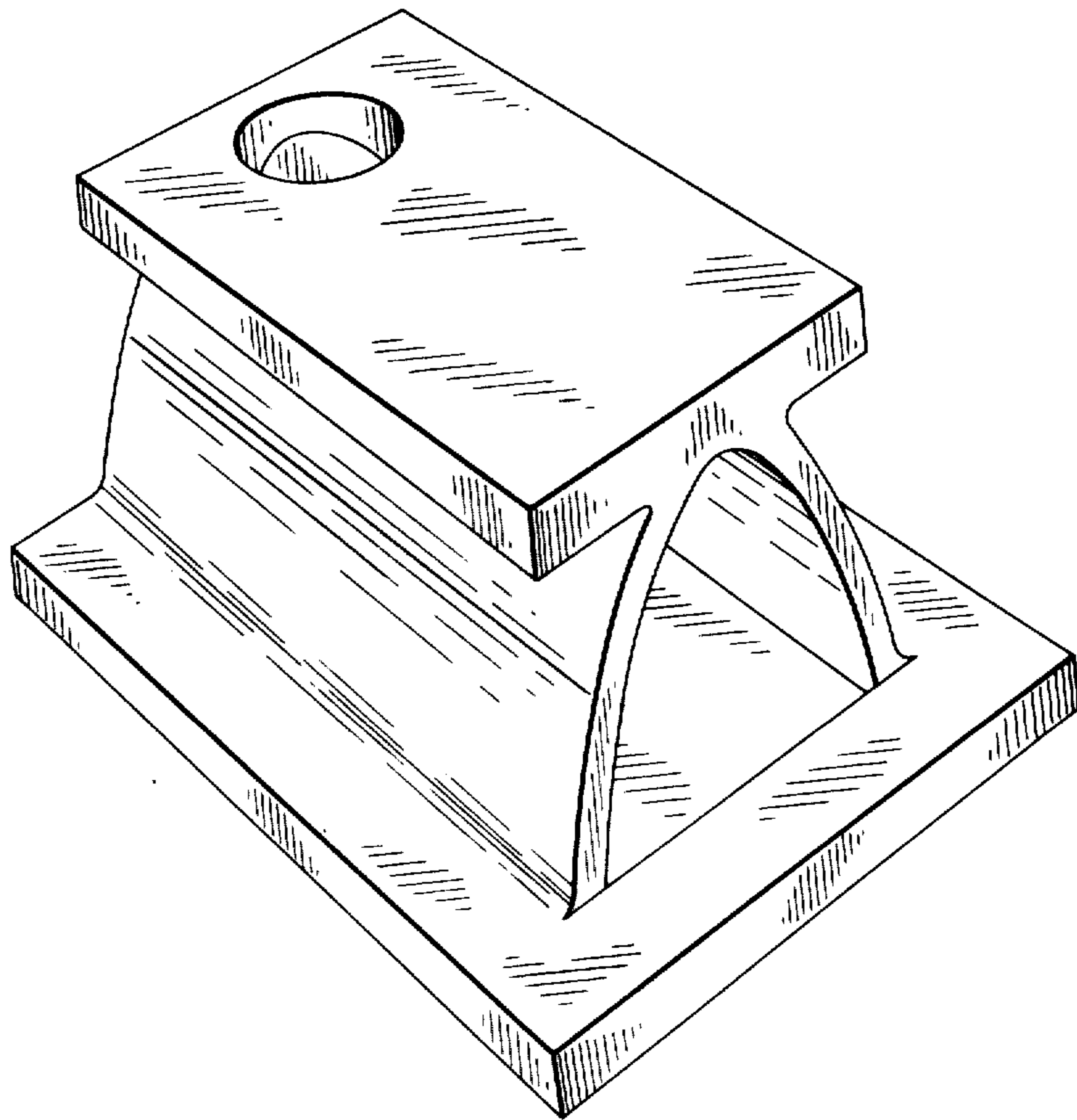
*Primary Examiner*—Catherine E. Kemper  
*Attorney, Agent, or Firm*—Klarquist, Sparkman,  
Campbell, Leigh, Winston & Dellett

[57] **CLAIM**

The ornamental design for a cast stove body, as shown and described.

**DESCRIPTION**

FIG. 1 is a top front perspective view of a cast stove body, showing our new design; FIG. 2 is a rear view thereof; and FIG. 3 is a bottom view thereof on a reduced scale.



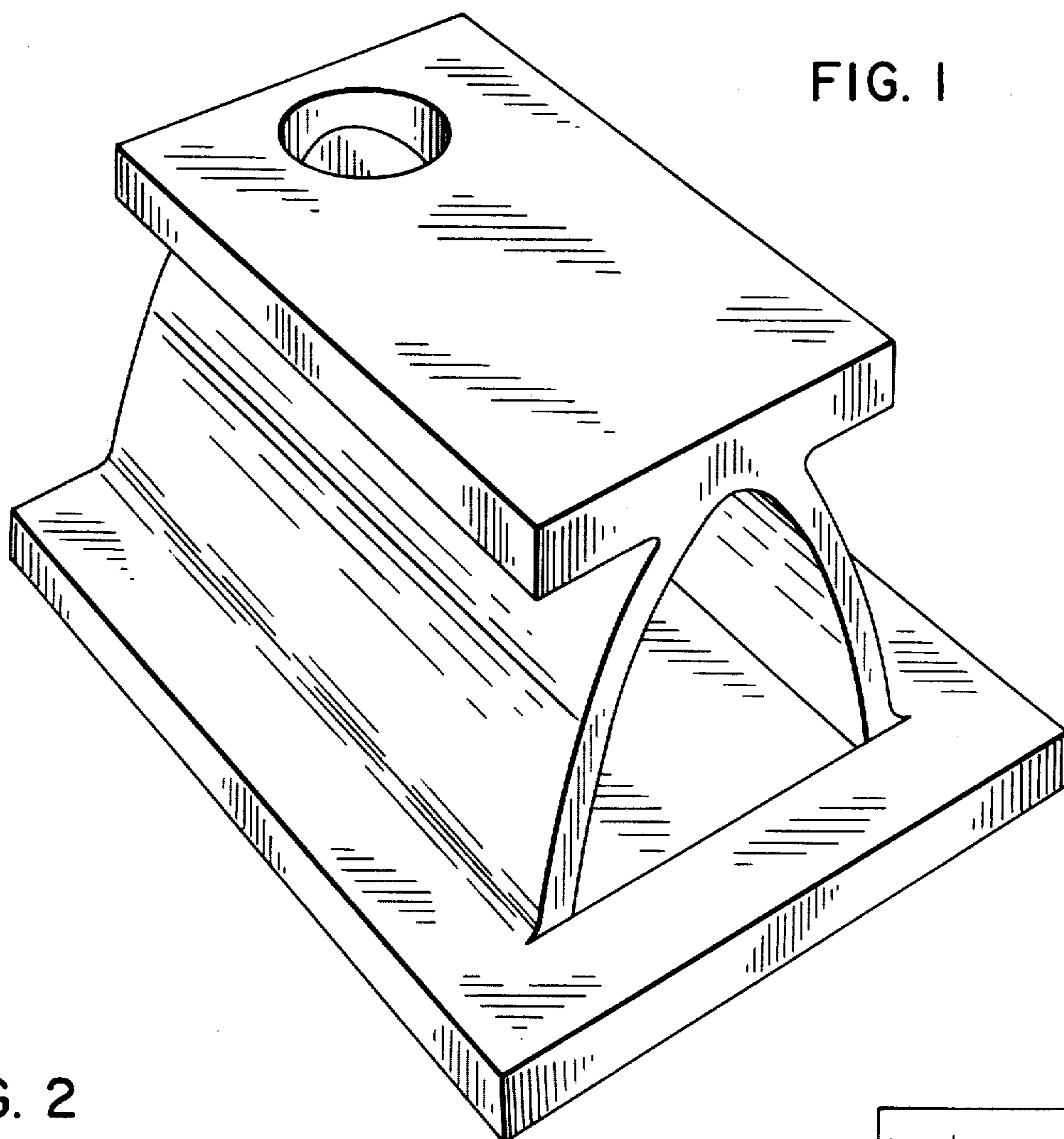


FIG. 1

FIG. 2

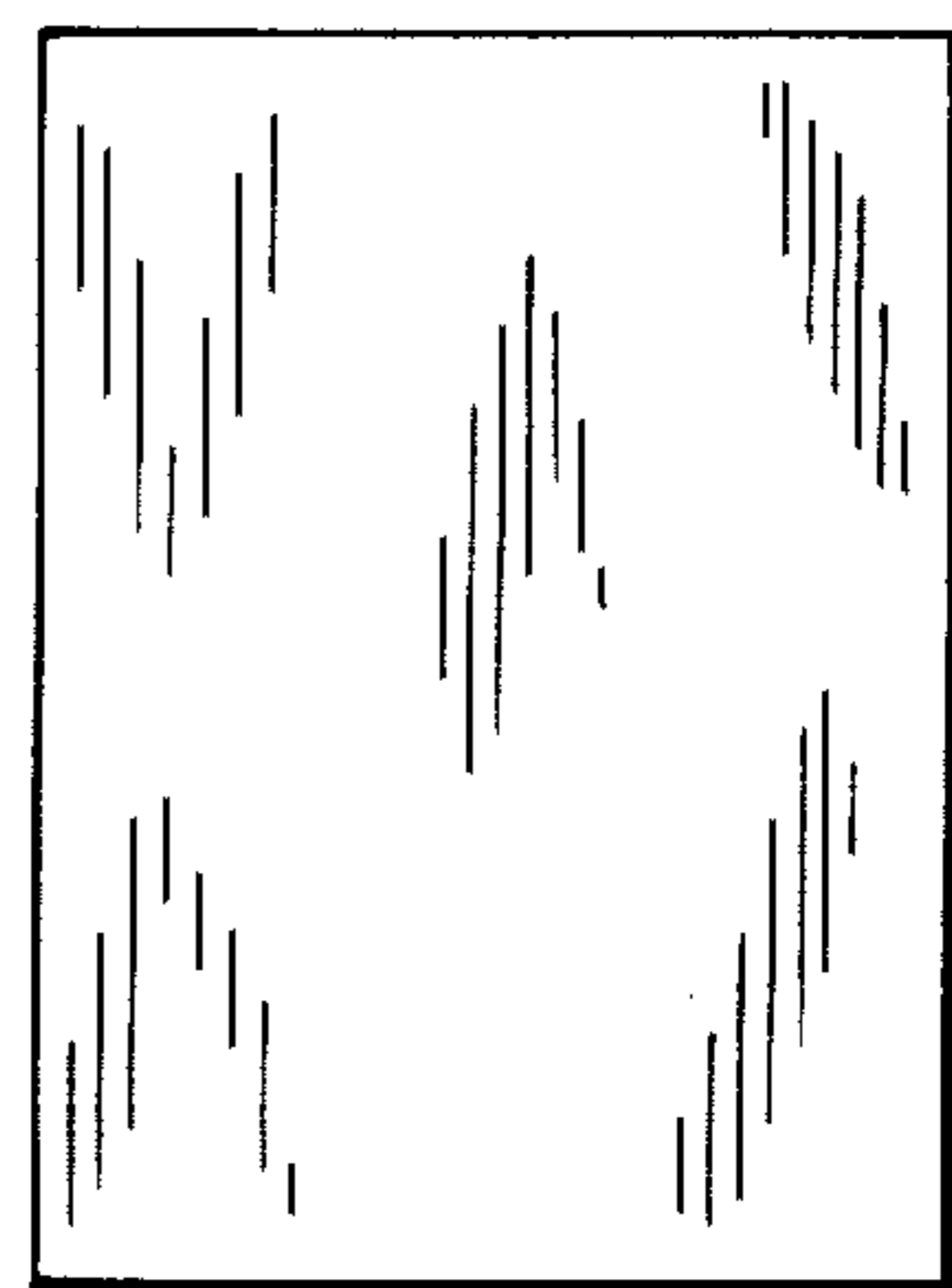
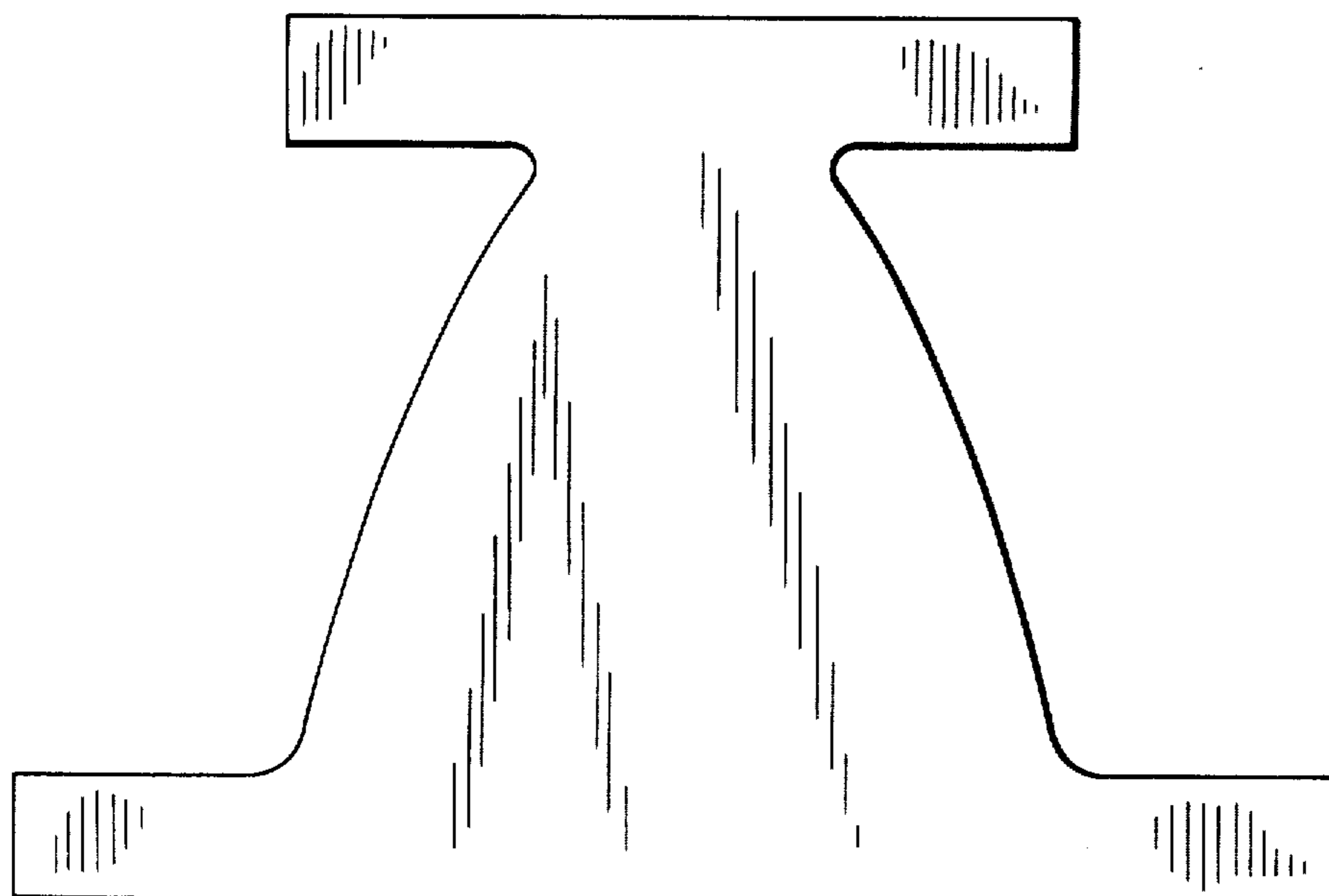


FIG. 3