

[54] **IRRIGATION SPRAY NOZZLE**  
 [75] Inventor: **William A. Wood, Glendora, Calif.**  
 [73] Assignee: **Rain Bird Sprinkler Mfg. Corp., Glendora, Calif.**  
 [\*\*] Term: **14 Years**  
 [21] Appl. No.: **201,011**  
 [22] Filed: **Oct. 27, 1980**

2,025,063 12/1935 Loepsinger .  
 2,076,483 4/1937 Rowley .  
 2,488,234 11/1949 Perry ..... 239/222.17  
 2,724,614 11/1955 Ricer .  
 3,006,558 10/1961 Jacobs .  
 3,101,176 8/1963 Goss .  
 3,171,602 3/1965 Bauchet .  
 3,785,572 1/1974 Arnold et al. .  
 3,958,760 5/1976 Rosenberg .  
 4,111,366 9/1978 De Witte ..... 239/222.17  
 4,199,105 4/1980 Olson et al. .

[51] Int. Cl. .... **D23-01**  
 [52] U.S. Cl. .... **D23/35; D23/6**  
 [58] Field of Search ..... **D23/6-10, D23/34, 835; 239/222.17, 380, 381**

**OTHER PUBLICATIONS**

Ron-Vik, Inc. Advertising Brochure.  
*Primary Examiner*—James R. Largen  
*Attorney, Agent, or Firm*—Fulwider, Patton, Rieber, Lee & Utecht

[56] **References Cited**

**U.S. PATENT DOCUMENTS**

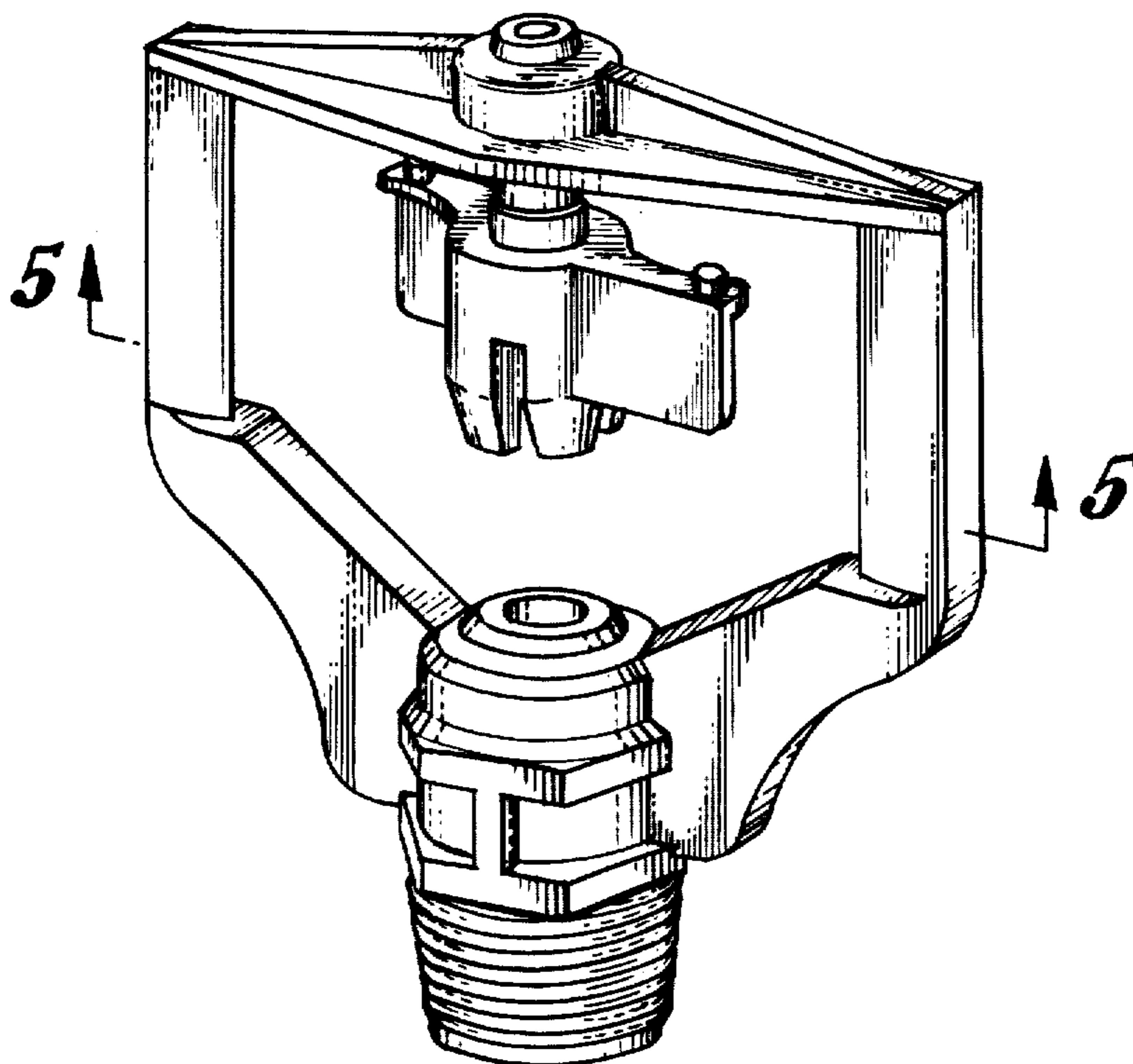
225,092 3/1880 Alderson et al. .  
 D. 253,364 11/1979 McFadden ..... D23/34 X  
 D. 253,842 1/1980 Addison et al. .... D23/35  
 D. 258,382 2/1981 Addison et al. .... D23/35  
 D. 258,383 2/1981 Addison et al. .... D23/35  
 D. 258,678 2/1981 Addison et al. .... D23/35  
 D. 258,754 3/1981 Addison et al. .... D23/35  
 D. 258,755 3/1981 Addison et al. .... D23/35  
 D. 260,169 8/1981 Vikro ..... D23/35  
 453,055 5/1891 Wore ..... 239/222.17  
 960,732 6/1910 Taylor .  
 1,674,480 6/1928 Nelson .  
 1,727,111 9/1929 Moore .  
 1,847,921 3/1932 Bowers .

[57] **CLAIM**

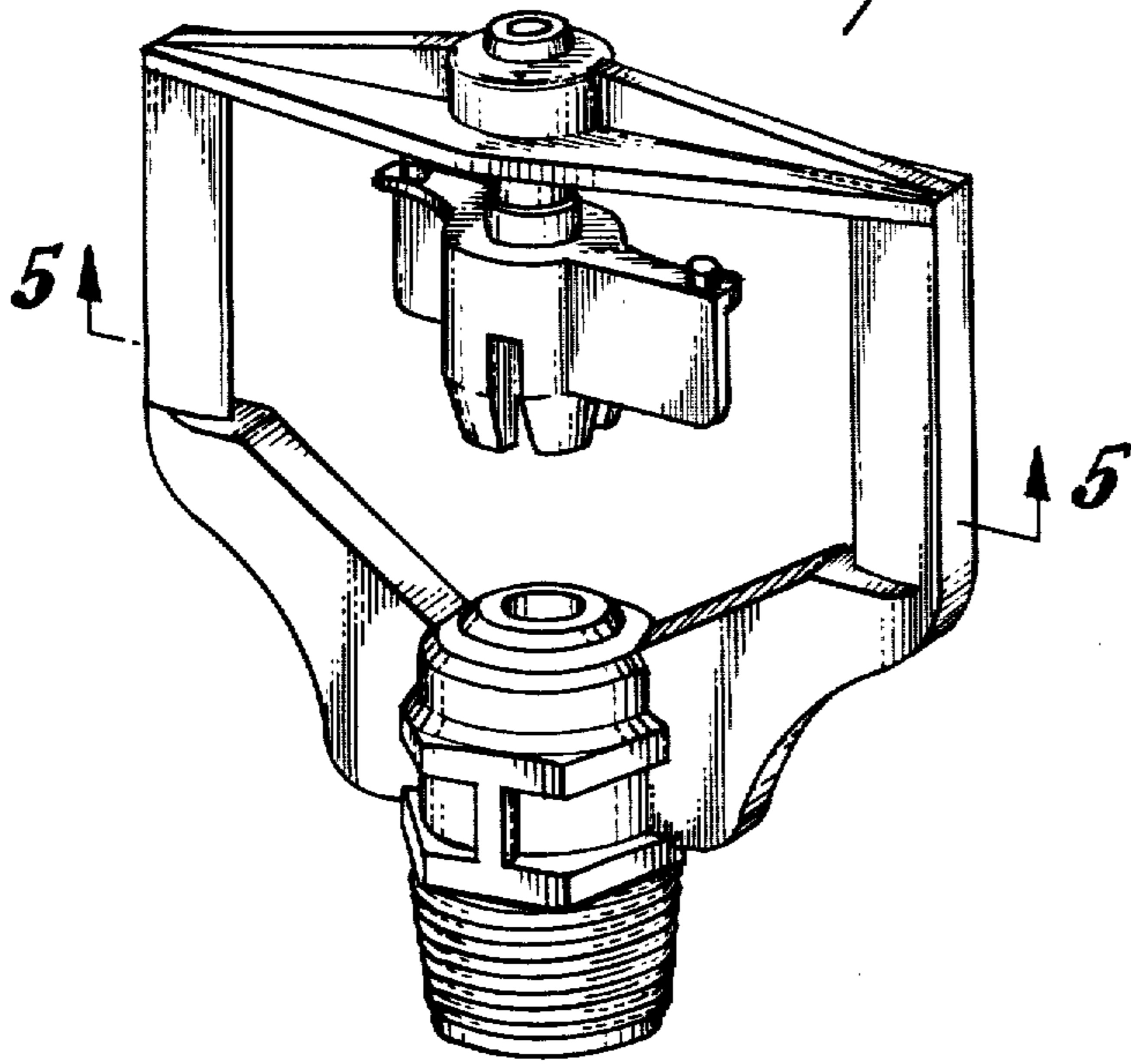
The ornamental design for an irrigation spray nozzle, substantially as shown.

**DESCRIPTION**

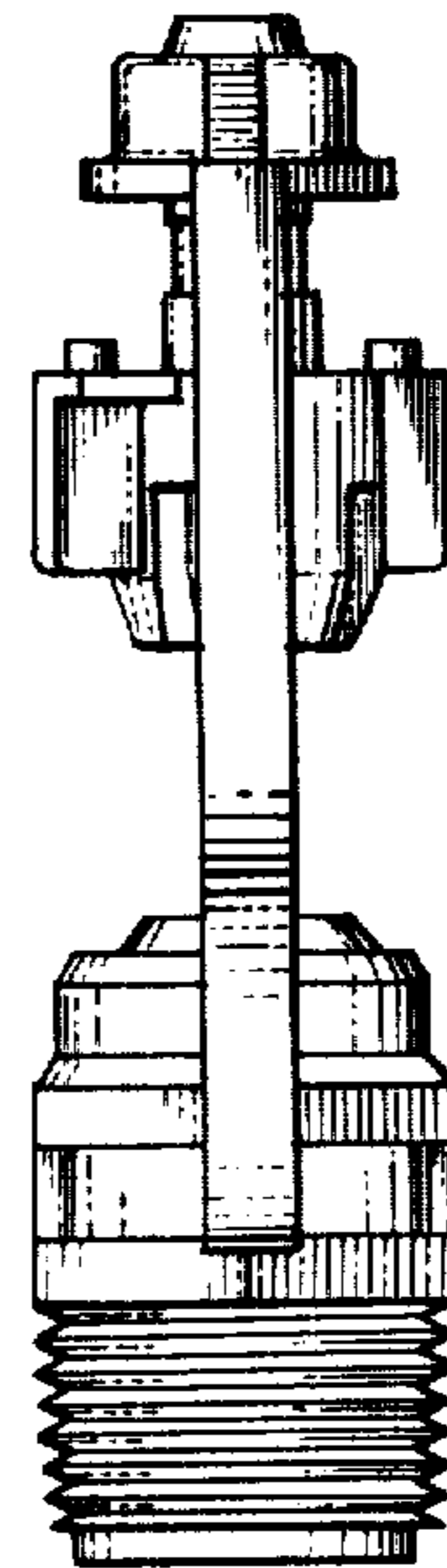
FIG. 1 is a perspective view taken from the top, front and right side of an irrigation spray nozzle showing my new design, the rear being identical to the front shown; FIG. 2 is a right side elevational view thereof, the left side being a mirror image of the right side shown; FIG. 3 is a top plan view thereof; FIG. 4 is a bottom plan view thereof; and FIG. 5 is a cross section taken on the line 5-5 of FIG. 1.



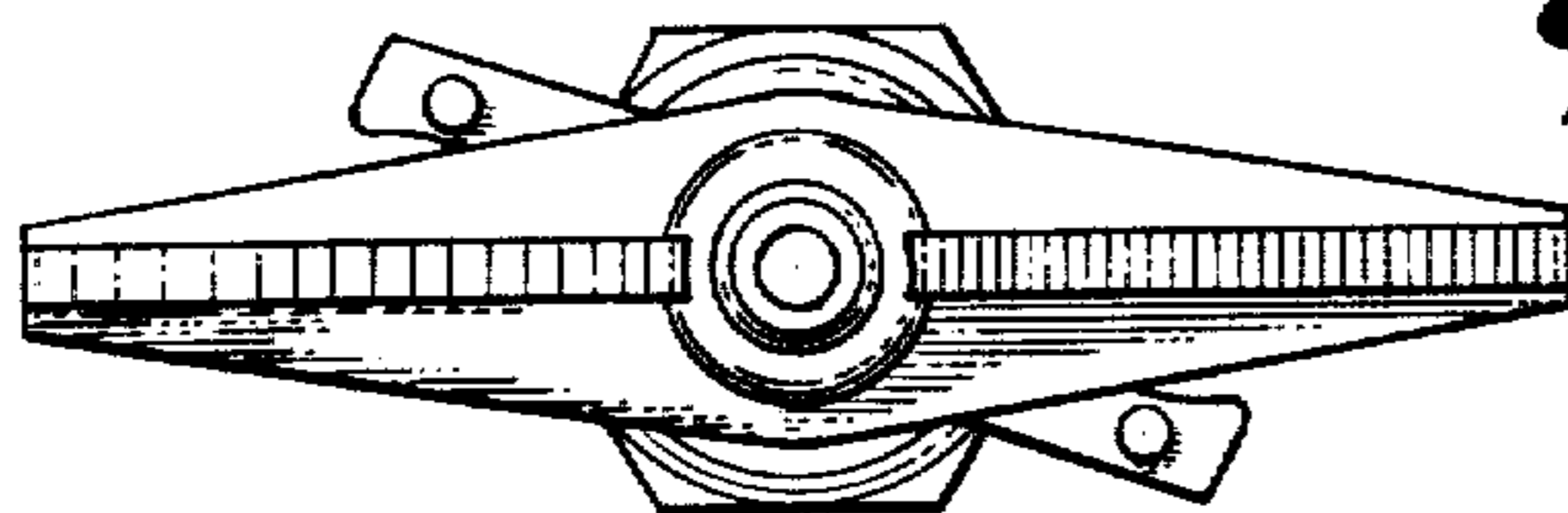
*Fig. 1*



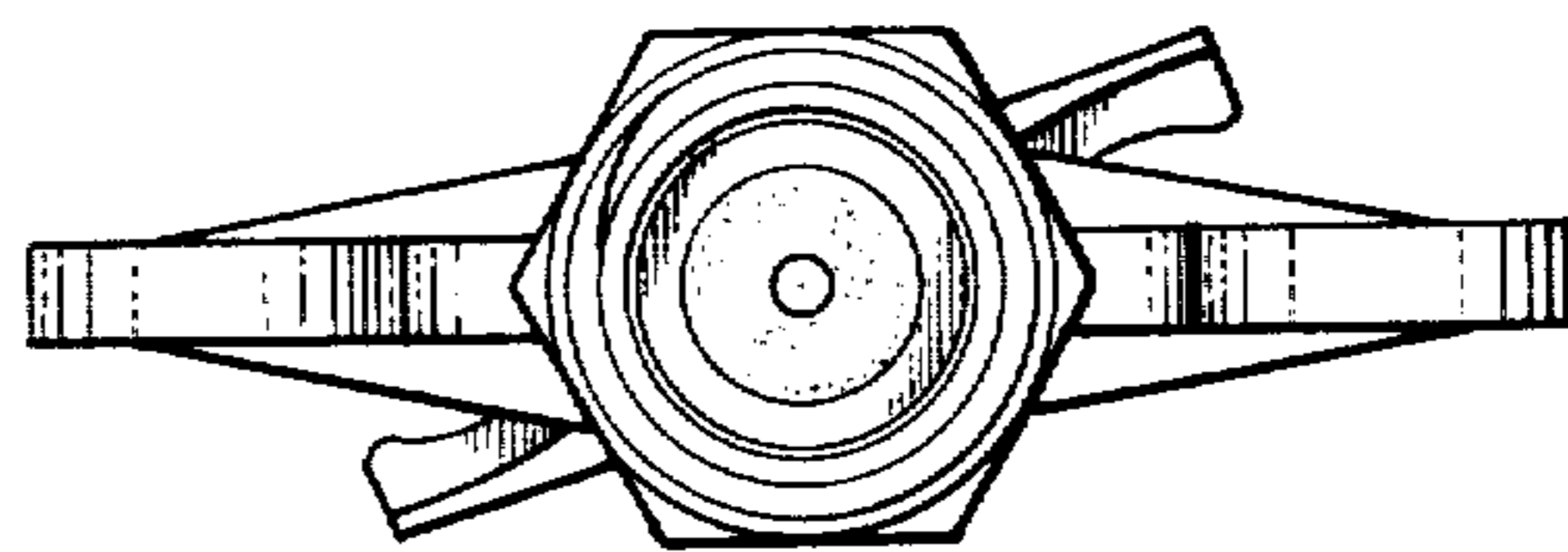
*Fig. 2*



*Fig. 3*



*Fig. 4*



*Fig. 5*

