

[54] **FISHING REEL**

[75] **Inventor:** Henry L. Neufeld, Tulsa, Okla.

[73] **Assignee:** Brunswick Corporation, Skokie, Ill.

[\*\*] **Term:** 14 Years

[21] **Appl. No.:** 218,913

[22] **Filed:** Dec. 22, 1980

[51] **Int. Cl.** ..... D22-05

[52] **U.S. Cl.** ..... D22/25

[58] **Field of Search** ..... 242/84.1 R, 84.2 R,  
242/84.2 A; D22/25

[56] **References Cited**

**U.S. PATENT DOCUMENTS**

D. 262,483 12/1981 Miller ..... D22/25

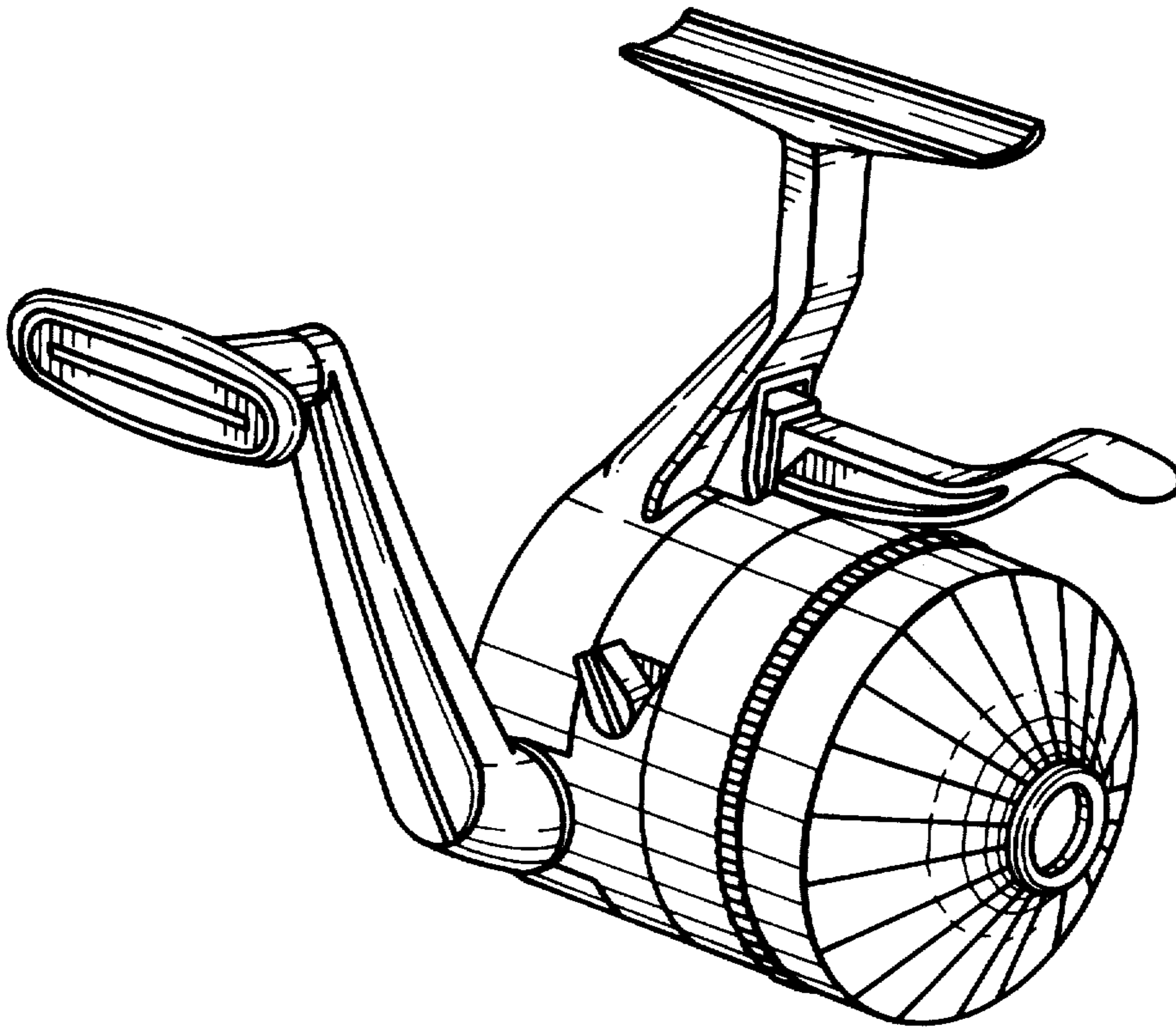
*Primary Examiner*—A. Hugo Word  
*Attorney, Agent, or Firm*—John G. Heimovics

[57] **CLAIM**

The ornamental design of a fishing reel, as shown and described.

**DESCRIPTION**

FIG. 1 is a perspective view of a front and side portion of the fishing reel showing my new design; FIG. 2 is a side elevation view thereof; FIG. 3 is a front elevation view thereof; FIG. 4 is a side elevation view thereof; FIG. 5 is a rear elevation view thereof; FIG. 6 is a top plan view thereof; and, FIG. 7 is a bottom plan view thereof.



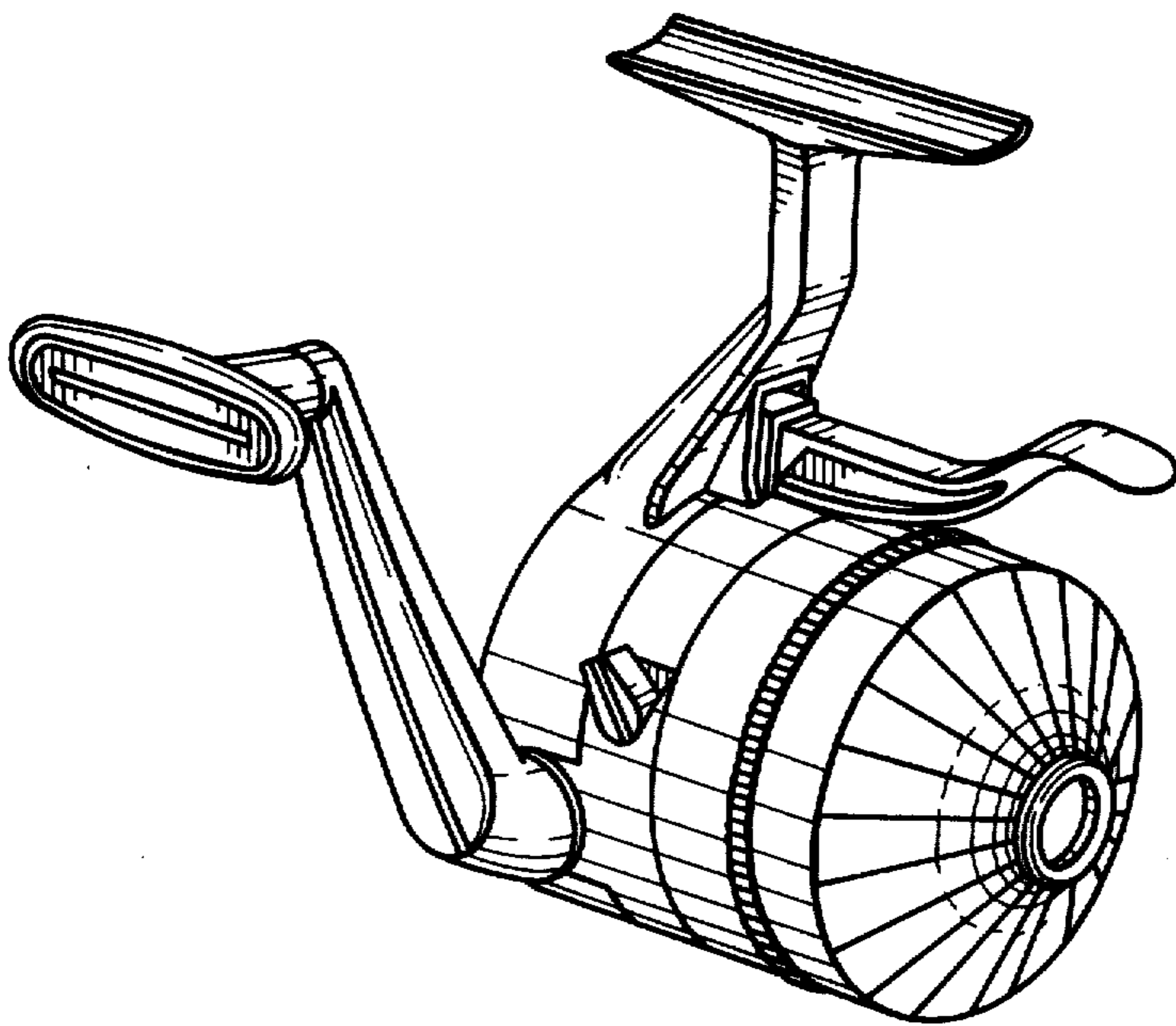


FIG. 1

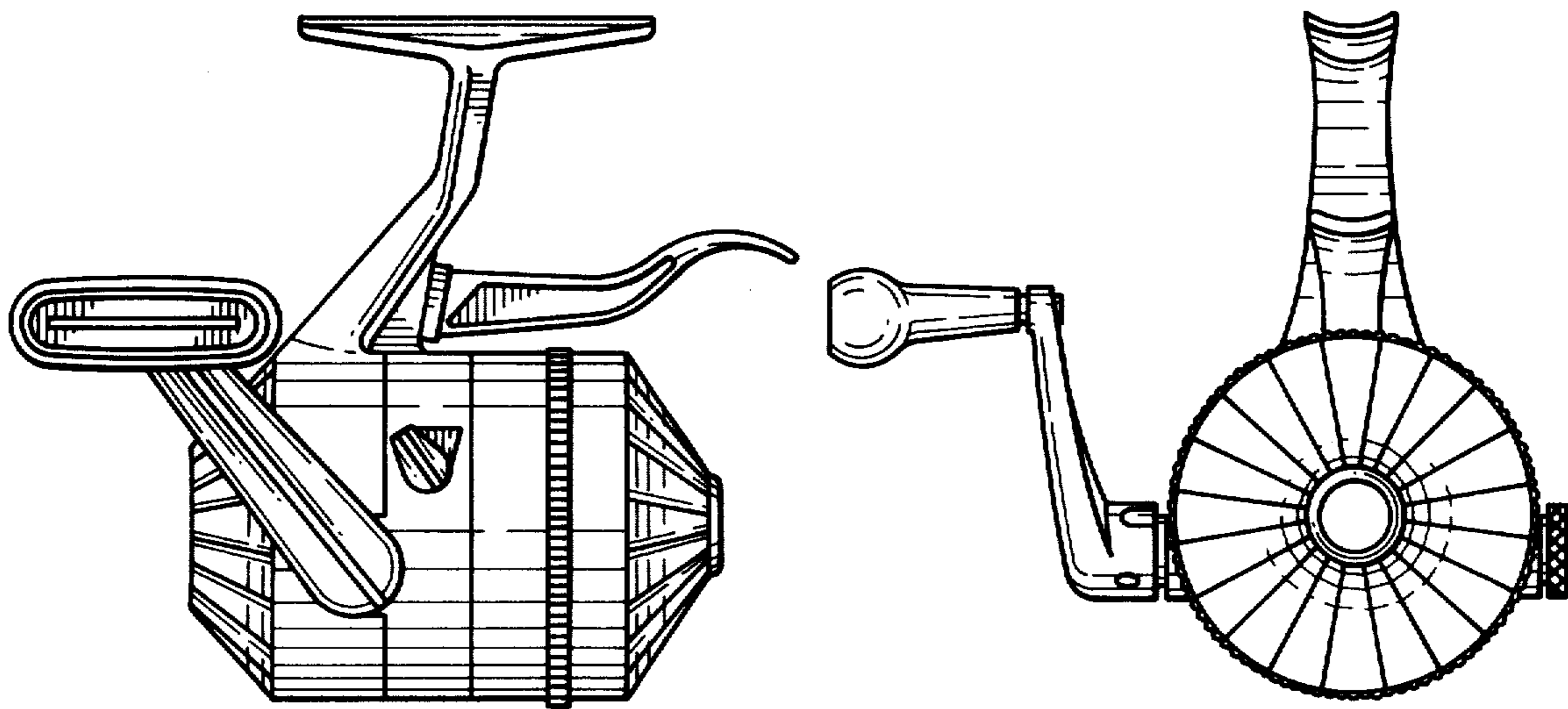


FIG. 2

FIG. 3

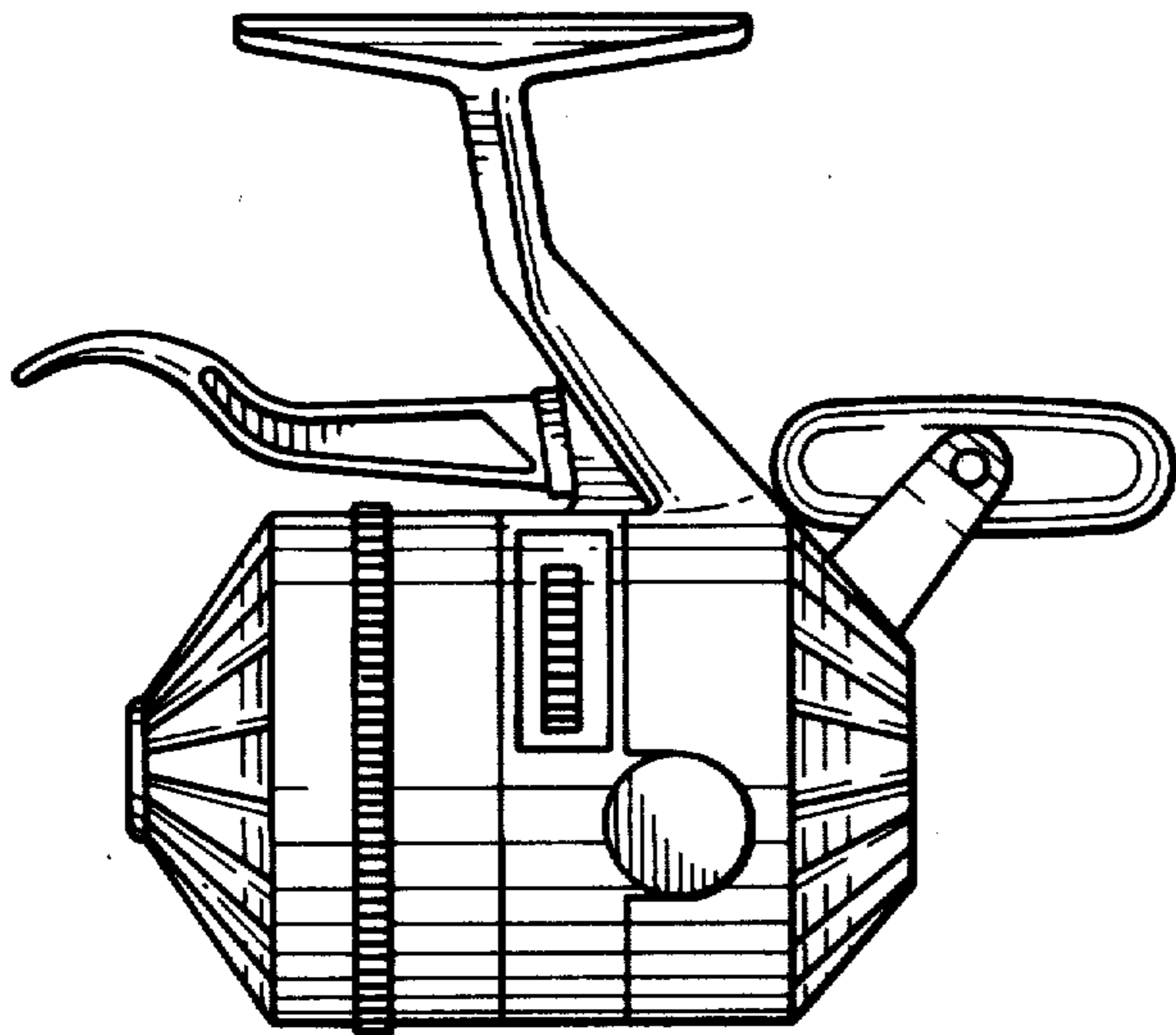


FIG. 4

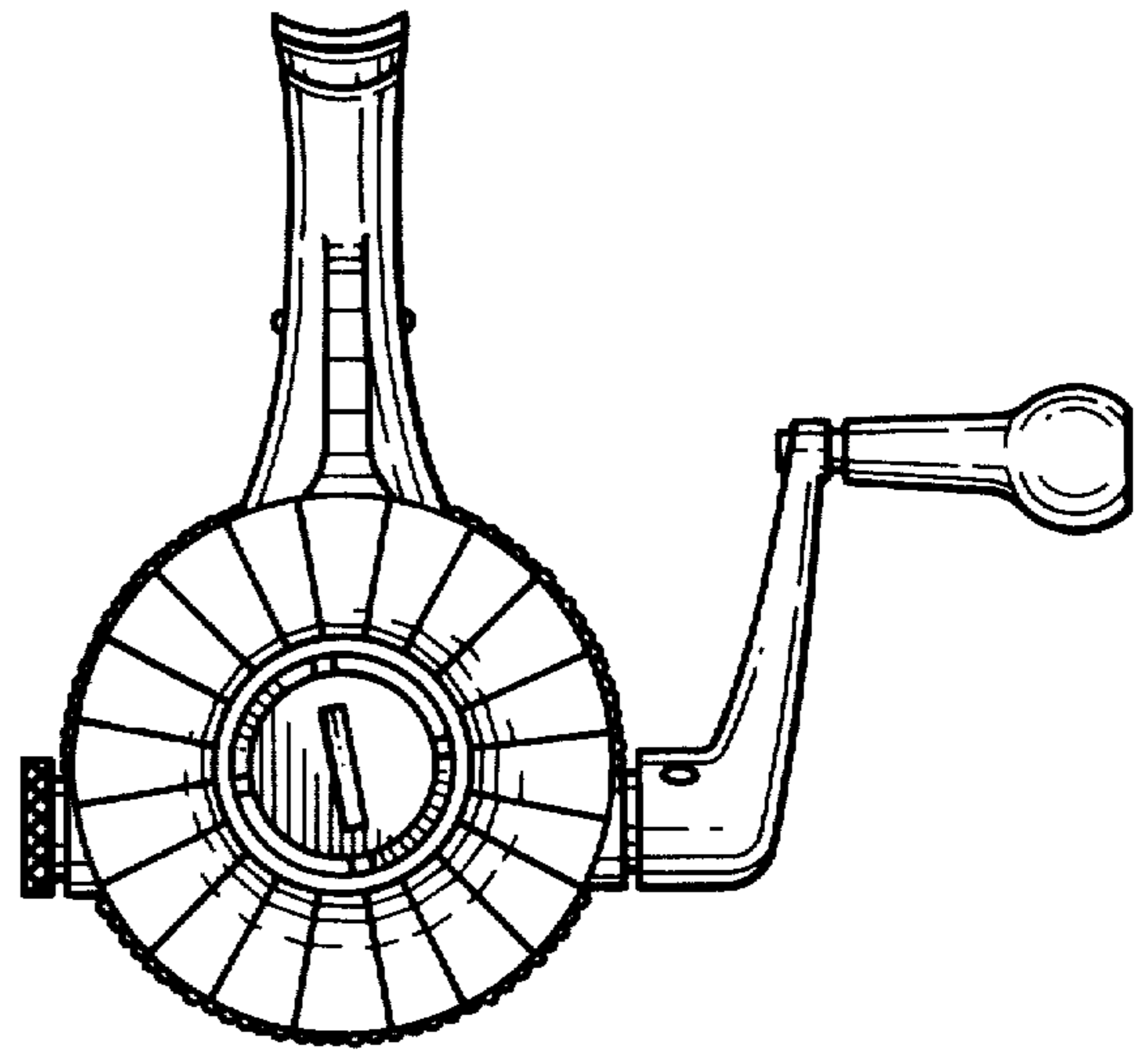


FIG. 5

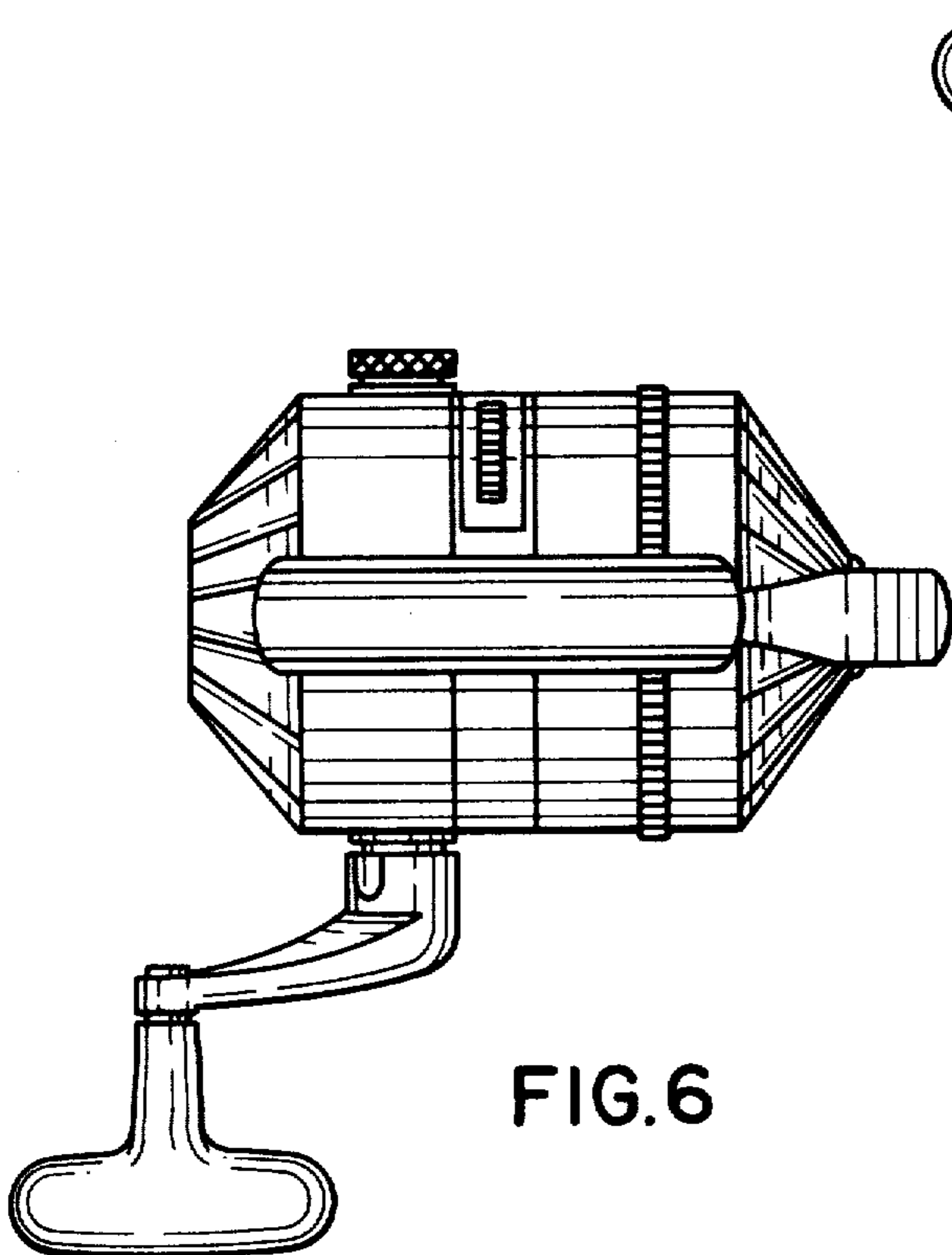


FIG. 6

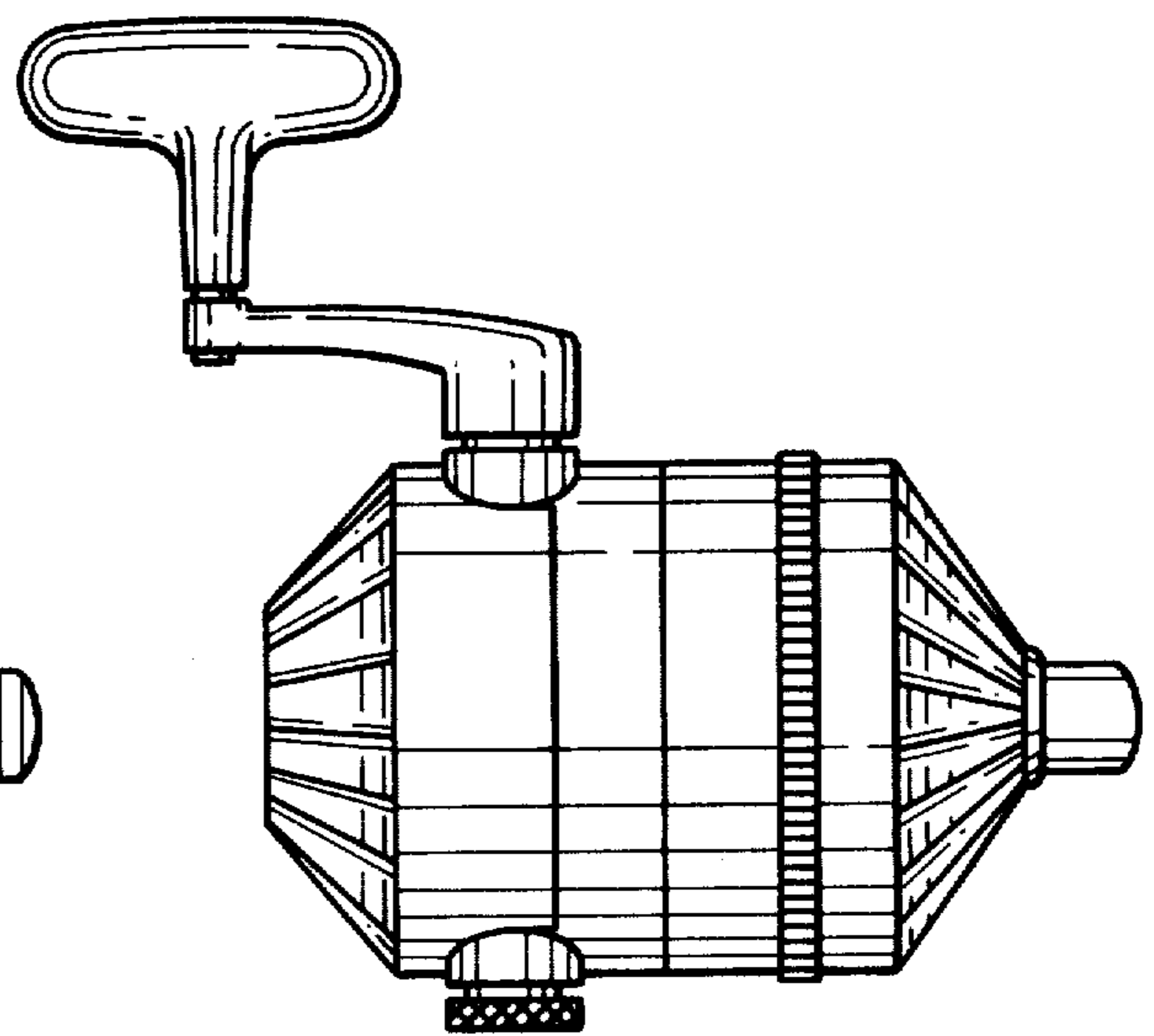


FIG. 7