

[54] FISHING REEL

[75] Inventors: Etsuo Hiraishi, Hiroshima; Masakazu Sakamoto, Fukuyama, both of Japan

[73] Assignee: Ryobi Limited, Hiroshima, Japan

[**] Term: 14 Years

[21] Appl. No.: 184,906

[22] Filed: Sep. 8, 1980

[30] Foreign Application Priority Data

Mar. 28, 1980 [JP] Japan 55-12468

[51] Int. Cl. D22-05

[52] U.S. Cl. D22/25

[58] Field of Search D22/25, 26; 242/84.1 R, 242/84.1 J, 84.2 R, 84.2 H, 84.21 R, 84.21 A

[56] References Cited

U.S. PATENT DOCUMENTS

- D. 223,355 4/1972 Kuroki D22/25
- D. 245,784 9/1977 Okada D22/25
- 3,164,334 1/1965 Gris D22/25 X
- 3,250,489 5/1966 Hiromitsu D22/25 X

Primary Examiner—A. Hugo Word
Attorney, Agent, or Firm—Birch, Stewart, Kolasch & Birch

[57] CLAIM

The ornamental design for the fishing reel, as shown and described.

DESCRIPTION

FIG. 1 is a front view of the fishing reel embodying our invention;
 FIG. 2 is a right side view of the fishing reel as shown in FIG. 1;
 FIG. 3 is a left side view of the fishing reel as shown in FIG. 1;
 FIG. 4 is a rear view of the fishing reel as shown in FIG. 1;
 FIG. 5 is a bottom view of the fishing reel as shown in FIG. 1;
 FIG. 6 is a top plan view of the fishing reel as shown in FIG. 1;
 FIG. 7 is a front perspective view of the fishing reel as shown in FIG. 1; and
 FIG. 8 is a rotated perspective view of the fishing reel as shown in FIG. 7.

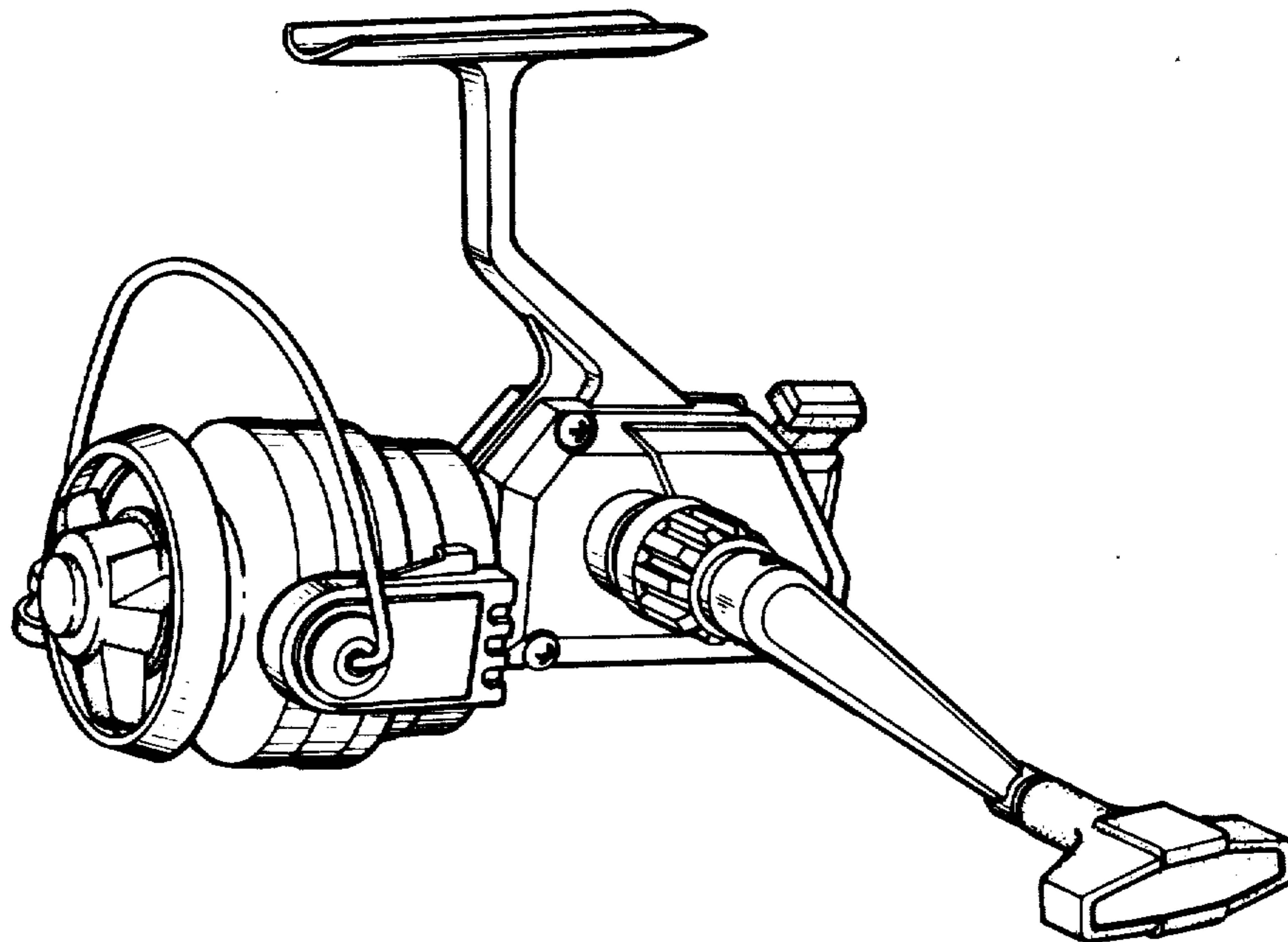


FIG. 1

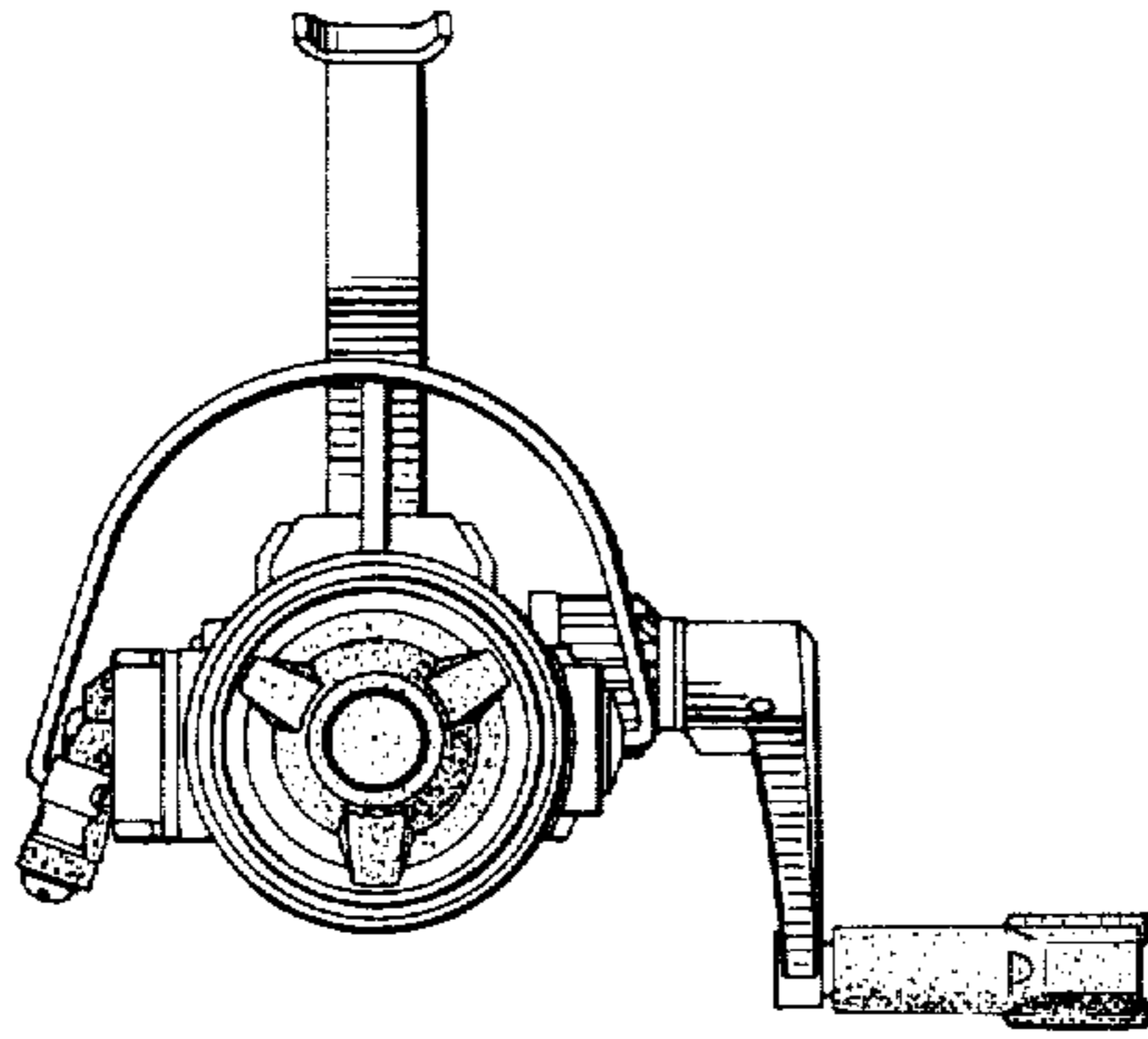


FIG. 2

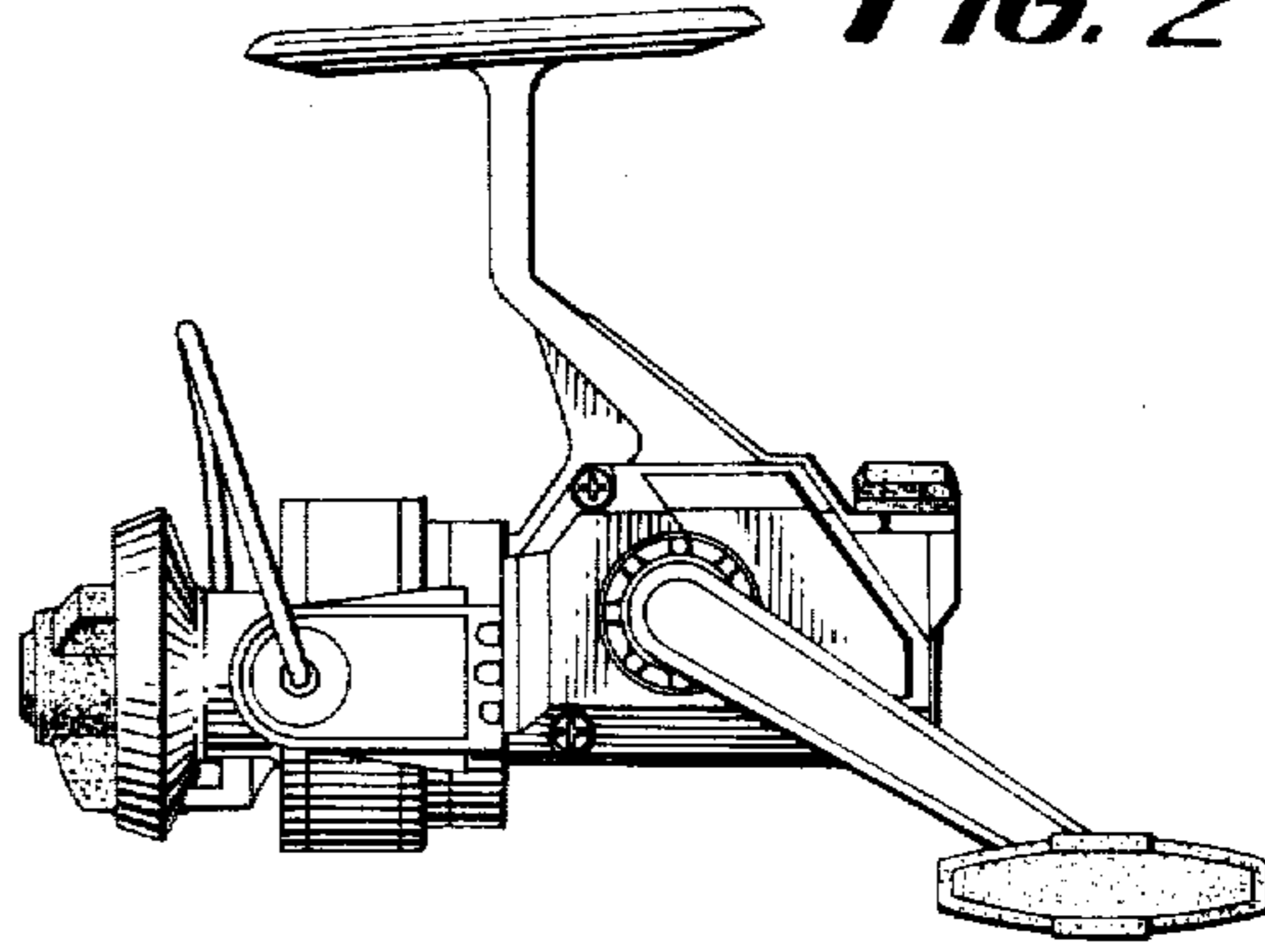


FIG. 3

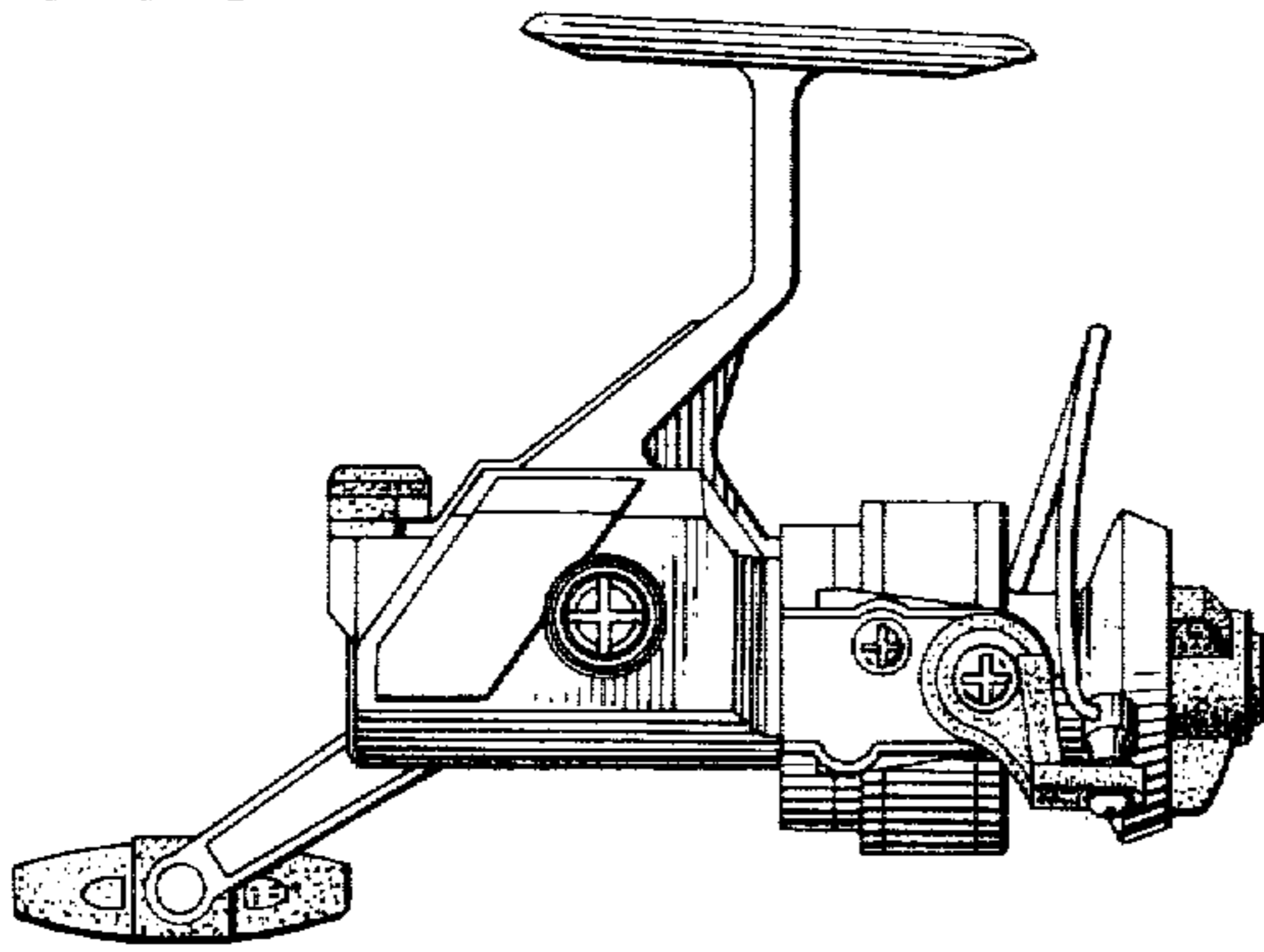


FIG. 4

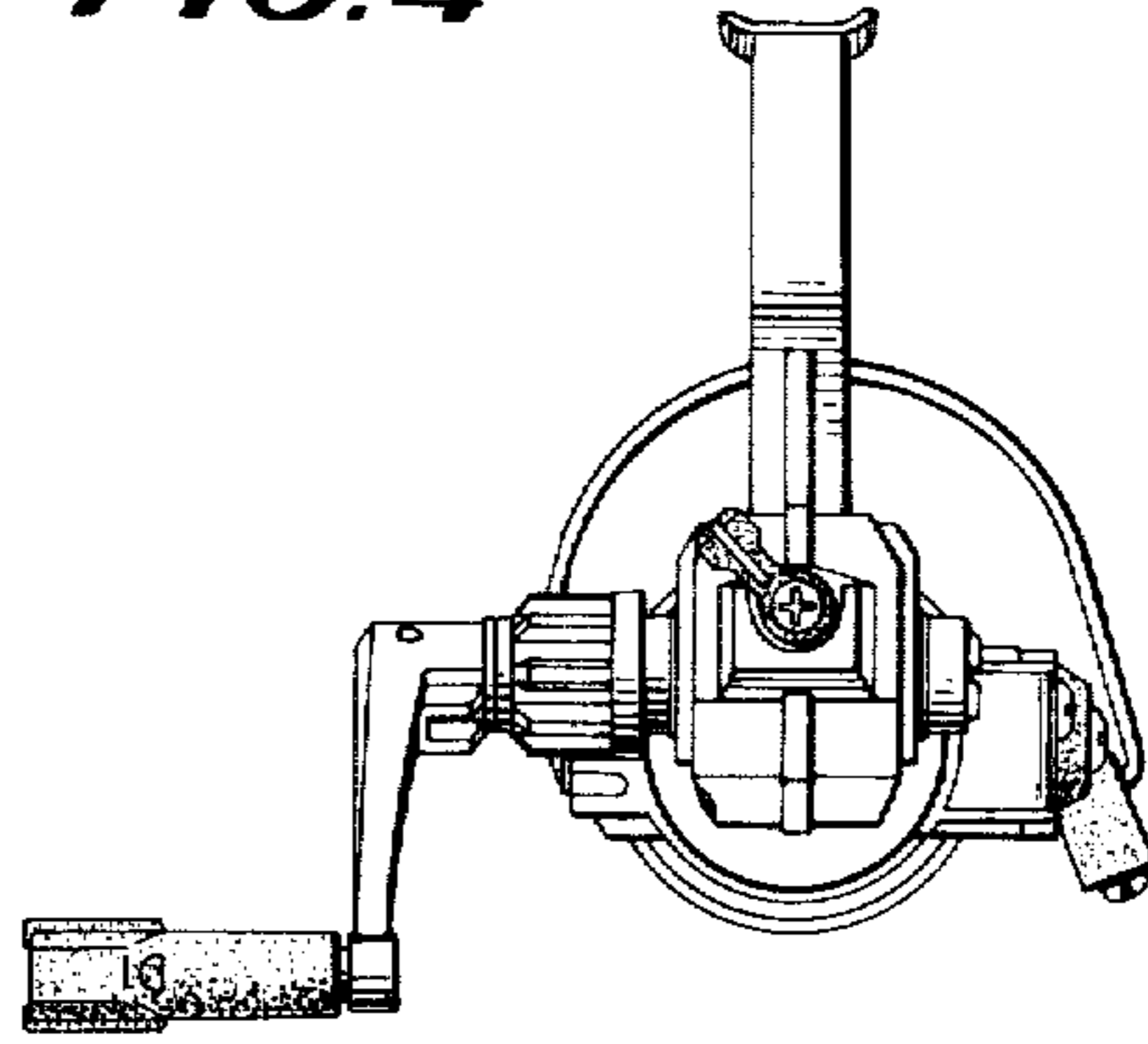


FIG. 5

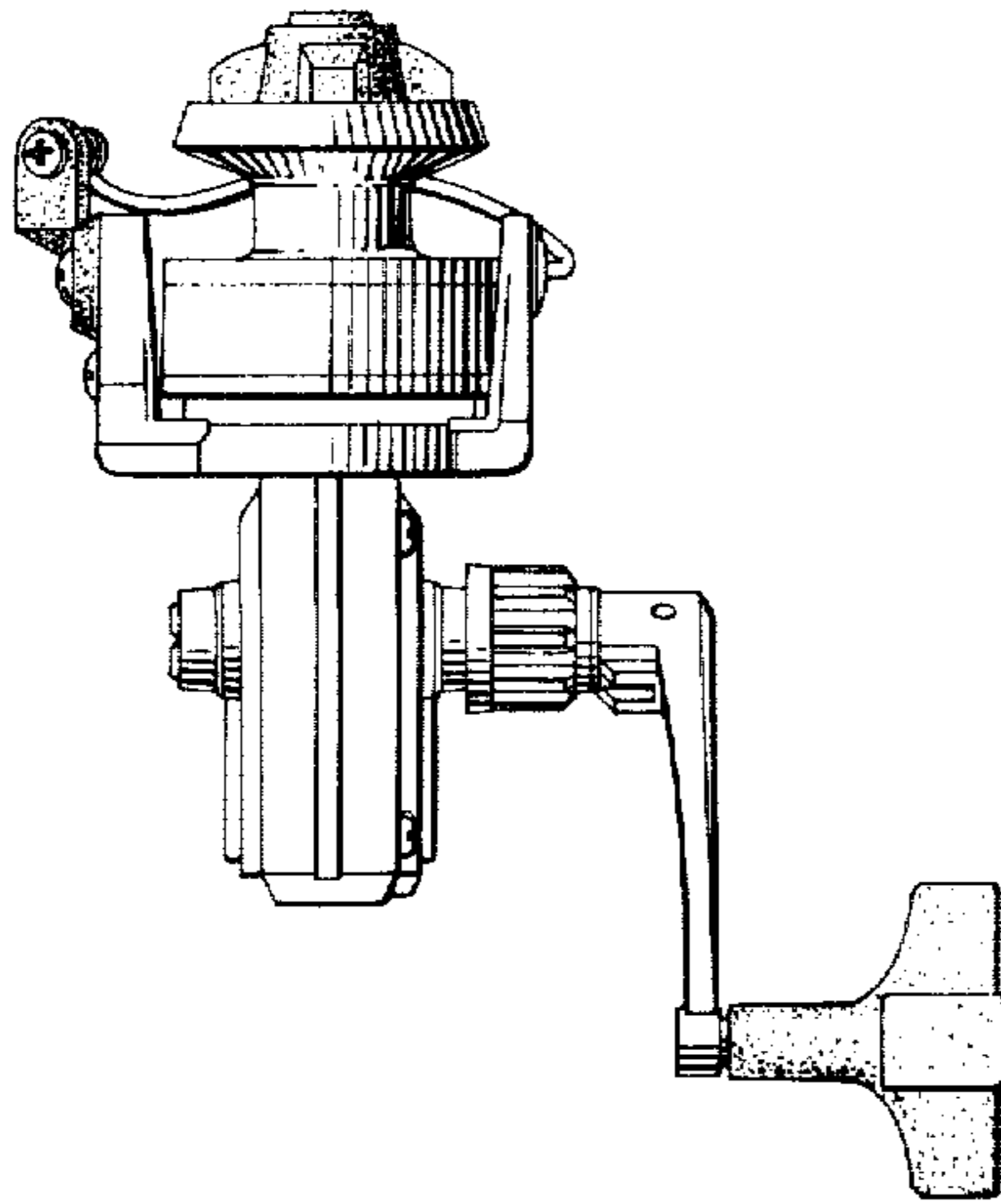


FIG. 6

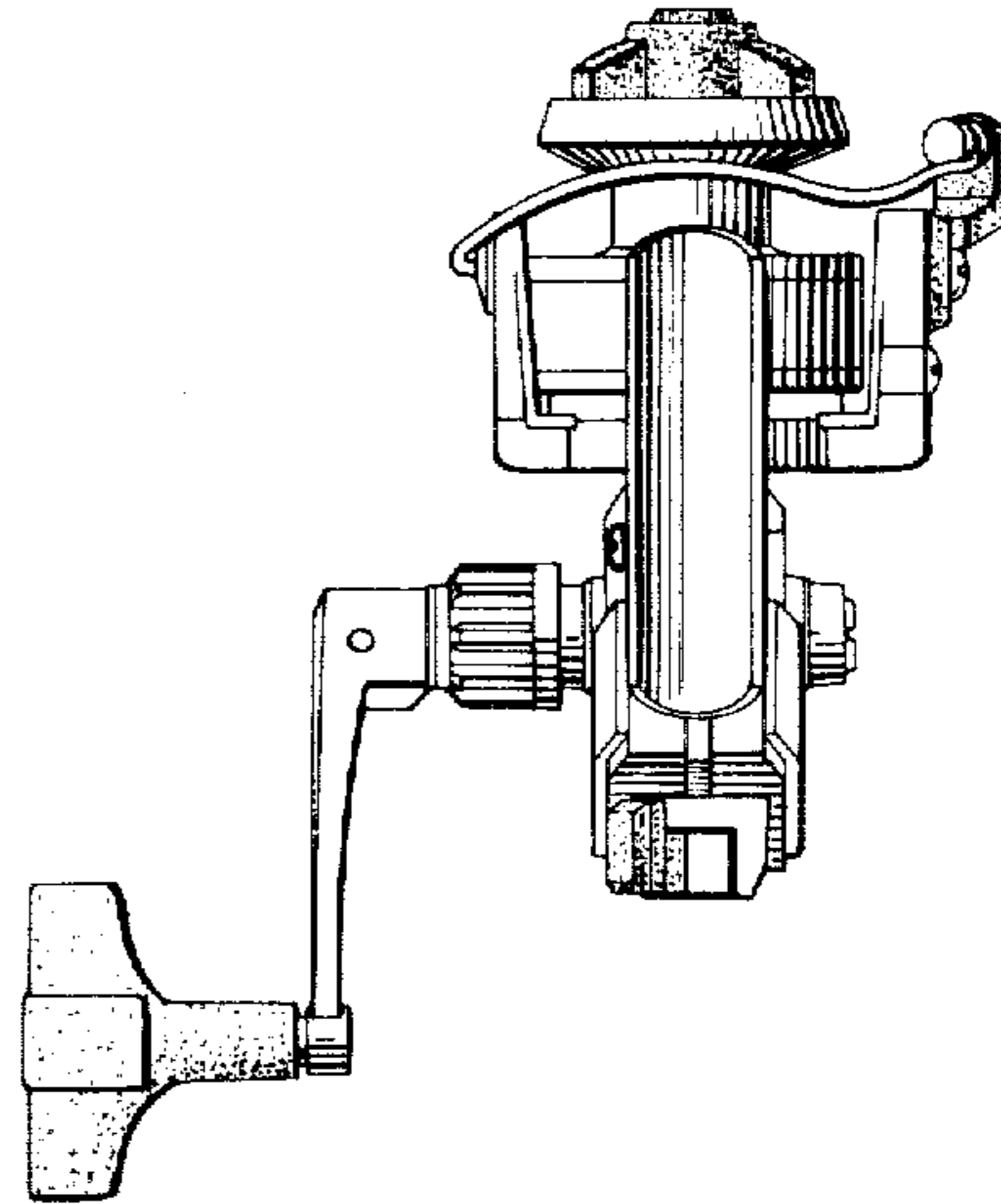


FIG. 7

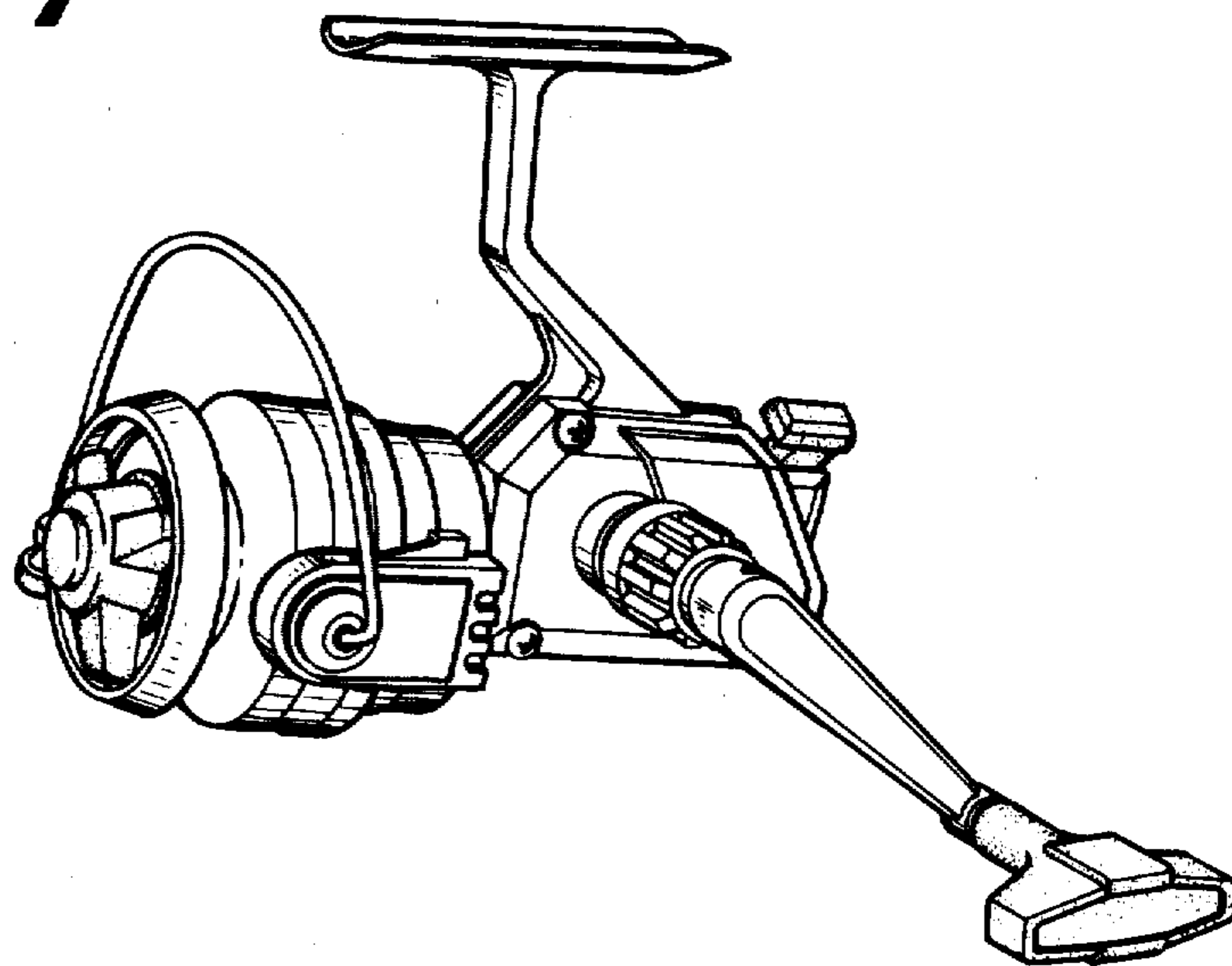


FIG. 8

