

[54] GOLF PUTTER HEAD

[76] Inventor: R. Pete Lowry, 3444 Scott Cir., Salt Lake City, Utah 84115

[**] Term: 14 Years

[21] Appl. No.: 253,131

[22] Filed: Apr. 13, 1981

[51] Int. Cl. D21-02

[52] U.S. Cl. D21/219

[58] Field of Search D21/214-220; 273/163 R, 164, 167-175

[56] References Cited

U.S. PATENT DOCUMENTS

- D. 245,932 9/1977 Lowry D21/218
- D. 263,409 3/1982 Duclos D21/219

OTHER PUBLICATIONS

Golf World, Mar. 28, 1980, p. 12, top, Passage Golf Club Heads.

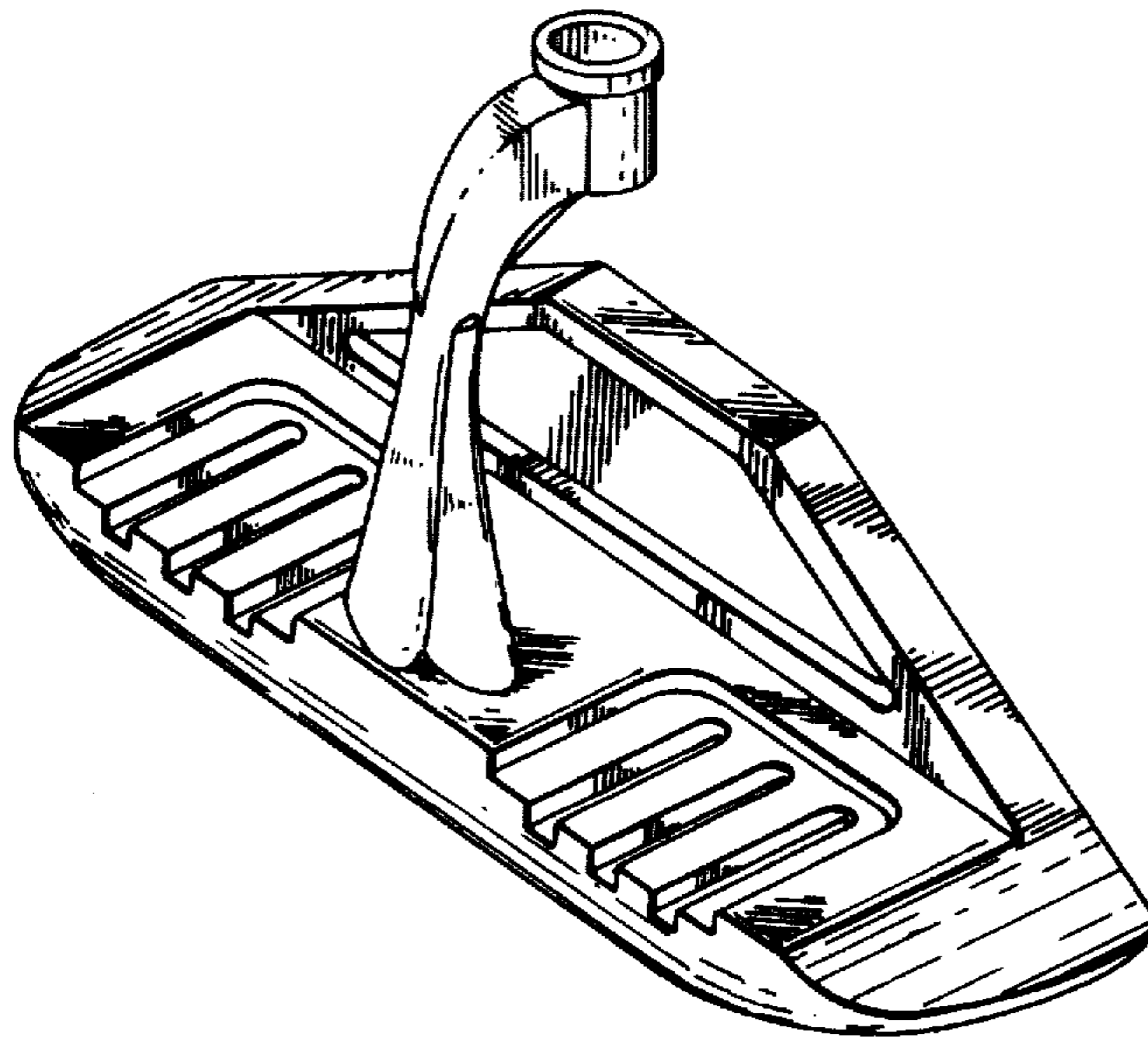
Primary Examiner—Melvin B. Feifer
Attorney, Agent, or Firm—J. Winslow Young; H. Ross Workman; Allen R. Jensen

[57] CLAIM

The ornamental design for a golf putter head, as shown and described.

DESCRIPTION

FIG. 1 is a perspective view of a golf putter head showing my new design;
 FIG. 2 is a side elevational view thereof;
 FIG. 3 is a plan view thereof;
 FIG. 4 is an end view of one end thereof;
 FIG. 5 is an end view of the other end thereof;
 FIG. 6 is a frontal view thereof; and
 FIG. 7 is a bottom view thereof.



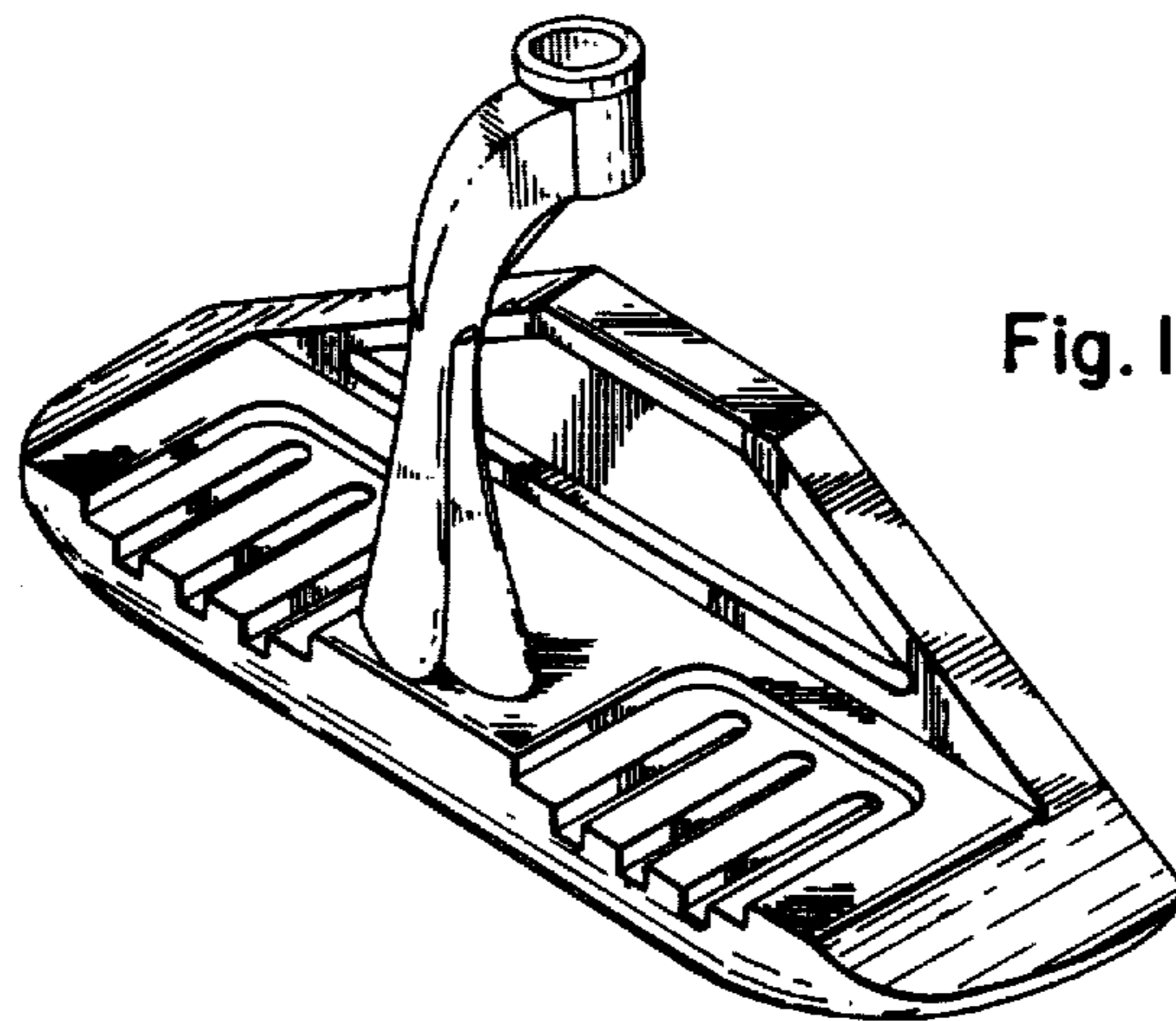


Fig. 1

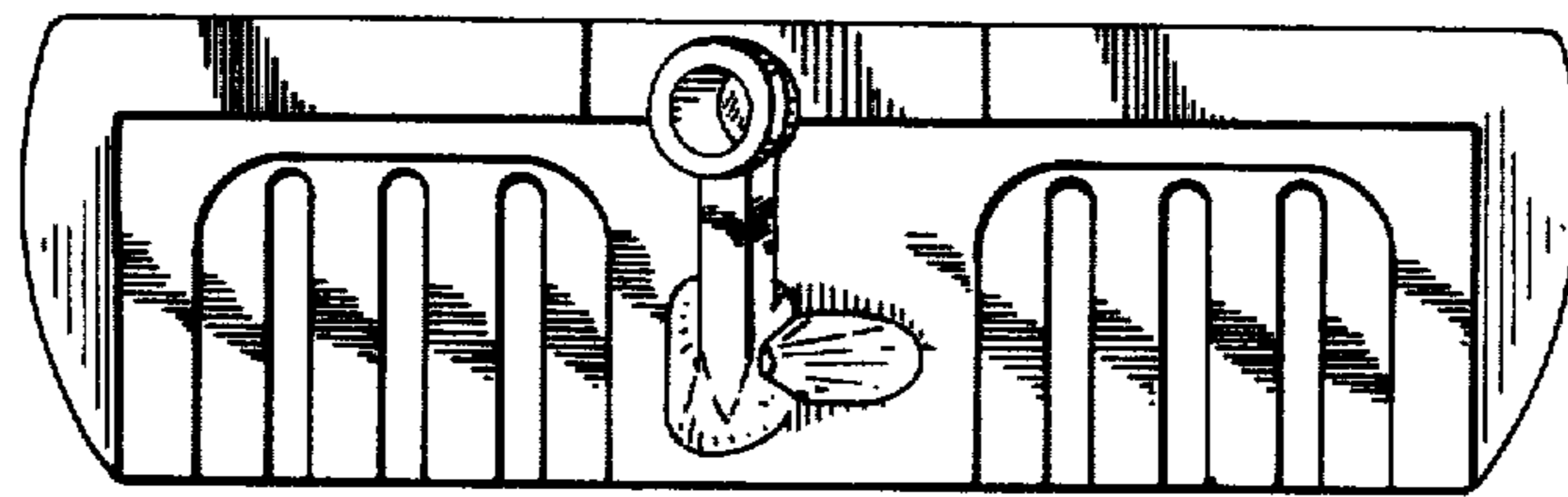


Fig. 3

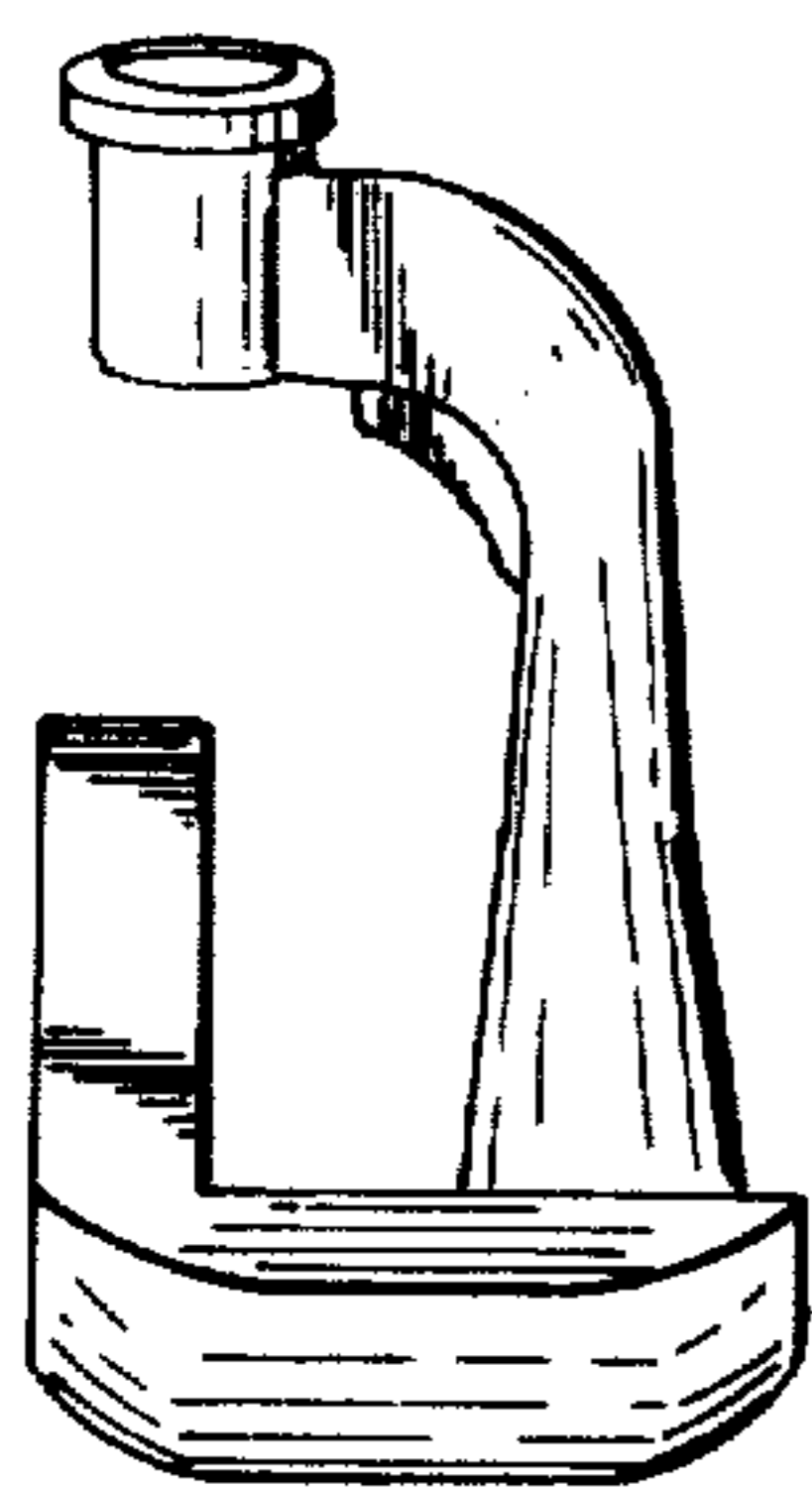


Fig. 5

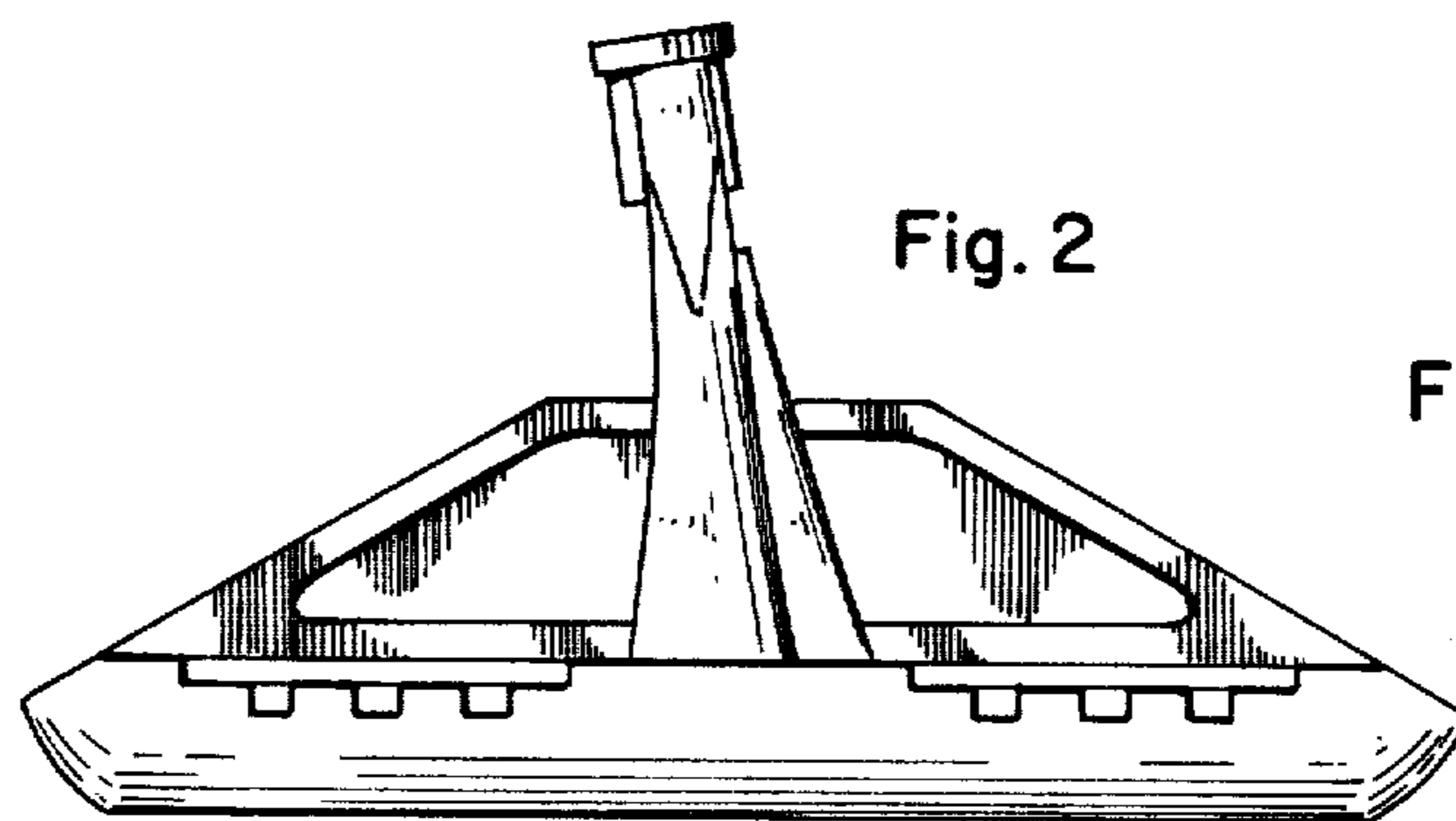


Fig. 2

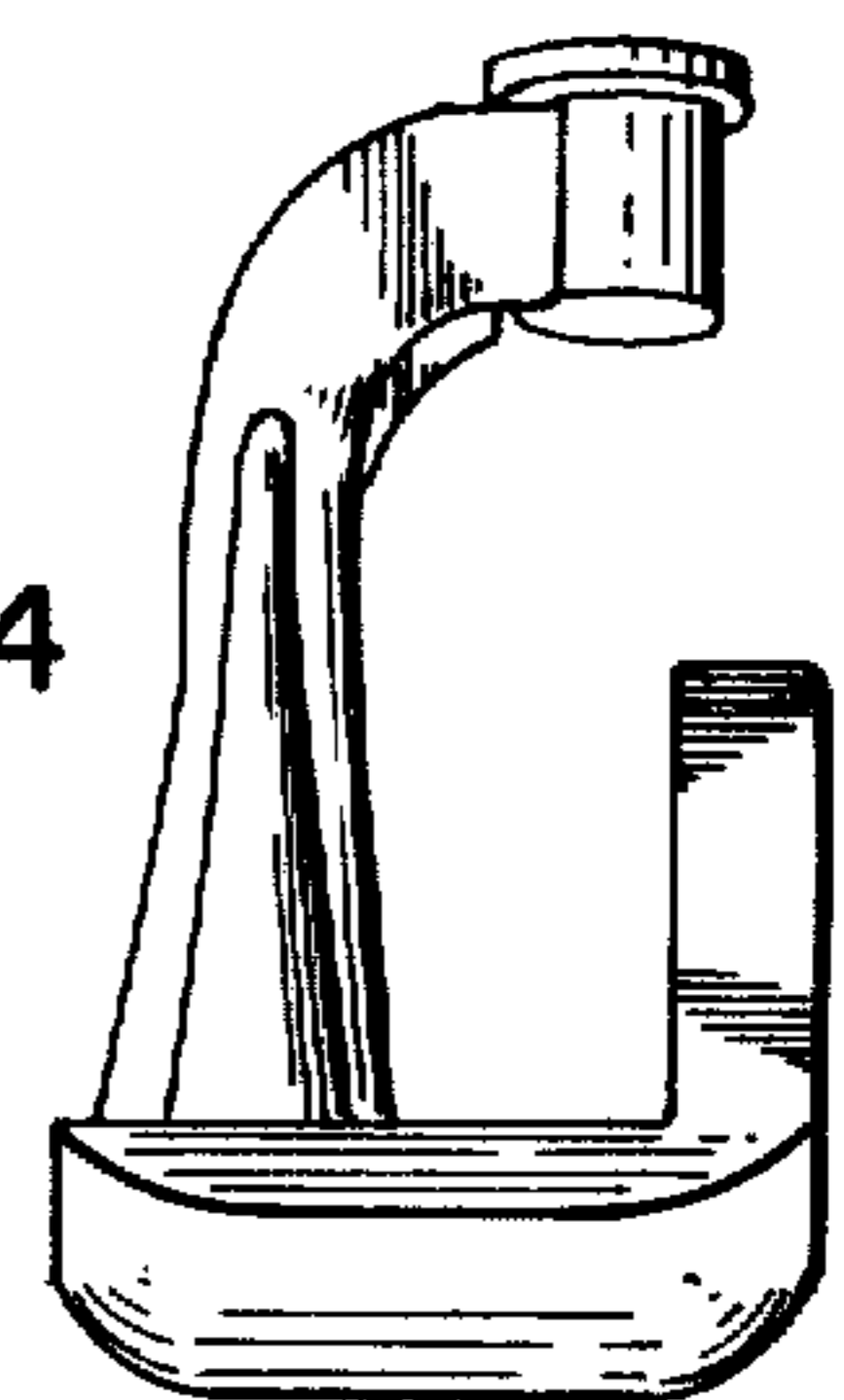


Fig. 4

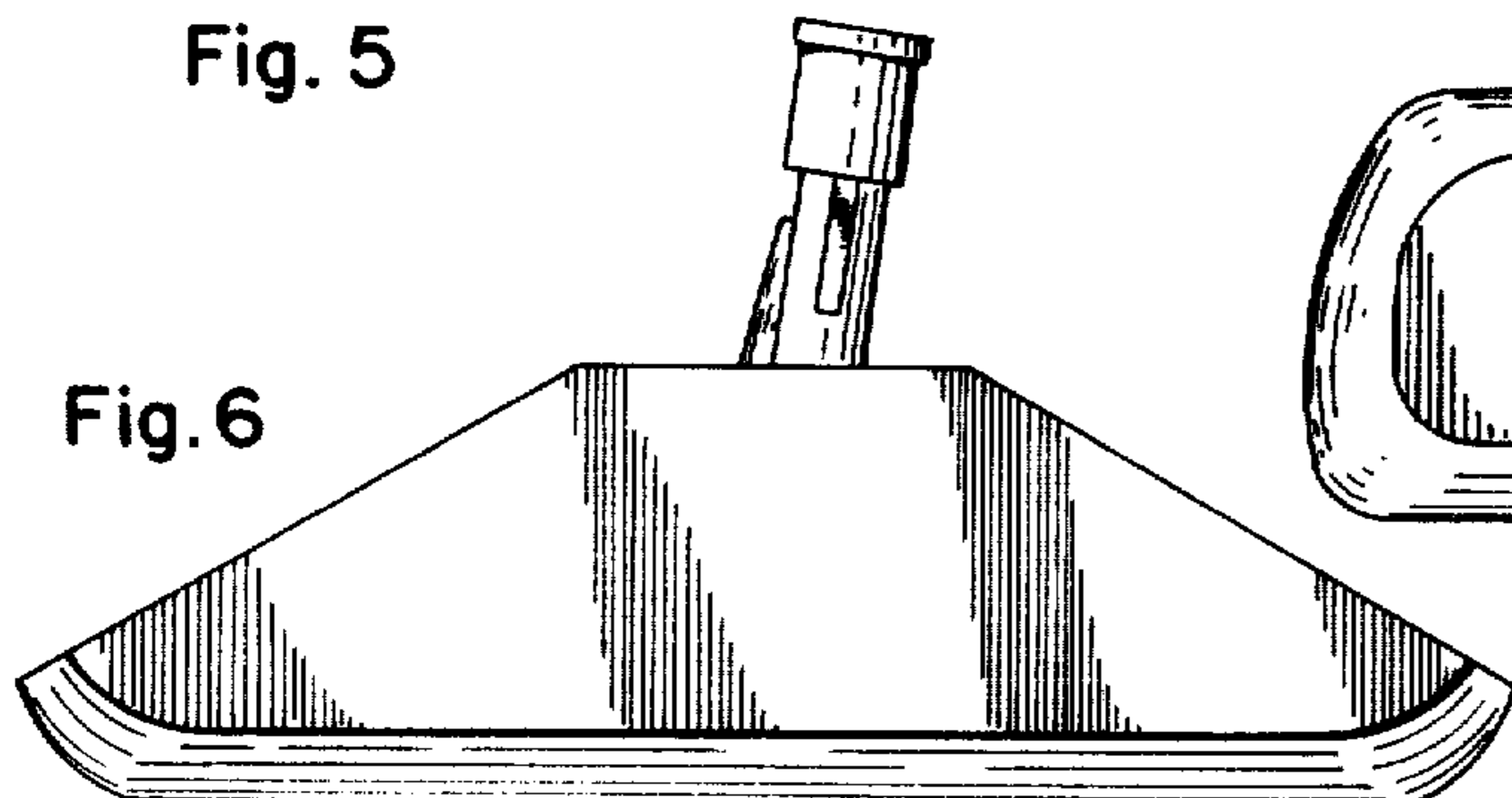


Fig. 6

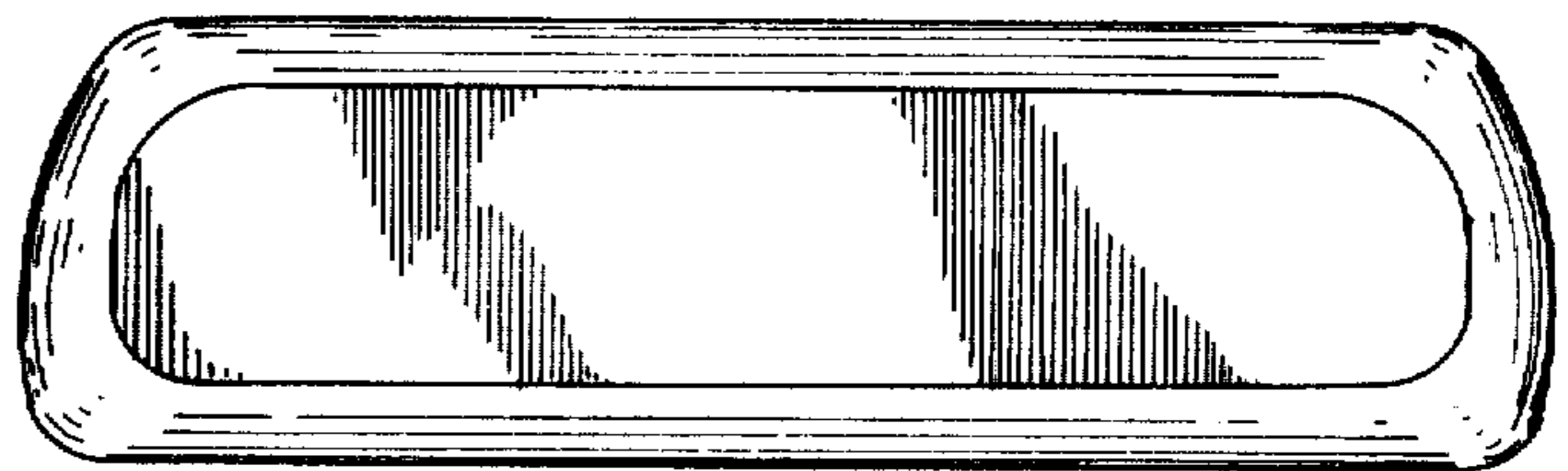


Fig. 7